

**REMEMBER:** Use only proper ammo in your gun, .177 caliber (4.5 mm) lead air gun pellets, and do not reuse shot.

### WHEN YOU HAVE FINISHED SHOOTING

One of the most important rules of proper gun handling is **NEVER STORE A LOADED GUN**. When you have finished shooting, unload your gun. The operation manual which came with your new Daisy tells you how. Before putting your gun away in a cabinet or on a rack, make sure it is clean, dry, oiled, empty and uncocked. Ammo should be stored in a separate place to keep it away from untrained shooters.



**DAISY**  
A Subsidiary of Kidde, Inc.  
**KIDDE**

PART NO. 34305

Daisy Manufacturing Company  
Rogers, Ark. 72756 U.S.A.  
In Canada: Kidde Recreation Products  
Cambridge, Ontario N1R6T4

PRINTED IN U.S.A.


AIR GUNS CRAFTED BY DAISY

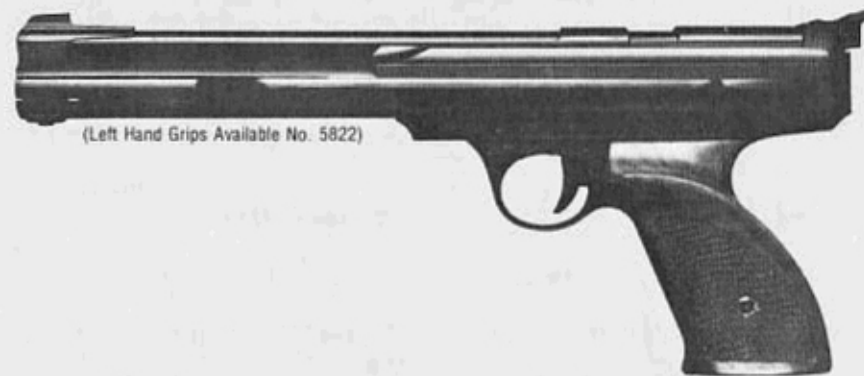
# POWER LINE<sup>®</sup>

## MODEL 717/722

*Single Pump Pneumatic*

# OPERATION MANUAL

.177 Cal. (4.5 mm) or .22 Cal. (5.5 mm) Lead Air Gun Pellets 



(Left Hand Grips Available No. 5822)

**CAUTION:** Not a toy. Adult supervision required. Misuse or careless use may cause serious injury or death. May be dangerous up to 252 yards (230 meters). See manual chart for actual shooting distance.

This is a high power air gun intended for use by those 16 years of age or older. Read all instructions before using. The purchaser or user should conform to all laws governing the purchase, use and possession of air guns.

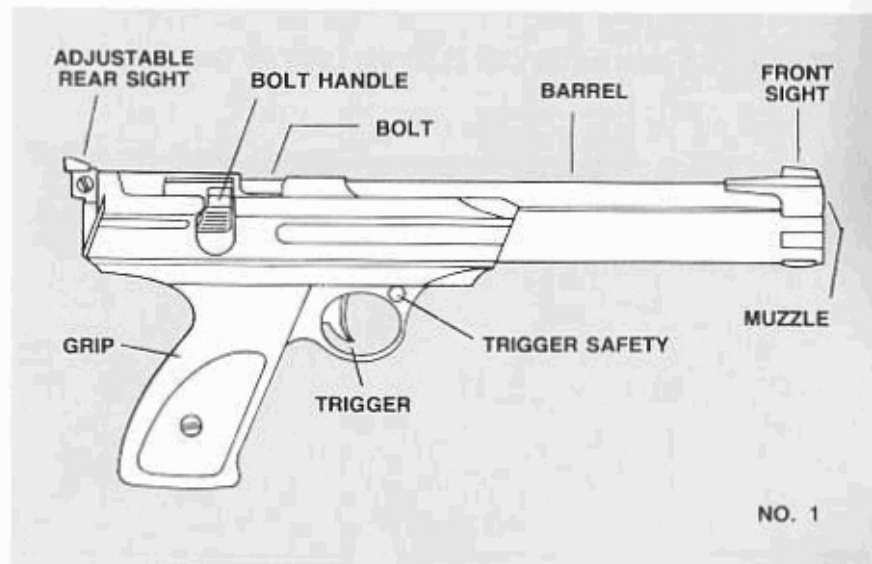
The Power Line Models 717 and 722 are powerful target air pellet pistols. They should be treated with the respect you would give any powerful gun.

The Air Pistol Shooting Guide section of this manual is important to the care and safe handling of any gun. **READ THIS SECTION.** Follow the safety rules in this section and make certain that anyone using your pistol follows the safety rules.

**FOR YOUR SAFETY AND THE SAFETY OF OTHERS, READ COMPLETE OPERATING INSTRUCTIONS BEFORE ATTEMPTING TO SHOOT THE PISTOL.**

## OPERATION STEPS

1. PUT "ON SAFE"
2. OPEN BOLT
3. PUMP
4. LOAD
5. CLOSE BOLT
6. AIM
7. TAKE "OFF SAFE"
8. FIRE



### Step 1. PUT "ON SAFE"

Push trigger safety (Drawing No. 1) from left to right until no red is showing. In this position, the pistol in proper working condition cannot be fired by pulling the trigger.

**NOTE:** The trigger safety is not automatic. It will only do its job when you do yours.

**REMEMBER, THE BEST SAFETY IS PROPER GUN HANDLING.**

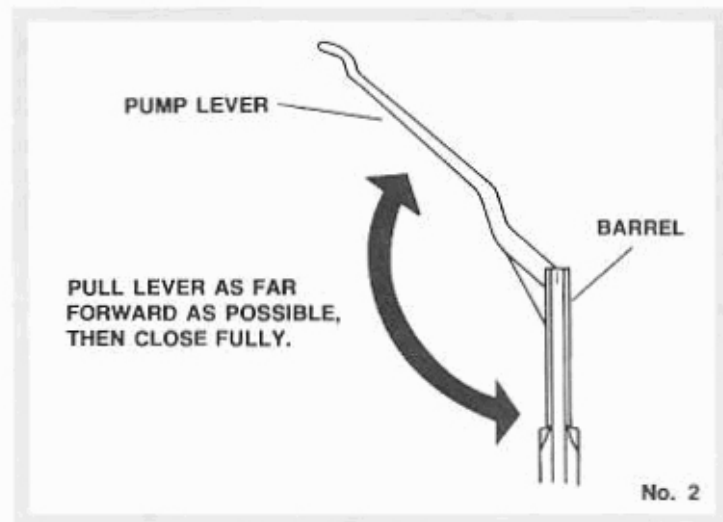
### Step 2. OPEN BOLT

Lift up and pull straight back on bolt handle (Drawing No. 1). The gun cannot fire with bolt open.

### Step 3. PUMP

With bolt open, pump gun only once to achieve maximum velocity. Any additional pumping will not increase velocity and may damage the gun (Drawing No. 2)

**CAUTION:** After gun has been pumped up once, do not attempt to pump again or open pump lever as the lever is under pressure and could fly open, possibly causing injury.



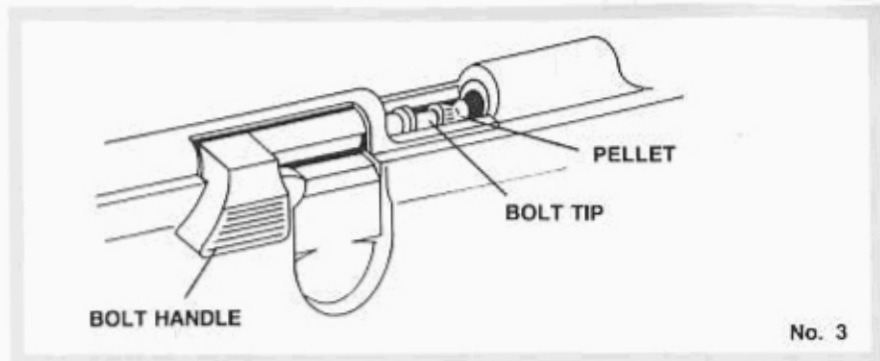
### Step 4. LOAD

With bolt back, load one pellet (solid end forward) into feed track (Drawing No. 3).

### Step 5. CLOSE BOLT

Push bolt fully forward, then push bolt handle down. The gun is now ready to fire.

**CAUTION:** It is very important that the bolt be completely closed. Never close the bolt while the trigger is being pulled. If the gun does not fire when the trigger is pulled, open the bolt by pulling the bolt handle all the way back and put "on safe" immediately, then close the bolt completely and continue to Step 6.

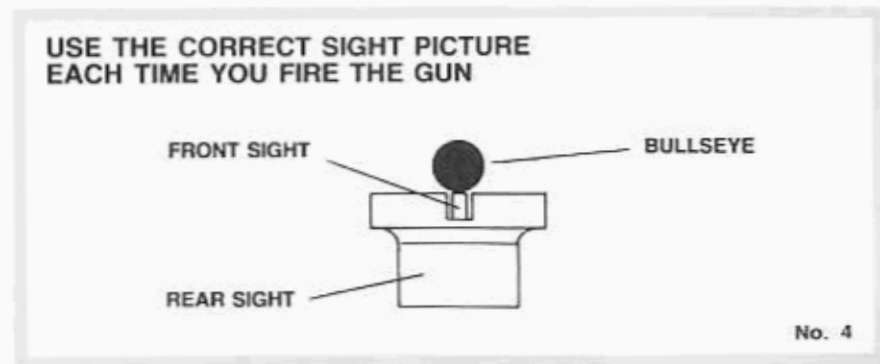


### Step 6. AIM

Point gun toward target. Pick a target backstop that cannot be penetrated. (Take final sighting after Step 7, - see Drawing No. 4 for correct sight picture).

### Step 7. TAKE "OFF SAFE"

Take trigger safety "Off Safe" by pushing from right to left so that red is showing. (Take final sighting.)



### Step 8. FIRE

The gun can be safely fired after properly completing the operating steps.

**NOTE:** Bolt must be completely closed, as indicated in Step 5.

**IMPORTANT:** Do not leave gun in pumped up condition for more than one hour or air release valve may be damaged and cause a permanent leak.

**CAUTION:** If a pellet does not fire after completing the operating steps, the gun is jammed. This is a dangerous condition.

**Open bolt at once, then repeat all operations except Step 4 (do not load pellet). If a projectile still does not fire, follow these steps carefully:**

First, open bolt.

Second, put trigger safety "on safe."

Third, clear barrel by running a size .177 cleaning rod through from the muzzle end. Be careful not to damage the bolt tip by pushing the rod through too hard.

Fourth, repeat operating steps. Make sure a pellet is fed into firing position. If after following the firing procedure the projectile is not fired, return your gun to the Service Depot.

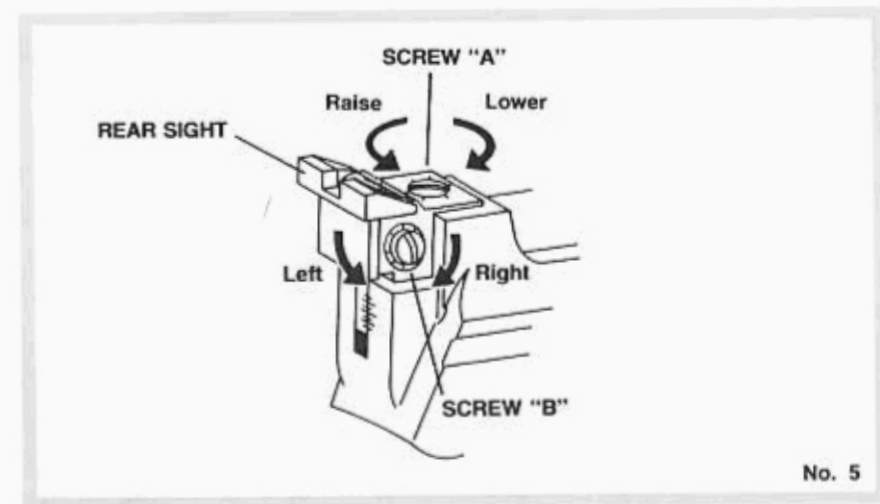
(See "Repair of Gun" section.)

### UNLOAD PELLETS:

The bolt does not extract a pellet. You must point the gun in a safe direction and fire it, or open bolt and insert a .177 cleaning rod in muzzle end and push the pellet out.

### REAR SIGHT ADJUSTMENT

**ELEVATION** (up or down). To move point of impact up, raise sight by turning screw "A" (Drawing No. 5) counterclockwise. To lower the point of impact, lower sight by turning screw "A" clockwise.



**WINDAGE** (right or left). To move point of impact left, move the sight left by turning screw "B" (Drawing No. 5) counterclockwise. To move sight to the right, turn screw "B" clockwise.

**NOTE:** At 15 ft., one revolution of adjusting screw "A" or "B" will move the point of impact .353 inch (approximately 23/64 inch.)

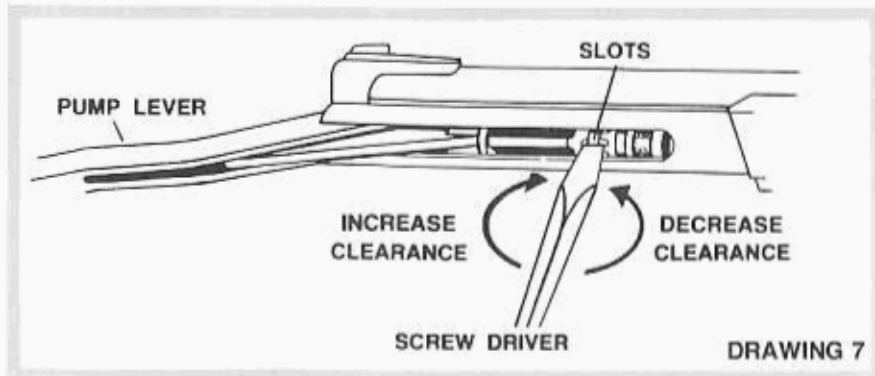
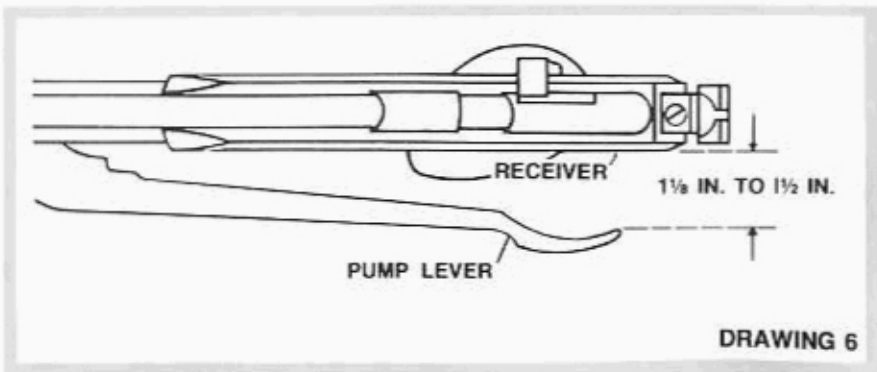
At 33 ft., one revolution of adjusting screws will move point of impact .777 inch (approximately 23/32 inch).

## PUMP ADJUSTMENT

**IMPORTANT:** After several thousand shots, the length of the pump lever stroke may need adjustment to maintain maximum performance. To check and make needed adjustments, follow these steps:

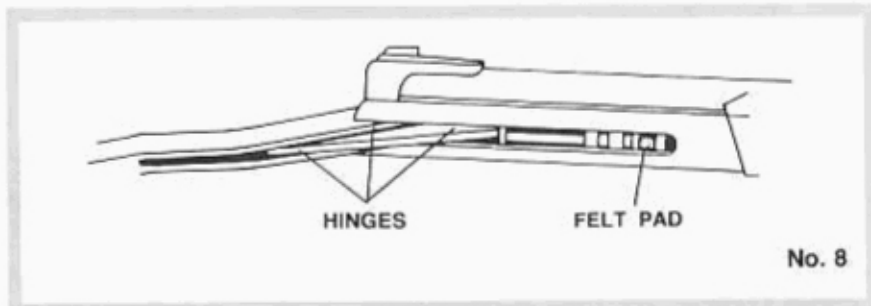
1. After firing the gun, open the pump lever and close to the point where a slight resistance can be felt.
2. Measure the distance between the receiver and end of the pump lever as shown in Drawing 6. This dimension should be between 1 1/8 and 1 1/2 inches. If the clearance dimension on your gun is within this range, no adjustment is required. If the clearance dimension is not within this range, proceed to Step 3.
3. With the pump lever in the fully open position, place a screwdriver with a large blade between slots in the threaded portion of the pump. See drawing 7.
  - a) To increase the pump lever clearance, rotate the screwdriver clockwise.
  - b) To decrease the pump lever clearance, rotate the screwdriver counterclockwise.

**CAUTION:** Adjusting the pump lever to a clearance dimension larger than 1 1/2 inches will overstress the gun and will result in permanent damage to the gun. Maximum performance will be achieved by adjusting the clearance as specified in Step 2.



## PROPER CARE

To maintain top shooting performance, lightly oil the three pumping lever hinges and felt pad on the pump rod every 1,000 shots (Drawing No. 8). Excessive oil on felt wiper will affect accuracy. Use only a 20 weight oil. Other type oils may ruin the seals. The exterior is cleaned by wiping with a soft, clean cloth. The screws are a gun blue finish; wipe with oil to prevent rust.



## STORAGE

Before putting the gun away in a cabinet or gun rack, make sure it is empty and "On Safe," clean, dry and oiled.

To make the gun completely safe, shoot the gun at a safe target to make sure the pump system and barrel are empty and place the trigger safety "On Safe." Store ammunition in a separate location away from the storage area of the gun.

## MODIFICATION - CAUTION:

The components of this gun were engineered to deliver optimum performance. Any modification or tampering with a gun may cause a malfunction and may make it unsafe to use. Any change in performance, such as lowered trigger force and shortened trigger travel, indicates possible wear, and such should be inspected, replaced, or properly repaired by qualified personnel. Any gun that has been dropped should be checked by qualified personnel to insure that its function has not been affected.

## REPAIR OF DAISY GUNS

**WARNING:** A GUN THAT IS NOT OPERATING PROPERLY MAY BE DANGEROUS. IT SHOULD BE KEPT SAFELY FROM USE BY ANYONE UNTIL REPAIRED OR DESTROYED. DO NOT TRY TO TAKE THE GUN APART. IT IS DIFFICULT TO REASSEMBLE, AND IMPROPER REASSEMBLY CAN CAUSE A HAZARDOUS CONDITION.

## GUNS IN WARRANTY

### LIMITED ONE YEAR WARRANTY

For one year from date of purchase, Daisy will repair or replace and return this gun, free of charge, if defective in material or workmanship. Service is available by returning the gun to Daisy Manufacturing Co. Attach to the gun your name, address and telephone number, description of problem and proof of date of retail purchase (sales slip). Package and send to Daisy Manufacturing Co., transportation prepaid. This Warranty gives you specific legal rights, and you may also have other rights which vary from state to state.

## GUNS OUT OF WARRANTY

If your Daisy needs repair, attach to the gun your name, address, and description of problem. Package and send transportation prepaid to Daisy Manufacturing Co. Service Department. Daisy will repair the gun or replace it with a reconditioned gun of the same model, if available, otherwise with a model of equivalent quality. A charge of \$22.00 will be made for repairing or replacing your gun.

Any gun should be accompanied by check or money order (not cash) in payment of the charge. If payment is not included, you will be invoiced for the charges plus a handling charge of \$4.00, and upon receipt of payment the gun will be shipped to you.

# AIR RIFLE SHOOTERS PERSONAL LOG BOOK



To qualify, shoot a minimum of 2,500 rounds, no more than 50 in any one day, on a 33-foot range.

The qualifying standards of the Presidential Sports Award are designed to assure regularity of participation and an investment of time and effort conducive to physical fitness for those 15 years or older. Qualification is based on 50 hours of participation, spread over at least 50 activity sessions, within a period of four months. Concessions will be made only in sports where seasons may be short or access to facilities limited. In such cases, the 50 hours of required activity may be accomplished in fewer than 50 sessions.

Before undertaking any physical activity program, you should take a thorough medical examination. This is especially important for persons over 40, or for anyone who has not been physically active on a regular basis.

### EARN THESE AWARDS—

Official emblem shoulder patch in red/white/blue/gold.  
..... also a red/white/blue/gold pin and a certificate suitable for framing.

I hereby affirm that I have fulfilled all of the requirements for the Presidential Sports Award in air rifle shooting.

(Signature) \_\_\_\_\_

AGE (Check one)

15-17     35-44     65 & over  
 18-25     45-54  
 26-34     55-64

SEX

Male  
 Female

PLEASE PRINT NAME, ADDRESS CLEARLY

YOUR NAME: \_\_\_\_\_

STREET: \_\_\_\_\_

CITY: \_\_\_\_\_ STATE: \_\_\_\_\_ ZIP: \_\_\_\_\_

To receive your Presidential Sports Award certificate, shoulder patch emblem and pin, enclose \$4 check or money order with signed completed log book and mail to

PRESIDENTIAL SPORTS AWARD  
P.O. BOX 9800, ENGLEWOOD, NEW JERSEY 07631

Make check or money order payable to Presidential Sports Award.

## WARRANTY VALIDATION CARD

Please complete and return this information card to validate your warranty.

Model No. \_\_\_\_\_ Lot No. on Barrel \_\_\_\_\_

Date of Purchase \_\_\_\_\_ Age of Purchaser \_\_\_\_\_  
Month Day Year

1. \_\_\_\_\_ Mr. 2. \_\_\_\_\_ Mrs. 3. \_\_\_\_\_ Ms. 4. \_\_\_\_\_ Miss Age of User \_\_\_\_\_

Name (first/initial/last) \_\_\_\_\_

Street \_\_\_\_\_

City \_\_\_\_\_ State \_\_\_\_\_ Zip \_\_\_\_\_

### A. How did you receive your Daisy gun?

1.  Purchase for personal use
2.  Purchase for family use
3.  Gift from Husband
4.  Gift from Wife
5.  Gift from son/daughter
6.  Gift from mother/father
7.  Gift from other relative
8.  Gift from friend

### B. How many air guns did you have prior to owning this Daisy gun? Number \_\_\_\_\_

### C. Who else was involved in the decision to purchase this Daisy gun?

1.  Husband
2.  Wife
3.  Son/Daughter
4.  Mother/Father
5.  Friend
6.  No one else was involved in my decision
7.  I received it as a gift

### D. What influenced you to buy this Daisy gun?

1.  Newspaper ad
2.  Magazine ad
3.  Comic book ad
4.  Store catalog
5.  Display at store
6.  Parent
7.  Friend
8.  Owned one before

### E. Where was your Daisy gun purchased?

1.  Department Store
2.  Hardware Store
3.  Auto Supply Store
4.  Sporting Goods Store
5.  Discount Store
6.  Mail Order Catalog

### F. What influenced your selection of this Daisy gun?

1.  Brand name
2.  Features
3.  Price
4.  Warranty
5.  Dealer recommendation
6.  Advertising
7.  Power

### If this purchase was a Daisy Power Line product, please check the following:

### G. Which group best describes your family income?

1.  Under \$10,000
2.  \$10,000 - 14,000
3.  \$15,000 - 19,999
4.  \$20,000 - 24,999
5.  \$25,000 - 29,999
6.  \$30,000 - 39,999
7.  \$40,000 - 49,999
8.  \$50,000 & over

### H. For your primary residence, do you —

1.  Own a house
2.  Rent a house
3.  Rent an apartment

### I. What is your occupation (check one)

1.  Professional/Technical
2.  Upper Mgt./Administrative
3.  Sales Service/Middle Mgt.
4.  Clerical/White Collar
5.  Craftsman/Blue Collar
6.  Student
7.  Housewife
8.  Retired
9.  Other

This is your Daisy Warranty Card. Please fill out and mail immediately.

Date	PERFORMANCE ENTRY			Initials	Date	PERFORMANCE ENTRY			Initials	Date	PERFORMANCE ENTRY			Initials
	Range	No. of Rounds	Time			Range	No. of Rounds	Time			Range	No. of Rounds	Time	

Write to Daisy for additional copies of this log book.



Daisy Manufacturing Company  
 Rogers, Ark. 72716 U.S.A.  
 In Canada: Kidde Recreation Products  
 Cambridge, Ontario N1R6T4

PLACE  
STAMP  
HERE

DAISY MANUFACTURING CO.  
BOX 220  
ROGERS, AR. 72756

Exploded gun parts drawings and price lists are available from Daisy Service Department. Please make sure you state model number stamped on barrel. Service and parts charges are subject to change without notice.

Daisy Manufacturing Co.  
Service Department  
P.O. Box 220  
Rogers, AR 72756

**NOTE:** Daisy spring air-powered B•B guns and pistols do not come under the provisions of the "Gun Control Act of 1968" and can be mailed.

#### MODEL 717/722 PISTOL SPECIFICATIONS

AMMUNITION	.177 Cal. (4.5 mm) - .22 Cal. (5.5 mm) Lead Pellets
STYLE	Custom Target
ACTION	Single Pump Pneumatic
CALIBER	.177 Cal. (4.5 mm) or .22 Cal. (5.5 mm)
FEED	Single Shot Bolt Action
MAXIMUM PUMP FORCE	17 lbs. (75.6 N)
REAR SIGHT	Micrometer Elevation & Windage Adjustments
SIGHT RADIUS	12.75 in. (32.39 cm)
WEIGHT	2.8 lb. (1.3 kg)
BARREL	.177 Cal. or .22 Cal. Rifled, 9.61 in. long (24.41 cm)
TRIGGER TRAVEL	.10 in. (.25 cm)
TRIGGER PULL FORCE	4.5 lb. (20.0 N)
TARGET DISTANCE	33 ft. (10 m)
VELOCITY	.177 Cal. - 360 fps (110 mps)/.22 Cal. - 290 fps (88 mps)
MUZZLE ENERGY	.177 Cal. - 2.1 ft. lb. (2.8 J)/.22 Cal. - 2.6 ft. lb. (3.5 J)
MAXIMUM RANGE	.177 Cal. - 175 yds. (160 m)/.22 Cal. - 257 yds. (230 m)

# AIR PISTOL SHOOTING GUIDE

An introduction to  
a lifetime sport.

Although not a firearm, a Daisy is a gun and not a toy. Properly used and maintained, it will provide many hours of safe, trouble free recreational shooting. Misused, it can be dangerous. Therefore, we recommend it be used only by those 16 years of age or older.

Safe gun handling depends upon proper safety training and the right attitude toward gun ownership. This booklet is designed to cover the basic facts everyone should understand before shooting a gun. Take time to study it thoroughly. A proper understanding of these basics will greatly increase your enjoyment of the lifetime sport of recreational air pistol shooting, and at the same time give you the satisfaction of preparing yourself as a skilled shooter.

Read this book in conjunction with the operation manual. It tells you how to handle your new air pistol properly and how to prepare the proper shooting range. And remember, it's your responsibility as an air pistol owner to make certain that anyone using it is instructed in the rules of proper gun handling.

A majority of air gun accidents in this country are caused by - 1) careless and improper handling of the gun, 2) believing the gun to be empty when it isn't, or 3) shooting at improper targets. All three causes can be avoided if the shooter handles the gun properly.

## THE RULES OF PROPER GUN HANDLING

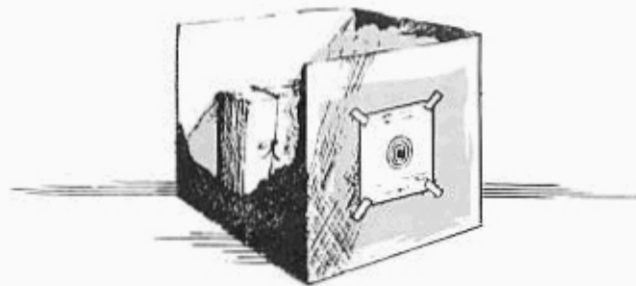
1. Treat every gun as if it were loaded and ready to shoot.
2. **Never** carry a loaded or cocked gun into your home, camp, or public place. (Shooting your Daisy indoors may be enjoyed when proper range facilities and adult supervision are available.)
3. Always be sure the barrel is clean and not plugged.
4. Carry your Daisy so that you can control the direction of the muzzle, even if you stumble.
5. Be sure of your target before you shoot. The only time you put your finger on the trigger is when you are aiming at a safe target.
6. **Never** point a gun at anyone. **Never** point a gun at anything you do not want to shoot. **Never** point your Daisy at any living thing.
7. **Never** climb a fence or a tree, or jump a ditch, with a loaded gun.
8. Avoid ricochet; never shoot at a flat, hard surface, or at the surface of water.
9. Guns not being used should always be unloaded and properly stored.
10. Always respect other people's property.

It is also very important for you to remember that any time you receive a gun from anyone, or take a gun from its storage place, you should make sure it's unloaded and uncocked.

**Never** look into the muzzle of your air gun. You can't tell by looking if your gun is loaded, so always treat it as if it were.

## WHERE TO SHOOT AND AT WHAT

Setting up a safe target arrangement is the first order of business. You can make your own safe target backstop. First, take a corrugated cardboard box 12 inches or more deep with at least 18" x 18" of front surface. Center 3" of tightly bound magazines on the inside back wall of the box opposite where the target will be located and fill it with tightly packed, crumpled newspaper. Paper targets should be taped (not tacked or stapled because of the possibility of ricochet), to the front of the box.





**CAUTION:** It is important to remember that **backstops will wear out** with continued use. It is good practice to check your backstop before every shooting session. Always position your target backstop so if it should fail, the B•B will not injure anyone or damage property. Check your target backstop carefully before and after each use.

A rebound or ricochet is an indication that the backstop is faulty and you should stop using it immediately.

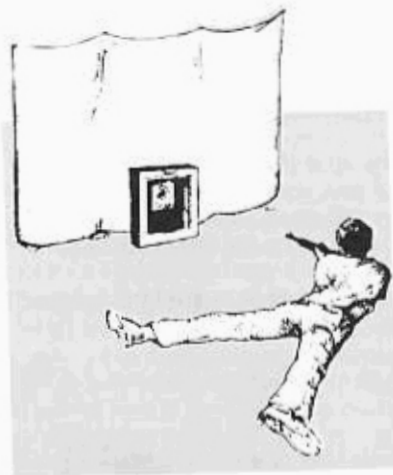
## INDOOR SHOOTING

Yes, your Daisy is **safe** for indoor shooting as long as you observe the proper safety rules.

First, you need about 9 to 12 feet from the firing line to the target.

Second, you must have a safe target placed so there are no entry ways in front of the firing line or behind the targets. If this is not possible, then doorways in the areas should be blocked. Third, you should have a canvas or blanket behind the target which hangs free from the wall and clears the floor. This will prevent ricochet should you miss the target. Finally, your target should be well lighted.

Remember to keep your Daisy unloaded until the target is set up and you are ready to shoot. **Never** point it in any direction except toward the target.



## OUTDOOR SHOOTING

Your Daisy is a target-plinking air pistol; it's not designed for hunting but it allows you to sharpen your shooting skills. You can still have outdoor fun with it; in fact, outdoor shooting is a great way for a family to get together for some real family fun and competition.

When carrying your Daisy outdoors, always be sure you know where your companions are before you shoot. Make sure they're clear of the target.

## HOW TO BECOME AN EXPERT MARKSMAN

If you learn the techniques, and practice regularly, you can become a marksman with your Daisy Air Pistol. Marksmanship will provide you with a lot of enjoyment all your life.

### AIMING (OR SIGHTING)

The trick in aiming is holding the proper sight picture. First, because your eyes can't focus on three things at once, concentrate your focus on the middle object which will be the front sight. This will allow you to see the rear sight and the bullseye fairly well. Next, the front sight should be centered within the rear sights notch and the same height. The bullseye should look like a black ball sitting above the front sight blade.

Try sighting. Then check what you see against the sight pictures.

To be a consistent marksman, use the correct sight picture each time you fire the gun.



TOO HIGH



TOO LOW



JUST RIGHT

### STANCE AND GRIP

To get into the formal one-hand shooting stance, your body should be facing almost a ¼ turn to the left of the target. (Left hand shooters should reverse the procedure.) The arm should be fully extended, but not strained, and the elbow locked. Your feet should be placed about as far apart as your shoulders are wide. The shoulders, right arm and pistol should be in a straight line.

The left arm should be totally relaxed. Let it hang at your side. Put your hand in your pocket, or hook your thumb over your belt, whichever feels more comfortable.

The grip should be firm but relaxed. Don't apply any pressure with the thumb or trigger finger to the side of the pistol. The trigger finger should just lay across the trigger at or near the first joint.

## TRIGGER AND BREATH CONTROL

When you get right down to it, trigger control is simply knowing your gun. Get your sights in line. The moment you have the proper sight picture, squeeze the trigger. Never jerk the trigger or you will ruin your aim. To do this, you must know your gun well enough to exert enough pressure on the trigger to where it's just short of firing the gun. Then at the exact instant you wish, the trigger can be squeezed with as little disturbance to the sight picture as possible.

Trigger control comes only with practice. Keep trying, you'll get it down to an art.

Breathing at the wrong moment can cause your body to move and your aim to go astray. So breathe properly.

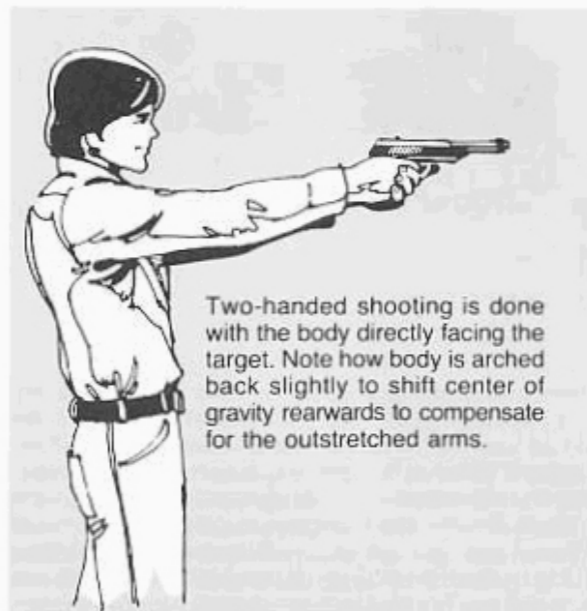
Prior to raising the gun to the shooting position, inhale deeply, then exhale partially with arm in shooting position. Hold the remaining breath until shot is fired.

If after about 7 or 8 seconds you haven't got the shot off, cock your arm back 90 degrees (muzzle up), relax and breathe normally for a few seconds, then take your "aiming breath" and try again.

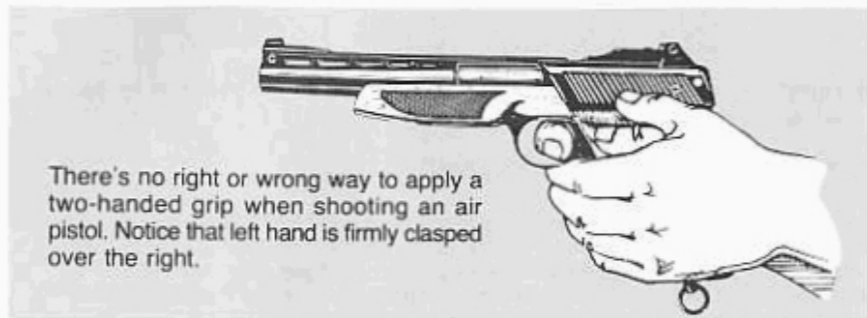


## GETTING THE MOST ACCURACY

Of all the possible ways to hold a handgun, the formal one-hand style talked about earlier is the most difficult. Since the better we are at something, the more we can enjoy it, let's look at other styles of handgun shooting that are more accurate and more fun.



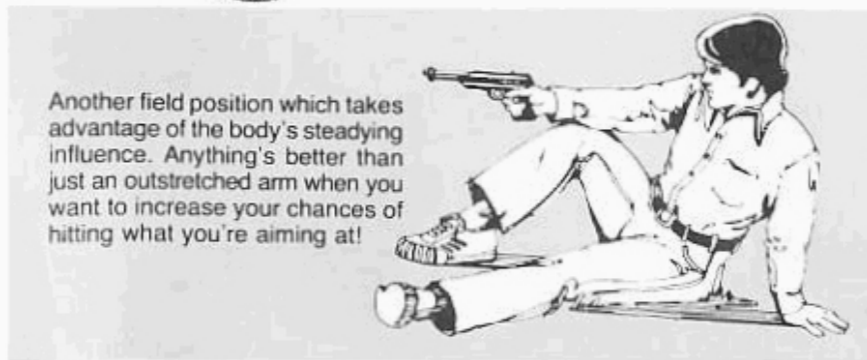
Two-handed shooting is done with the body directly facing the target. Note how body is arched back slightly to shift center of gravity rearwards to compensate for the outstretched arms.



There's no right or wrong way to apply a two-handed grip when shooting an air pistol. Notice that left hand is firmly clasped over the right.



Shown here is the steadiest of all hand gunning positions short of an artificial rest. Back is fully supported, while firmly-planted feet lend support to arms via the knees.



Another field position which takes advantage of the body's steadying influence. Anything's better than just an outstretched arm when you want to increase your chances of hitting what you're aiming at!

## GETTING THE MOST OUT OF YOUR NEW POWER LINE PISTOL TO REACH OPTIMUM ACCURACY, it may be necessary to shoot from fifty to one hundred pellets through your new gun.

There are a number of other variables which can affect the shooting performance of quality pneumatic pistol. Listed below are a few of the more common ones, along with some helpful hints that will increase your shooting enjoyment.

1. If the gun is to be stored for a period of time, a light coat of oil in the barrel must be applied to prevent corrosion and oxidation.
2. After the rear sight is adjusted, shoot the gun at least three times to test for accuracy. Do not lay the pistol on its rear sight or touch the rear sight during or between groups of shots.
3. The barrel must be clean and dry if accuracy is to be maintained. It is suggested that a clean, dry patch be run through the barrel until foreign material is removed.
4. The pump system oil wick should not be excessively oiled, but the finger should pick up a light oil film when the wick is touched. An occasional drop of oil on the exposed pump "O"-ring and the three pump system hinge points will help maintain a proper pump seal and minimize wear.
5. FOR BEST ACCURACY, USE DAISY INTERNATIONAL MATCH PELLETS. PROPER PELLET SIZE IS A KEY FACTOR IN SUCCESSFUL TARGET SHOOTING.  
Example: The nose diameter of the pellet must be large enough to be uniformly engraved around its full circumference by the grooves in the barrel rifling. The barrel/pellet compatibility can be checked by measuring the barrel inside diameter and comparing with the pellet head diameter. The pellet head should be approximately 0.002 to 0.004 inch larger than the barrel. An alternate method of checking barrel/pellet compatibility is to place a pellet in the barrel at either the breech or muzzle end and slowly push the pellet through the barrel with a slant rod. The nose and skirt of the pellet can then be visually examined for engraving.

**DAISY**  
S—Boundary of Kidde, Inc.

**KIDDE**

**DAISY MANUFACTURING CO.**  
Box 220, Rogers, Ark. 72756 U.S.A.