



LEGACY™
by **Daisy®**

MODEL 2201/2211

*.22 CAL. BOLT ACTION SINGLE-SHOT
FIREARM*

OPERATION MANUAL



Shoots: .22 cal. Short, Long or Long Rifle cartridges

**READ THE INSTRUCTIONS AND WARNINGS
IN THIS MANUAL CAREFULLY
BEFORE USING THIS FIREARM.**

THIS INSTRUCTION MANUAL SHOULD ALWAYS ACCOMPANY THIS FIREARM AND BE TRANSFERRED WITH IT UPON CHANGE OF OWNERSHIP, OR WHEN THE FIREARM IS LOANED OR PRESENTED TO ANOTHER PERSON.

⚠ WARNING: THIS IS A .22 CAL. RIFLE. THIS IS A FIREARM. MISUSE OR CARELESS USE MAY CAUSE SERIOUS INJURY OR DEATH. MAY BE DANGEROUS UP TO 1½ MILES (2.42 KILOMETERS). READ ALL INSTRUCTIONS BEFORE USING. THE PURCHASER AND USER SHALL CONFORM TO ALL LAWS GOVERNING THE USE AND OWNERSHIP OF FIREARMS.

RECOMMENDED FOR USE UNDER ADULT SUPERVISION.

IMPORTANT CUSTOMER INFORMATION

Dear Customer:

Thank you for purchasing a new Daisy product. Our people go to great effort to ensure the quality of each product before it leaves the factory. It is important you read the enclosed instructions carefully. Should you experience any difficulty with the operation of the product, or the instructions, please call our toll free CUSTOMER SERVICE line 1-800-345-4326, during our office hours, 8am-5pm CST. Arkansas residents call collect 1-636-1200. Ask for CUSTOMER SERVICE. We want you to be fully satisfied with your new Daisy product.

"DAISY," OVER 100 YEARS OF PROUD TRADITION.

NOTE: All references to Model 2201 apply to all models unless specifically noted.

TABLE OF CONTENTS	PAGE
DAISY'S RULES FOR GUN SAFETY.....	3
BEFORE YOU USE THIS FIREARM.....	4
MODEL 2201 SPECIFICATIONS.....	5
AMMUNITION.....	5
HOW TO OPERATE.....	6
HOW TO UNLOAD.....	9
FEATURES.....	10
REMOVABLE TRIGGER HOUSING AND BOLT.....	10
REPLACING TRIGGER HOUSING & BOLT.....	11
REMOVABLE BARREL.....	11
ADJUST LENGTH OF STOCK (MODEL 2201 ONLY).....	12
MALFUNCTIONS.....	12
SIGHTING THE RIFLE.....	13
CLEANING.....	14
STORAGE.....	14
MODIFICATION.....	15
REPAIR.....	15

! WARNING: THIS GUN CAN CAUSE DEATH. READ AND FOLLOW THE INSTRUCTIONS CAREFULLY. DO NOT LOAD A CARTRIDGE INTO THE CHAMBER UNTIL YOU ARE READY TO SHOOT. IF YOU DO LOAD A CARTRIDGE AND DECIDE NOT TO SHOOT, PROMPTLY OPEN THE BOLT AND UNLOAD IT. AN UNCOCKED, UNLOADED GUN IS SAFEST. ACCIDENTS HAPPEN FAST AND ACCIDENTALLY INJURING OR KILLING SOMEONE IS A TERRIBLE THING. SHOOT SAFELY.

! This safety alert symbol indicates important safety messages in this manual. When you see this symbol, be alert to the possibility of personal injury and carefully read the message that follows.

DAISY'S RULES FOR GUN SAFETY

1. Handle every gun as you would if it were cocked, loaded and ready to fire.
2. Keep the safety "ON SAFE" until you are ready to shoot.
3. Be sure of your target before you shoot.
4. Before target shooting, be sure you have an adequate backstop. Remember, all .22 rimfire ammunition is dangerous at ranges up to 1½ miles.
5. Never point a gun at anything you don't intend to shoot.
6. Always wear protective glasses when shooting and wear hearing protection when target shooting.
7. Use only ammunition of the correct caliber, size and bullet shape, and do not use modified, damaged, or dirty ammunition.
8. Avoid ricochets by never shooting at water, or any hard surfaces.
9. Be sure no one is in the path of ejecting shells.
10. Never climb or jump over an obstacle or climb a tree or fence with a loaded gun.
11. Never pull a gun toward you by the muzzle.
12. Avoid alcoholic beverages before and during shooting.
13. Never use a gun that fails to function properly. Do not try to force a jammed action.
14. Be sure to keep the barrel and mechanism free of obstructions.
15. Before cleaning, be sure the chamber, action and magazine are completely unloaded.
16. Always unload a gun before leaving it unattended and before leaving a hunting area or target range.
17. Never enter a dwelling or motor vehicle with a loaded gun.
18. Store guns and ammunition separately, under lock and key, and beyond the reach of children.
19. Learn the mechanical and handling characteristics of this firearm.

! WARNING: Failure to follow the above rules, or other instructions in this manual, can result in personal injury or death. This gun is recommended for use under adult supervision.

! WARNING: Keep barrel lock nut tight at all times.

! WARNING: Always keep the muzzle of the rifle pointed in a safe direction in case of accidental discharge regardless of the position of the safety.

! WARNING: If the gun fails to fire after following the operating instructions, keep the rifle pointed in a safe direction. Remain in the shooting position for at least 10 seconds, then open the bolt to remove the unfired cartridge.

! WARNING: Do NOT touch the trigger until you are actually ready to fire the rifle.

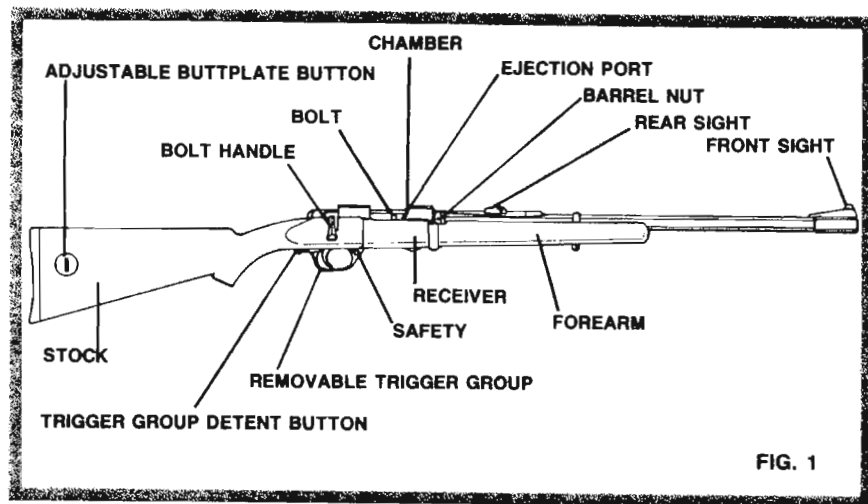
! WARNING: In the event that you decide not to shoot after the trigger has been partially pulled, keep the gun pointed in a safe direction, put the safety "ON," and re-engage the firing mechanism fully by opening and closing the bolt.

BEFORE YOU USE THIS FIREARM

! WARNING: While the Daisy Model 2201 does have a separate safety, and the trigger is blocked from movement, a safety is a mechanical device subject to wear and breakage. Handle this gun in a safe manner at all times. Treat this gun as if it were loaded and ready to fire.

The "DAISY RULES FOR GUN SAFETY" begins on page 3 and tells about the rules of shooting safely. READ THIS SECTION CAREFULLY. Follow the safety rules and make certain that anyone using your gun does.

Your new Daisy .22 is a firearm and should be treated with care and respect. Always remember, the first and most important safety aspect of any gun is the shooter. All safeties are mechanical devices and the shooter is the only part of the system that can make a gun safe—or unsafe. DON'T DEPEND ON MECHANICAL SAFETIES; think ahead and avoid situations that might lead to accidents.



MODEL 2201 SPECIFICATIONS		
ACTION	Bolt action single-shot	
CALIBER/AMMUNITION	.22 cal. short, long or long rifle	
OVERALL LENGTH	34.5 in. (87.75cm)	
WEIGHT	5 lb. (2.26kg) approx.	
RANGE	Up to 1½ miles (2.42 kilometers)	
BARREL	19 in. (48.3cm), rifled steel	
SAFETY	Sliding trigger block	
STOCK	2201	Copolymer stock with adjustable buttplate
	2211	Solid hardwood

AMMUNITION

The Daisy 2201 is chambered for, and designed to properly function as a single-shot rifle with the .22 caliber Short, Long or Long Rifle rimfire cartridge, either standard, high velocity, or hyper-velocity, manufactured to industry standards. It should be noted though that extensive use of the .22 Short cartridge can cause a "ring" to be cut in the chamber which may interfere with the extraction of Long Rifle cartridges. .22 Long Rifle SHOT cartridges can also be fired in the Model 2201 rifle.

Ruptured caseheads may occur in firearms of this caliber. This is one of the reasons for always wearing shooting glasses. Firearms may be damaged, and death or serious injury to the shooter or other persons may result, from any condition which contributes to the generation of excessive pressure, or the uncontrolled release of gas, within a firearm. Adverse conditions can be caused by bore or chamber obstructions, powder overloads, defective, incorrect, or improperly loaded cartridges.

AMMUNITION (CARTRIDGES) NOTICE

WE SPECIFICALLY DISCLAIM RESPONSIBILITY FOR ANY DAMAGE OR INJURY RESULTING FROM THE USE OF FAULTY, NON-STANDARD, "REMANUFACTURED," HAND LOADED (RELOADED) AMMUNITION, OR OF CARTRIDGES OTHER THAN THOSE FOR WHICH THIS FIREARM WAS INTENDED.

HOW TO OPERATE:

Read the following operating instructions and WITHOUT LOADING A CARTRIDGE, proceed several times through the operating steps with your gun so that you will be able to operate the DAISY .22 rifle properly and safely.

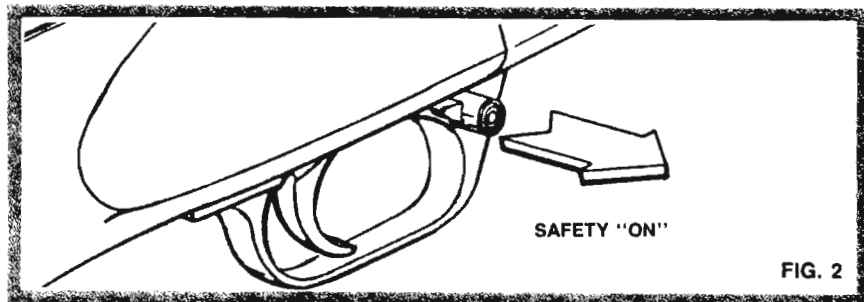
! WARNING: Be certain gun is always pointed in a safe direction.

Step 1. PUT "ON" SAFETY
Step 2. OPEN BOLT
Step 3. LOAD
Step 4. CLOSE BOLT

Step 5. AIM AT A SAFE TARGET
Step 6. TAKE "OFF" SAFETY
Step 7. FIRE

Step 1. PUT "ON" SAFETY

Push the safety "ON," no red band showing (see Fig. 2). It is a recommended practice to get into the habit of always keeping the safety "ON" until actually ready to fire the gun. Do not touch the trigger while moving the safety.



! WARNING: Always keep the gun pointed in a safe direction. Do NOT carry the rifle in the loaded and cocked condition with the safety off. The safety is in the "OFF" position if the red band on the safety is visible.

Step 2. OPEN BOLT

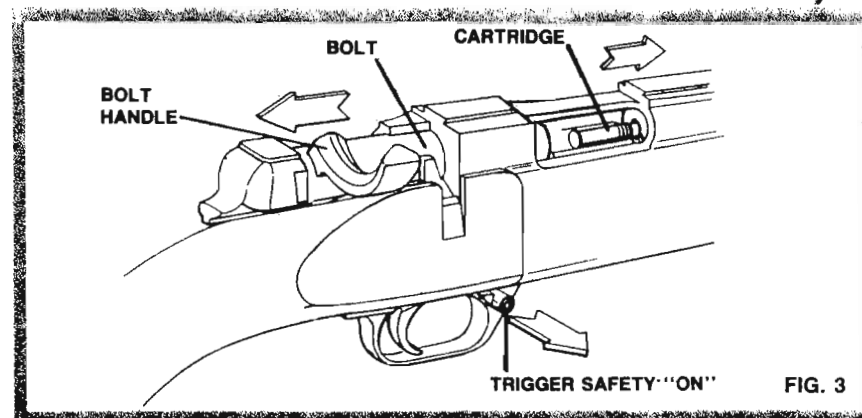
Rotate the bolt handle upward counterclockwise about 65 degrees, then pull the bolt to the rear, until it stops.

! CAUTION: This action cocks the firing pin so always be sure the gun is pointed in a safe direction.

Step 3. LOAD

Manually insert a cartridge, bullet FORWARD, INTO THE CHAMBER (see Fig. 3).

! WARNING: If a cartridge hangs up, jams, or binds when being chambered do not attempt to force it into the chamber by pushing or striking the bolt or bolt handle.



NOTE: .22 rimfire cartridges have their sensitive priming compound distributed around the inside of their rim. They are fired by the impact of the firing pin against the relatively soft cartridge case, which detonates the priming compound. Any crushing of the rim can cause a rimfire cartridge to be "discharged" before it is chambered if the rim of the cartridge received a sharp blow from any source. Accordingly, the user of a firearm chambered for a rimfire cartridge must regard any jam or feeding problem as a signal to immediately stop using the gun until it can be determined what is wrong.

Most failures of a cartridge to fully chamber are caused by a dirty or damaged chamber, or ammunition that is of the incorrect type, or is defective.

! WARNING: If a cartridge does not fully chamber, recognize that this is a potentially dangerous situation. If this occurs, the cartridge case may rupture and its fragments may fly out of the gun with sufficient force to cause injury. Always wear shooting glasses!

! WARNING: Any gun that is dropped, bumped, or jarred with a chambered round might accidentally discharge even with the safety "ON."

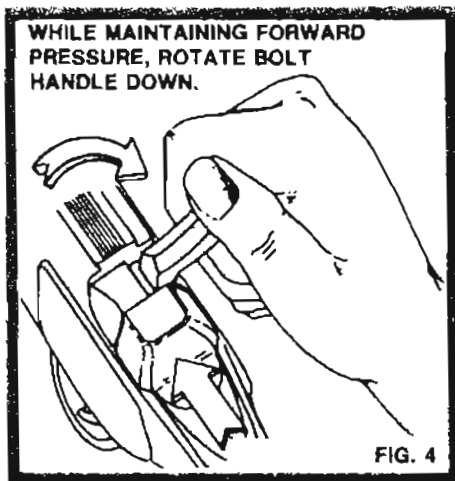
! WARNING: Before loading the firearm, ALWAYS CHECK THE BORE to be sure it is free of grease, oil or any other obstruction (see page 13). Never attempt to load your Daisy .22 rifle with anything other than clean, dry, .22 cal. Short, Long, or Long Rifle ammunition.

Step 4. CLOSE BOLT

! WARNING: Do not put your finger on the trigger during this operation.

Push the bolt fully forward and while maintaining forward pressure rotate the handle fully downward (clockwise) until it stops (see Fig. 4). The gun is now loaded, cocked and ready to fire.

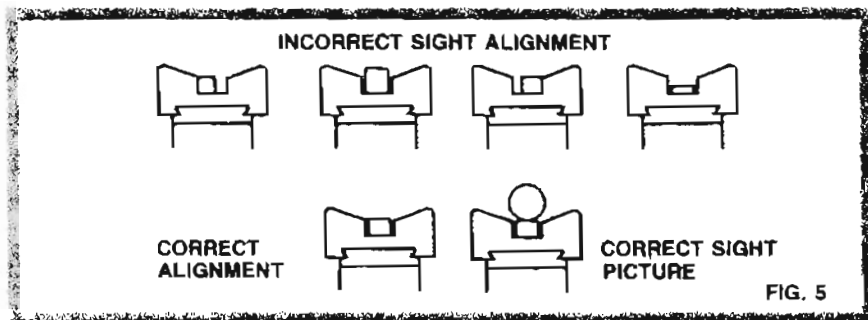
WARNING: Always keep gun pointed in a safe direction. DO NOT carry the rifle in the loaded and cocked condition without the safety "ON."



Step 5. AIM AT A SAFE TARGET

To be a consistent marksman, use the correct sight picture each time you fire the rifle (see Fig. 5).

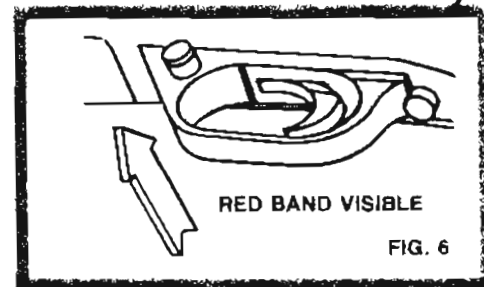
WARNING: Use care and caution in selecting a safe target. Pick targets that will not cause a ricochet because of their hard surface, and do not shoot at water. Remember that this rifle has a range of up to 1½ miles.



Step 6. TAKE "OFF" SAFETY

Push the safety "OFF;" red band visible. Do not touch the trigger while moving the safety (see Fig. 6).

WARNING: The gun is now ready to fire. Exercise extreme care.



Step 7. FIRE

After making certain the gun is pointed at a safe target, gently (but firmly), squeeze the trigger. Repeat steps 1 through 7 to continue shooting.

WARNING: In the event that you decide not to shoot after the trigger has been partially pulled, keep the gun pointed in a safe direction, put the safety "ON," and re-engage the firing mechanism fully by opening and closing the bolt.

NOTE: Opening the bolt, as in Step 2, will extract and eject the cartridge case.

Always practice safe gun handling rules, and be sure gun is pointed in a safe direction and USE THE SAFETY.

When firing the Model 2201 be sure that bystanders are well clear of the shooter and standing a safe distance to the rear. Cartridge cases can be ejected from the rifle to the right with some velocity and could cause injury to any person who is standing too close alongside the shooter. Shooters who fire the rifle from their left shoulder should be particularly cautious concerning ejected cartridge cases and the rear end of the bolt as it is drawn rearward. All shooters should wear shooting glasses when firing any type of firearm.

NOTE: Form the habit of examining fired cartridge cases from time to time. If fired cases have split, blown or bulged heads or show splits on any part of the case, the rifle should be promptly returned to the factory.

HOW TO UNLOAD

WARNING: Always keep the muzzle pointed in a safe direction with safety "ON" when unloading. Never assume the chamber is empty. Open the bolt and check.

To remove a cartridge from the chamber, lift the bolt handle as far as possible and pull back.

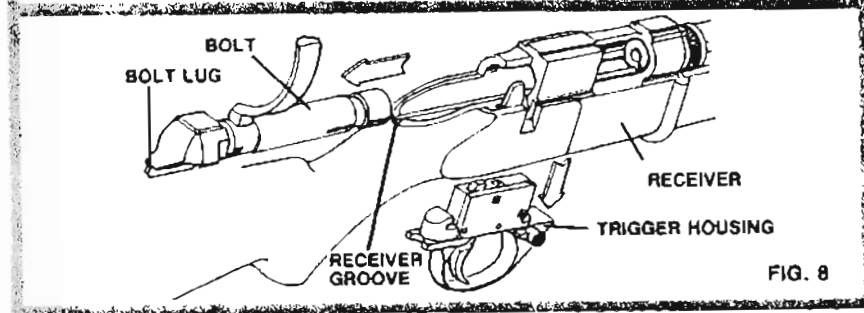
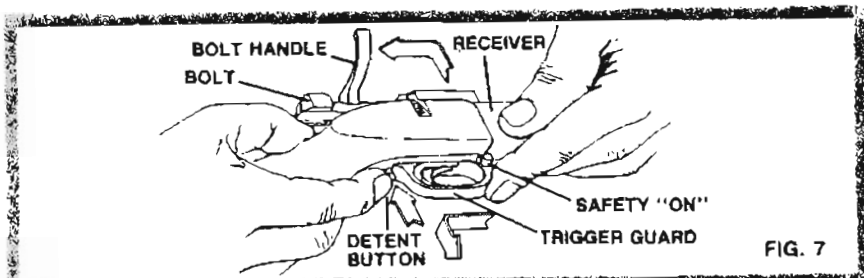
FEATURES

There are several features of your Daisy .22 rifle that you should become familiar with in addition to the correct operation procedures. They are as follows:

CAUTION: Be sure gun is empty and always pointed in a safe direction when performing any of these procedures.

1. REMOVABLE TRIGGER HOUSING AND BOLT:

- Put "ON" safety.
- The bolt will easily slide out of the receiver once the trigger housing is removed. Care should be taken to prevent the bolt from falling from the gun when the trigger housing is removed.
- Open bolt and bring it rearward until it reaches the bolt stop position. (Bolt must be open to depress detent button).
- With thumb or finger, depress the detent button.
- Tap the trigger guard rearward and pull down to remove the housing from the receiver (see Figs. 7 & 8).
- The bolt may now be removed.



2. REPLACING TRIGGER HOUSING AND BOLT

WARNING: Be sure that a cartridge is not chambered or in the breech area prior to replacing the bolt and trigger housing.

- Install trigger housing first. Insert into bottom of receiver until trigger guard is flush with receiver and tap forward until detent button pops into position, locking housing in place.
- Take "OFF" safety.
- Pull trigger and slide the bolt into the receiver assuring that the bolt lug on the bottom of the bolt sleeve (refer to Fig. 8) is aligned with the receiver groove at the rear of the receiver. Fully insert the bolt and rotate the handle downward to the closed position.
- Put "ON" safety.

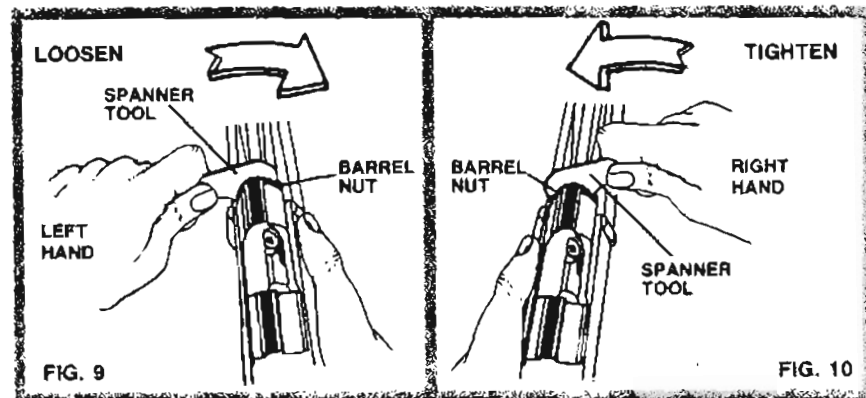
3. REMOVABLE BARREL

The barrel can be removed from the gun to facilitate storage or cleaning, although it is not necessary that the barrel be removed for cleaning.

IF THE BARREL IS TO BE REMOVED, USE THE FOLLOWING PROCEDURE:

WARNING: Prior to removing the barrel ensure that the gun is unloaded and the safety is "ON".

With bolt fully open (or removed), use the spanner tool furnished with your gun and completely unscrew the barrel nut as shown in Fig. 9. Reinstall the barrel by reversing the above procedure, being careful to keep the sights upright until the orientation lug engages properly with the receiver. Firmly tighten the barrel nut with the spanner tool, visually making certain that the rear end of the barrel has fully "bottomed out" in the mating recess of the receiver (see Fig. 10).

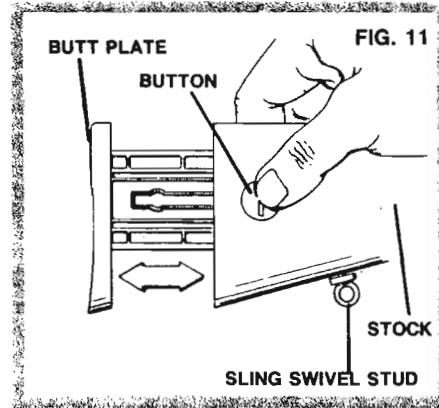


! WARNING: The barrel must remain tightly seated within the receiver at all times when the gun is being fired to prevent case rupture and possibly causing injury to the shooter and/or damage to the gun.

! WARNING: Keep barrel lock nut tight at all times.

4. ADJUST LENGTH OF STOCK (2201 ONLY)

Push the button, located on the rear side of the stock, in fully and, gripping the buttplate by its sides, pull out or push in until you have it approximately where you want it. Release the button and move the buttplate in or out until the button pops into the lock position which is roughly level with the side of the stock (see Fig. 11).



MALFUNCTIONS

FAILURE TO FIRE

! WARNING: If the gun fails to fire after following the operating instructions, keep the rifle pointed in a safe direction. Remain in the shooting position for at least 10 seconds, then open the bolt to remove the unfired cartridge.

FAILURE TO EXTRACT CARTRIDGE

If the bolt has been opened and the cartridge has failed to extract, keep the gun pointed in a safe direction and adhere to the procedure described in Step 1 or 2 below.

1) UNFIRED CARTRIDGE

With the bolt fully open, reach into the receiver area with your index fingernail and pull the cartridge from the chamber.

! WARNING: Do not use tools to remove an unfired cartridge. If unable to remove as instructed, remove trigger and bolt assemblies and take gun to competent gunsmith.

2) EMPTY CARTRIDGE CASE

You may be able to use the procedure described above. However, the cartridges case may have expanded slightly, causing the case to stick in the chamber. In this case, a thin pocket knife blade or thin flat screwdriver blade may have to be inserted between the face of the barrel and the case rim, to pull it from the chamber. A cleaning rod can also be used to push the case from the chamber.

UNDERPOWERED SHOTS AND/OR OBSTRUCTED BORE

! WARNING: You can tell when a shot is underpowered by the unusually low report (noise) it makes. This can result in a bullet being lodged in the bore. An obstructed bore can occur if the cartridge you have fired contains insufficient powder, none at all, or if the powder fails to ignite.

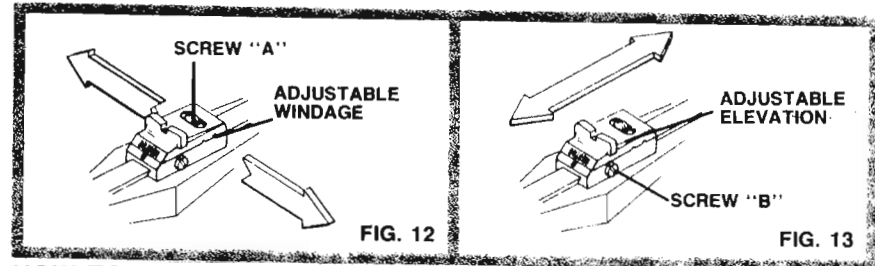
Mud, snow, grease or oil can also be some of the causes of an obstructed bore.

! WARNING: Should any of these conditions occur, or if for any other reason you suspect an obstructed bore, to prevent personal injury or damage to the gun, DO NOT FIRE AGAIN AND DO NOT RECHAMBER A CARTRIDGE.

You must unload the gun, remove the trigger assembly and bolt and look through the bore from the breech (chamber) end. If the bore is obstructed, insert a proper size cleaning rod (without tip) from either end of the barrel and push the obstruction out. If the obstruction cannot be removed by tapping the rod, either take the gun to a competent gunsmith or return it to the Daisy Service Department. After removal of the obstruction, clean the bore and check it for damage. If damage is noted, seek the advice and services of a competent gunsmith or return to Daisy (see shipping and handling, page 15).

SIGHTING THE RIFLE

Your rifle has been test-fired but was not sighted-in at the factory. Due to individual shooting characteristics, the rifle should be sighted-in and range verified. Your rifle is equipped with a fully adjustable rear sight.



HOW TO ADJUST SIGHT RIGHT OR LEFT (WINDAGE):

Using a small screwdriver loosen screw "A" by turning counterclockwise (see Fig. 12). Move the rear sight toward the right side of the gun to move the point of impact to the right or toward the left side of the gun to move the point of impact to the left. Re-tighten screw "A" after adjustment.

HOW TO ADJUST SIGHT UP OR DOWN (ELEVATION):

Raise the rear sight by loosening screw "B" and sliding the rear sight forward to move point of impact up. Lower the sight by sliding it rearward moving point of impact down. Tighten screw "B" to maintain position (see Fig. 13).

CLEANING

NOTE: The gun owner is responsible for periodic inspection and proper maintenance of the gun.

! WARNING: Before attempting to clean your rifle, make certain that it is unloaded and the bolt is removed (see "Bolt Removal", page 10).

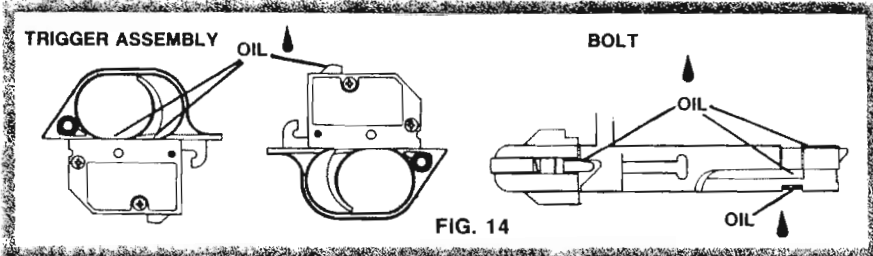
It is not necessary that the barrel be removed from the gun for cleaning. Clean the bore by using a commercially available .22 cal. (5.5mm) cleaning rod and patches. Use powder solvent on the patches until the bore is clean, then lightly oil the bore by applying the oil to a patch and passing it completely through the bore.

Remove all moisture and wipe down all metal surfaces of the barrel, receiver and bolt with a clean, lightly oiled cloth.

Clean the stock, buttplate and gripcap with a soft, water moistened cloth, then wipe off moisture with a dry cloth.

Any moisture should be removed from the trigger housing and a couple of drops of oil applied to the sear pocket and trigger and pawl pivots (see Fig. 14).

Dry the bolt of any moisture and place a couple drops of oil to the firing pin and the extractor. Wipe the bolt assembly with a clean oily cloth (see Fig. 14).



! WARNING: Keep barrel lock nut tight at all times.

STORAGE

Lightly oil the bore, barrel, bolt and receiver with gun oil. The rifle must be unloaded and uncocked and stored in a dry area. Never store your gun in a leather case.

! WARNING: For maximum safety, store the ammunition, trigger housing, and bolt in separate locations, out of the reach of children and untrained persons.

MODIFICATION

! WARNING: The components of this gun were designed to deliver optimum performance. Any modification to, or tampering with the gun, may cause a malfunction and may make it unsafe to use. Any change in performance indicates possible wear or breakage and such gun should be inspected and/or repaired by qualified personnel. Any gun that has been dropped or otherwise suffered a severe blow, should be checked by qualified personnel to ensure that its function has not been adversely affected.

REPAIR

! WARNING: A gun that is not operating properly may be dangerous. It should be kept safely from use by anyone until repaired. Do not try to take the bolt or action apart.

GUNS IN WARRANTY

LIMITED THREE-YEAR WARRANTY

For three years from date of purchase, Daisy will repair or replace this gun, free of charge, if defective in material or workmanship.

Guns requiring warranty repair should be returned to the factory. Be sure to follow the "Shipping and Handling" instructions.

This warranty gives you specific legal rights and you also may have other rights which vary from state to state.

Wear or damage resulting from neglect, abuse or repairs not made or authorized by Daisy Manufacturing Company, are not covered by this warranty.

GUNS OUT OF WARRANTY

If your Daisy gun needs repair, ship it to the factory, following the Shipping and Handling instructions section. You will be invoiced for the parts and labor plus a nominal handling charge.

SHIPPING AND HANDLING

! WARNING: Before shipping any firearms, be absolutely certain that it is unloaded. Do not ship ammunition with firearms.

Pack your gun well and ship via insured parcel post or UPS to

Daisy Manufacturing Company, Inc.
Service Department
2111 South 8th Street
Rogers, Arkansas 72756
Toll Free 1-800-345-4326
In Arkansas 1-636-1200

Include a letter with your name, address, telephone number and serial number of your gun. Please describe the problem you have experienced.

Please do not include any accessories such as a rifle case, sling or scopes when returning your gun.