

# **.223 CAL. DR200 SEMI AUTO RIFLE**

## **OPERATOR'S MANUAL**

KIMBER OF AMERICA, INC.  
9039 SE Jannsen Road  
Clackamas, Or. 97015

**READ THE INSTRUCTIONS AND WARNINGS IN THIS MANUAL  
CAREFULLY BEFORE USING THIS FIREARM**

THIS MANUAL SHOULD ALWAYS ACCOMPANY THIS FIREARM  
AND BE TRANSFERRED WITH IT UPON CHANGE OF OWNERSHIP  
OR WHEN THIS FIREARM IS LOANED OR PRESENTED TO ANOTHER PERSON.



# **.223 CAL. DR200 SEMI AUTO RIFLE**

## **OPERATOR'S MANUAL**

KIMBER OF AMERICA, INC.  
9039 SE Jannsen Road  
Clackamas, Or. 97015

**READ THE INSTRUCTIONS AND WARNINGS IN THIS MANUAL  
CAREFULLY BEFORE USING THIS FIREARM**

THIS MANUAL SHOULD ALWAYS ACCOMPANY THIS FIREARM  
AND BE TRANSFERRED WITH IT UPON CHANGE OF OWNERSHIP  
OR WHEN THIS FIREARM IS LOANED OR PRESENTED TO ANOTHER PERSON.



# **.223 CAL. DR200 SEMI AUTO RIFLE**

## **OPERATOR'S MANUAL**

### **ORGANIZATIONAL MAINTENANCE MANUAL INCLUDING REPAIR PARTS AND BASIC ISSUE ITEMS LIST**

Please obey all rules of safe gun handling.

Never point a weapon at another person.

A copy of NRA Rules of Safe Gun Handling is included. Please read it.



# CONTENTS

■ SAFETY RULES .....	3
■ FOREWORD .....	4
■ INTRODUCTION .....	5
■ SPECIFICATIONS .....	6
A. Rifle	
B. Ammunition	
■ CHARACTERISTICS .....	7
■ HANDLING .....	8
A. Loading	
B. Use of selector lever	
C. Unloading	
D. Gas regulation	
E. Sight adjustment	
F. Sight zeroing	
G. Immediate action	
■ TROUBLE SHOOTING .....	16
■ STRIPPING .....	18
■ REASSEMBLY .....	23
■ CLEANING AND MAINTENANCE .....	23
A. Maintenance of the rifle	
B. Lubrication	
■ ILLUSTRATED PARTS LIST .....	25
A. Upper Receiver Group	
B. Bolt Carrier & Recoil spring Group	
C. Lower Receiver Group	
■ BASIC ISSUE ITEMS LIST .....	28

## Warranty Statement

This firearm imported by **KIMBER** is warranted against defects in materials and/or workmanship for one full year after date of original new gun retail purchase.

This warranty does not cover repairs related to unreasonable use, corrosion, failure to provide proper maintenance, damaged or shopworn display guns, gun barrels damaged by an obstructed bore or guns damaged in shipment due to improper packing and handling. Unauthorized alterations or service not approved or performed by **KIMBER** or the use of handloaded, reloaded or other non-standard ammunition will also void all warranties. **KIMBER** reserves the right to inspect any product before making and adjustment covered by this warranty.

Under no circumstances shall **KIMBER** be liable for consequential or incidental damages or injury.

Some states do not allow the exclusion of consequential or incidental damages so the above limitation may not apply to you.

## ■ SAFETY RULES

Any firearm is a dangerous weapon capable of causing death or serious personal injury, but firearms are almost always found to be the result of carelessness or ignorance on the part of the shooter. Strict adherence to the following safety rules is the responsibility of every gun owner.

1. Always keep the muzzle pointed in a safe direction.
2. Never point a gun at anything you aren't prepared to kill.
3. Treat every gun as if it were loaded.
4. Do not rely on a mechanical safety device as a substitute for safe gun handling.
5. Never leave a loaded gun unattended.
6. Store guns and ammunition separately out of reach of children.
7. Be sure the gun is unloaded before cleaning.
8. Do not attempt to modify the gun's trigger or safeties.
9. Be sure of your target before shooting. Ask yourself what your bullet might hit if it misses the target.

## ■ FOREWORD

This manual is made for the information and guidance of personnel whose duties involve the use and maintenance of the .223 Calibre DR200 and furthermore to enable him to use it with maximum efficiency.

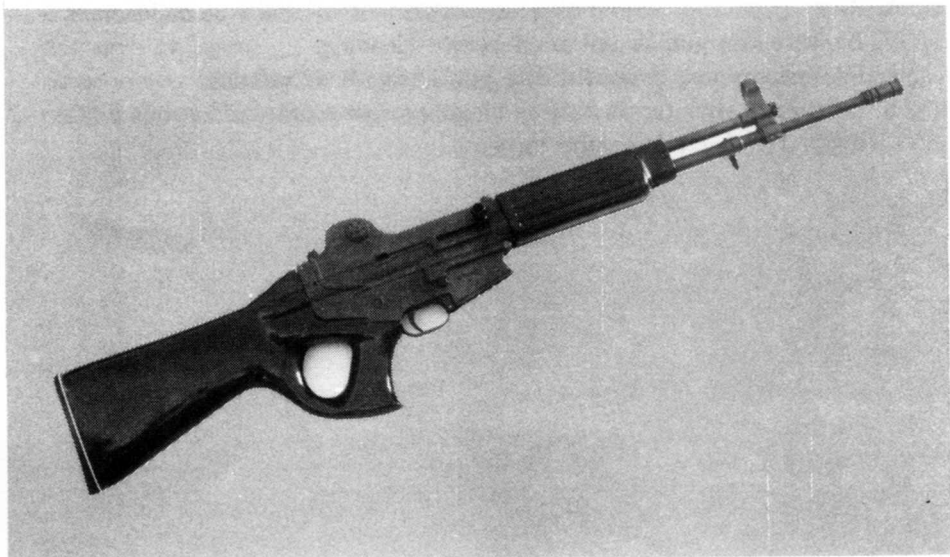


Fig. 1 DR200 Rifle

## ■ INTRODUCTION

This DR200 .223 Calibre rifle is light weight, aircooled, gas pipe operated, magazine feed, easily handled and capable of semi-auto fire with extreme accuracy over the effective range.

### **WARNING :**

This Rifle is sold with the understanding that the purchaser assumes all liability result from unsafe handling or any action that constitutes a violation of any applicable laws or regulations **KIMBER** shall not be liable for personal injury or loss of property or life resulting from the use of this rifle under any circumstances including intentional, reckless, negligent or accidental discharge or any parts thereof.

If the rifle is in need of service or adjustment, it should be returned to **KIMBER**



## ■ SPECIFICATIONS

### A. RIFLE

- |                                    |                |
|------------------------------------|----------------|
| 1) Calibre                         | .223 CAL.      |
| 2) Weights                         |                |
| – rifle without magazine and sling | 4.01kg         |
| 3) Length                          |                |
| – overall length (Fig. 1)          | 995mm(39.2")   |
| – barrel without suppressor        | 465mm(18.3")   |
| – sight radius                     | 493mm(19.4")   |
| 4) Barrel rifling                  |                |
| – number of grooves                | 6              |
| – twist of rifling                 | right hand     |
| – pitch of rifling                 | 305mm(12")     |
| 5) Rate of fire                    |                |
| – semi-automatic                   | 45 – 65rds/min |
| 6) Effective range                 | 460m           |
| 7) Maximum range                   | 2,653m         |
| 8) Muzzle velocity                 | 960m/sec       |

### B. Ammunition

- |            |           |
|------------|-----------|
| 1) Calibre | 5.56×45mm |
| 2) Type    | .223REM   |

## ■ CHARACTERISTICS

- The forged aluminium alloy Receiver is solid, durable and guarantees longer lifetime.
- Bolt, Bolt carrier, Firing pin, Piston and Recoil spring in one assembly easy to strip without any tool
- Rotating Bolt locking system.
- Gas operated system with gas cylinder and piston.
- Control of gas operation 4 positions by gas regulator rotation.
  - O : when firing a rifle grenade
  - L : in adverse condition
  - M : in normal condition
  - S : extreme heat
- Selector lever with 2 positions
  - SAFE : safety
  - SEMI : single shot
- Front sight post with protective ring.
- Rear sight-Aperture for day firing.
- Rear sight is adjustable in windage and elevation without any special tool.
- Range selector is adjustable for 250 and 400m.
- Ejection to the right forward.
- Charging handle bounds up with the mechanism in the weapon and reciprocates with it.
- Possibility to mount a telescopic sight.

## ■ HANDLING

**WARNING :** Be sure to use only .223 Calibre ammunition from a reliable source.

The use of improperly handloaded ammunition can result in damage to the rifle and void any warranty.

### A. Loading

#### 1) Loading the magazine

##### a) With magazine charger

- Connect magazine charger over the mouth of the magazine, with the guides for the charger strip on the side of the magazine rib.
- Insert magazine charger strip into magazine charger.
- Push down on top cartridge, forcing cartridges into magazine.

#### 2) Loading the rifle

**WARNING :** Always keep the rifle pointed in a safe direction when loading.

Prior to loading the rifle, place selector lever on SAFE : selector lever cannot be placed on SAFE unless rifle is cocked. The magazine may be inserted with the bolt and bolt carrier opened or closed. Grasp the pistol grip, point the muzzle in a safe position and insert loaded magazine into magazine housing. Push upward until the magazine catch engaged and holds the magazine. If the bolt carrier is locked to the rear, push in the upper portion of bolt catch (Fig. 2) allowing the action to close, chambering a round. If the bolt carrier is in the forward position when the magazine is inserted, pull the charging handle fully to rear and release it.

The gun is now loaded and can be fired when the selector lever is placed in the SEMI position.

**WARNING :** Keep your finger off the trigger during loading. When the gun is cocked, the gun is ready to fire. Engage the manual safety if you do not intend to fire immediately.

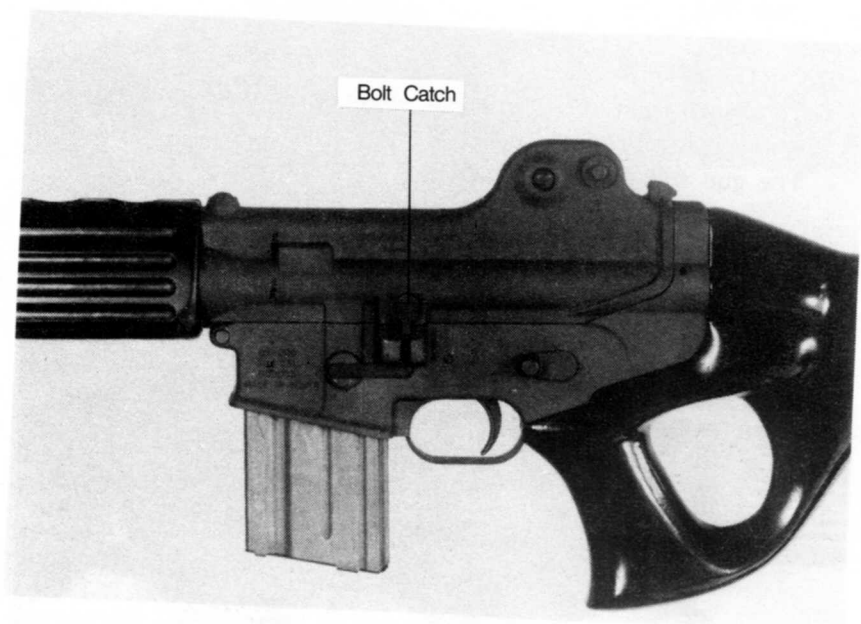


Fig. 2

## B. Use of selector lever

You can rotate the select lever clockwise and counter-clockwise in 180 degrees only in the direction of arrow.

### 1) 'SAFE'

To change from semi-position to safe position, you must rotate the select lever counter-clockwise.

The gun will not fire in safe position. Selector lever cannot be on safe unless gun is cocked. Always place in SAFE, when loading an unloading.

### 2) 'SEMI' (Fig. 3)

To change from safe-position to semi-position you must rotate the select lever clockwise.

The gun will fire one round each time the trigger is pulled.



Fig. 3

### C. Unloading

- 1) Place the selector lever on 'SAFE'
- 2) Remove the magazine by pressing the magazine release button (Fig. 4)
- 3) Pull the charging handle fully back to extract and eject the cartridge in the chamber.
- 4) Release the charging handle.



Fig. 4

### D. Gas regulation

The gas regulator is mounted at the front to the cylinder and has a milled cap which can be rotated to one of the positions marked respectively O, L, M and S.

To rotate the gas regulator, depress the detent (Fig. 5) and rotate the gas regulator. At 'O' the valve is fully closed, no gas passes to the cylinder.

The normal firing position is with the regulator set on 'M' and 'L' is an oversized port reserved for those occasions when the rifle is locking in energy due to fouling or the entry of the sand or snow etc. and 'S' is an undersized port reserved for the occasion when the rifle is excessive in energy due to extreme heat.

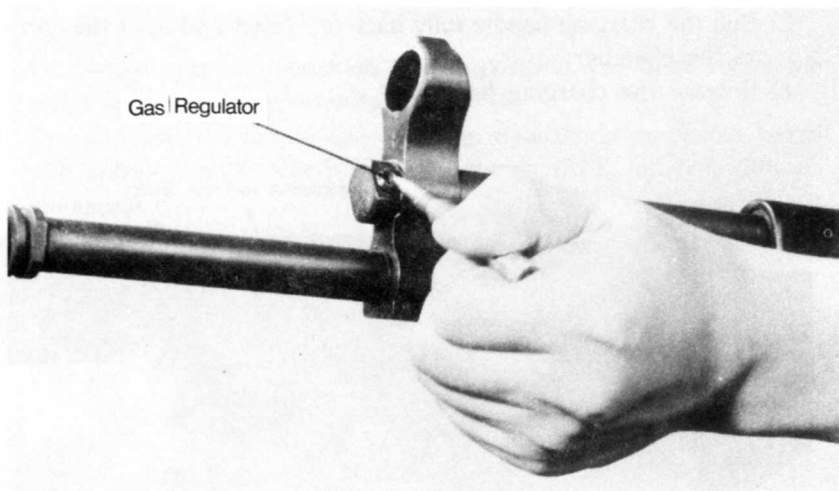


Fig. 5

## E. Sight adjustment

### 1) Windage adjustment

To adjust the windage, depress detent and rotate the drum to desired direction. To move the point of impact to the right, turn the drum clockwise in direction of arrow and letter 'R' (Fig. 6). To move left, move drum counter-clockwise (Fig. 10). Each graduation (notch) moves the point of impact of bullet as shown in the table below.

RANGE	IMPACT
25 meters	0.7 cm
100 meters	2.8 cm
200 meters	5.6 cm



Fig. 6

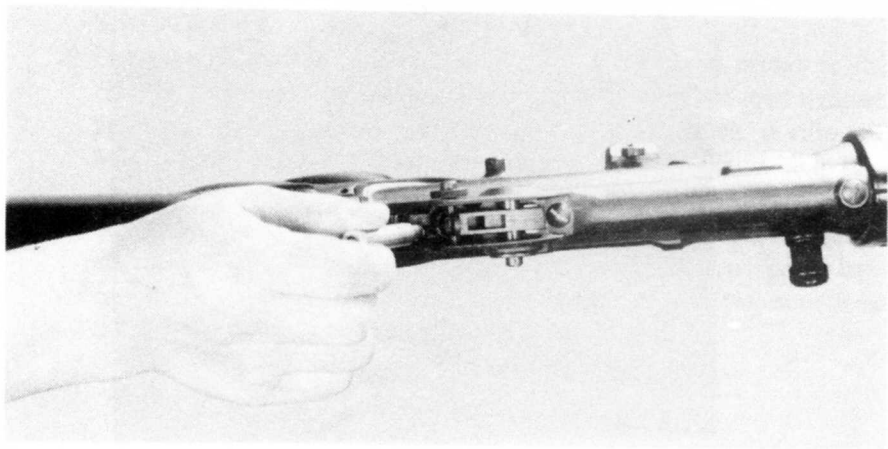


Fig. 7



## 2) Elevation

To adjust to elevation, using the nose of a round or simily pointed object, turn the elevation screw(Fig. 7). To raise the point of impact, rotate the screw counter-clockwise in direction of arrow and letter 'UP'.

And adjustment of one notch will raise or lower the point of impact by the amount shown in the table below.

RANGE	IMPACT
25 meters	0.7 cm
100 meters	2.8 cm
200 meters	5.6 cm

## 3) Use of range selector (Fig. 8)

If your rifle is zeroed and the range selector is set to

- 2.5 : hit targets within 250 meters
- 4 : hit targets over 250 meters within 450 meters

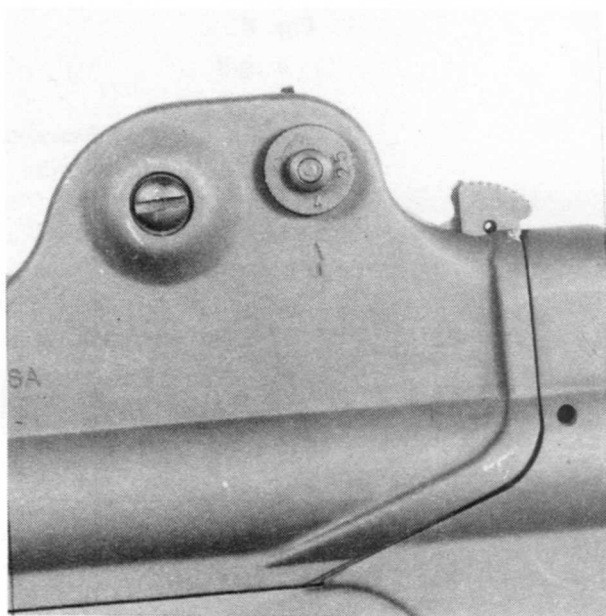


Fig. 8

## F. Sight zeroing

**WARNING** : Before firing be sure to check the locker(P/N 120784) for your safety.

Prior to sight zeroing, place the range selector on '2.5'.

In order to sight zeroing, adjust your sights so you can hit an aiming point to 250 meters.

Zeroing can also be accomplished on a 25 meter range by adjusting the sights so the bullet will strike 0.9 cm below the point of aim.

## G. Immediate action

Immediate action is the action taken to correct the stop page without analyzing the cause. Immediate action to clear a stop-page in the rifle is as follows.

- 1) Push the charging handle forward to insure that the extractor had engaged the round. Tap upward on the bottom of the magazine to ensure that it is fully seated. Pull charging handle full to the rear. Watch for ejection of a complete cartridge or a cartridge case.
- 2) If a cartridge or case is ejected, release charging handle to feed a new round. Push the charging handle forward to assure bolt closure. Attempt to fire the rifle. If rifle fails to fire, inspect to determine cause of malfunction and take appropriate action(see TROUBLE SHOOTING)
- 3) If a cartridge or a case is not ejected, check for a round in the chamber. If chamber is clean, release charging handle to feed a round, push the charging handle forward and attempt to fire. If rifle still fails to fire, inspect to determine cause of malfunction and take appropriate action (see TROUBLE SHOOTING)
- 4) If a cartridge or case is noted in chamber it must be removed before attempting to reload or recycle the rifle. A stuck cartridge or case can be removed by inserting the cleaning rod into the bore from the muzzle end and tapping the cartridge.

## ■ TROUBLE SHOOTING

Trouble shootings are usually the result of worn parts or improper care of the rifle. A knowledge of how the rifle functions enables the user to classify and correct the trouble shooting.

PROBLEM	CHECK FOR	HOW TO FIX IT
WON'T FIRE	Selector lever on SAFE	Put in on SEMI
	Improper assembly of firing pin	Assemble correctly (RETAINING PIN GOES IN BACK OF LARGE SHOULDER OF FIRING PIN)
	Broken firing pin	Replace
	Too much oil in firing pin recess	Wipe off
	Defective ammo	Remove and discard
BOLT WON'T UNLOCK	Too much carbon on firing pin	Clean
	Dirty or burred bolt	Take to qualified or return to importer if in warranty
WON'T EXTRACT	Broken extractor spring	Same as Above
	Dirty or corroded ammo.	Clean or Remove (Push out stuck round with cleaning rod.)
	Carbon in chamber	Clean chamber
	Fouling or carbon in extractor recess or lip	Clean
	Dirty magazine	Clean
	Defective magazine	Replace
	Too many round in magazine	Take out excess

PROBLEM	CHECK FOR	HOW TO FIX IT
WON'T FEED	Restricted recoil spring assembly action Magazine not fully seated	Take out the recoil spring assembly and clean. Push magazine upward
DOUBLE FEED WON'T CHAMBER	Defective magazine Dirty or corroded ammo Damaged ammo Carbon in chamber	Replace Clean Replace Clean
WON'T LOCK	Dirt, corrosion, or carbon build up in barrel locking lugs Frozen extractor Restricted recoil assembly Restricted movement or bolt carrier group	clean lugs Remove and clean Remove and clean Remove, clean, and lubricate
SHORT RECOIL	Carbon or dirt in gas cylinder or on outside of gas piston Carbon or dirt in gas regulator	Clean Clean
BOLT FAILS TO LOCK AFTER LAST ROUND.	Dirty or corroded bolt catch Faulty magazine	Clean Replace
SELECTOR LEVER BINDS	Needs oil	Lubricate

## ■ STRIPPING

- 1) Place selector lever on SAFE
- 2) Remove magazine by pressing magazine release button (Fig. 9)



Fig. 9

- 3) Open bolt and eyeball chamber.
- 4) Remove sling
- 5) Push supporter of recoil spring assembly into receiver and pivot upper receiver from lower receiver (Fig. 10).



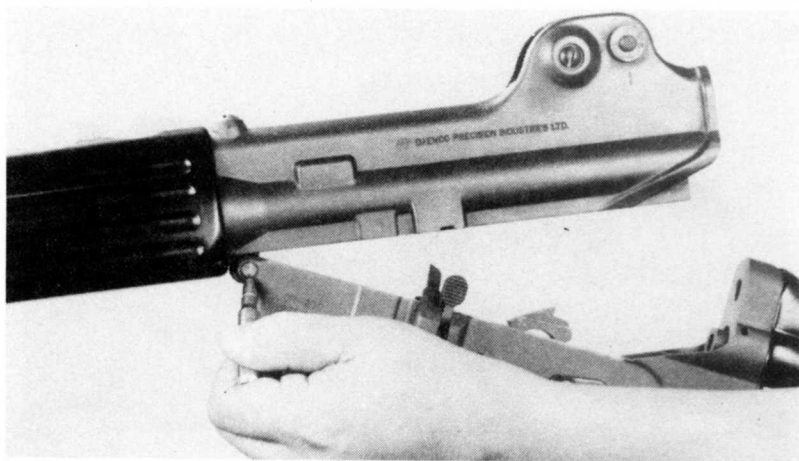
Fig. 10

- 6) Remove recoil spring assembly
- 7) Pull charging handle all the way back and remove it.(Fig. 11)



**Fig. 11**

- 8) Remove bolt carrier and bolt
- 9) Remove gas regulator



**Fig. 12**

- 10) Push receiver pivot pin(Fig. 12).
- 11) Separate upper and lower receivers
- 12) Remove handguards
- 13) Remove firing pin retaining pin(Fig. 13).
- 14) Put bolt assembly in locked position(Fig. 14).



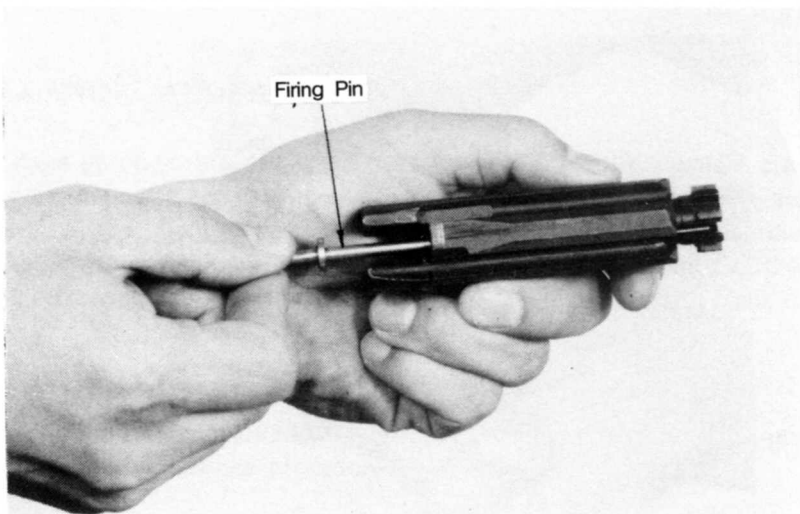
**Fig. 13**



**Fig. 14**

15) Remove firing pin through rear of bolt carrier(Fig. 15)

16) Remove bolt cam pin(Fig. 16)



**Fig. 15**



**Fig. 16**



- 17) Remove bolt assembly from carrier
- 18) Remove extractor pin(Fig. 17)
- 19) Remove extractor(Fig. 18)

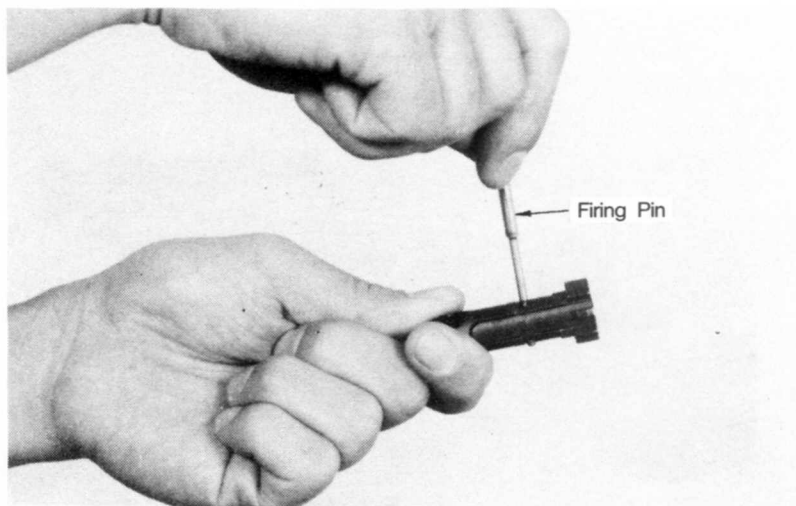


Fig. 17

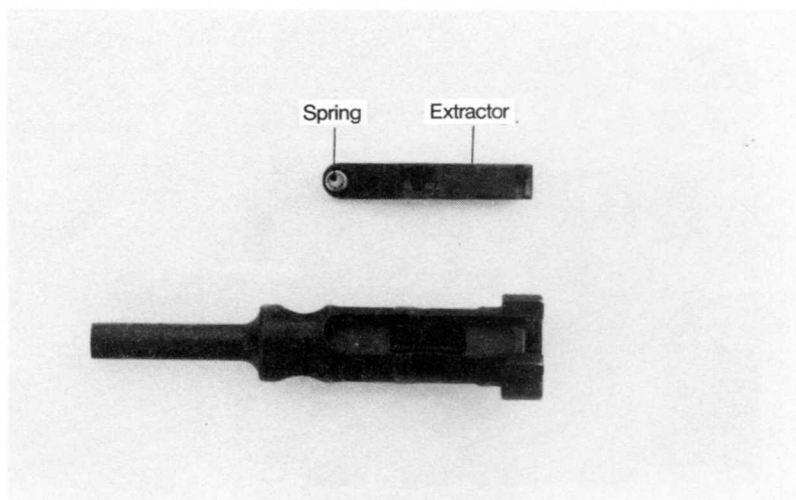


Fig. 18

## ■ REASSEMBLY

All parts are reassembled in the reverse order to the stripping procedure.

## ■ CLEANING AND MAINTENANCE

It must be emphasized that all semi-auto rifles require constant cleaning and maintenance and that most of stoppages mentioned elsewhere are the result of the shooter's negligence or lack of knowledge of his rifle. All rifles whether semi-auto or repeating rifles, should be cleaned at the end of a day firing and special care must be taken after firing with blank cartridge.

### A. Maintenance of the rifle

The rifle, 5.56mm DR200 only needs to be field-stripped for this maintenance. Maintenance procedure is as follows —

- 1) Use the Barrel cleaning brush, oiled with the special rifle bore oil provided, and pass through the barrel several times.
- 2) Follow this by pulling through two or three dry rags.
- 3) Clean the chamber with the cleaning brush provided for this purpose.
- 4) Clean the bolt and bolt carrier.
- 5) Clean firing pin and firing pin hole.
- 6) Clean underneath the extractor claw. without stripping it.
- 7) Remove the gas regulator, the piston and its spring and carefully clean these parts, as they are exposed to gas fouling.
- 8) Clean the gas cylinder and wipe with a slightly oiled rag.
- 9) Very slightly lubricate the moving parts of the mechanism.

## B. Lubrication

- When reassembling lubricate where required.
- Apply oil to constant friction like bolt carrier, bolt, trigger mechanism, barrel extension.
- The piston head should not be oiled.

Part to be or not to be lubricated :

- Lubricated : bolt  
bolt carrier  
barrel extension  
trigger mechanism  
recoil spring  
ejector and spring
- Unlubricated : barrel  
piston head  
gas regulator  
gas cylinder  
outside of the rifle

## ■ ILLUSTRATED PARTS LIST

### A. Upper Receiver Group

ITEM	STOCK NAME	STOCK NO.
1	Screw, Hand Guard	110954
2	Washer, Hand Guard	120833
3	Hand Guard Assembly(R.H)	700416
4	Hand Guard Assembly(L.H)	700406
5	Gas Pipe Plug, Assembly	700410
6	Upper Receiver And Barrel Ass'y	700371
7	Washer, Spring	120823
8	Screw, Telescope Mount	120755
9	Spring Pin, Windage Drum	110120
10	Drum Windage	110036
11	Detent, Rear Sight	110043
12	Spring, Rear Sight Detent	110042
13	Rear Sight	120820
14	Spring, Rear Sight	120766
15	Shaft, Rear Sight Elevation	120790
16	Snap Ring, Rear Sight	120768
17	Elevation, Rear Sight	120806
18	Spring Pin, Rear Selector	110120
19	Screw, Rear Sight Elevation	120792
20	Screw, Rear Sight Windage	120762
21	Charging Handle Molded	700418

## B. Bolt Carrier and Recoil Spring Group

ITEM	STOCK NAME	STOCK NO.
1	Bushing, Recoil Spring	120733
2	Spring, Helical Compression	120729
3	Rod(Large), Recoil Spring	120731
4	Supporter Assembly	700400
5	Piston	120734
6	Pin, Piston	120735
7	Operating Rod	120736
8	Bolt Carrier	120821
9	Pin, Firing Retaining	110088
10	Pin, Firing(SM)	111127
11	Pin, Cam	110037
12	Pin, Extractor	110010
13	Extractor	120740
14	Spring, Insert	110109
15	Spring, Extractor	110110
16	Bolt	111123

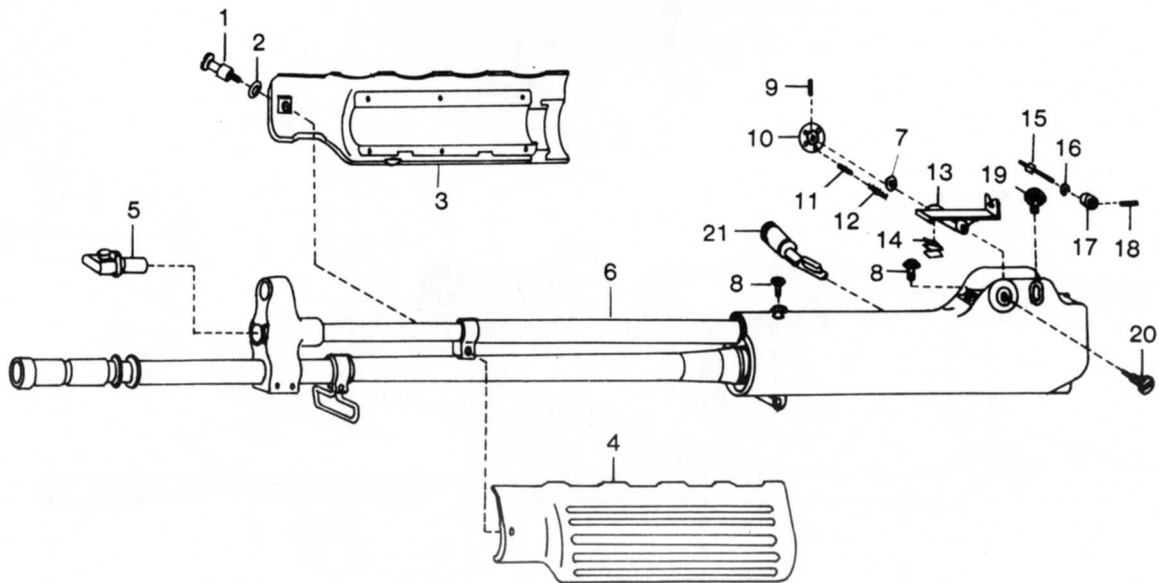
## C. Lower Receiver Group

ITEM	STOCK NAME	STOCK NO.
1	Disconnecter(SM)	111118
2	Trigger	111115
3	Pin, Trigger and Hammer	111119
4	Spring, Disconnecter(SM)	110052
5	Spring, Trigger	110027
6	Hammer Assembly(SM)	701057
7	Spring, Hammer(SM)	111127
8	Ejector	110924
9	Spring, Take Down Pin Detent	110030
10	Bushing, Ejector	110925
11	Spring, Buffer	12863
12	Buffer	12864

13	Pin, Receiver Pivot	110073
14	Detent, Take Down Pin	110033
15	Spring, Detent, Pivot Pin	110030
16	Roll Pin	110949
17	Lower Receiver	120852
18	Spring Pin	110120
19	Button, Magazine Release	110928
20	Spring, Magazine Catch	110044
21	Shaft & Magazine Catch	700189
22	Plunger, Trigger Guard	110003
23	Spring, Trigger Guard	110005
24	Pin, Trigger Guard Plunger	110120
25	Roll pin	110949
26	Guard, Trigger	110950
27	Spring, Bolt Catch	110066
28	Plunger, Bolt Catch	110067
29	Bolt Catch	120745
30	Detent, Firing Control Select	110045
31	Spring, Selector lever Detent	110120
32	Spring Pin	110949
33	Lever, Selector	111151
34	Butt Stock Assembly(Wood)	700375
35	Screw, Lock(Butt Stock)	120856
36	Set Screw	120859

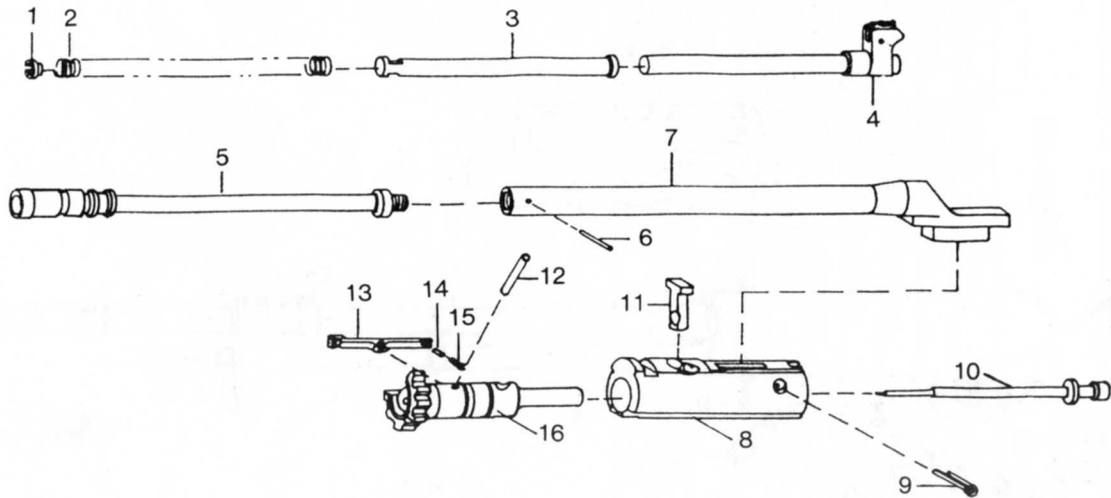
■ BASIC ISSUE ITEMS LIST (BIIL)

Stock No.	Description	Unit of Meas.	Q'ty Inc. in Unit	Q'ty of supp with Equip.
110136S	Rod, Cleaning	SET	1	1
110137S	Brush, Cleaning Bore	EA	1	1
110138S	Brush, Cleaning Chamber	EA	1	1
110139S	Brush, Cleaning Receiver	EA	1	1
110141S	Bottle Assembly, Lubricant	EA	1	1
110142S	Cap, Protective Muzzle	EA	1	1
110987A	Case, Carrying Maintenance Equipment	EA	1	1
110989B	Sling, Small Arms	EA	1	1
483739	Manual DR-200	EA	1	1

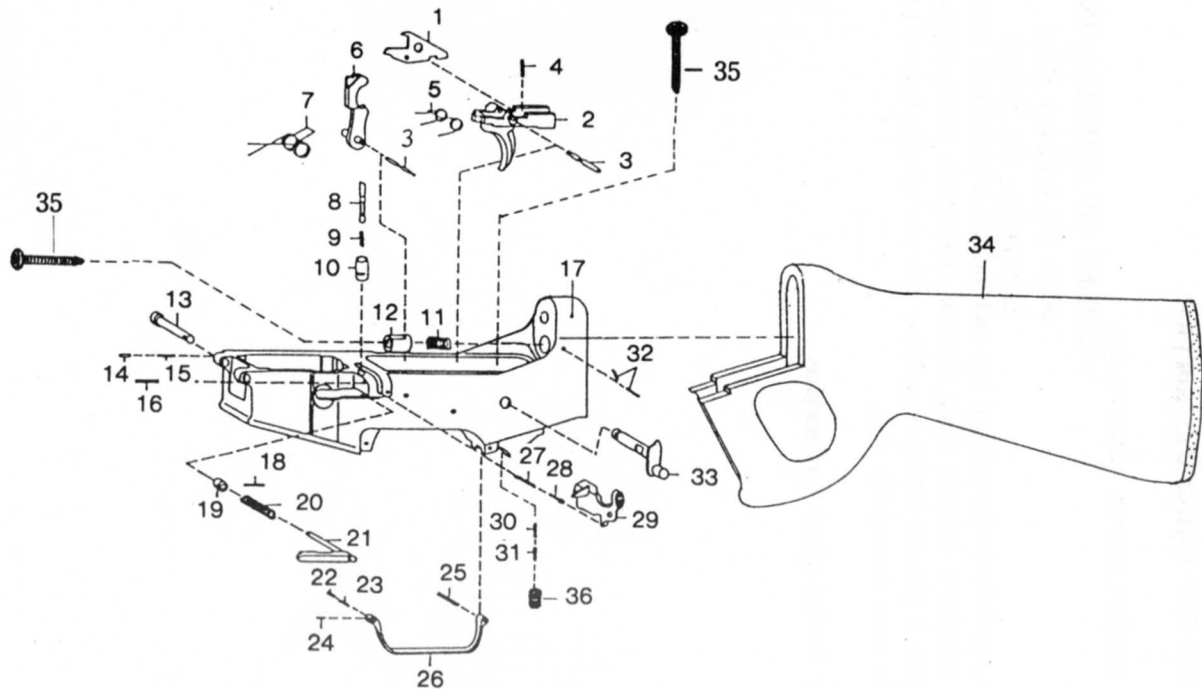


A. Upper Receiver Group





B. Bolt Carrier & Recoil Spring Group



C. Lower Receiver Group

## **Instructions for obtaining service**

If your rifle requires service, return it to :

**KIMBER OF AMERICA, INC.**

**9039 SE Jannsen Road**

**Clackamas, Or. 97015**

Pack the rifle carefully in the original box and include a letter with your name, address, and telephone number, along with an explanation of the problem you are experiencing. If you are having a problem with one specific type of ammunition, please be sure to mention this.

**Do not ship loaded guns for service.**

# **DAEWOO DR200**

A copy of this manual is available from the factory upon request. These manuals contain important warnings that must be understood before using these firearms.

**KIMBER OF AMERICA, INC.**

9039 SE Jannsen Road

Clackamas, Or. 97015

or

Nationwide Sports Distributors

70 Janes Way

Southampton, Pa. 18966

1-700-220-3006

1-215-322-2050



**DAEWOO**

DAEWOO PRECISION IND. LTD.

Printed in Korea 9501-1,000