

INSTRUCTION MANUAL FOR

**DAEWOO
DH40**

Century International Arms. Corp.
1161 Hoiland Drive
Boca Raton, Florida U.S.A. 33487

**READ THE INSTRUCTIONS AND WARNINGS IN THIS MANUAL
CAREFULLY BEFORE USING THIS FIREARM**

**THIS MANUAL SHOULD ALWAYS ACCOMPANY THIS FIREARM
AND BE TRANSFERRED WITH IT UPON CHANGE OF OWNERSHIP
OR WHEN THIS FIREARM IS LOANED OR PRESENTED TO ANOTHER PERSON.**

Table of Contents

1. Safety Rules	3
2. Introduction	5
3. Description	6
4. Technical Features	7
5. Handling The Pistol	9
A. Loading the Magazine	
B. Loading the Pistol	
C. Shooting the Pistol	
6. Maintenance	13
A. Field Stripping and Reassembly	
B. Cleaning	
7. Trouble Shooting	17
8. Exploded View	18
9. Parts List	19

Warranty Statement

This firearm imported by Century is warranted against defects in materials and/or workmanship for one full year after date of original new gun retail purchase.

Unauthorized alterations or service not approved or performed by Century or an authorized representative of the manufacturer will render the Warranty null and void. The use of handloaded, reloaded or other non-standard ammunition will also void all warranties.

Under no circumstances shall Century be liable for consequential or incidental damages or injury. Some states do not allow the exclusion of consequential or incidental damages so the above limitation may not apply to you.

Safety Rules

Any firearm is a dangerous weapon capable of causing death or serious personal injury, but firearms accidents are almost always found to be the result of carelessness or ignorance on the part of the shooter. Strict adherence to the following safety rules is the responsibility of every gun owner.

1. Always keep the muzzle pointed in a safe direction, and your finger out of the triggerguard until you have aligned the sights on a safe target and you have made the decision to shoot.
2. Never point a gun at anything you do not intend to shoot.
3. Treat every gun as if it were loaded.
4. Do not rely on a mechanical safety device as a substitute for safe gun handling. Mechanical devices are not substitutes for common sense.
5. Never leave a loaded gun unattended.
6. Store guns and ammunition separately out of reach of children and untrained adults.

WARNING Always unload your pistol before storage whether in or out of the provided box. Never place a loaded pistol in the storage box.

7. Be sure the magazine is removed and the gun is unloaded before cleaning.
8. Do not attempt to modify the gun's trigger or safeties.

9. Be sure of your target before shooting. Ask yourself what your bullet might hit if it misses the target.
10. Never shoot at water or other flat hard surfaces. Bullets can ricochet.
11. Always wear ear and eye protector when shooting and require their use by anyone shooting with you.
12. Use only high quality ammunition of the proper caliber for the gun you are shooting.
13. Never let dirt, snow or water get in the barrel of the gun. Any bore obstruction can cause damage to the firearm and could cause personal injury or death to the shooter or bystanders.
14. Stop shooting immediately if a shot sounds unusual or there is a difference in the recoil. Examine the gun for bore obstructions or other defects before resuming fire.
15. Never drink alcohol or use drugs or medication that could impair your judgement while shooting. This is as negligent as drunk driving!
16. The following types of ammunition should not be used in this pistol, reloaded ammunition, and +P ammunition. Ammunition with (+P) on the case head stamp is loaded to higher pressure. Use only in firearms designed for this cartridge and so recommended by the gun manufacturer.
17. Thoroughly read the instruction manual supplied with your firearm.

Introduction

The DAEWOO DP40 is a .40 S&W semi-automatic pistol designed for law enforcement, defense, military and recreational shooting. It is a light weight service pistol with several novel features. This firearm, and any firearm, is capable of causing serious bodily injury or death when handled improperly. Even though this pistol has been designed with safety in mind, no mechanical safety device can take the place of common sense and adherence to simple safety rules. Before attempting to load or fire the pistol, take the time to study this manual carefully.

WARNING:

This pistol is sold with the understanding that the purchaser assumes all liability resulting from unsafe handling or any action that constitutes a violation of any applicable laws or regulations. Century shall not be liable for personal injury or loss of property or life resulting from the use of this pistol under any circumstances including intentional, reckless, negligent or accidental discharge. Further, Century will not be liable for any alterations to the pistol or any parts thereof. If the pistol is in need of service or adjustment during the warranty period, it should be returned to Century. For all returns, a return authorization will be needed to be obtained from Century and you should call or write Century at the following : 1-561-998-3210 or 1161 Holland Drive, Boca Raton, Florida U.S.A. 33487, Attn : Customer Service. Returns will not be accepted without an authorization number.

DAEWOO DH40 Instruction Manual

Do not attempt to load or fire this or any other weapon until you are thoroughly familiar with the instructions and warnings contained in this manual.



Fig. 1

Technical Features

The DAEWOO DH40 is a light weight, short recoil, locked breech, semi-automatic pistol chambered for the .40 S&W cartridge. It is suitable for use with any commercially loaded ammunition made to American specifications. The use of +P ammunition is not recommended. (Ammunition with (+P) on the case head stamp is loaded to higher pressure.)

Reloaded ammunition should not be used.

The DH40 may be fired in any of three modes: single-action, double-action and "Fast-Action." See the instructions for an explanation of these terms.

It is equipped with an ambidextrous manual safety as well as a passive firing pin safety. The magazine catch may be reversed for left-handed shooters.

Technical Specifications: DAEWOO DH40

Operation: double-action, short recoil, semi-automatic

Caliber: .40 S&W

Length: 7.4"/188mm

Height: 5.27"/134mm

Barrel Length: 4.17"/106mm

Weight: 32oz.(with empty magazine)/900 grams

Rifling: 6 grooves, left hand 1:16"

Magazine capacity: 10 rounds

Sights: fixed 3-dot

Grips: two-piece black plastic

Material: Frame: Alloy Al., Slide: Alloy steel

Finish: Frame:matte, Slide:polished blue

Safety: ambidextrous manual safety, passive firing pin block

Handling the Pistol

WARNING. Be sure to use only .40 S&W ammunition from a reliable source.

The use of (+P) or handloaded ammunition can result in damage to the pistol and may void any warranty.

A. Loading the Magazine:



Fig. 2

Remove the magazine from the pistol by depressing the magazine catch. Hold the magazine in your left hand and using the right hand, place a cartridge on the magazine follower. Press down and slide the cartridge all the way to the rear so that it is held under the magazine lips—Fig. 2. Repeat this operation until the desired number of rounds are loaded. Many shooters find it easier to use the thumb of the left hand to depress the round and slide it to the rear.

B. Loading the Pistol



Fig. 3



Fig. 4

WARNING : Always keep the pistol pointed in a safe direction when loading.

Insert the loaded magazine into the magazine well of the pistol and insure that it is locked in place—Fig. 3. If the slide has been locked open, the pistol may be loaded by either depressing the slide stop or by simply pulling the slide slightly to the rear and releasing it. If the slide is in the closed position, pull the slide fully to the rear and release—Fig. 4.

WARNING : Keep your finger off the trigger during loading. When the slide is released, the pistol is ready to fire. Engage the manual safety if you do not intend to fire immediately.

C. Shooting the Pistol



Fig. 5



Fig. 6

The DAEWOO DH40 pistol can be fired three ways:

1. **Double-action:** The double-action mode is available only when the hammer has been manually lowered by pulling the trigger while holding the hammer. This procedure can result in discharge of the pistol if the hammer slips— Fig. 5.
2. **Single-action:** The single-action mode of firing is available when the pistol is first loaded and for every shot fired after the first one— Fig. 6.
3. **“Fast-Action”:** The fast-action mode is unique to the DAEWOO DH40 pistol and is made possible by a two-piece hammer design. When the pistol is cocked, the hammer may be manually pushed to the Lowered position without touching the trigger. This may be done with the safety in either the “on” or “off” position. When the hammer is lowered in this manner, the trigger will return to the

foward position. When the safety is disengaged, the pistol may be fired by simply pulling the trigger. The "Fast-Action" method of trigger operation allows the shooter to have a first-shot trigger similar to double-action in length of pull but with the weight of pull that is much like the single-action pull.

WARNING : The user should become completely familiar with the operation of the trigger mechanism with the pistol unloaded before attempting to load and fire the pistol.

Maintenance



Fig. 7



Fig. 8



Fig. 9



Fig. 10

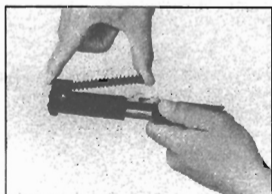


Fig. 11

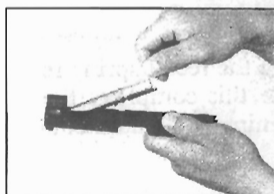


Fig.12

A. Field stripping and Reassembly

Remove the magazine and inspect the chamber to be sure the pistol is unloaded—Fig. 7.

Holding the pistol in the right hand, retract the slide until the clearance cut in the slide is aligned with the top of the pin on the slide stop. (#34)—Fig. 8. The slide stop pin can then be pressed out with the forefinger of the left hand—Fig. 9. With the pin removed, the slide will slip forward and off the pistol. No tools or force are needed for this operation—Fig. 10.

The recoil spring and guide are held in place by a small notch in the bottom of the barrel. To remove the recoil spring and guide, carefully compress the spring slightly and lift up then release the tension—Fig. 11.

WARNING : The recoil spring is under considerable tension and personal injury or property damage can occur if the spring slips. Always keep the spring pointed in a safe direction when removing

With the recoil spring removed, the barrel can be removed from the slide by lifting it up—Fig. 12. Note, this completes the field stripping operation. No further disassembly is needed for normal cleaning and maintenance and detail stripping should only be done by trained gunsmiths.

WARNING : When reassembling the pistol, make sure that the firing pin safety lever (#21) does not extend above the surface of the frame. If it does, assembly cannot be accomplished and there is the risk of damage to the pistol.

Replace the barrel in the slide by inserting the muzzle end into the slide and then slipping it backwards until it falls into place. Insert the open end of the recoil spring into the recess in the slide and compress the spring and guide, until it can be caught in the recess on the barrel.

WARNING : there is considerable spring tension and care must be taken to maintain control of the spring. If it slips, personal injury or property damage can result.

Slip the slide onto the frame and align the clearance cut for the slide stop pin with the slide stop pin hole. Insert the slide stop pin and insure that it is firmly in place. Manually cycle the slide to be sure that it moves freely. This completes the reassembly process.

B. Cleaning

WARNING : Prior to cleaning, remove magazine and assure the chamber is empty.

Normal cleaning can be accomplished with a bore brush, patches and a good cleaning solvent. Excess oil and fouling can usually be wiped off with a rag, although a toothbrush or similar tool may be helpful. If the pistol is extremely dirty, a solvent such as "Gun Scrubber" may be needed. Dip the bore brush in solvent and pass it through the bore several times. Follow with clean dry patches. Wipe excess oil off the barrel, recoil spring, and recoil spring guide. Place a drop or two of a good lubricant such as "Break Free" on the recoil spring guide, the slide rails and the barrel locking lugs before reassembly. If it has been necessary to use a solvent to remove fouling from the frame this will remove all lubricant, and a few drops should be placed on the moving parts of the frame. Also place one drop on the muzzle of the barrel where it contacts the barrel bushing, and one drop on top of the barrel through the ejection port. Do not over-lubricate.

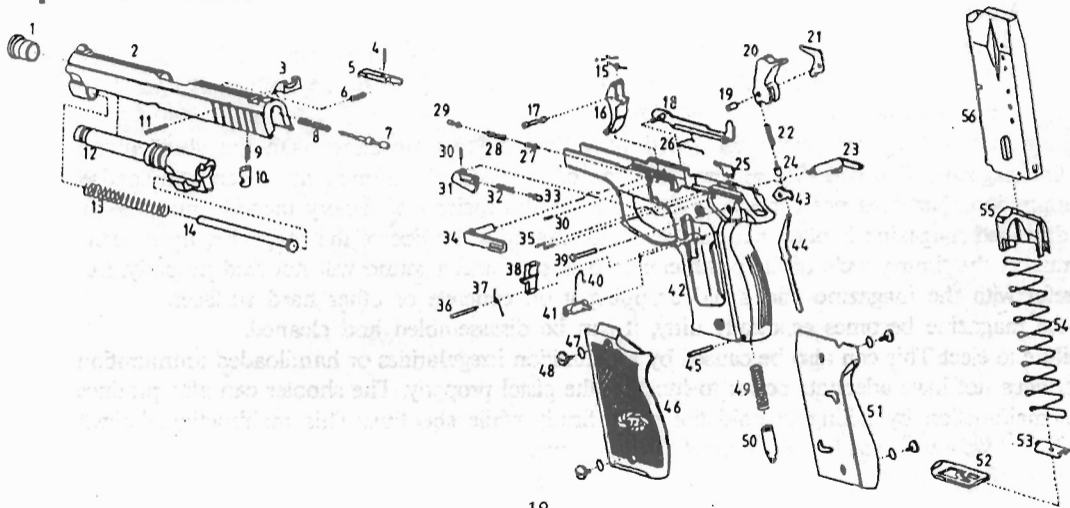
WARNING : Always check to be sure that no cleaning patch or other obstruction remains in the bore or chamber after cleaning.

Trouble-shooting

Although the DAEWOC DH40 is an extremely reliable pistol, malfunctions sometimes occur. Very often these are caused by sources other than the pistol and sometimes the shooter himself is responsible. Generally speaking there are several different types of malfunctions identified as "failure to...feed, eject or fire." Each can be several possible causes:

1. Failure to feed: The most common causes of feeding failures are either with the ammunition or the magazine. Old corroded ammunition can often produce malfunctions as can handloaded ammunition that does not accurately duplicate the dimensions of factory loaded ammunition. A damaged magazine is often responsible. If, for example, the lips of the magazine have been damaged, the timing cycle of the pistol can be disrupted and a round will not feed properly. Be careful with the magazine and avoid dropping it on concrete or other hard surfaces. If the magazine becomes especially dirty, it can be disassembled and cleaned.
2. Failure to eject: This can also be caused by ammunition irregularities or handloaded ammunition that does not have adequate power to function the pistol properly. The shooter can also produce this malfunction by failing to hold the pistol firmly while shooting. This malfunction, known as "limp wristing", results when there is not enough resistance, provided by a firm shooting grip, to allow the pistol to recoil properly.

Explosed View



Parts List

1. Bushing, Barrel
2. Slide
3. Sight, Rear
4. Pin, Extractor
5. Extractor
6. Spring, Extractor
7. Pin, Firing
8. Spring, Firing Pin
9. Spring, Firing Pin Catch
10. Catch, Firing Pin
11. Pin, Lock
12. Barrel
13. Spring, Recoil
14. Guide, Recoil Spring
15. Spring, Trigger
16. Trigger
17. Pin, Trigger
18. Bar, Trigger
19. Bushing, Hammer
20. Hammer
21. Lever, Firing Pin Catch
22. Spring, Hammer Plunger
23. Safety, Right
24. Plunger, Hammer
25. Ejector
26. Spring, Trigger Bar
27. Detent, Slide Stop
28. Spring, Slide Stop
29. Plunger, Slide Stop
30. Pin, Slide Stop Detent
31. Safety, Left
32. Spring, Safety
33. Plunger, Safety
34. Stop, Slide
35. Pin, Ejector
36. Pin, Sear
37. Spring, Sear
38. Sear
39. Pin, Hammer
40. Spring, Magazine Catch
41. Catch, Magazine
42. Frame
43. Insert, Hammer
44. Strut, Hammer
45. Pin, Hammer Spring Guide
46. Plate(L.H.) Grip
47. "O" Ring
48. Screw, Grip

49. Spring, Hammer
50. Guide, Hammer Spring
51. Plate(R.H.) Grip

52. Bottom, Magazine
53. Plate, Magazine Spring
54. Spring, Magazine

55. Follower, Magazine
56. Magazine

Instructions for obtaining service

If your pistol requires service, call and ask for a return authorization number.

Century International Arms. Corp.

1161 Hoiland Drive

Boca Raton, Florida U.S.A. 33487

Tel. 1-561-998-3210 Fax. 1-561-998-3210

Pack the pistol carefully in the original box and include a letter with your name, address, and telephone number, along with an explanation of the problem you are experiencing. If you are having a problem with one specific type of ammunition, please be sure to mention this.

Do not ship loaded guns for service

DAEWOO

DH40

**A COPY OF THIS INSTRUCTION MANUAL IS AVAILABLE
FROM THE FACTORY UPON REQUEST. THESE INSTRUCTION
MANUALS CONTAIN IMPORTANT WARNINGS THAT MUST BE
UNDERSTOOD BEFORE USING THESE FIREARMS.**

Century International Arms. Corp.

1161 Hoiland Drive

Boca Raton, Florida U.S.A. 33487

Printed in Korea 0102