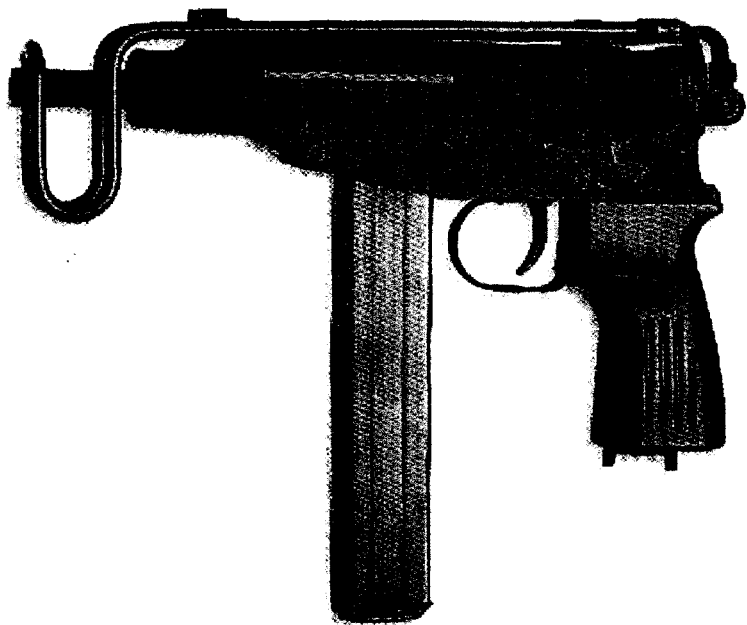
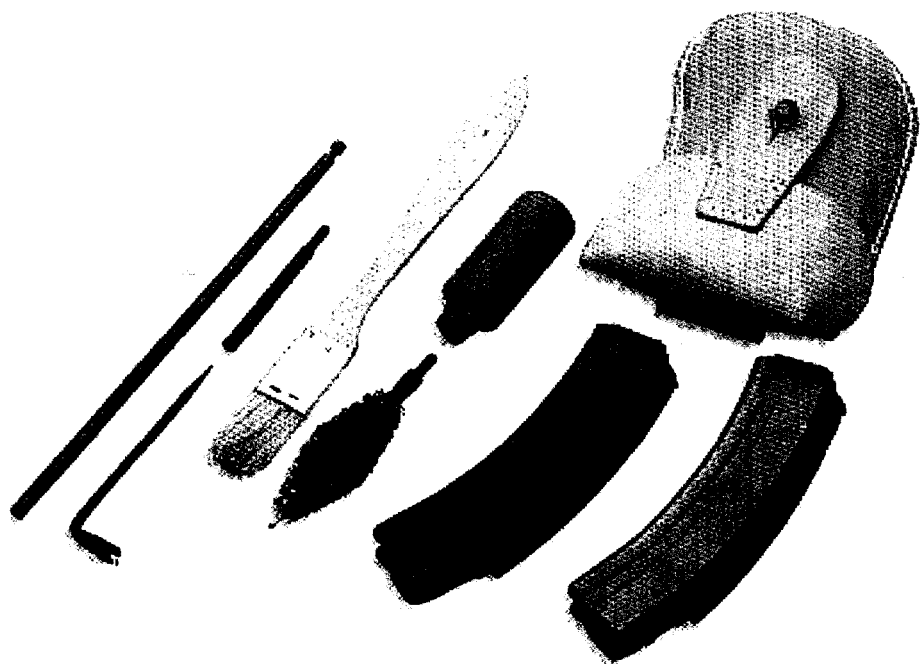


INSTRUCTION MANUAL
SKORPION
MANUAL DE INSTRUCCIONES

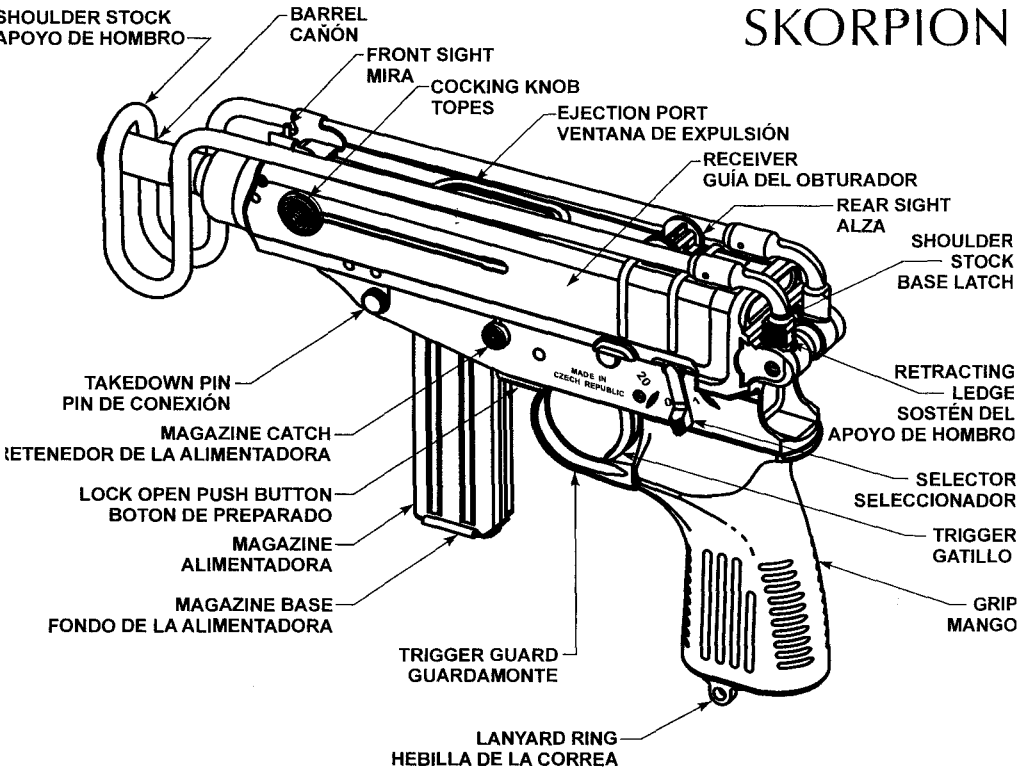


 CZ
ČESKÁ ZBROJOVKA

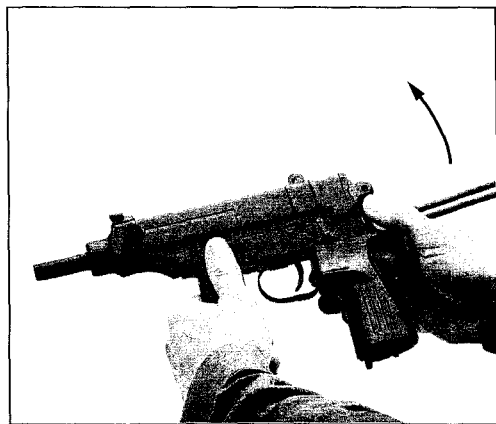


 CZ
ČESKÁ ZBROJOVKA

SKORPION



1)



2)

3)

Before handling the firearm read this manual carefully and observe the following safety instructions.

Improper and careless handling of the firearm could result in unintentional discharge and could cause injury, death or damage to property. Unauthorized modifications or adjustments, corrosion, or the use of non-standard or damaged ammunition can cause the same consequences. In such cases, the manufacturer shall not be held responsible in any manner whatsoever for the resultant consequences.

Before leaving the factory this firearm was tested, carefully inspected, and packed. CZ cannot accept responsibility for product handling while in transit, or upon leaving the factory. Therefore, please examine this firearm carefully at the time of purchase to ensure that it is unloaded and undamaged.

This instruction manual should always accompany this firearm, even when loaned, sold or given.

CONTENS

SAFETY INSTRUCTIONS	3
FIREARM DESCRIPTION AND TERMINOLOGY	5
OPERATING INSTRUCTIONS	6
Ammunition	6
Extending of Shoulder Stock	6
Retracting of Shoulder Stock	6
Removal of the Magazine	6
Magazine Loading	6
Submachine Gun Loading	6
Semiautomatic Fire	7
Automatic Fire	7
Reloading During Shooting	7
Unloading the Submachine Gun	7
Engaging the "Safe" Mode of the Submachine Gun	8
Sight Adjustment	8
Shoulder Stock Removal	8
MAINTENANCE INSTRUCTIONS	9
Stripping for Cleaning – Disassembly	9
Cleaning the Submachine Gun	9
Cleaning the Barrel Bore and the Cartridge Chamber	9
Cleaning of Other Submachine Gun Parts	10
Preserving	10
TROUBLESHOOTING, CAUSES AND REMEDIES	11
ILLUSTRATION AND LIST OF PARTS	12
TECHNICAL SPECIFICATIONS	14
LIST OF ILLUSTRATIONS	14

SAFETY INSTRUCTIONS

Always follow the safety instructions for your own safety and the safety of others.

1. Always handle your firearm as if it were loaded.
2. Never point your firearm at anything you do not intend to shoot.
3. Never take anyone's word that a firearm is unloaded.
4. Always make sure that your firearm is not loaded before laying it down, or handing it to another person.
5. Always keep and carry your firearm empty, with the hammer forward (released), except when you intend to shoot.
6. Never abuse your firearm by using it for any purpose other than shooting.
7. Never leave the firearm cocked and ready to fire unattended.
8. Before loading your firearm ensure that the barrel bore, chamber, and action are clean and clear of obstructions. After shooting, clean a dirtied firearm as soon as possible.
9. Always use only clean, dry, original high quality commercially manufactured ammunition, which is appropriate to the caliber of your firearm.
10. Never drink alcoholic beverages or take drugs before or during shooting.
11. If possible wear both safety glasses and ear protection when shooting.
12. Always keep the safety on when the firearm is loaded and cocked, until you are ready to fire.
13. Always keep clear of, and keep others clear of the ejection port.
14. Never squeeze the trigger or put your finger in the trigger guard until you are aiming at a target and ready to shoot.
15. Always be absolutely sure of your target, and the area behind it, before you squeeze the trigger. A bullet could travel through or past your target up to several hundreds of meters.
16. Never shoot at a hard surface such as rock, or a liquid surface such as water.
17. Never fire your firearm near an animal unless it is trained to accept the noise.
18. Never indulge in "horseplay" while holding your firearm.
19. Failure to fire: always hold the firearm, keeping it pointed towards the target, or a safe open area and wait 30 seconds when the firearm fails to fire. If a hangfire (slow ignition) has occurred, the round will fire within 30 seconds. If the round does not fire, remove the magazine, eject the round and examine the primer; if the firing pin indent on the primer is light, or off center, or non-existent, have the firearm examined by a competent gunsmith.

20. Always make sure your firearm is not loaded before cleaning, storing or travelling.
21. Always keep and store your firearm and ammunition in separate locked receptacles out of the reach and sight of children and untrained people.
22. Never alter any parts of your firearm as the safety and proper function of your firearm could be seriously compromised.
23. Always be aware that corrosion, use of damaged ammunition, dropping the firearm on hard surfaces or other "coarse treatment" could cause damage you may not see. If something like this happens, have the firearm examined and tested by a competent gunsmith.

FIREARM DESCRIPTION AND TERMINOLOGY

The names of basic parts of the submachine gun used in this Instruction Manual are presented in Fig. 1 on the inner side of the left-hand cover. The nomenclature of all parts of this firearm is presented in the section *Illustration and List of Parts*.

Unfold the foldouts of this Instruction Manual when reading it; in order to be able to see all the illustrations printed on the insides of the covers.

The Skorpion submachine gun is a general purpose, light and automatic firearm for individuals. This firearm can be fired either in fully automatic, or in semi-automatic modes of fire. The Skorpion has a simple folding (retractable) stock, thus enabling shooting from shoulder. If the stock is folded (retracted), then this submachine gun can be fired hand-held in semiautomatic or fully automatic modes of fire. The effective range of fire from the shoulder is up to 150 m, hand-held up to 50 m. Its very light weight, and small dimensions, allow the concealed carry and use of this submachine gun in very restricted spaces.

The Skorpion is equipped with a rate reducer used to lower the cyclic rate of fire; this device also absorbs bolt recoil, and steadies the weapon after each shot. The safety-selector lever features three positions: "1"- semiautomatic fire, "20"- fully automatic fire, and "0" -"Safety-On" mode.

The magazines are of double column type with a double column outlet. The Skorpion comes with so called "short" and "long" magazines (see Technical Specifications for their respective capacity). The bolt stays locked open when the last cartridge from the magazine has been fired.

Disassembly for cleaning and preserving purposes of the Skorpion does not require the use of any tools.

OPERATING INSTRUCTIONS

Ammunition

Use only factory-manufactured standard ammunition of an appropriate caliber, which is in compliance with CIP regulations (International Proof Commission for Firearms), or SAAMI (Sporting Arms and Ammunition Manufacturers' Institute Inc. of the United States). The use of other cartridges could damage the firearm or cause malfunctions or injury to the shooter.

Extending of Shoulder Stock

Hold the submachine gun by the grip as if shooting, and push (tap) the curved part of the shoulder stock located beneath the barrel (Fig. 2) from below. Then grasp the shoulder stock and rotate backwards to its extended position.

Retracting of Shoulder Stock

Firmly hold the submachine gun's magazine in the left hand. Using your other thumb, while gripping the "pistolgrip", press the knurled part of the left shoulder-stock holder (as close to the shoulder stock axis of rotation as possible – Fig. 3). After sufficient pressure, rotate the shoulder stock upwards and forward until it catches with the front sight protection capture.

Removal of the Magazine

Hold the submachine gun with the right hand by its grip, and grasp the magazine by the other. Depress the magazine catch with the left-hand thumb (Fig. 4), and with a simultaneous downward motion, remove the magazine.

Magazine Loading

With the open end uppermost, grasp the magazine in one hand. Place a cartridge on the magazine follower, with the cartridge head placed against the rear wall of the magazine. Press the cartridge down until it is inserted under the magazine lips. Place the next cartridge on top of the previous cartridge and load it in the same manner (Fig. 5).

The number of cartridges loaded can be checked by means of the inspection holes in the rear wall of the magazine.

Do not try to exceed the magazine capacity - doing so can cause a feed failure.

Submachine Gun Loading

CAUTION:

ALWAYS MAKE SURE THE SUBMACHINE GUN IS POINTED IN A SAFE DIRECTION WHEN LOADING!

Insert a loaded magazine and ensure that it has engaged the magazine catch.

Disengage the submachine gun safety by rotating the safety-selector lever either to position "1" or to position "20". (The submachine gun with its safety-selector in position "0" i.e. Safe - cannot be loaded!)

Hold the submachine gun by the grip with one hand, and with the thumb and index finger of the other grasp the bolt cocking knobs located on both sides of the receiver. Retract the bolt fully to its stop and then allow it to snap forward (Fig. 6). This procedure cocks the hammer, and inserts a cartridge into the chamber. The submachine gun is now ready to fire. If you do not intend to fire immediately, ensure the submachine gun's safety by setting the safety selector lever to position "0".

Semiautomatic Fire

Semiautomatic fire can be initiated after shifting the safety-selector lever to its "1" position, i.e. rearwards. After pressing the trigger a single cartridge is discharged. The next cartridge is fired after the trigger is released and pressed again.

Automatic Fire

For fully automatic fire, it is necessary to change the safety selector position to "20" i.e. forwards. If the submachine gun is loaded, and the magazine holds a sufficient number of cartridges, then firing can be initiated at any time by pressing the trigger, and interrupted by releasing the trigger. The length of the burst depends on how long the trigger is depressed, and can be from 2 cartridges up to the full capacity of the magazine.

Reloading During Shooting

When the last cartridge has been fired, the bolt stays in its rear (locked open position). Remove the emptied magazine and replace it with a loaded one. Partially retract the bolt, and release it to snap forward. The submachine gun is loaded again, and ready to fire.

Unloading the Submachine Gun

ALWAYS MAKE SURE THE SUBMACHINE GUN IS POINTED IN A SAFE DIRECTION!

- Remove the magazine
- Disengage the submachine gun safety (rotate the safety-selector to position "1" or "20")
- Retract the bolt and verify that the cartridge chamber is empty. (The lock open push button can be depressed, while pulling the bolt back, and then released to hold the bolt in its locked open position, thus enabling verification of the empty cartridge chamber by another person.)
- Allow the bolt to snap forward
- Depress the trigger (dry fire)

Engaging the “Safe” Mode of the Submachine Gun

Rotate the safety-selector lever downwards to the “0” indicator. This procedure blocks the trigger mechanism and bolt, thus preventing both the inadvertent pulling of the trigger and operations of the bolt.

Sight Adjustment

The submachine gun was “sighted-in” at the manufacturing plant, at a distance of 75 m, so that the mean point of impact approximately conforms to the point of aim.

The flip-over rear sight (Fig. 7) can be set for a 150-m range of fire. Contingent sight correction should be carried out by a gunsmith, by rotating the eccentric front sight after partial easing of the front sight sleeve screw.

Shoulder Stock Removal

In case of need there is an option to remove the shoulder stock completely. Extend the shoulder stock and while depressing the shoulder stock base latch, slide the shoulder stock to the left and out.

MAINTENANCE INSTRUCTIONS

Stripping for Cleaning – Disassembly

When disassembling the submachine gun be careful, ensure that no small parts or spring are ejected, lost or cause injury.

POINT YOUR SUBMACHINE GUN IN A SAFE DIRECTION!

1. Remove the magazine.
2. Extend the shoulder stock.
3. Hold the submachine gun with the right hand by the grip. Depress the protruding end of the takedown pin, which projects from the right side of the receiver. (The magazine base can be used to facilitate this operation, and alternatively, place the submachine gun barrel against any fixed object and with appropriate force limit the pressure of the recoil springs.) Then using the thumb and index finger of your left hand, grasp the takedown pin and draw it to the left, up to its stop (Fig. 8).
4. Grasp the receiver with the left hand from above, pull it out a few millimeters to the front, and hinge it upwards (Fig.9).
5. Fully retract the bolt by means of the bolt cocking knobs to the point where the bolt cocking knobs are at the widened ends of the receiver longitudinal slots.
6. Pull out both cocking knobs to the sides. Separate the bolt from the receiver.

CAUTION:

No further disassembly is needed for routine maintenance and preserving. Never attempt to disassemble your submachine gun further. If you assume that your submachine gun requires adjustment or repair, then entrust this task to a competent gunsmith.

Cleaning the Submachine Gun

Clean the submachine gun

- Each time you use it
- If you get your submachine gun wet
- As soon as possible after shooting
- At least once a year in a temperate climate
- As often as once a month in a tropical climate, or other demanding environments

Cleaning the Barrel Bore and the Cartridge Chamber

If the submachine gun has not been fired, or if only a few cartridges have been fired, clean the barrel bore and cartridge chamber by means of a clean patch attached to the cleaning rod.

When the barrel bore is very dirty, apply a gun cleaning solution using a cleaning brush. Let the solvent act for about 10 minutes (time may vary depending on the solvent agent being used). Then thoroughly scrub out the barrel bore. Subsequently, dry the barrel bore and cartridge chamber with a clean patch and check that all powder residues or fouling have been removed. If necessary repeat this procedure.

The cleaning rod and the brush must be inserted into the barrel bore from the chamber, to prevent wear or damage to the muzzle. Pass the brush all the way through the barrel bore before reversing the movement. If you try to change directions with the brush still in the barrel, the brush could stick.

Cleaning of Other Submachine Gun Parts

Other parts of the submachine gun should be cleaned with the enclosed cleaning accessories, or a dry cloth, an old toothbrush, a brass bristle brush or a wooden scraper. Preserving oil or paraffin oil can be used. Never use the agent designed for barrel bore cleaning! These solutions could remain in the joints, and after some time, could cause corrosion.

Check that particles of cloth or brush bristles have not become lodged in any part of the firearm.

Preserving

When the barrel bore, cartridge chamber, and all accessible parts are clean and dry, wipe these parts with a cloth soaked in gun oil or apply the oil in a spray. Remove all excess oil.

Before shooting, always wipe the barrel bore dry. When operating at very low temperatures, remove the oil from all accessible parts, or apply a special lubricant for these conditions.

The use of thick preserving agents, preserving greases, etc., is only for long term storage in demanding climate environment. Before any use of the submachine gun, it must be thoroughly removed from all parts of the firearm.

TROUBLESHOOTING, CAUSES AND REMEDIES

If your submachine gun is properly used and maintained, malfunctions will rarely occur. However, if such a situation should occur, please observe the following instructions.

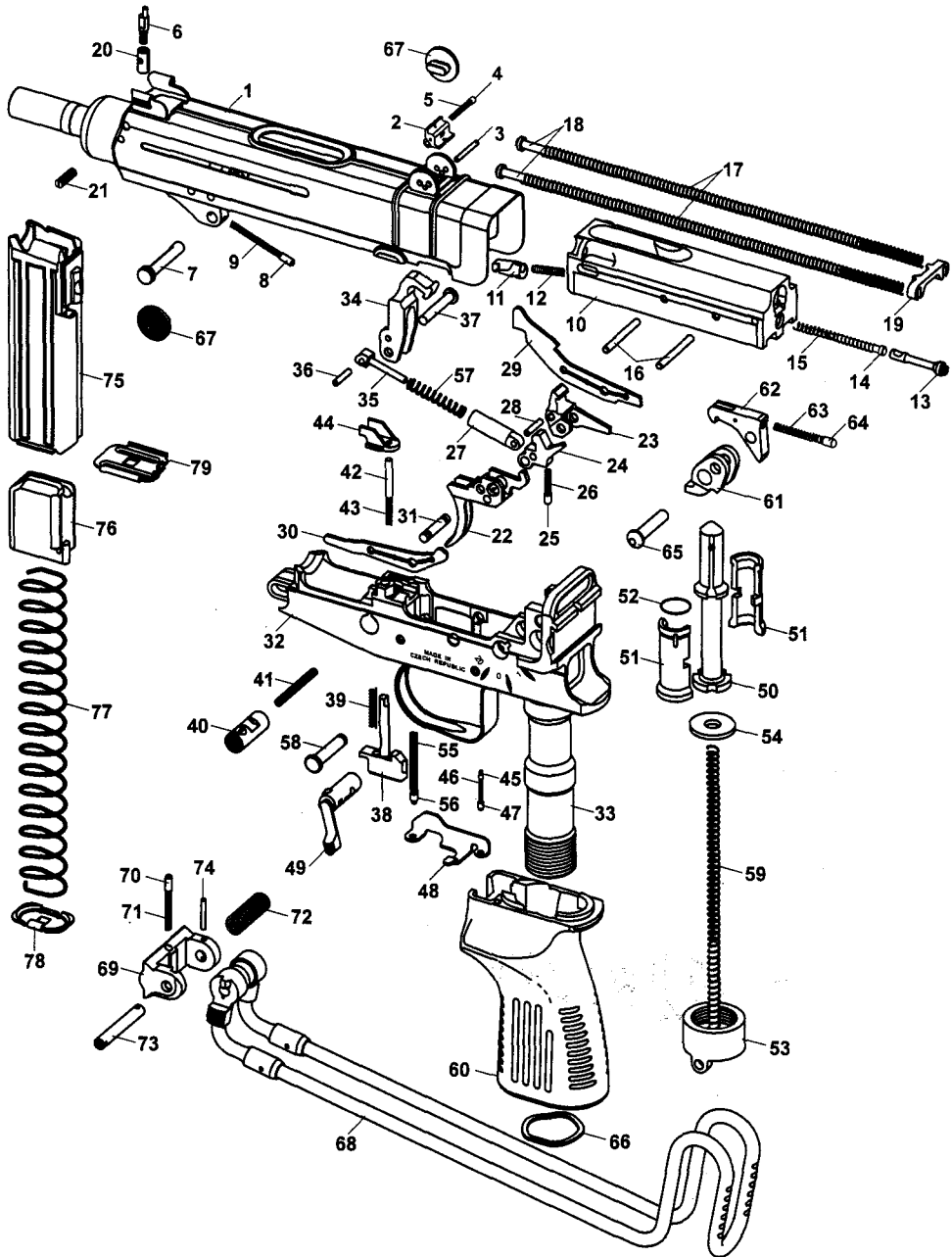
CAUTION - Should a malfunction occur, the possibility of unintentional discharge is substantially increased. For this reason, carefully observe the *Safety Instructions* already mentioned above. Keep the submachine gun pointed in a safe direction, do not turn the submachine gun against your body or anyone else's! Do not place your hands in front of the barrel!

Using "dummy cartridges", practice fast clearing of the malfunctions as described below.

Malfunction	Possible Cause	Remedy
A round has not been fed into the chamber or the bolt has not fully locked with the barrel.	Magazine is not fully inserted or is damaged. The submachine gun or cartridges are fouled (dirty), or too heavily greased.	Insert magazine properly or change magazine. Clean the submachine gun, and wipe cartridges dry, or slightly lubricate, as required.
Misfire	Defective cartridge Firing pin hole fouled (dirty) or improper lubrication agent used under low temperature conditions.	Pull the trigger again. If a discharge is not initiated, follow the Safety Instructions described in point 19. Disassemble and clean the firing pin or use a low temperature lubricant.
A shot sounds "weak", combined with failure to eject the cartridge case.	The primer has been activated, but no powder charge was inside the cartridge case.	Unload the submachine gun and check that the bullet is not lodged in the barrel. A subsequent shot could cause damage to the barrel.
The spent case has not been ejected.	Cartridge chamber, extractor or ammunition is dirty, or unsuitable lubricant used in low temperature environment.	Clean and wipe the submachine gun dry, or lubricate lightly with a suitable agent. Use new and clean ammunition.
In the course of shooting the bolt stays to the rear.	The bolt, guiding rails, or the rate reducer are dirty.	Clean the submachine gun dry, or as the case may be lubricate slightly with appropriate lubricating agent.

If you cannot clear away any malfunction in the manner described above, entrust the submachine gun to a competent gunsmith for inspection and repair.

ILLUSTRATION AND LIST OF PARTS



- 1 Receiver with Barrel
- 2 Rear Sight
- 3 Rear Sight Pin
- 4 Rear Sight Catch
- 5 Rear Sight Catch Spring
- 6 Front Sight
- 7 Takedown Pin
- 8 Takedown Pin Detent
- 9 Detent Spring
- 10 Bolt
- 11 Extractor
- 12 Extractor Spring
- 13 Striker
- 14 Firing Pin
- 15 Firing Pin Spring
- 16 Striker Pin
- 17 Recoil Spring (2x)
- 18 Recoil Spring Rod (2x)
- 19 Recoil Springs Securing Piece
- 20 Front Sight Sleeve
- 21 Front Sight Sleeve Screw
- 22 Trigger
- 23 Sear
- 24 Disconnecter
- 25 Disconnecter Spring Support
- 26 Disconnecter Spring
- 27 Main Spring Guide
- 28 Main Spring Guide Pin
- 29 Controlling Lever
- 30 Connecting Lever
- 31 Trigger Pivot Pin
- 32 Receiver
- 33 Grip Screw Assy.
- 34 Hammer
- 35 Main Spring Strut
- 36 Main Spring Strut Pin
- 37 Hammer Pivot
- 38 Lock Open Push Button
- 39 Lock Open Push Button Spring
- 40 Magazine Catch
- 41 Magazine Catch Spring
- 42 Ejector Detent
- 43 Ejector Detent Spring
- 44 Ejector
- 45 Hammer Stop Latch
- 46 Hammer Stop Latch Spring
- 47 Hammer Stop Latch Support
- 48 Pins and Springs Cover
- 49 Safety - Selector
- 50 Rate Reducer Weight
- 51 Rate Reducer Counterweight (2x)
- 52 Counterweight Ring
- 53 Pistol Grip Cap Assy.
- 54 Pistol Grip Rubber Washer
- 55 Controlling Lever Spring
- 56 Controlling Lever Spring Rest
- 57 Main Spring
- 58 Hammer Stop
- 59 Rate Reducer Spring
- 60 Grip
- 61 Rate Reducer Lever
- 62 Bolt Stop
- 63 Bolt Stop Spring
- 64 Bolt Stop Spring Support
- 65 Rate Reducer Lever Pin
- 66 Pistol Grip Cap Washer
- 67 Cocking Knob (2x)
- 68 Shoulder Stock Assy.
- 69 Shoulder Stock Base
- 70 Base Latch
- 71 Base Latch Spring
- 72 Shoulder Stock Spring
- 73 Shoulder Stock Pivot
- 74 Shoulder Stock Pivot Pin
- 75 Magazine Body Assy.
- 76 Follower
- 77 Magazine Spring
- 78 Magazine Floorplate Lock
- 79 Magazine Floorplate

The Company, reserves the right to make any changes it thinks necessary to improve its models or to meet any requirements of manufacturing or commercial nature.

TECHNICAL SPECIFICATIONS

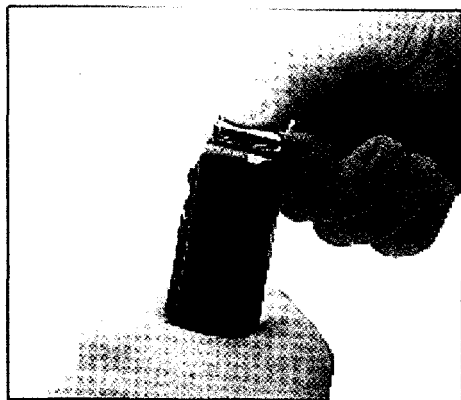
Model	61	82	83
Caliber	7,65 mm Browning (.32 ACP)	9 mm Makarov	9 mm Browning (.380 ACP)
Overall length with retracted stock [mm]	270	270	270
Overall length with extended stock [mm]	517	517	517
Height [mm]	152	152	152
Width [mm]	43	43	43
Barrel length [mm]	115	115	115
Sight radius [mm]	150	150	150
Weight without a magazine [kg]	1.28	1.40	1.44
Magazine capacity [cartridges]	10/20	12/24/30	12/24/30
Empty magazine weight [g]	80/100	100/140/150	100/140/160
Loaded magazine weight [g]	150/260	220/380/460	215/370/450
Technical rate of fire [rpm]	850	900	900
Rear sight graduation [m]	75, 150	75, 150	75, 150
Trigger pull weight [N]	12 - 18	15 - 25	15 - 25
Rifling	6	4	6
Rifling Pitch (R.H.) [mm/turn]	350	290	250
Muzzle velocity [m/s]	310	305	290

LIST OF ILLUSTRATIONS

1. Basic component names
2. Extending of the shoulder stock
3. Retracting of the shoulder stock
4. Removal of the magazine
5. Magazine loading
6. Submachine gun loading
7. Range of fire adjustment
8. Takedown pin protrusion
9. Upward hinging of the receiver with the bolt



④



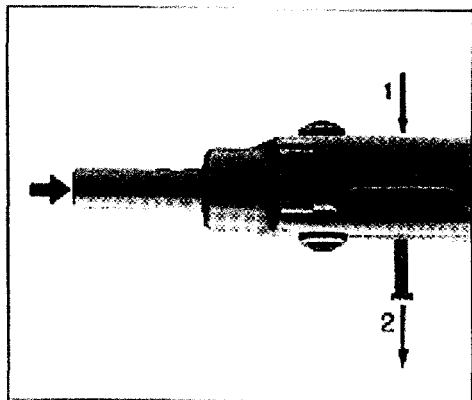
⑤



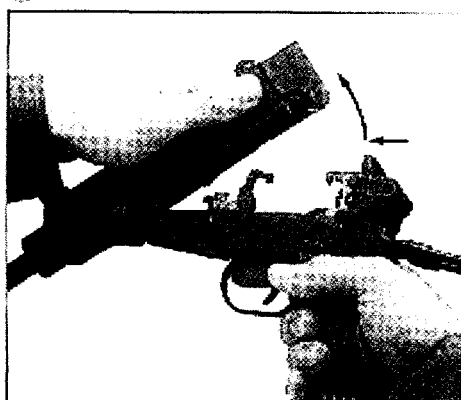
⑥



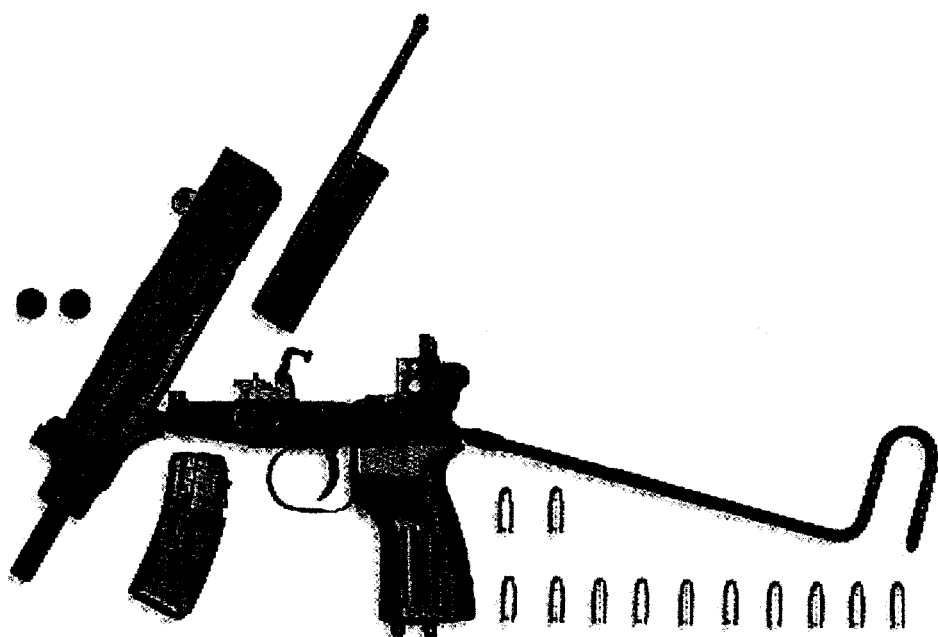
⑦



⑧

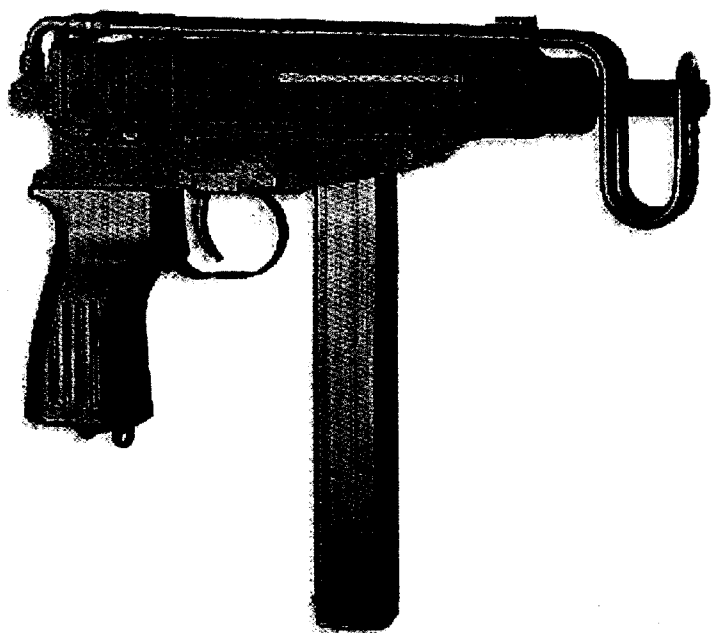


⑨



Ⓢ CZ

ČESKÁ ZBROJOVKA



ČESKÁ ZBROJOVKA

688 27 UHERSKÝ BROD - CZECH REPUBLIC

phone: +420 (0) 633 65 11 11 fax: +420 (0) 633 63 36 65

http://www.czsk.cz

e-mail: info@czsk.cz