

CZ SCORPION EVO 3 A1

**INSTRUCTION MANUAL
MANUAL DE INSTRUCCIONES
NÁVOD NA POUŽITÍ
BEDIENUNGSANLEITUNG
MODE D'EMPLOI**



ČESKÁ ZBROJOVKA
SINCE 1936

Before handling the firearm read this manual carefully and observe the following safety instructions.

Improper and careless handling of the firearm could result in accidental discharge and cause injury, death or damage to property. The same repercussions can be caused by unauthorized modifications or adjustments, corrosion, or use of non-standard or damaged ammunition. In these cases the manufacturer shall not be held responsible in any manner whatsoever for the resulting consequences.

Before leaving the factory the firearm was tested, inspected and packaged in accordance with company policy. Ceska zbrojovka a.s. cannot accept responsibility for product handling whilst in transit after dispatch from the factory. Therefore, examine the firearm carefully upon receipt to ensure that it is unloaded and undamaged.

This instruction manual should always accompany the firearm in the event of loan or further sale.

CONTENTS

SAFETY INSTRUCTIONS	3	Adjusting the gun to individual requirements	9
FIREARM DESCRIPTION AND TERMINOLOGY	5	Removing the shoulder stock	9
OPERATING INSTRUCTIONS	6	MAINTENANCE INSTRUCTIONS	10
Ammunition	6	Stripping for Cleaning	10
Unfolding the shoulder stock	6	Cleaning the Firearm	11
Folding the shoulder stock	6	Cleaning the Barrel and the Chamber	11
Removing the magazine	6	Cleaning of Other Parts	11
Loading the magazine	7	Preservation of Firearm	12
Loading the gun	7	Waste Management	12
Setting the fire mode	7	LIST OF PARTS	13
Locking the gun	8	TROUBLESHOOTING	14
Reloading while firing	8	TECHNICAL SPECIFICATIONS	15
Unloading the gun	8	LIST OF ILLUSTRATIONS	16
Adjusting the sights	8		

SAFETY INSTRUCTIONS

Always follow the safety instructions for your safety and the safety of others.

1. Always handle the firearm as if it were loaded.
2. Never point the firearm at anything you do not intend to shoot at. Also never point a firearm at anybody even in fun.
3. Never take anyone's word that the firearm is unloaded.
4. Always make sure that the firearm is not loaded before laying it down or handing it over to another person.
5. Always store the firearm unloaded with the striking mechanism released.
6. Never abuse the firearm by using it for any purposes other than shooting.
7. Never leave a firearm unattended.
8. Prior to loading the firearm ensure the barrel, chamber and action are clean and clear of obstructions. If the firearm becomes excessively dirty during firing clean it immediately. Always clean the firearm after use.
9. Always use clean and dry original high quality commercially manufactured ammunition, which corresponds to the caliber of the firearm.
10. Never drink alcohol or take drugs before and during shooting.
11. Whenever practical always wear safety glasses and ear protection while shooting.
12. When the firearm is loaded always keep the safety applied until you are ready to fire. Keep the firearm pointed in a safe direction when disengaging the safety.
13. Always keep the ejection port clear of obstructions and people.
14. Never pull the trigger or put your finger within the trigger guard unless you are aiming at a target and ready to fire.
15. Always make absolutely sure of your target and the area behind it before pulling the trigger. The bullet can pass through or past the target up to several hundred meters.

16. Never shoot at a hard surface such as rock, or a liquid surface such as water.
17. Never fire near an animal unless it is trained to withstand the noise.
18. Never indulge in "horseplay" while holding the firearm.
19. Failure to fire: In case it fails to fire, hold the firearm keeping it pointed in a safe direction and wait 30 seconds. If a hangfire (slow ignition) has occurred, the cartridge will fire within 30 seconds. If the cartridge does not fire, eject the cartridge and examine it. If the firing pin indent on the cartridge is light, or non-existent, have the firearm examined by a competent gunsmith.
20. Always make sure your firearm is not loaded before cleaning, storing or travelling.
21. Always keep and store your firearm and ammunition in separate secure locations out of reach and sight of children and unauthorized persons.
22. Never alter any parts of your firearm; the safety and proper function of your firearm could be seriously affected.
23. Always be aware that corrosion, use of damaged ammunition, dropping the firearm on hard surfaces or other "rough treatment" can cause damage that is not necessarily obvious at first sight. If something like this happens, have the firearm examined and tested by a competent gunsmith.

FIREARM DESCRIPTION AND TERMINOLOGY

The designation of the main parts used in this Instruction Manual is presented in Fig. 1 on the inner page of the cover. Nomenclatures of all CZ SCORPION EVO 3 A1 parts are presented in the section *List of Parts*.

The CZ SCORPION EVO 3 A1 submachine gun in caliber 9x19 is a multi-purpose, lightweight automatic personal handgun. It operates in three fire modes: single shot, multiple shot and full burst. The standard version is equipped with a folding shoulder stock, which enables the shooter to support the gun against his shoulder. If the stock is folded, it is possible to shoot with loose hand. When the gun is supported against the shooter's shoulder, the effective range is up to 250 meters while with the folded stock it is up to 50 meters. Thanks to its lightweight and small size, the gun is suitable for concealed carry and for use in narrow spaces.

The submachine gun is supplied with polymer double-column magazines, which feature a double-column mouth and a capacity of 30 cartridges. When the last cartridge has been fired from the magazine the slide remains locked open. It is not necessary to use any tools in order to disassemble the gun for cleaning and preservation. On customer request, the gun can be supplied with various accessories, such as a silencer, several types of torches with attachment clamps, laser pointers, tactical grips as well as collimators. The characteristic features of the submachine gun include:

- the firearm is well-balanced, therefore it is quick and easy to aim
- the accessories can be easily attached on the MIL-STD-1913 military rails
- the ambidextrous safety/mode levers are easily manageable and well accessible
- the disassembly for cleaning and routine maintenance is very simple and can be achieved without any tools
- a high degree of accuracy when firing
- a long service life
- high reliability guaranteed for use in all conditions as well as with ammunition of different manufacturers
- possibility to adjust the gun according to individual requirements (the pistol grip can be adjusted, the cocking handle can be mounted on either side, the stock can be adjusted in length or removed)

OPERATING INSTRUCTIONS

Ammunition

Use only factory manufactured ammunition of corresponding caliber, which is in compliance with CIP regulations (International Proof Commission for Firearms) or SAAMI (Sporting Arms and Ammunition Manufacturers' Institute Inc. of the United States). Use of inappropriate cartridges can damage the firearm or cause injury to the shooter.

Note: If you are not using ogival cartridges, verify their functionality first.

Unfolding the shoulder stock

Grasp the gun, push the shoulder stock slightly downwards and unfold from the folded position beside the gun in a rearward motion. When the shoulder stock is extended, it's catch locates into a slot and it is then secured against unwanted folding. The stock can be adjusted in length by pulling the butt backwards. When inserting the shoulder stock back into the stock tube, it is necessary to press the stock positioner (Fig. 2).

Folding the shoulder stock

Grasp the gun tight with one hand. Press the stock catch using the thumb of the other hand (Fig. 3) and fold the stock to the right side of the gun in the direction of fire until you reach a position when the stock is locked.

Removing the magazine

Grasp the pistol grip of the gun with one hand and the magazine with the other hand. Press the magazine catch with your thumb (Fig. 4) and simultaneously remove the magazine by pulling it downwards. If you want to remove the magazine quickly press the magazine catch with the finger of your firing hand.

Loading the magazine

Grasp the magazine with its housing in the upright position. Place a cartridge on the follower with its base towards the rear side of the magazine and push it downwards until it fits underneath the magazine mouth (Fig. 5). Put the next cartridge on top of the previous one and push it downwards in the same manner.

You can easily monitor the number of cartridges in the transparent magazine while loading it. Do not exceed the capacity of the magazine as it can lead to improper feeding of the first cartridge into the chamber.

Loading the gun

ALWAYS POINT IN A SAFE DIRECTION WHILE LOADING THE GUN!

Insert a loaded magazine into the gun and ensure that the magazine is secured.

Set the fire mode lever onto one of the firing modes.

Grasp the gun by the grip with one hand and the cocking handle located on the left side (or right side, depending on setup) of the hand guard with the other hand. Cock the slide backwards to the rearmost position and release it (Fig. 6). The hammer is now cocked and a cartridge has been fed into the chamber. The gun is now ready to fire. If you are not going to fire immediately lock the gun as described in the paragraph, *Locking the gun*.

Setting the fire mode

You can fire single shots by setting the fire mode lever into the position "I". When the trigger is pulled one cartridge is fired. When the trigger is released and pulled again another cartridge is fired.

In order to fire multiple rounds it is necessary to set the fire mode lever into the position "III". If the gun is loaded and there are enough cartridges in the magazine, when the trigger is pulled and held, three cartridges will be fired. To fire more cartridges the trigger must be released and pulled again. The multiple round mode is limited to three rounds or less if the trigger is released after a short time.

In case you want to fire full burst it is necessary to set the fire mode lever into the position "IIII". If the gun is loaded and there are enough cartridges in the magazine, automatic fire can be started immediately by pulling the trigger and discontinued by releasing it. The number of fired cartridges depends on how long the trigger is pulled and how many cartridges are available in the magazine.

Locking the gun

Set the fire mode lever into the position "0". The trigger mechanism is now locked and it is not possible to pull the trigger (Fig. 7).

Reloading while firing

After the last cartridge has been fired from the magazine the slide remains to the rear (locked open position). Remove the empty magazine and replace it with a loaded one. Pull the cocking handle backwards and release it or press the slide release (Fig. 8). The gun is loaded and ready to fire again.

Unloading the gun

POINT IN A SAFE DIRECTION!

- Remove the magazine
- Set the fire mode lever onto one of the firing modes
- Pull the cocking handle into the rear position and make sure that the chamber is empty. By pushing the cocking handle upwards it is possible to fix the slide in the rear position while another person can check whether the chamber is empty.
- Release the slide
- Pull the trigger (dry fire)

Adjusting the sights

The gun sights are calibrated by the manufacturer to a distance of 50 metres so that the mean point of impact corresponds to the point of aim. A correction of the sight adjustment can be carried out by adjusting the rear sight for windage and elevation.

Adjusting the gun to individual requirements

The position of the pistol grip, which is determined by the distance between the shooter's palm and the trigger, can be easily adjusted to the individual needs of the shooter. The pistol grip can be moved forwards or backwards by loosening the grip screw. After the pistol grip is adjusted the screw must be secured.

The cocking handle can be positioned either on the left or right side of the weapon. It is important to note that the cocking handle comprises of two parts, the handle and the slide rod. In order to reposition the cocking handle you need to remove the hand guard pin and press the cocking handle spring, which secures the cocking handle in position.

Removing the shoulder stock

If the need arises the shoulder stock can be removed. First, partially fold the stock. Then press the stock retaining button at the rear of the stock (Fig. 9) and pull the stock upward from the rails.

When attaching the shoulder stock again first press the stock retaining button and then insert the shoulder stock from above onto the rear rails. After the stock is inserted onto the rails in the correct position, the stock retaining button automatically secures it in place.

MAINTENANCE INSTRUCTIONS**Stripping for Cleaning**

1. POINT IN A SAFE DIRECTION!
2. Remove the magazine.
3. Unfold the shoulder stock.
4. Set the fire mode lever onto one of the firing modes.
5. Move the slide to the rear position with the aid of the cocking handle and retain it by pushing the handle upwards (Fig. 10). The slide is now safely locked in the rear position.
6. Grasp the pistol grip of the gun tightly in one hand. Press the disassembly pin on the right side of the receiver (Fig. 11) with a finger of the opposite hand (if required, this can be achieved by using a magazine base or other suitable object) and extract it from the left side to its outermost position. Then grasp the trigger unit case at the magazine housing and remove it by pulling it in a backward and downward motion.
7. Move the slide slightly backwards with the thumb and pull it downwards. Now it is possible to remove the slide together with the recoil spring.

No further disassembly is needed for routine maintenance. While stripping the gun make sure that no part or spring is ejected, lost or that it causes injuries.

CAUTION:

Do not strip your firearm any further. If you assume that your firearm requires adjustment or repair, entrust this work to a competent gunsmith in a specialized workshop!

Cleaning the Firearm

Clean the Firearm

- after every use
- if it gets wet
- immediately after shooting
- at least once a year in temperate climates
- as often as once a month in tropical or extreme climates

Cleaning the Barrel and the Chamber

If the firearm has not been fired or if only a few cartridges have been fired clean the barrel and chamber by a clean patch attached to the cleaning rod. Repeat the cleaning, changing patches, until the last patch comes out clean.

If the barrel is very dirty, apply a gun cleaning solution with the aid of a cleaning brush. Let the solvent act for about 10 minutes (this time may vary depending on the solvent agent being used). Then scrub out the barrel thoroughly. Subsequently, dry the barrel and chamber with a clean patch and check that all powder residue or fouling has been removed. If necessary repeat this procedure. The cleaning rod and the brush must be inserted into the barrel from the chamber to prevent wear or damage to the muzzle. Pull the brush all the way through the barrel before reversing the movement. If you tried to change the direction of pulling, the brush would get stuck in the barrel.

Cleaning of Other Parts

The other parts of the firearm can be cleaned with a dry cloth, old toothbrush, copper bristle brush or a wooden scraper. Preserving oil or paraffin oil can be used for proper cleaning. Never use the agent designed for barrel cleaning! These solutions can remain in the joints causing corrosion after some time. Check that cloth particles or brush bristles have not lodged in any part of the firearm.

Preservation of Firearm

When the barrel, chamber, and all accessible parts are clean and dry, wipe these parts with a cloth soaked in gun oil or apply an oil in spray form. Remove all excess oil.

Before shooting always pull through the barrel with a dry patch. At very low temperatures remove the oil from all accessible parts or apply a lubricant intended especially for such conditions.

Use thick preserving agents such as preserving grease only for a long-term storage in severe climatic environments and remove it thoroughly before use from all parts of the firearm.

Waste Management

When used properly, the materials used in the product and its packaging have no adverse effects on human health or the environment. When disposing of the product or its packaging, all metal parts (steel and non-ferrous metals), plastics, wood, paper and cardboard should be stored separately in collecting containers intended specifically for that purpose.

LIST OF PARTS

1 Compensator	28 Extractor spring	54 Trigger pin (2x)	81 Stock positioner pin
2 Barrel nut	29 Extractor spring base	55 Automatic trigger	82 Shoulder stock pin (2x)
3 Barrel	30 Slide	56 Hammer pin	83 Shoulder stock
4 Cooler	31 Firing pin block spring	57 Hammer	84 Stock positioner
5 Ring	32 Firing pin block	58 Hammer spring	85 Trigger pin
6 Hand guard	33 Firing pin	59 Hammer lever	86 Stock retaining button spring
7 Hand guard pin	34 Guide stud	60 Block lever	87 Trigger insert
8 Front swivel	35 Recoil spring	61 Trigger housing	88 Hammer catch spring
9 Fixation insert	36 Buffer	62 Trigger	89 Compensator catch
10 Right receiver	37 Rear locking stud	63 Trigger spring	90 Fore sight
11 Cocking handle pin	38 Magazine catch pin	64 Disconnecter	91 Rear sight
12 Cocking handle	39 Magazine catch	65 Ratchet detent	
13 Cocking handle spring	40 Magazine catch spring	66 Ratchet body	
14 Receiver nut (7x)	41 Disassembly pin	67 Ratchet spring	
15 Short receiver screw (4x)	42 Trigger unit casing	68 Ratchet	
16 Long receiver screw (2x)	43 Slide release spring	69 Cam positioner	
17 Medium receiver screw	44 Slide release	70 Right fire mode lever	
18 Pistol grip screw	45 Ejector pin	71 Magazine base	
19 Left receiver	46 Ejector	72 Magazine base catch	
20 Pistol grip nut	47 Trigger case	73 Follower	
21 Striker spring (2x)	48 Case securing screw	74 Magazine body	
22 Stock retaining button	49 Control screw (2x)	75 Magazine spring	
23 Pistol grip	50 Striking mechanism spring (3x)	76 Stock/body joint	
24 Locking pin (2x)	51 Left fire mode lever	77 Stock catch spring	
25 Front locking stud	52 Automatic trigger spring	78 Stock tube	
26 Extractor pin	53 Hammer lever pin	79 Stock catch	
27 Extractor		80 Joint pin	

TROUBLESHOOTING

If the firearm is properly used and maintained, malfunctions will rarely occur. However, if such a situation should occur, please observe the following instructions.

CAUTION - if a malfunction occurs, the risk of an accidental discharge is substantially higher. For this reason, when clearing malfunctions, follow the above mentioned Safety Instructions. Keep the firearm pointed in a safe direction, do not turn the firearm towards your or anyone else's body. Do not place your hands in front of the barrel!

Malfunction	Possible Cause	Remedy
Cartridge is not fed into the chamber or the slide is not locked	Magazine is not fully inserted or is damaged. The firearm or cartridges are fouled (dirty).	Insert magazine properly or change magazine. Clean the firearm and cartridges and wipe them dry or as the situation dictates, slightly lubricate.
Misfire	Defective cartridge. Firing Pin hole is fouled (dirty) or improper lubricant was used in low temperature.	Follow the Safety Instructions according to point 19. Have the gun cleaned by a gunsmith or use a low temperature lubricant.
A shot sounds "weak"	The cartridge has been activated but no powder load was inside the cartridge case or the powder was moist.	Unload the firearm and check that the bullet has not obstructed the barrel. Firing with the gun in this condition can cause injury and damage the barrel!
The spent cartridge case has not been ejected	Chamber, extractor or ammunition are dirty or unsuitable lubricant was used in low temperature.	Clean and wipe the firearm dry and lubricate slightly with recommended lubricant. Use clean and new ammunition.
The slide remains in the rear position while firing	The slide or the guide rails are dirty.	Clean the gun dry and/or use a suitable lubricant.

If you are not able to clear the malfunction in a manner described above, entrust the firearm to a competent gunsmith for inspection and repair.

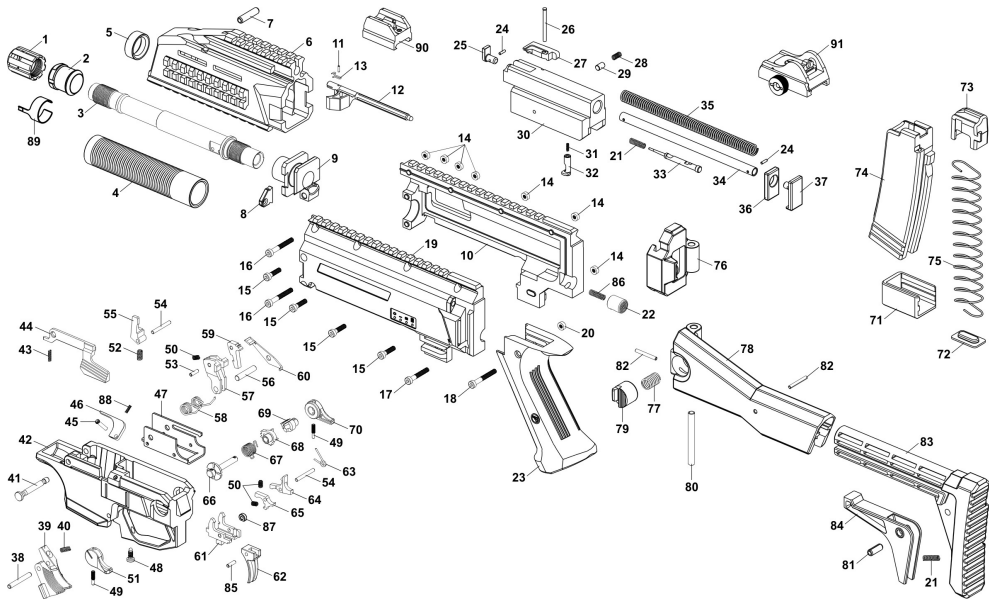
TECHNICAL SPECIFICATIONS

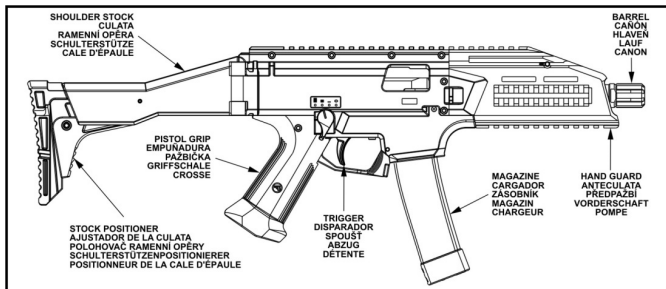
Caliber		9 x 19
Overall length of the gun with folded stock	[mm]	410
Overall length of the gun with unfolded stock	[mm]	670
Overall width of the gun with folded stock	[mm]	85
Overall width of the gun with unfolded stock	[mm]	60
Height of the gun with magazine (without sights)	[mm]	262
Barrel length	[mm]	196
Sights radius	[mm]	240
Magazine capacity	[cartridges]	30
Weight of the gun without magazine and sling	[g]	2720
Weight of the gun with full magazine and sling	[g]	3260
Weight of empty magazine	[g]	120
Theoretical rate of fire (cadence)	[rpm]	1150
The number of cartridges which can be fired from the barrel in continuous fire	[cartridges]	180
Rifling		6
Rifling pitch (R.H.)	[mm/turn]	250 ± 10

LIST OF ILLUSTRATIONS

1. Names of Basic Parts
2. Unfolding the shoulder stock
3. Folding the shoulder stock
4. Removing the magazine
5. Loading the magazine
6. Loading the gun
7. Locking the gun
8. Pressing the slide release
9. Removing the shoulder stock
10. Retaining the slide in locked open position
11. Extracting the disassembly pin

The Company, reserves the right to make any changes that are necessary in order to improve its models or to meet requirements of production or marketing.





1



2



3



4



5



6



7



8



9



10



11