

INSTRUCTION MANUAL  
**CZ 92**



ČESKÁ ZBROJOVKA

**Before handling the pistol read this manual carefully and observe the following safety instructions.**

Improper and careless handling of the pistol could result in unintentional discharge and could cause injury, death or damage to property. The same consequences can be caused by unauthorized modifications or adjustments, corrosion, or use of non-standard or damaged ammunition. In these cases the manufacturer shall not be responsible in any manner whatsoever for the resultant consequences.

Before leaving the factory this pistol was tested, carefully inspected, and packed. CZ cannot accept responsibility for product handling while in transit, or upon leaving the factory. Therefore, please examine this pistol carefully at the time of purchase to ensure that it is unloaded and undamaged.

This instruction manual should always accompany this pistol and that even in the case of the loan or sale of this pistol.

## **CONTENTS**

SAFETY INSTRUCTIONS	12
PISTOL DESCRIPTION AND TERMINOLOGY	13
OPERATING INSTRUCTIONS	14
Ammunition	14
Removal of the Magazine	14
Magazine Loading	14
Pistol Loading	14
Unloading the Pistol	15
MAINTENANCE INSTRUCTIONS	15
Stripping for Cleaning - Disassembly	15
Cleaning the Pistol	15
Cleaning the Barrel Bore and the Cartridge Chamber	16
Cleaning of Other Pistol Parts	16
Preserving	16
LIST OF PARTS	17
TROUBLESHOOTING, CAUSES AND REMEDIES	18
TECHNICAL SPECIFICATIONS	19
LIST OF ILLUSTRATIONS	20

## SAFETY INSTRUCTIONS

Always follow the safety instructions for your safety and the safety of others .

1. Always handle your pistol as if it were loaded.
2. Never point your pistol at anything you do not intend to shoot.
3. Never take anyone's word that a gun is unloaded.
4. Always make sure that your pistol is not loaded before laying it down, or handing it to another person.
5. Always keep and carry your pistol empty.
6. Never abuse your pistol by using it for any purpose other than shooting.
7. Never leave the pistol cocked and ready to fire unattended.
8. Before loading your pistol be sure that the barrel bore, chamber, and action are clean and clear of obstructions. After shooting, clean the dirtied pistol as soon as possible.
9. Always use only clean, dry, original high quality commercially manufactured ammunition, which is appropriate to the caliber of your pistol.
10. Never drink alcoholic beverages or take drugs before or during shooting.
11. Always wear safety glasses and ear protection when shooting.
12. Always keep clear and keep others clear of the ejection port.
13. Never squeeze the trigger or put your finger in the trigger guard until you are aiming at a target and ready to shoot.
14. Always be absolutely sure of your target, and the area behind it, before you squeeze the trigger. A bullet could travel through or past your target up to several hundred meters.
15. Never shoot at a hard surface such as rock, or a liquid surface such as water .
16. Never fire your pistol near an animal unless it is trained to accept the noise .
17. Never indulge in "horseplay" while holding your pistol.
18. Failure to fire: always hold the pistol, keeping it pointed towards the target, or a safe open area and wait 30 seconds when the pistol fails to fire. If a hangfire (slow ignition) has occurred, the round will fire within 30 seconds. If the round does not fire, remove the magazine, eject the round and examine the primer; if the firing pin indent on the primer is light, or off center, or non-existent, have the pistol examined by a competent gunsmith.
19. Always make sure your pistol is not loaded before cleaning, storing or travelling.
20. Always keep and store your pistol and ammunition in separate locked receptacles out of reach and sight of children and untrained people.

21. Never alter any parts of your pistol as the safety and proper function of your pistol could be seriously compromised.
22. Always be aware that corrosion, use of damaged ammunition, dropping the pistol on hard surfaces or other "coarse treatment" could cause damage you may not see. If something like this happens allow the pistol to be examined and tested by a competent gunsmith.

## **PISTOL DESCRIPTION AND TERMINOLOGY**

The names of basic pistol parts used in this Instruction Manual are presented in Fig. 1 on the inner side of the left-hand cover. Nomenclatures of all CZ 92 parts are presented in the section *List of Parts*.

The CZ 92 Pistol is designed for personal defense at short distances. The whole technical concept was adapted with this point of view in mind. The CZ 92 Model is a small, light handgun featuring a blowback breech and the double action only (DAO) mode of fire. The hammer returns to the down position after each shot, and for the subsequent shots must be cocked again by pulling the trigger. This ensures sufficient safety against inadvertent discharge and high readiness of this pistol to fire. The pistol is intentionally not equipped with a manual safety so as not to compromise its readiness to fire. For safe maintenance, the pistol is fitted with a magazine safety, which locks the pistol automatically after the magazine is removed.

The CZ 92 pistol is adapted for a comfortable grip in either hand. Due to its purpose the pistol is equipped with a simple sighting rib. The pistol comes with various surface finishes. The CZ 92 is produced in two versions with magazine release located either on side or at the bottom of the grip.

### Comments:

#### *DAO (Double Action Only)*

The trigger mechanism only operates in a double action mode of fire. The hammer returns to the down position after each shot, and for the subsequent shots must be cocked again by pulling the trigger.

## OPERATING INSTRUCTIONS

### Ammunition

Use only factory-manufactured ammunition of appropriate caliber, which are in compliance with CIP regulations (International Proof Commission for Firearms) or SAAMI (Sporting Arms and Ammunition Manufacturers' Institute Inc. of the United States). The use of other cartridges could damage the handgun or cause injury to the shooter .

### Removal of the Magazine

With the version featuring a magazine catch on the side of the pistol, grasp the pistol with your right/left hand and using a thumb/middle finger depress the magazine catch placed on the left side of the pistol. Use the other hand to hold the magazine, and after its release, remove the magazine (Fig. 2).

With the version featuring a magazine catch on the grip butt, grasp the pistol with one hand and with the thumb of the other hand push the magazine catch placed at the butt part of the grip to the rear (Fig. 3). Using the index finger of the same hand remove the magazine, holding the magazine bottom, from the pistol grip.

### Magazine Loading

With the mouth facing upwards, grasp the magazine in one hand. Place a cartridge on the magazine follower. Press the cartridge down and back until its base touches the rear flat edge of the magazine. Place the next cartridge on top of the previous cartridge and press down and back (Fig. 4).

The number of cartridges can be checked through the inspection holes in the side walls of the magazine.

### Pistol Loading

**ALWAYS MAKE SURE THE PISTOL IS POINTED IN A SAFE DIRECTION WHEN LOADING!**

Insert the magazine and ensure that it has engaged the magazine catch.

Hold the pistol by the grip with one hand, and with the thumb and index finger of the other hand, grasp the serrated finger grips on both sides of the slide. Retract the slide to the stop and allow it to snap forward (Fig. 5). This procedure inserts the first cartridge into the chamber. The pistol is now ready to fire.

## Unloading the Pistol

ALWAYS MAKE SURE THE PISTOL IS POINTED IN A SAFE DIRECTION!

- remove the magazine
- draw back the slide and verify the last cartridge has been extracted from the chamber and ejected
- let the slide snap fully forward
- insert an UNLOADED magazine into the pistol grip
- depress the trigger (dry fire)

## MAINTENANCE INSTRUCTIONS

### Stripping for Cleaning - Disassembly

POINT YOUR PISTOL IN A SAFE DIRECTION!

1. Remove the magazine.
2. MAKE SURE THAT THERE IS NO CARTRIDGE IN THE CHAMBER!
3. Take the pistol in the palm of your left hand. Using a thumb, hold the back strap of the grip and with remaining fingers grasp the slide from above and retract it slightly (about 10 mm) backwards until the transversal slot sited at the lower part of the ejection port is placed opposite the fixing lug on the barrel (Fig. 6).
4. Using the right hand rotate the barrel muzzle in about 90° to the right (Fig. 7) and remove the slide with the barrel in a forward motion.
5. Rotate the barrel in relation to the slide to its initial position, tilt down its rear end and slide it out the slide.
6. Remove the recoil spring and guide from the frame.

### CAUTION:

No further disassembly is needed for routine maintenance (Fig. 8). Do not try to dismantle more parts than previously described. If you assume that your pistol requires adjustment or repair, entrust this work to a competent gunsmith in a specialized workshop!

### Cleaning the Pistol

Clean the pistol

- each time you use it
- if you get your pistol wet
- as soon as possible after shooting
- at least once a year in a temperate climate
- as often as once a month in a tropical climate, or other demanding environment

### **Cleaning the Barrel Bore and the Cartridge Chamber**

If the pistol has not been fired or if only a few cartridges have been fired, clean the barrel bore and cartridge chamber by the clean patch attached to the cleaning rod. Repeat the cleaning, changing patches, until the last patch comes out clean.

When the barrel bore is very dirty, apply a gun cleaning solution using a cleaning brush. Let the solvent act for about 10 minutes (this time may vary depending on the solvent agent being used). Then thoroughly scrub out the barrel bore. Subsequently, dry the barrel bore and cartridge chamber with a clean patch and check that all powder residues or fouling have been removed. If necessary repeat this procedure.

The cleaning rod and the brush must be inserted into the barrel bore from the chamber, to prevent wear or damage to the muzzle. Pass the brush all the way through the barrel bore before reversing the movement. If you try to change directions with the brush in the barrel, the brush could stick.

### **Cleaning of Other Pistol Parts**

Other parts of the pistol (including the external surfaces of the barrel) should be cleaned with a dry cloth, old toothbrush, brass bristle brush or a wooden scraper. Preserving oil or paraffin oil can be used for proper cleaning. Never use the agent designed for barrel bore cleaning! These solutions could remain in the joints, and after some time could cause corrosion.

Check that cloth particles or brush bristles have not become lodged in any part of the pistol.

### **Preserving**

When the barrel bore, cartridge chamber, and all accessible parts are clean and dry, wipe these parts with a cloth soaked in gun oil or apply the oil in a spray. Remove all excess oil.

Before shooting always wipe the barrel bore dry. At very low temperatures remove the oil from all accessible parts or apply a lubricant prepared especially for these conditions.

Use thick preserving agents for example, preserving grease only for a long-term storage in demanding climate environments, and before any use of the pistol it must be thoroughly removed from all parts of the firearm.

**LIST OF PARTS**

1	Magazine Catch *	21	Slide
2	Ejector	22	Extractor
3	Hammer Strut	23	Firing Pin
4	Hammer Pin	24	Barrel
5	Trigger Pin	25	Recoil Spring Guide
6	Catch Pin *	26	Extractor Spring
7	Hammer Spring	27	Extractor Spring
8	Catch Spring *	28	Firing Pin Spring
9	Trigger Spring	29	Recoil Spring
10	Trigger Bar Spring	30	Pin
11	Pistol Grip	31	Magazine Body
12	Grip Screw	32	Magazine Base
13	Grip Nut	33	Magazine Base Lock
14	Frame	34	Magazine Spring
15	Side Plate	35	Follower
16	Screw	36	Magazine Catch
17	Hammer	37	Magazine Catch Lock
18	Pin (2x)	38	Magazine Catch Lock Pin
19	Trigger	39	Catch Spring
20	Trigger Bar		

Comments:

The parts marked with an asterisk (\*) are designed for the version with the magazine catch located at the grip butt.



## TROUBLESHOOTING, CAUSES AND REMEDIES

If your pistol is properly used and maintained, malfunctions will rarely occur. However, if such a situation does occur, please observe the following instructions.

**CAUTION** - If a malfunction occurs, the possibility of unintentional discharge is substantially increased. For this reason, carefully observe the *Safety Instructions* already mentioned above. Keep the pistol pointed in a safe direction, do not turn the pistol against your body or anyone else's! Do not place your hands in front of the barrel!

If you use your pistol for self-defense, or in law enforcement, please acquire so-called "dummy cartridges" and practice fast clearing of malfunctions as described below.

Malfunction	Possible Cause	Remedy
A round has not been fed into the chamber or the slide has not fully locked with the barrel.	Magazine is not fully inserted or is damaged.  The pistol or cartridges are fouled (dirty) or too heavily greased.	Insert magazine properly or change magazine.  Clean the pistol and cartridges and wipe them dry or as case may be slightly lubricate.
Misfire.	Defective cartridge.  Firing pin hole fouled (dirty) or improper lubrication agent used under low temperatures conditions.	Pull the trigger again. If a discharge is not initiated, follow the Safety Instructions according to point 18.  Entrust the pistol to a competent gunsmith for the firing pin cleaning or use a low temperature lubricant.
A shot sounds "weak" combined with failure to eject the cartridge case.	The primer has been activated but no powder load was inside the cartridge case.	Unload the pistol and check that the bullet is not lodged in the barrel. A subsequent shot could cause damage to the barrel!
The spent case has not been ejected.	Cartridge chamber, extractor or ammunition dirty, or unsuitable lubricant in low temperature environment.	Clean and wipe the pistol dry or lubricate lightly with a suitable agent. Use new and clean ammunition.

If you cannot clear away any malfunction in the manner described above, entrust the pistol to a competent gunsmith for inspection and repair.

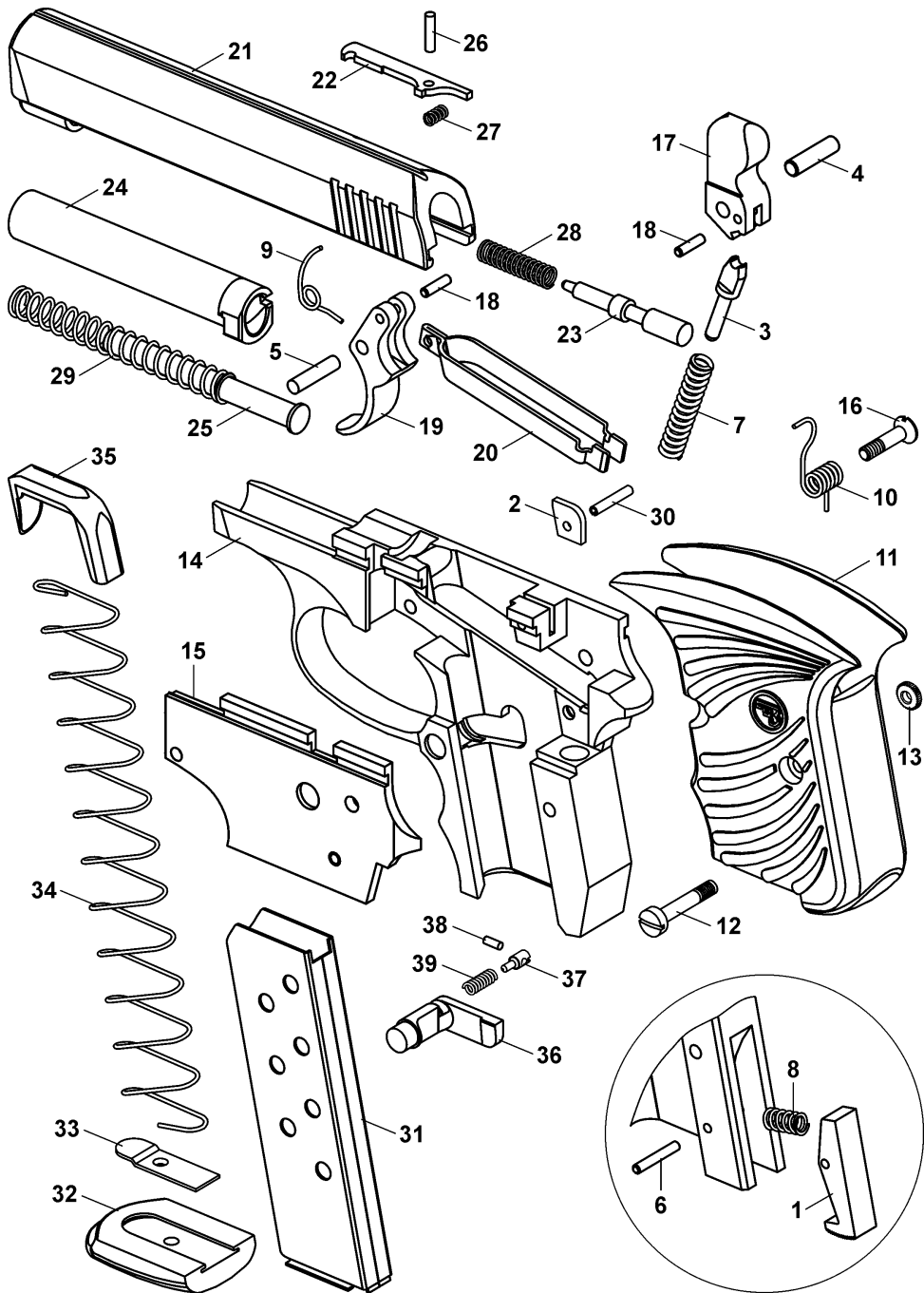
**TECHNICAL SPECIFICATIONS**

Model	Side magazine release	Grip bottom magazine release
Caliber	6,35 mm Browning (.25 ACP)	
Overall length [mm]	126	128
Height [mm]	94,5	88
Width [mm]	24	21
Barrel length [mm]	64	64
Magazine capacity [cartridges]	8	8
Weight with empty magazine [g]	309	400
Empty magazine weight [g]	32	26
Trigger pull weight [N]	max. 70	max. 70

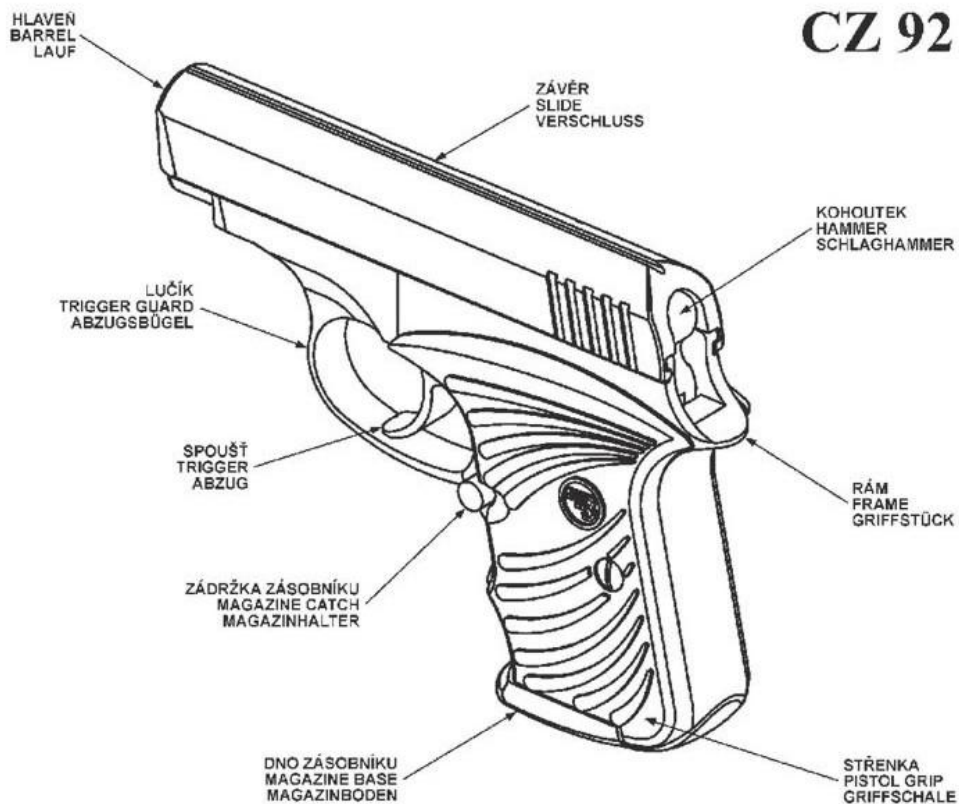
## LIST OF ILLUSTRATIONS

1. The names of basic parts
2. Magazine removal for the version with side magazine release
3. Magazine removal for the version with magazine release placed at the grip bottom
4. Magazine loading
5. Pistol loading
6. Positioning of the slide during disassembly
7. Rotating the barrel to the disassembly position
8. The CZ 92 disassembled for routine maintenance

The Company, reserves the right to make any changes it thinks necessary to improve its models or to meet any requirements of manufacturing or commercial nature.



# CZ 92



①





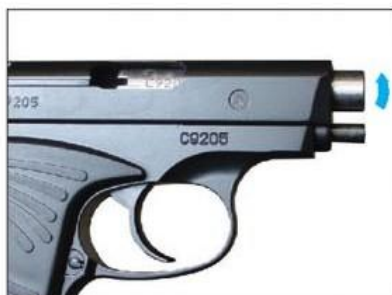
④



⑤



⑥



⑦



⑧



ČESKÁ ZBROJOVKA