

INSTRUCTION MANUAL

CZ 750



ČESKÁ ZBROJOVKA

Before handling the firearm read this manual carefully and observe the following safety instructions.

Improper and careless handling of the firearm could result in unintentional discharge and could cause injury, death or damage to property. The same consequences can be caused by unauthorized modifications or adjustments, corrosion, or use of non-standard or damaged ammunition. In these cases the manufacturer shall not be responsible in any manner whatsoever for the resultant consequences.

Before leaving the factory this firearm was tested, carefully inspected, and packed. CZ cannot accept responsibility for product handling while in transit, or upon leaving the factory. Therefore, please examine this rifle carefully at the time of purchase to ensure that it is unloaded and undamaged.

This instruction manual should always accompany the firearm and that even in the case of its loan or sale.

CONTENTS

SAFETY INSTRUCTIONS	18	MAINTENANCE INSTRUCTIONS	24
THE CZ 750 RIFLE DESCRIPTION AND TERMINOLOGY	20	Stripping for Cleaning - Disassembly	24
OPERATING INSTRUCTIONS	21	Disassembly of the Bolt	24
Ammunition	21	Cleaning the Rifle	24
Magazine Removal	21	Cleaning the Barrel Bore and the Cartridge Chamber	25
Magazine Loading	21	Cleaning of Other Rifle Parts	25
Loading of the Rifle	21	Preserving	25
Unloading of the Rifle	22	ILLUSTRATION AND LIST OF PARTS	26
The Safety and its Operation	22	TROUBLESHOOTING, CAUSES AND REMEDIES	28
Cocking Indicator Operation	22	TECHNICAL SPECIFICATIONS	29
Set-trigger Operation	23	LIST OF ILLUSTRATIONS	30
Trigger Adjustment	23		
Rifle Scope	23		

SAFETY INSTRUCTIONS

Always follow the safety instructions for your safety and the safety of others.

1. Always handle your firearm as if it were loaded.
2. Never point your firearm at anything you do not intend to shoot.
3. Never take anyone's word that a gun is unloaded.
4. Always make sure that your firearm is not loaded before laying it down, or handing it to another person.
5. Always store your rifle unloaded with the striking mechanism released.
6. Never abuse your firearm by using it for any purpose other than shooting.
7. Never leave a loaded firearm unattended.
8. Prior to loading the firearm make sure that barrel bore, chamber, and action are clean and clear of obstructions. Clean a dirtied firearm immediately so that it will function properly and safely.
9. Always use only clean, dry, original high quality commercially manufactured ammunition, which is appropriate to the caliber of your rifle.
10. Never drink alcoholic beverages or take drugs before or during shooting.
11. Always wear safety glasses and ear protection during shooting whenever possible.
12. Always keep the safety on when the rifle is loaded with cartridge in the chamber, until you are ready to fire. Keep firearm pointed in a safe direction when disengaging the safety.
13. A rifle with an activated set-trigger should be handed with maximum care, as even jolts during handling operations could cause an unintended discharge.
14. Always keep clear and keep others clear of the ejection port.
15. Never squeeze the trigger or put your finger in the trigger guard until you are aiming at a target and ready to shoot.

16. Always be absolutely sure of your target, and the area behind it, before you squeeze the trigger. A bullet could travel through or past your target up to several hundred meters.
17. Never shoot at a hard surface such as rock, or a liquid surface such as water.
18. Never fire your firearm near an animal unless it is trained to accept the noise.
19. Never indulge in "horseplay" while holding your firearm.
20. Failure to fire: always hold the firearm, keeping it pointed towards the target, or a safe open area and wait 30 seconds when the firearm fails to fire. If a hangfire (slow ignition) has occurred, the round will fire within 30 seconds. If the round does not fire, remove the magazine, eject the round and examine the primer; if the firing pin indent on the primer is light, or off center, or non-existent, have the rifle examined by a competent gunsmith.
21. Always make sure your firearm is not loaded before cleaning, storing or travelling.
22. Always keep and store your firearm and ammunition in separate locked receptacles out of reach and sight of children and untrained people.
23. Never alter any parts of your rifle as the safety and proper function of your rifle could be seriously compromised.
24. Always be aware that corrosion, use of damaged ammunition, dropping the rifle on hard surfaces or other "coarse treatment" could cause a damage you may not see. If something like this happens, allow let the firearm to be examined and tested by a competent gunsmith.

THE CZ 750 RIFLE DESCRIPTION AND TERMINOLOGY

The names of basic rifle parts used in this Instruction Manual are presented in Fig. 1 on the inner side of the cover. Nomenclatures of all CZ 750 parts are presented in the section *Illustration and List of Parts*.

The CZ 750 is a repeating rifle with a Mauser-type bolt action. The trigger mechanism is of a single set design with an adjustable set-trigger; a single stage trigger is supplied on special order. The trigger is adjustable for pull weight and trigger travel. The safety secures the rifle against unintentional discharge and at the same time blocks the bolt in a closed position. For the scope mount attachment the milled grooves located at the top of the receiver can be used or alternatively the Weaver rib made according to MIL-STD 1913 Standard specifically designed for the scope mount attachment. The stock is made in two versions, either with adjustable plastic stock (under denomination S1) or fixed stock made from laminated wood (under denomination S2) The barrel is made in extended version (denominated as M1) or shortened version (denominated as M2), and the muzzle is fitted with a thread. Characteristic features of all versions are:

- the CZ 750 is well-balanced and consequently quick and easy to aim
- easy mounting of rifle scope
- controlling elements, which are simple in operation, and easy to reach (bolt handle, set-trigger configuration, safety, bolt stop, magazine catch)
- completely adjustable trigger mechanism, alternatives with set-trigger or without set-trigger
- cocking indicator indicates cocking of the striking mechanism
- easy disassembly for cleaning and routine maintenance, which can be carried out without any tools
- a high degree of accuracy when firing
- a long service life
- high functional reliability in all environments, even with ammunitions made by various manufacturers, and with different types of bullets

OPERATING INSTRUCTIONS

Ammunition

Use only factory-manufactured standard ammunition of appropriate caliber, which are in compliance with CIP regulations (International Proof Commission for Firearms and Ammunition) or SAAMI (Sporting Arms and Ammunition Manufacturers' Institute Inc. of the United States). The use of other cartridges could damage the firearm or cause malfunctions or injury to the shooter.

Note: The barrel design is specifically constructed for cartridges featuring Match type bullets.

Magazine Removal

With one hand depress in the forward direction magazine catch located at the front part of the trigger guard (Fig. 2). Remove with the other hand the magazine.

Magazine Loading

With the open end uppermost, grasp the magazine in one hand. Place a cartridge on the magazine follower with the base just forward of the retaining lips. Press the cartridge down and back until its base touches rear flat edge of the magazine (Fig. 3). Place the next cartridge on top of the previous cartridge and slide in as already described.

Loading of the Rifle

ALWAYS MAKE SURE THE RIFLE IS POINTED IN A SAFE DIRECTION WHEN LOADING!

First push in the full magazine by its front side obliquely until it stops, then push the rear side (Fig. 4).

Grip the rifle with the left hand by its fore-end, place the buttplate against your body and grip the bolt handle with the other hand. Open the bolt by raising the bolt handle and pulling to the rear to its stop (Fig. 5). Then push the bolt vigorously to its forward position again and by rotating the bolt handle in a downward direction close the bolt action. This procedure inserts the cartridge into the cartridge chamber and cocks the striker mechanism. The rifle is now ready to fire. If you do not intend to fire immediately, ensure the firearm safety as described further in the section *Safety and its Operation*.

Note:

Loading is also possible for single cartridges by directly inserting into the chamber without the use of a magazine.

Unloading of the Rifle

ALWAYS MAKE SURE THE RIFLE IS POINTED IN A SAFE DIRECTION!

- remove the magazine
- move the safety to its "Safety-Off" position in order that the bolt can be opened
- open the bolt and check to ensure that the cartridge has been extracted from the chamber and ejected
- close the bolt
- depress the trigger (dry fire)

The Safety and its Operation

Shift the safety rearward to its "Safety-On" position (Fig. 6) until the red dot is fully covered. This procedure locks the trigger mechanism and the bolt, it is not possible to discharge a cartridge or manipulate the bolt.

Cocking Indicator Operation

The cocking indicator is located on the rear face of the bolt sleeve (Fig. 7). If the (striker) firing pin is cocked, the cocking indicator protrudes from the bolt sleeve. This protrusion can be checked both by sight and by touch.

Set-trigger Operation

The set-trigger is activated by pushing it in the forward. For the reason of safety, activate the set-trigger only after the rifle is loaded and shortly before shooting. Do not carry your rifle with an activated set-trigger! If you have activated the set-trigger and you do not follow through with firing, keep your firearm pointed in a safe direction while carefully engaging the safety and then squeeze the trigger. Subsequently unload the rifle in the manner described above.

Trigger Adjustment

Independent of whether there is a mounted set-trigger or not, the trigger mechanism can be adjusted with respect to the trigger pull weight, and the trigger travel, before and after discharge (Fig. 8). The adjustment can be performed after taking the barreled action out of the stock by means of the setting screws A (trigger pull), B (trigger travel before) and C (trigger travel after discharge).

If the CZ 750 rifle is fitted with a set-trigger, the adjustment of the set-trigger is carried out by the screw located in front of the trigger (Fig. 9). For safety reasons do not adjust the set-trigger travel as too short, as the rifle with an activated set-trigger is very sensitive to shock, and during handling the rifle could unintentionally discharge. The safety of the set-trigger adjustment can be checked with the rifle unloaded by repeated opening and closing of the bolt combined with moving of the safety to its "ON" and "OFF" positions. The spontaneous release of the trigger must not occur.

Note:

There is a possibility of dismantling the set-trigger from the rifle, without any impairment to the functional properties or adjustment of the conventional trigger. This type of disassembly procedure should be entrusted to a competent gunsmith's workshop.

Rifle Scope

Mounting of the riflescope and sighting-in of the rifle should be entrusted to a qualified gunsmith's workshop.

MAINTENANCE INSTRUCTIONS

Stripping for Cleaning - Disassembly

1. Remove the magazine.
2. Shift the safety to its "SAFETY-OFF" position in order that the bolt can be manipulated.
3. Open the bolt, and after depressing the bolt stop (Fig. 10), pull the bolt rearwards out of the receiver.
4. Check that stock fastening bolts (items 88 and 90) are tight, and tighten them if necessary.

No further disassembly is needed for routine maintenance. When a great number of cartridges has been fired it is advisable to also disassemble the bolt.

Disassembly of the Bolt

BEFORE BOLT DISASSEMBLY CHECK FOR YOURSELF THAT THE CARTRIDGE CHAMBER IS EMPTY!

Cock the firing mechanism by opening the bolt, move it slightly backwards and close it again. Press the disassembly catch (Fig. 7), and keep it depressed, while at the same time open the bolt and move it partially rearwards with the other hand. Unscrew the bolt sleeve together with the firing pin assembly and as already described above pull the rest of the bolt rearwards out of the receiver.

CAUTION: Do not strip your firearm any further. If you assume that your firearm requires adjustment or repair, entrust this work to a competent gunsmith in a specialized workshop!

Cleaning the Rifle

Clean the Rifle

- each time you use it
- if you get your rifle wet
- as soon as possible after shooting
- at least once a year in a temperate climate
- as often as once a month in a tropical climate, or other demanding environment

Cleaning the Barrel Bore and the Cartridge Chamber

If the firearm has not been fired or if only a few cartridges have been fired clean the barrel bore and cartridge chamber by the clean patch attached to the cleaning rod. Repeat the cleaning, changing patches, until the last patch comes out clean.

When the barrel bore is very dirty, apply a gun cleaning solution using cleaning brush. Let the solvent act for about 10 minutes (this time may vary depending on the solvent agent being used). Then thoroughly scrub out the barrel bore. Subsequently, dry the barrel bore and cartridge chamber with a clean patch and check that all powder residues, or fouling have been removed. If necessary repeat this procedure.

The cleaning rod and the brush must be inserted into the barrel bore from the chamber, to prevent wear or damage to the muzzle. Pass the brush all the way through the barrel bore before reversing the movement. If you try to change directions with the brush in the barrel, the brush could stick.

Cleaning of Other Rifle Parts

Other parts of the rifle can be cleaned with a dry cloth, old toothbrush, copper bristle brush or a wooden scraper. Preserving oil or paraffin oil can be used for proper cleaning. Never use the agent designed for barrel bore cleaning! These solutions could remain in the joints, and after some time could cause corrosion. Check that cloth particles or brush bristles have not become lodged in any part of the rifle.

The maintenance of the stock made from laminated wood can be carried out with a dry cloth or by some furniture-polishing product. Plastic stock care requires only wiping the stock with wet cloth.

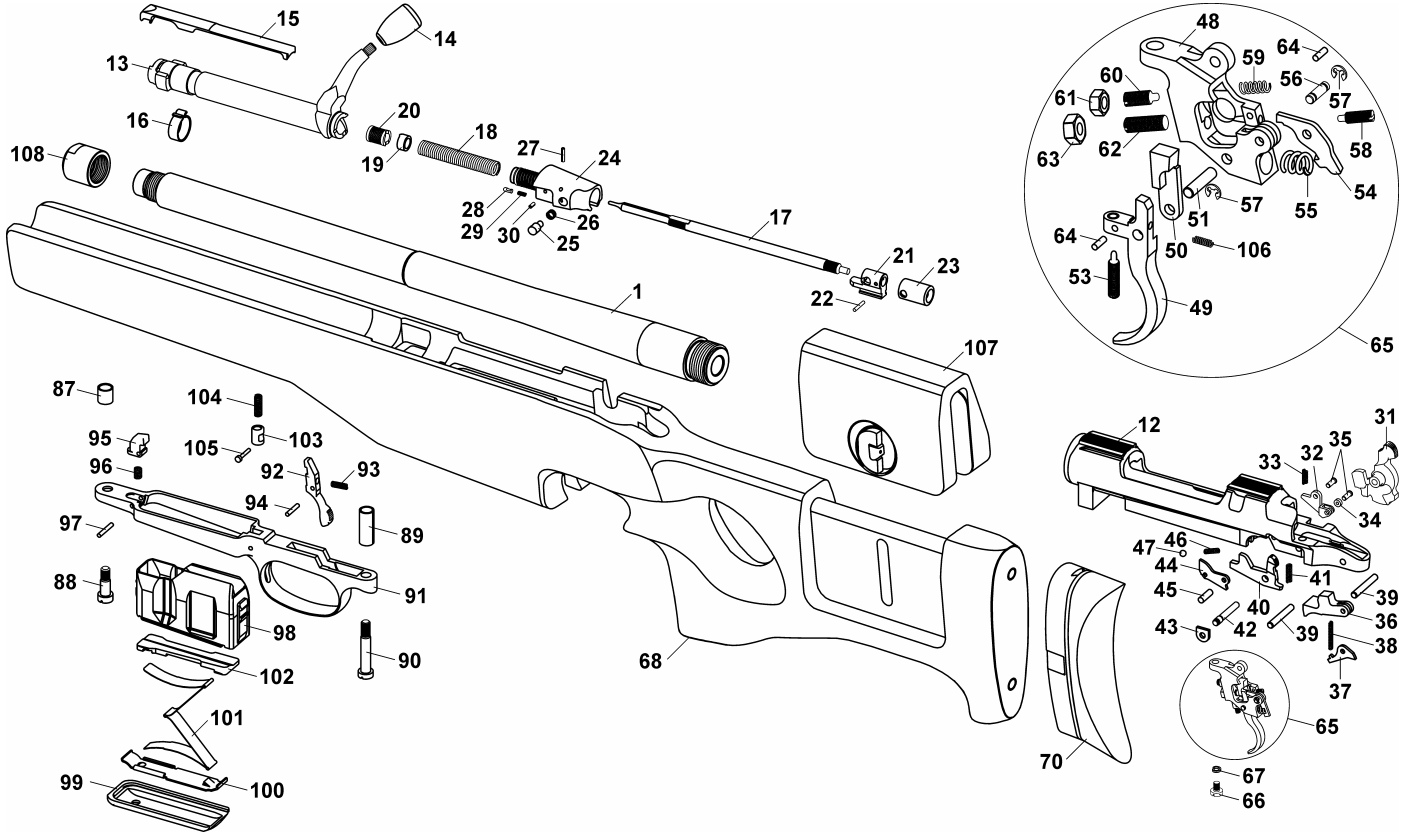
Preserving

When the barrel bore, cartridge chamber, and all accessible parts are clean and dry, wipe these parts with a cloth soaked in gun oil or apply the oil in a spray. Remove all excess oil.

Before the shooting always wipe the barrel bore dry. At very low temperatures remove the oil from all accessible parts or apply a lubricant prepared especially for these conditions.

Use thick preserving agents for example, preserving grease only for long-term storage in demanding climate environments, and before any use of the rifle, it must be thoroughly removed from all parts of the firearm.

ILLUSTRATION AND LIST OF PARTS



1 Barrel	30 Plunger Pin	58 Adjusting Screw (B)	85 -
2 -	31 Safety	59 Spring, Trigger Pull	86 -
3 -	32 Safety Pawl	60 Adjusting Screw, Trigger	87 Front Spacer
4 -	33 Safety Pawl Spring	Pull (A)	88 Frame Screw, Front
5 -	34 Roller	61 Locking Nut	89 Rear Spacer
6 -	35 Safety Pawl Pin (2x)	62 Adjusting Screw, Trigger	90 Frame Screw, Rear
7 -	36 Sear	Overtravel (C)	91 Trigger Guard
8 -	37 Sear Stop	63 Locking Nut	92 Magazine Latch
9 -	38 Sear Spring	64 Nylon Pin (2x)	93 Magazine Latch Spring
10 -	39 Sear Pin (2x)	65 Trigger Mechanism	94 Magazine Latch Pin
11 -	40 Bolt Stop	66 Screw	95 Magazine Catch
12 Receiver	41 Bolt Stop Spring	67 Spring Washer	96 Magazine Catch Spring
13 Bolt	42 Safety Pin	68 Stock	97 Magazine Catch Pin
14 Bolt Handle Knob	43 Retaining Plate	69 -	98 Magazine Shell
15 Extractor	44 Ejector	70 Buttplate Assy	99 Magazine Floor Plate
16 Extractor Collar	45 Ejector Pin	71 -	100 Floor Plate Lock
17 Firing Pin	46 Ejector Spring	72 -	101 Magazine Spring
18 Firing Pin Spring	47 Ball	73 -	102 Follower
19 Support, Firing Pin Spring	48 Trigger Housing	74 -	103 Magazine Ejector
20 Nut, Firing Pin Spring	49 Trigger	75 -	104 Magazine Ejector Spring
21 Cocking Piece	50 Trigger Lever	76 -	105 Magazine Ejector Pin
22 Pin, Firing Pin Nut	51 Trigger Lever Pin	77 -	106 Trigger Spring
23 Cap	52 -	78 -	107 Cheekpiece Assy
24 Bolt Sleeve	53 Adjusting Screw, Set	79 -	108 Muzzle Cover
25 Disassy Catch	Trigger	80 -	
26 Disassy Catch Spring	54 Set Trigger Lever	81 -	
27 Disassy Catch Pin	55 Spring, Set Trigger Lever	82 -	
28 Disassy Catch Plunger	56 Pin	83 -	
29 Plunger Spring	57 Retaining Ring (2x)	84 -	

The numbers marked with dash (-) are stated here for the purpose of conformity with the lists of other rifle parts only.

TROUBLESHOOTING, CAUSES AND REMEDIES

If your firearm is properly used and maintained, malfunctions will rarely occur. However, if such a situation does occur please observe the following instructions.

CAUTION - if a malfunction occurs, the possibility of an unintentional discharge is substantially increased. For this reason, when clearing malfunctions, observe the Safety Instructions already mentioned above. Keep the rifle pointed in a safe direction, do not turn the rifle against your body or anyone else's. Do not place your hands in front of the barrel!

Malfunction	Possible Cause	Remedy
A round has not been fed into the chamber.	Magazine is not fully inserted or is damaged. The rifle or cartridges are fouled (dirty).	Insert magazine properly or change magazine. Clean the rifle and cartridges and wipe them dry or as the case may be slightly lubricate.
Misfire.	Defective cartridge. Firing Pin hole fouled (dirty) or improper lubrication agent used during low temperatures conditions.	Follow the Safety Instructions according to point 20. Disassemble and clean the firing pin or use low temperature lubricant.
A shot sounds "weak".	The primer has been activated but no powder load was inside the cartridge case.	Unload the rifle and check that the bullet is not lodged in the barrel. Any subsequent shot could cause damage to the barrel!
The spent case has not been ejected.	Cartridge chamber, extractor or ammunition dirty or unsuitable lubricant in low temperature environment.	Clean and wipe the rifle dry or eventually lubricate lightly with a suitable agent. Use clean and new ammunition.

If you cannot clear away any malfunction in the manner described above, entrust the rifle to a competent gunsmith for inspection and repair.

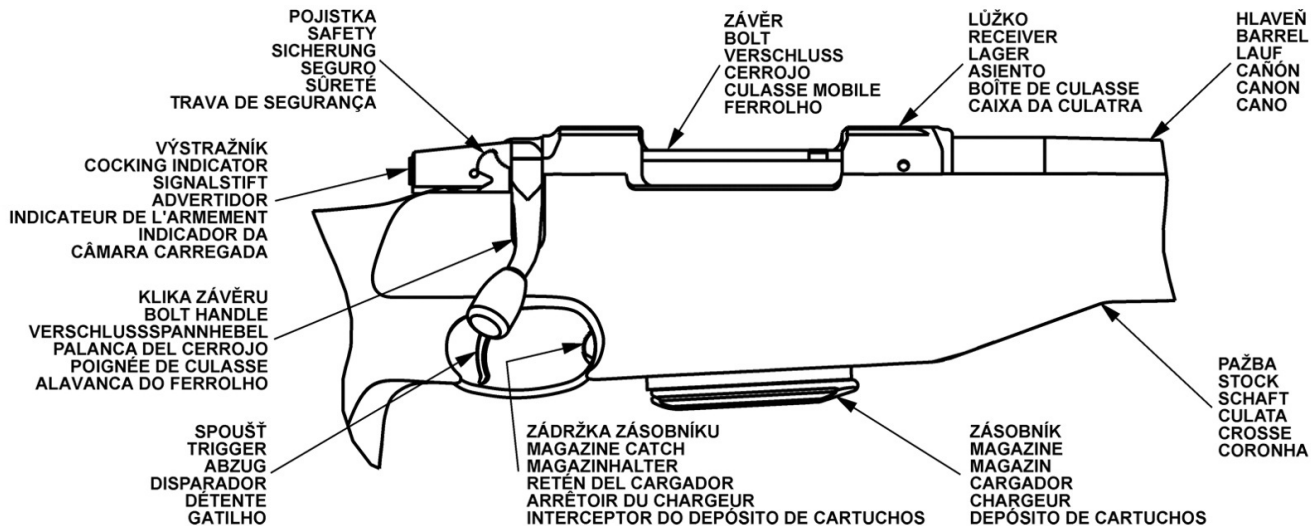
TECHNICAL SPECIFICATIONS

Model		S1M1	S1M2	S2M1	S2M2
Caliber		.243 Winchester .308 Winchester			
Overall Length	[mm]	1220	1017	1195	992
Barrel Length	[mm]	660	457	660	457
Buttplate Adjustment Range	[mm]	32 (4 inserts for 8 mm)	32 (4 inserts for 8 mm)	-	-
Buttplate Height Adjustment	[mm]	60	60	-	-
Cheekpiece Lateral Adjustment	[mm]	5 (4 inserts for 1,2 mm)	5 (4 inserts for 1,2 mm)	-	-
Cheekpiece Height Adjustment	[mm]	37	37	-	-
Weight (Empty Magazine)	[kg]	5,4	4,8	4,7	4,1
Magazine Capacity	[cartridges]	10	10	4	4
Trigger Pull, Adjustment Range	[N]	8 - 22	8 - 22	8 - 22	8 - 22

LIST OF ILLUSTRATIONS

1. The names of basic parts
2. Magazine removal
3. Magazine loading
4. Insertion of the magazine
5. Loading of the rifle
6. The safety in SAFETY-ON mode
7. The close-up of activated cocking indicator (A) and disassembly catch (B)
8. Trigger adjusting screws (A - trigger pull, B - trigger slack, C - trigger overtravel)
9. Set trigger adjusting screw
10. The bolt stop close-up

The Company, reserves the right to make any changes it thinks necessary to improve its models or to meet any requirements of manufacturing or commercial nature.



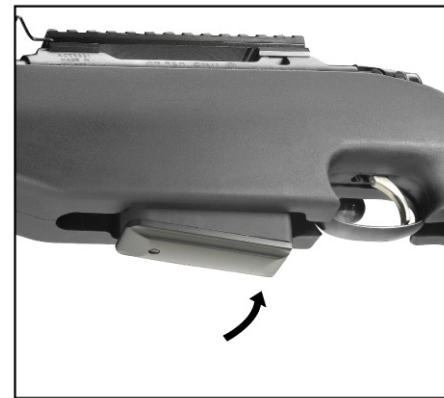
①



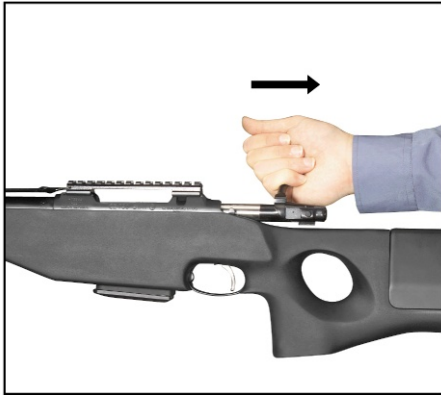
②



③



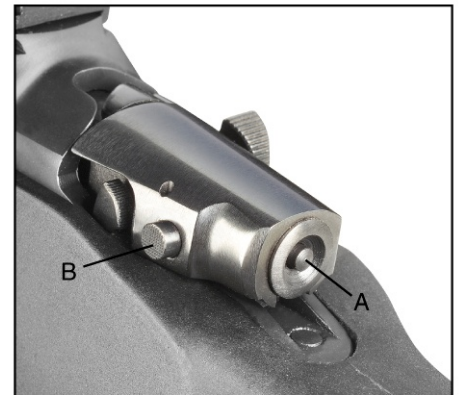
④



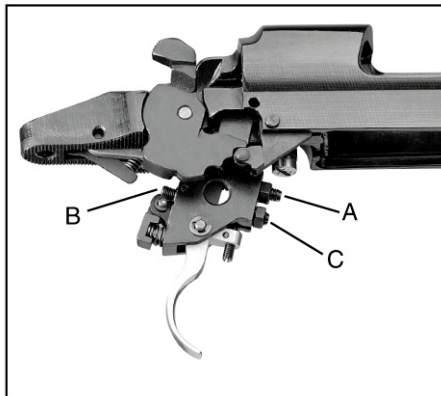
⑤



⑥



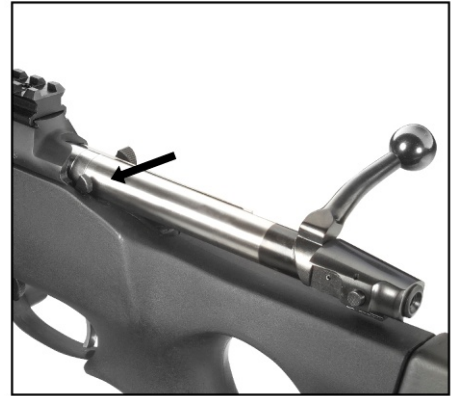
⑦



⑧



⑨



⑩