

INSTRUCTION MANUAL

# Slavia 634



ČESKÁ ZBROJOVKA

**Before handling the air rifle read this manual carefully and observe the following safety instructions.**

Improper and careless handling of the air rifle could result in unintentional discharge and could cause injury, death or damage to property. The same consequences can be caused by unauthorized modifications or adjustments, corrosion, or use of non-standard or damaged ammunition. In these cases the manufacturer shall not be responsible in any manner whatsoever for the resultant consequences.

Before leaving the factory this air rifle was tested, carefully inspected, and packed. CZ cannot accept responsibility for product handling while in transit, or upon leaving the factory. Therefore, please examine this air rifle carefully at the time of purchase to ensure that it is unloaded and undamaged.

This instruction manual should always accompany this air rifle and that even in the case of the loan or sale of this air rifle.

## CONTENTS

SAFETY INSTRUCTIONS	14	MAINTENANCE INSTRUCTIONS	18
AIR RIFLE DESCRIPTION AND TERMINOLOGY	15	Cleaning the Bore	18
OPERATING INSTRUCTIONS	16	Lubrication	18
Ammunition	16	Repairs	19
Handling the Rifle	16	TECHNICAL SPECIFICATIONS	20
Trigger Pull Adjustment	17	LIST OF PARTS	21
Sight Adjustments	17	LIST OF ILLUSTRATIONS	22
Using the Scope and Aperture Sight	17		

## SAFETY INSTRUCTIONS

Always follow the safety instructions for your safety and the safety of others.

1. Always handle your air rifle as if it were loaded.
2. Never point your air rifle at anything you do not intend to shoot.
3. Never take anyone's word that a gun is unloaded.
4. Always make sure that your air rifle is not loaded before laying it down, or handing it to another person.
5. Always keep your air rifle empty, and uncocked except when you intend to shoot.
6. Never abuse your air rifle by using it for any purpose other than shooting.
7. Never leave the air rifle cocked and ready to fire unattended.
8. Always be sure that barrel bore, chamber, and action are clean and clear of obstructions.
9. Always use only clean, dry, original high quality commercially manufactured ammunition, which is appropriate to the caliber of your air rifle.
10. Never drink alcoholic beverages or take drugs before or during shooting.
11. Never squeeze the trigger or put your finger in the trigger guard until you are aiming at a target and ready to shoot.
12. Always be absolutely sure of your target, and the area behind it, before you squeeze the trigger. A bullet could travel through or past your target up to several dozen meters.
13. Never shoot at a hard surface such as rock, or a liquid surface such as water.
14. Never indulge in "horseplay" while holding your air rifle.
15. Always make sure your air rifle is not loaded before cleaning, storing or traveling.

16. Always keep and store your air rifle and ammunition in separate locked receptacles out of reach and sight of children and untrained people.
17. Never alter any parts of your air rifle as the safety and proper function of your air rifle could be seriously compromised.
18. Always be aware that corrosion, use of damaged ammunition, dropping the air rifle on hard surfaces or other "coarse treatment" could cause damage you may not see. If something like this happens let the air rifle to be examined and tested by a competent gunsmith.
19. Don't shoot the gun as long as the barrel isn't completely locked. This operation could cause serious personal injury and or damage to the gun.

## **AIR RIFLE DESCRIPTION AND TERMINOLOGY**

The names of basic air rifle parts used in this Instruction Manual are presented in Fig. 1 on the inner side of the left-hand cover. Nomenclatures of all air rifle parts are presented in the section *List of Parts*.

Spring-piston air rifle with break-barrel cocking CZ 634 Slavia is designed for recreation, basic sport shooting and pest control purposes (if allowed). Characteristic features of air rifle:

- all-steel sights adjustable for windage and elevation, tunnel front sight
- push button safety, preventing an unintentional discharge, enables cautious de-cocking of the rifle
- barrel in the closed position is pull bar latched
- adjustable trigger pull
- receiver tube provided with dovetail grooves for mounting a scope
- dual cocking links
- quality beech-wood stock provided with a low rubber butt-plate

## OPERATING INSTRUCTIONS

### Ammunition

When shooting use only pellets cal. 4,5 mm (.177") or 5,5 mm (.22") according to point 9 of the *Safety Instructions*. Do not use BBs, buckshot, ball bearings or any other foreign objects.

### WARNING:

Not following these instructions could cause failure to discharge the projectile. This could be a dangerous condition causing deterioration of shooting properties, or damage to the rifle.

### Handling the Rifle

**ALWAYS MAKE SURE THE AIR RIFLE IS POINTED IN A SAFE DIRECTION WHEN LOADING!**

Holding the forend of the air rifle in one hand press the stock with your elbow or arm towards the body. With the other hand grasp the barrel close to the barrel housing, pull the latching bar to the front with your thumb (Fig. 2) and slightly tilt the barrel. Then grasp the barrel just behind the front sight and pull downward and to the rear (Fig. 3) until you hear a distinct "click" sound. This sound indicates that the gun is cocked. The safety protrudes from the rear face of the receiver (Fig. 5) and its white neck indicates the "safe" position when the trigger cannot be squeezed.

Ease the pressure on the barrel and insert the pellet into the chamber at the breech end of the barrel. Push the pellet with the finger or thumb until flush with the end (Fig. 4). Return the barrel to its original and latched position. The latching bar needn't be manipulated at this action.

The air rifle is ready to fire while the safety is still on. After the gun is pointed in a safe target direction you can disengage the safety by pushing it inside the receiver (Fig. 6) and squeeze the trigger. The safety can be readily applied and re-applied.

Also the mechanism can be de-cocked by first holding firmly the barrel near the front sight in its extreme cocked position, disengaging the safety and pulling the trigger, the barrel being held will be returned in its initial position. This operation can be done with **extreme caution only**, as it may cause serious injury.

**CAUTION:** The barrel bore and inner surface of the air tube are protected by a preserving agent. Before first use remove this agent by cocking and idle releasing of the air rifle without pellets (dry fire).

### **Trigger Pull Adjustment**

The trigger pull is adjustable in 3 - 10 N range. For safety reasons the trigger pull has been adjusted at the factory close to the maximum setting. Adjustments can be carried out with the screw located at the front part of the trigger guard (Fig. 7). By unscrewing the adjusting screw the trigger pull weight is reduced. One full turn changes the trigger pull weight approximately 0,5 N.

Be more careful when handling the air rifle with the trigger pull weight reduced!

### **Sight Adjustments**

The air rifle has been sighted-in at the factory with an air rifle target at a distance of 10 m (11 yards). When you want to shoot at other distances or under different shooting conditions, it will be necessary to readjust the sights.

Elevation correction is performed with the elevation dial knob (Fig. 8) Turning the elevation dial knob to higher numbers elevates the rear sight (and also the impact point on the target). Turning the elevation dial knob by one number shifts the point of impact by 3 mm at the distance of 10 m.

Windage correction is performed by lateral screw with a wide slot (Fig. 9). Turning the screw clockwise shifts the rear sight to the right (thereby the impact point on the target). For the check-up there are tick marks on the rear sight leaf and blade. One full turn of the lateral screw shifts the point of impact by 10 mm at the 10 m distance.

**NOTE:** The numbers of the elevation dial knob are informative only and do not refer to the distance of shooting.

### **Using the Scope and Aperture Sight**

The CZ 634 Slavia air rifle is provided with dovetail grooves on the receiver, enabling to attach either the scope or aperture sight. For installation and adjustment follow please instructions of their manufacturer.

## MAINTENANCE INSTRUCTIONS

- Do not discharge the rifle without a pellet in the barrel.
- Cock the air rifle shortly before shooting. Unnecessary cocking causes fatigue of the main spring and power of the rifle.
- From time to time check the tightening of both front and rear stock screws, if necessary tighten them.
- After a few hundreds of shots clean and preserve the rifle.
- Store the air rifle in a dry and dust-free environment. Regular care and proper handling will keep it as new and its performance will not be compromised.

### Cleaning the Bore

Wipe the barrel bore with a clean and dry patch attached to the end of a cleaning rod. Repeat changing patches until the last patch comes out clean. When the barrel bore is very dirty clean it with a brush dipped into gun cleaning solution. Wipe the barrel bore dry with a clean patch and check that all the lead residues are removed (lead is mat and darker than the steel surface).

The cleaning rod and the brush to be inserted into the barrel from the chamber side to prevent wear or damage to the muzzle. The brush to be passed all the way through the barrel before changing the movement direction. If you try to change direction with the brush in the barrel, it could stick. Finally preserve the barrel bore and metal parts with a cloth soaked in proper gun oil.

WARNING: Be certain the gun is unloaded before cleaning.

### Lubrication

For the lubrication use only oil or grease recommended by air gun specialists.

With no disassembly there is the access to

- barrel connection screw
- latching plunger
- cocking lever and link pins

To enable lubrication of further parts the stock to be removed after unscrewing the 2 front and 1 rear stock screw. In this condition we can lubricate:

- piston bearing through the cocking lever slot
- trigger pins
- cocking lever surface contacting the receiver (Fig. 10)

At the back assembly take care about the right placing of the guide (Fig. 11).

#### CAUTION:

Lubrication in the working space of cylinder may cause combustion of the lubricant, eventually detonation of its vapor and thereby have a negative influence on the longevity or damage to the receiver system parts.

#### Repairs

Manufacturer of the air rifle doesn't recommend making repairs, which need to disassemble the barreled system. The customer himself can do the exchange of accessible parts, e.g. barrel sealing O-ring, only.

The more demanding repairs relating to troubles or wearing the rifle parts, like:

- exchange of the main spring
- exchange of the piston sealing and bearing
- failure of the safety mechanism
- failure of the cocking mechanism and barrel latching

should be committed to an authorized repair shop.



## TECHNICAL SPECIFICATIONS

Caliber	[mm]	4,5 or 5,5
Number of grooves		10
Overall length	[mm]	1080
Barrel length	[mm]	450
Sight radius	[mm]	420
Weight	[kg]	3,1
Muzzle velocity, typical *	[m.s <sup>-1</sup> ]	~ 220 or 175
Muzzle energy *	[Joule]	~ 16
Cocking effort	[N]	max. 130
Trigger pull adjustment	[N]	3 - 10
Safety		rear thumb safety, automatic
Action		spring-piston, single shot
Operation		break-barrel cocking

\* Values depend on the properties of the used pellets, the a.m. data are valid for 4,5 mm/0,544 g, or 5,5 mm/1,025 g pellets.

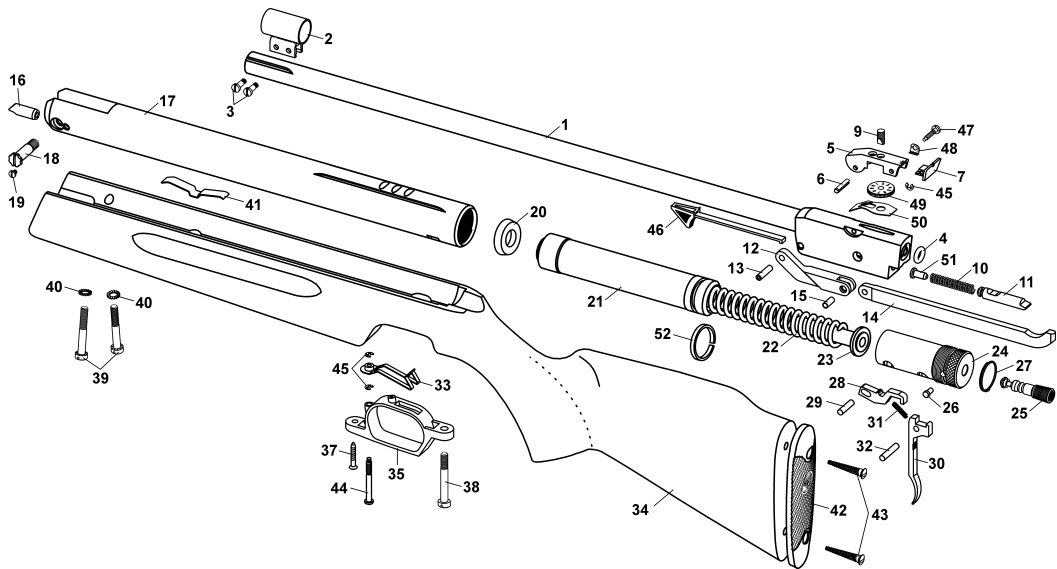
The Company, reserves the right to make any changes it thinks necessary to improve its models or to meet any requirements of manufacturing or commercial nature.

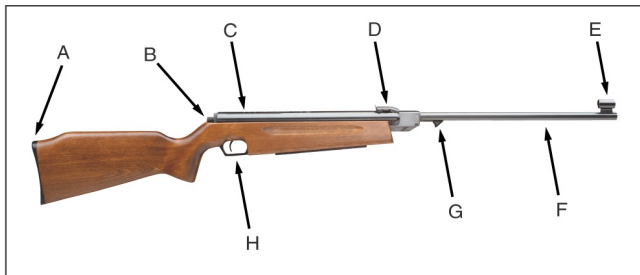
**LIST OF PARTS**

1 Barrel	28 Sear
2 Front Sight	29 Pin 4x16
3 Front Sight Screw (2x)	30 Trigger
4 O-Ring Seal	31 Trigger Spring
5 Rear Sight Leaf	32 Pin 4x20
6 Rear Sight Leaf Pin	33 Trigger Adjustment Spring
7 Rear Sight Blade	34 Stock
8 -	35 Trigger Guard
9 Rear Sight Vertical Screw	36 -
10 Latching Plunger Spring	37 Trigger Guard Screw
11 Latching Plunger	38 Stock Screw, Rear
12 Link	39 Stock Screw, Front (2x)
13 Link Pin	40 Washer (2x)
14 Cocking Lever	41 Guide
15 Cocking Lever Pin	42 Butt Plate
16 Stop	43 Butt Plate Screw (2x)
17 Receiver Tube	44 Adjusting Screw
18 Connection Screw	45 Retaining Yoke Spring (3x)
19 Screw	46 Pull Bar
20 Piston Seal	47 Lateral Screw
21 Piston	48 Spring Washer
22 Main Spring	49 Rear Sight Button
23 Piston Spring Guide	50 Rear Sight Spring
24 Receiver Tube End Plug	51 Fixing Plunger Spring Guide
25 Safety	52 Piston Bearing
26 Safety Catch	
27 Safety Catch Spring	

**LIST OF ILLUSTRATIONS**

1. The names of basic parts
  - A) Rubber butt pad
  - B) Thumb safety
  - C) Scope mount grooves
  - D) Adjustable rear sight
  - E) Hooded front sight
  - F) Rifled barrel
  - G) Barrel latch
  - H) Adjustable trigger
2. Releasing the latching plunger
3. Barrel cocking
4. Inserting the pellet into the barrel
5. Safety in the "On" position
6. Disengaging the safety
7. Trigger pull adjustment
8. Rear sight elevation correction
9. Rear sight windage correction
10. Cocking lever in released condition
11. Inserting the guide into the stock





①



②



③



④



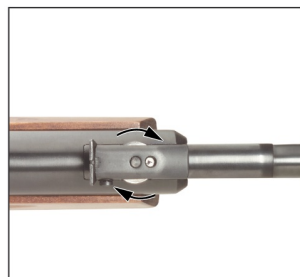
⑤



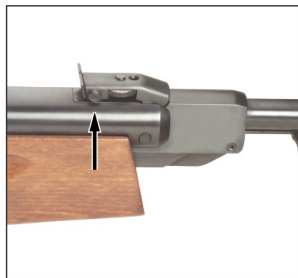
⑥



⑦



⑧



⑨



⑩



⑪