

INSTRUCTION MANUAL

CZ 511



ČESKÁ ZBROJOVKA

Before handling the firearm read this manual carefully and observe the following safety instructions.

Improper and careless handling of the firearm could result in unintentional discharge and could cause injury, death or damage to property. The same consequences can be caused by any unauthorized modifications or adjustments, corrosion, or use of non-standard or damaged ammunition. In these cases the manufacturer shall not be responsible in any manner whatsoever for the resultant consequences.

Before leaving the factory this firearm was tested, carefully inspected, and packed. CZ cannot accept responsibility for product handling while in transit, or upon leaving the factory. Therefore, please examine this firearm carefully at the time of purchase to ensure that it is unloaded and undamaged.

This instruction manual should always accompany the firearm and that even in the case of its loan or sale.

CONTENTS

SAFETY INSTRUCTIONS	16	MAINTENANCE INSTRUCTIONS	21
THE CZ 511 SEMI-AUTOMATIC RIMFIRE RIFLE DESCRIPTION AND TERMINOLOGY	18	Stripping for Cleaning - Disassembly	21
OPERATING INSTRUCTIONS	19	Cleaning the Rifle	21
Ammunition	19	Cleaning the Barrel Bore and the Cartridge Chamber	22
Removal of the Magazine	19	Cleaning of Other Rifle Parts	22
Magazine Loading	19	Preserving	22
Loading of the Rifle	19	TROUBLESHOOTING, CAUSES AND REMEDIES	23
The Safety and its Operation	20	ILLUSTRATION AND LIST OF PARTS	24
Unloading of the Rifle	20	TECHNICAL SPECIFICATIONS	26
Sight Adjustment	20	LIST OF ILLUSTRATIONS	26
Rifle Scope	20		

SAFETY INSTRUCTIONS

Always follow the safety instructions for your safety and the safety of others.

1. Always handle your firearm as if it were loaded.
2. Never point your firearm at anything you do not intend to shoot.
3. Never take anyone's word that a gun is unloaded.
4. Always make sure that your firearm is not loaded before laying it down, or handing it to another person.
5. Always store your rifle unloaded with the striking mechanism released.
6. Never abuse your firearm by using it for any purpose other than shooting.
7. Never leave a loaded firearm unattended.
8. Prior to loading the firearm make sure that barrel bore, chamber, and action are clean and clear of obstructions. Clean a dirtied firearm immediately so that it will function properly and safely.
9. Always use only clean, dry, original high quality commercially manufactured ammunition, which is appropriate to the caliber of your firearm.
10. Never drink alcoholic beverages or take drugs before or during shooting.
11. Always wear safety glasses and ear protection during shooting whenever possible.
12. Always keep the safety on when the rifle is loaded with a cartridge in the chamber, until you are ready to fire. Keep firearm pointed in a safe direction when disengaging the safety.
13. Always keep clear and keep others clear of the ejection port.
14. Never squeeze the trigger or put your finger in the trigger guard until you are aiming at a target and ready to shoot.
15. Always be absolutely sure of your target, and the area behind it, before you squeeze the trigger. A bullet could travel through or past your target up to several hundreds of meters.

-
16. Never shoot at a hard surface such as rock, or a liquid surface such as water.
 17. Never fire your firearm near an animal unless it is trained to accept the noise.
 18. Never indulge in "horseplay" while holding your firearm.
 19. Failure to fire: always hold the firearm, keeping it pointed towards the target, or a safe open area and wait 30 seconds when the firearm fails to fire. If a hangfire (slow ignition) has occurred, the round will fire within 30 seconds. If the round does not fire, remove the magazine, eject the round and examine the primer; if the firing pin indent on the primer is light, or non-existent, have the firearm examined by a competent gunsmith.
 20. Always make sure your firearm is not loaded before cleaning, storing or travelling.
 21. Always keep and store your firearm and ammunition in separate locked receptacles out of reach and sight of children and untrained people.
 22. Never alter any parts of your rifle as the safety and proper function of your rifle could be seriously compromised.
 23. Always be aware that corrosion, use of damaged ammunition, dropping the rifle on hard surfaces or other "coarse treatment" could cause a damage you may not see. If something like this happens let the firearm to be examined and tested by a competent gunsmith.

THE CZ 511 SEMI-AUTOMATIC RIMFIRE RIFLE DESCRIPTION AND TERMINOLOGY

The names of basic smallbore rifle parts used in this Instruction Manual are presented in Fig. 1 on the inner side of the cover. Nomenclature of all CZ 511 parts are presented in the section *Illustration and List of Parts*.

Unfold the fold-outs of this Instruction Manual when reading it, in order to be able to see all the illustrations printed on insides of the covers.

The CZ 511 semi-automatic rimfire rifle enables an excellent performance, thanks to its mechanism and large capacity 8 cartridge magazine. This rifle is predisposed for sport and hunting. It is manufactured in two basic versions:

- Standard** - beech wood stock, semi-matte finish
Lux - walnut wood stock, grip parts checkered

The basic version is designed for cartridges of standard performance or for High Velocity cartridges, and the Subsonic version only for subsonic ammunition.

Characteristic features of all versions are:

- the CZ 511 is well balanced and consequently easy to aim
- controlling elements which are simple in operation, and easy to use
- a high degree of accuracy
- a long service life
- high functional reliability in all environments, even with ammunitions made by various manufacturers, and with different types of bullets
- easy mounting of rifle scope
- easy disassembly for cleaning and routine maintenance, which can be carried out without any tools
- threaded muzzle as an option for attachment of Still or Parker Hale sound moderators

OPERATING INSTRUCTIONS

Ammunition

Use only factory-manufactured ammunition of appropriate caliber, which are in compliance with CIP regulations (International Proof Commission for Firearms) or SAAMI (Sporting Arms and Ammunition Manufacturers' Institute Inc. of the United States). The use of other cartridges could damage the firearm or cause injury to the shooter.

Removal of the Magazine

Press the magazine catch located behind the magazine in a forward direction (Fig. 2) and remove the magazine from the firearm.

Magazine Loading

With the open end uppermost, grasp the magazine in one hand. Place a cartridge on the magazine follower with the base just forward of the retaining lips. Press the cartridge down and back until its base touches rear flat edge of the magazine. Place the next cartridge on top of the previous cartridge and slide in as already described.

Loading of the Rifle

ALWAYS MAKE SURE THE RIFLE IS POINTED IN A SAFE DIRECTION WHEN LOADING!

Insert a loaded magazine into the rifle until it is securely caught by the magazine catch.

Grip the rifle with the left hand by its fore-end, place the buttplate against your body and grip the cocking handle of the bolt with the other hand. Cock the bolt to the stop and allow it to snap forward (Fig. 3). (Do not try to brake the bolt in its forward motion). This procedure inserts a cartridge into the chamber and cocks the firing mechanism. The rifle is now ready to fire. If you do not intend to fire immediately, ensure the firearm safety as described below in the section *The Safety and its Operation*.

The Safety and its Operation

The cross-bolt safety is situated in the rear part of the trigger guard. When the safety is disengaged the red colored part of the cross-bolt protrudes and acts as a warning. Conversely, pressing on this part causes the cross-bolt to engage the safety, and on the opposite side of the trigger guard, the white colored part to appear (Fig. 4). The white color signals Safety-On mode. When the rifle is put on safe the bolt can be operated but the trigger is locked.

Unloading of the Rifle

ALWAYS MAKE SURE THE RIFLE IS POINTED IN A SAFE DIRECTION!

- remove the magazine in the manner as already described
- cock the bolt to the stop and verify that there is no cartridge in the chamber
- let the bolt snap forward
- check that the safety is disengaged so the trigger can be depressed
- depress the trigger (dry fire)

Sight Adjustment

The flip-over rear sight has two blades calibrated for 50 and 100 m (Fig. 5). The CZ 511 semi-automatic rimfire rifle sights were sighted - in at the manufacturing plant at a 50 m distance.

Windage correction can be carried out by drifting of the rear sight in the dovetail, and then is secured in its position by an indentation. Elevation correction is carried out by drifting the front sight in a dovetail. The front sight is secured in its place by a screw. The front sight base is provided with auxiliary lines (Fig. 6). Drifting the front sight by one line shifts the point of impact by 1,8 cm at 50 m distance.

Rifle Scope

Mounting of the rifle scope and sighting-in of the rifle should be entrusted to a qualified gunsmith's workshop.

MAINTENANCE INSTRUCTIONS

Stripping for Cleaning - Disassembly

1. Remove the magazine and make sure that there is no cartridge in the chamber.
2. Using a coin loosen the connection screw and pull it out to the stop (Fig. 7).
3. Grip the barrel in such a way that your fingers will be able to hold the front part of the fore-end. Exerting pressure with the left hand on the trigger guard press the rear part of the barreled action into the stock to its limit. Now grasp the stock with the left hand where the trigger guard is located and using the other hand slide the entire barreled action off the hook (Fig. 8).
4. Press the trigger mechanism catch and slide the trigger mechanism housing out in a rearward direction (Fig. 9).
5. Using the thumb of your right hand slide out the bolt guide, and the recoil spring guide about 10 mm forwards. Using the left hand lift up the bolt guide (Fig. 10) and carefully take the recoil spring with its guide out of the bolt. Then shift the bolt to its most extreme position and separate it from the barreled action.

CAUTION:

Do not strip your firearm any further. If you assume that your firearm requires adjustment or repair, entrust this work to a competent gunsmith in a specialized workshop!

Cleaning the Rifle

Clean the Rifle

- each time you use it
- if you get your rifle wet
- as soon as possible after shooting
- at least once a year in a temperate climate
- as often as once a month in a tropical climate, or other demanding environment

Cleaning the Barrel Bore and the Cartridge Chamber

If the firearm has not been fired or if only a few cartridges have been fired, clean the barrel bore and cartridge chamber by a clean patch attached to a cleaning rod. Repeat, changing patches, until the last patch comes out clean.

When the barrel bore is very dirty, apply a gun cleaning solution using a cleaning brush. Let the solvent act for about 10 minutes (this time may vary depending on the solvent agent being used). Then thoroughly scrub out the barrel bore. Subsequently, dry the barrel bore and cartridge chamber with a clean patch and check that all powder residues or fouling have been removed. If necessary repeat this procedure.

The cleaning rod and the brush must be inserted into the barrel bore from the chamber, to prevent wear or damage to the muzzle. Pass the brush all the way through the barrel bore before reversing the movement. If you try to change directions with the brush in the barrel, the brush could stick.

Cleaning of Other Rifle Parts

Other parts of the rifle can be cleaned with a dry cloth, old toothbrush, copper bristle brush or a wooden scraper. Preserving oil or paraffin oil can be used for proper cleaning. Never use the agent designed for barrel bore cleaning! These solutions could remain in the joints, and after some time could cause corrosion. Check that cloth particles or brush bristles have not become lodged in any part of the rifle.

The maintenance of the stock can be carried out with a dry cloth or by some furniture-polishing product.

Preserving

When the barrel bore, cartridge chamber, and all accessible parts are clean and dry, wipe these parts with a cloth soaked in gun oil or apply the oil in a spray. Remove all excess oil.

Before shooting always wipe the barrel bore dry. At very low temperatures remove the oil from all accessible parts or apply a lubricant prepared especially for these conditions.

Use thick preserving agents for example, preserving grease only for long-term storage in demanding climate environments, and before any use of the rifle it must be thoroughly removed from all parts of the firearm.

TROUBLESHOOTING, CAUSES AND REMEDIES

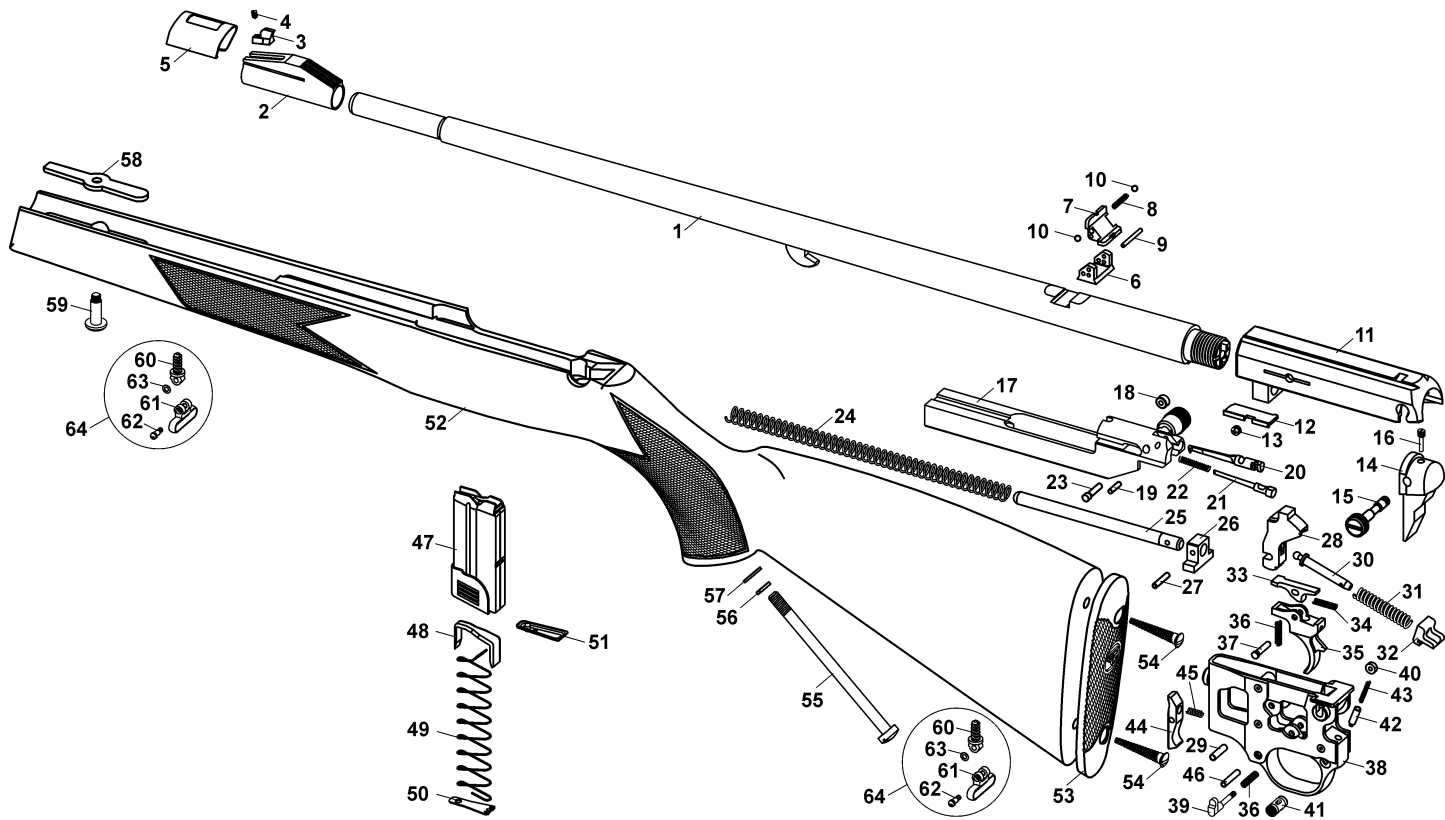
If your firearm is properly used and maintained, malfunctions will rarely occur. However, if such a situation does occur please observe the following instructions.

CAUTION - if a malfunction occurs, the possibility of an unintentional discharge is substantially increased. For this reason, when clearing malfunctions, observe the Safety Instructions already mentioned above. Keep the rifle pointed in a safe direction, do not turn the rifle against your body or anyone else's. Do not place your hands in front of the barrel!

Malfunction	Possible Cause	Remedy
A round has not been fed into the chamber.	Magazine is not fully inserted or is damaged. The rifle or cartridges are fouled (dirty).	Insert magazine properly or change magazine. Clean the rifle and cartridges and wipe them dry or as the case may be slightly lubricate.
Misfire	Defective cartridge. Firing Pin hole fouled (dirty) or improper lubrication agent used during low temperatures conditions.	Follow the Safety Instructions according to point 19. Disassemble and clean the firing pin or use low temperature lubricant.
A shot sounds "weak".	The primer has been activated but no powder load was inside the cartridge case.	Unload the rifle and check that the bullet is not lodged in the barrel. Any subsequent shot could cause damage to the barrel!
The spent case has not been ejected.	Cartridge chamber, extractor or ammunition dirty or unsuitable lubricant in low temperature environment.	Clean and wipe the rifle dry or eventually lubricate lightly with a suitable agent. Use clean and new ammunition.

If you cannot clear away any malfunction in the manner described above, entrust the rifle to a competent gunsmith for inspection and repair.

ILLUSTRATION AND LIST OF PARTS



1 Barrel	26 Bolt Guide	50 Magazine Insert
2 Front Sight Carrier	27 Bolt Guide Pin	51 Magazine Floor Plate
3 Front Sight	28 Hammer	52 Stock
4 Front Sight Screw	29 Hammer Pin	53 Butt Plate
5 Front Sight Hood	30 Hammer Strut	54 Butt plate Screw (2x)
6 Rear Sight Base	31 Mainspring	55 Catch Screw
7 Rear Sight Leaf	32 Mainspring Support	56 Spring Washer
8 Rear Sight Spring	33 Sear	57 Catch Screw Washer
9 Rear Sight Leaf Pin	34 Sear Spring	58 Suspension
10 Steel Ball (2x)	35 Trigger	59 Suspension Screw
11 Receiver	36 Trigger and Trigger Mechanism Catch Spring (2x)	60 Sling Swivel Stud (2x)
12 Ejector	37 Trigger Pin	61 Sling Swivel (2x)
13 Ejector Screw	38 Trigger Mechanism Housing	62 Sling Swivel Screw (2x)
14 Catch	39 Trigger Mechanism Catch	63 Elastic Spacer (2x)
15 Connection Screw	40 Trigger Mechanism Catch Nut	64 Sling Swivel Assembly (2x)
16 Retaining Screw	41 Safety	
17 Bolt	42 Safety Catch	
18 Roller	43 Safety Spring	
19 Roller Pin	44 Magazine Catch	
20 Extractor	45 Magazine Catch Spring	
21 Firing Pin	46 Magazine Catch Pin	
22 Firing Pin Spring	47 Magazine Body	
23 Firing Pin Retaining Pin	48 Magazine Follower	
24 Recoil Spring	49 Magazine Spring	
25 Recoil Spring Guide		

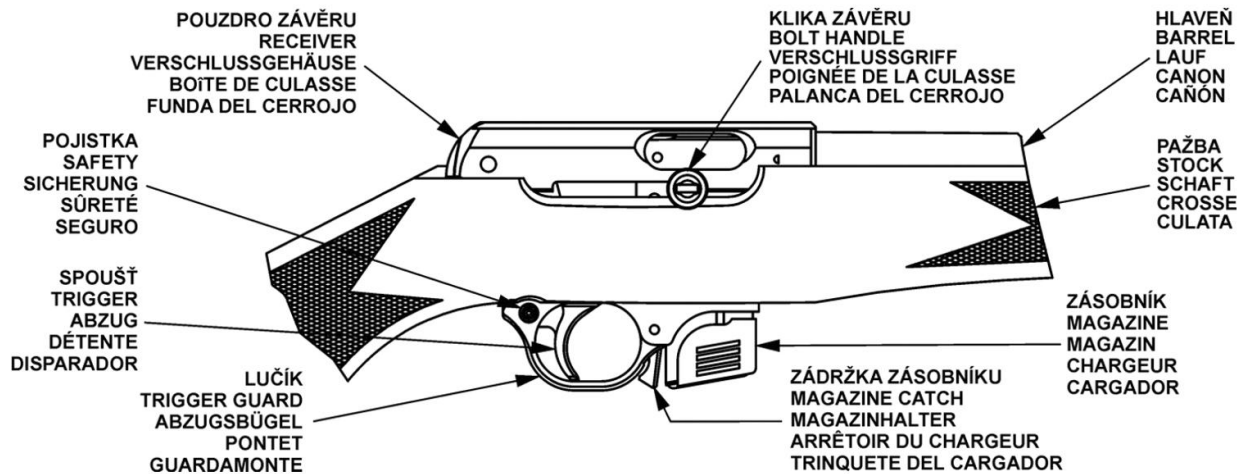
The Company, reserves the right to make any changes it thinks necessary to improve its models or to meet any requirements of manufacturing or commercial nature.

TECHNICAL SPECIFICATIONS

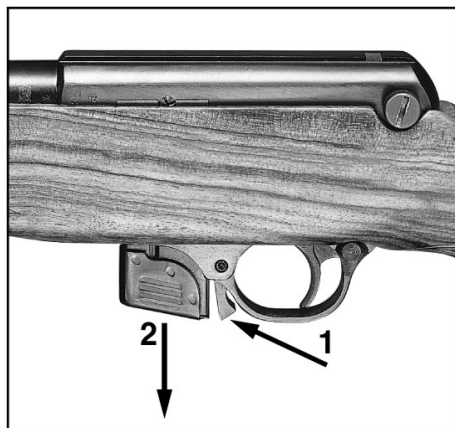
Caliber		.22 LR
Overall Length	[mm]	980
Barrel Length	[mm]	564
Sight Radius	[mm]	445
Weight with empty magazine	[kg]	2,45
Magazine Capacity	[cartridges]	8
Trigger Pull Weight	[N]	max. 29

LIST OF ILLUSTRATIONS

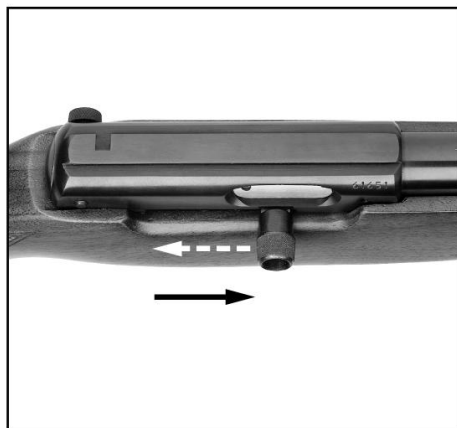
1. The names of basic parts
2. Magazine removal
3. Loading of the rifle
4. Shifting the safety to its "Safety-On" position
5. Flip-over rear sight
6. Close-up of front sight base with auxiliary lines and front sight proper
7. Loosening of connection screw
8. Taking the barreled action out of the stock
9. Sliding the trigger mechanism housing out in a rearward direction
10. Recoil spring disassembly



①



②



③



④



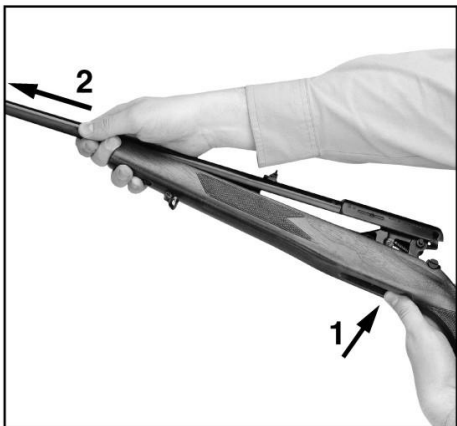
⑤



⑥



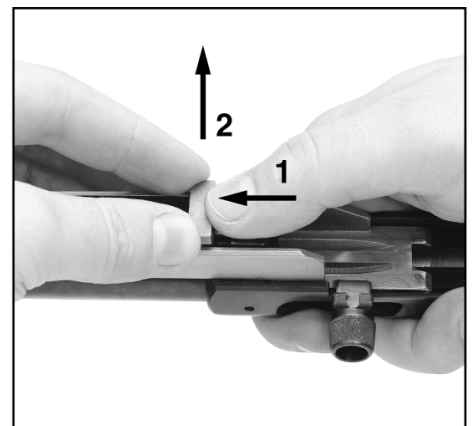
⑦



⑧



⑨



⑩