

INSTRUCTION MANUAL

CZ 110



ČESKÁ ZBROJOVKA

Before handling the pistol read this manual carefully and observe the following safety instructions.

Improper and careless handling of the pistol could result in unintentional discharge and could cause injury, death or damage to property. The same consequences can be caused by unauthorized modifications or adjustments, corrosion, or use of non-standard or damaged ammunition. In these cases the manufacturer shall not be responsible in any manner whatsoever for the resultant consequences.

Before leaving the factory this pistol was tested, carefully inspected, and packed. CZ cannot accept responsibility for product handling while in transit, or upon leaving the factory. Therefore, please examine this pistol carefully at the time of purchase to ensure that it is unloaded and undamaged.

This instruction manual should always accompany this pistol and that even in the case of the loan or sale of this pistol.

CONTENTS

SAFETY INSTRUCTIONS	16
PISTOL DESCRIPTION AND TERMINOLOGY	17
CZ 110 Safety Elements	18
OPERATING INSTRUCTIONS	19
Ammunition	19
Removal of the Magazine	19
Magazine Loading	19
Pistol Loading	19
Reloading During Shooting	20
Unloading the Pistol	20
Firing Pin Release	20
Loaded Chamber Indicator Function	20
Sight Adjustment	20
Training without Live Cartridges	20
MAINTENANCE INSTRUCTIONS	21
Stripping for Cleaning - Disassembly	21
Firing Pin Disassembly	21
Magazine Disassembly	21
Cleaning the Pistol	22
Cleaning the Barrel Bore and the Cartridge Chamber	22
Cleaning of Other Pistol Parts	22
Preserving	22
TROUBLESHOOTING, CAUSES AND REMEDIES	23
ILLUSTRATION AND LIST OF PARTS	24
TECHNICAL SPECIFICATIONS	26
LIST OF ILLUSTRATIONS	26

SAFETY INSTRUCTIONS

Always follow the safety instructions for your safety and the safety of others.

1. Always handle your pistol as if it were loaded.
2. Never point your pistol at anything you do not intend to shoot.
3. Never take anyone's word that a gun is unloaded.
4. Always make sure that your pistol is not loaded before laying it down, or handing it to another person.
5. Always keep and carry your pistol empty, except when you intend to shoot.
6. Never abuse your pistol by using it for any purpose other than shooting.
7. Never leave your loaded pistol unattended.
8. Before loading your pistol be sure that barrel bore, chamber, and action are clean and clear of obstructions. After shooting, clean a dirtied pistol as soon as possible.
9. Always use only clean, dry, original high quality commercially manufactured ammunition, which is appropriate to the caliber of your pistol.
10. Never drink alcoholic beverages or take drugs before or during shooting.
11. If possible wear both safety glasses and ear protection when shooting.
12. Always keep clear and keep others clear of the ejection port.
13. Never squeeze the trigger or put your finger in the trigger guard until you are aiming at a target and ready to shoot.
14. Always be absolutely sure of your target, and the area behind it, before you squeeze the trigger. A bullet could travel through or past your target up to several hundred meters.
15. Never shoot at a hard surface such as rock, or a liquid surface such as water.
16. Never fire your pistol near an animal unless it is trained to accept the noise.
17. Never indulge in "horseplay" while holding your pistol.
18. Failure to fire: always hold the pistol, keeping it pointed towards the target, or a safe open area and wait 30 seconds when the pistol fails to fire. If a hangfire (slow ignition) has occurred, the round will fire within 30 seconds. If the round does not fire, remove the magazine, eject the round and examine the primer; if the firing pin indent on the primer is light, or off center, or non-existent, have the pistol examined by a competent gunsmith.
19. Always make sure your pistol is not loaded before cleaning, storing or travelling.
20. Always keep and store your pistol and ammunition in separate locked receptacles out of reach and sight of children and untrained people.
21. Never alter any parts of your pistol as the safety and proper function of your pistol could be seriously compromised.
22. Always be aware that corrosion, use of damaged ammunition, dropping the pistol on hard surfaces or other "coarse treatment" could cause a damage you may not see. If something like this happens allow the pistol to be examined and tested by a competent gunsmith.

PISTOL DESCRIPTION AND TERMINOLOGY

The names of basic pistol parts used in this Instruction Manual are presented in Fig. 1. Nomenclatures of all CZ 110 parts are presented in the section *Illustration and List of Parts*.

The CZ 110 is a semi-automatic handgun incorporating short recoil. It is designed for self-defense and aimed shooting up to 50 m distances. The CZ 110 utilizes the locked breech principle, with the barrel tilting upwards into engagement with the ejection port. It is fitted with a trigger mechanism adapted to operate both in SA/DA modes of fire, a firing pin safety, and a loaded chamber indicator. The slide stays open when the last cartridge from the magazine has been fired. It has a double-column magazine, with a single cartridge outlet. Characteristic features of the CZ 110 are:

- simple handling
- ergonomical shape allowing shooting to be carried out by left or right hand
- comfortable grip and balance
- low trigger pull weight
- good results at instinctive shooting (without aiming)
- high accuracy of fire
- long service life
- high reliability, even with various types of bullets
- the slide stays open after the last cartridge has been fired
- illuminated sights for aiming under poor visibility conditions
- The wide trigger guard prevents snagging of the trigger by any objects, and also any unintentional discharge during handling or dropping of the pistol.
- The slide can be cocked even with only one hand by positioning the rear sight or slide protrusion against any fixed edged object and levering against that point.

Comments:

SA (Single Action)

The trigger mechanism operates in the single action mode - the trigger fulfils only one function, i.e. firing pin release. The firing pin is released from its cocked position, and the slide is either manually cocked (pull back at least 10 mm), or cocked mechanically by a previous discharge. Trigger travel is short, and pull weight is low. In the course of consecutive discharges, the firing pin automatically re-cocks and remains in this position.

DA (Double Action)

The trigger mechanism operates in the double action mode - the trigger fulfils two functions, i.e. the firing pin is both cocked and released. Pulling the trigger causes the firing pin to shift from its "at rest" position into the cocked position, followed by its subsequent release. Trigger travel is longer and trigger pull weight is higher than with the SA mode. Consecutive discharges automatically cock the firing pin, which remains in this position. Follow-up discharges are in SA mode.

The DA mode is used for rapid first shots, in cases where the pistol is carried with a cartridge in the chamber (see Section: Firing Pin Release). In the event of a cartridge misfire, the DA mode is equally advantageous, enabling quick repetition of the discharge procedures.

CZ 110 Safety Elements

The CZ 110 is designed in such a way, safe-guarding any unintended discharge, even under the most demanding of conditions and the most stressful of situations. This has been achieved chiefly by the combination of the following safety elements:

- firing pin safety
- release of the firing pin from its cocked to its "at rest" position
- loaded chamber indicator
- trigger guard
- increased trigger pull weight and a longer trigger travel with the DA mode of fire

Firing Pin Safety

The firing pin safety keeps the firing pin blocked until the trigger is pulled back, almost to its stop. This safety device minimizes the risk of accidental discharge through mishandling, such as when a loaded pistol is dropped.

Firing Pin Release - from the cocked position to the "at rest" position.

Serves to shift the firing pin, from the cocked position to the "at rest" position without the necessity of pulling the trigger. It is especially used in situations when the pistol is loaded with a cartridge in the chamber. In this state, the pistol is safe for all normal handling, and yet is ready for immediate use.

Loaded Chamber Indicator

The loaded chamber indicator is a device, which indicates the presence of a cartridge in the cartridge chamber. The indicator is located on the left side of the slide. The loaded chamber indicator status can be checked both by sight and by touch.

Trigger Guard

Prevents inadvertent pulling of the trigger while grabbing for, or dropping the pistol; or should the pistol snag against its holster, an item of clothing, or any other obstacle.

OPERATING INSTRUCTIONS

WARNING:

Before shooting always wipe the barrel bore dry, and lubricate the slide guiding rails with a suitable lubricating agent.

Ammunition

Use only factory-manufactured standard ammunition of appropriate caliber, which are in compliance with CIP regulations (International Proof Commission for Firearms) or SAAMI (Sporting Arms and Ammunition Manufacturers' Institute Inc. of the United States). The use of other cartridges could damage the handgun or cause malfunctions or injury to the shooter.

Removal of the Magazine

Hold the pistol in your right/left hand and depress the magazine catch with the thumb/middle finger and by the other hand remove the magazine.

Magazine Loading

With the open end uppermost, grasp the magazine in one hand. Place a cartridge on the magazine follower (Fig. 2). Press the cartridge down and back until it touches the rear flat edge of the magazine. Place the next cartridge on top of the previous cartridge and press down and back. We recommend that when some cartridges are already loaded in the magazine, depress them slightly with the thumb of the hand which holds the magazine.

The number of cartridges can be checked through the inspection holes in the sides of the magazine. Do not try to exceed the magazine capacity - doing so can cause a feeding failure.

Pistol Loading

CAUTION:

ALWAYS MAKE SURE THE PISTOL IS POINTED IN A SAFE DIRECTION WHEN LOADING!

Insert a loaded magazine and ensure that it has engaged the magazine catch.

Hold the pistol by the grip with one hand, and with the thumb and index finger grasp the serrated finger grips on both sides of the slide. Retract the slide to the stop and allow it to snap forward (Fig. 3). This procedure inserts a cartridge into the chamber and the pistol is now ready to fire. In the case of any emergency the pistol can be loaded even with only one hand, by the use of the barrel stop placed against any fixed edged object.

If you do not intend to fire immediately, and you want the pistol to be ready for instant use, release the firing pin in the manner described in the section *Firing Pin Release*.

Reloading During Shooting

When the last cartridge has been fired the slide will stay to the rear. Remove the emptied magazine and replace it with a loaded one. Thumb down the slide stop with the shooting hand (Fig. 4), or with the other hand draw back the slide and allow it to snap forward (Fig. 3). The pistol is again loaded and ready to fire.

Unloading the Pistol

ALWAYS MAKE SURE THE PISTOL IS POINTED IN A SAFE DIRECTION!

- remove the magazine
- draw back the slide and verify that the cartridge chamber is empty
- let the slide snap fully forward
- depress the trigger (dry fire)

Firing Pin Release

MAKE SURE THE PISTOL IS POINTED IN A SAFE DIRECTION. Press the firing pin release button up to its stop (markedly greater force will gradually be needed) and release it (Fig. 5). Pressing the firing pin release button shifts the firing pin from its cocked position onto the latch lug without the necessity of pulling the trigger. After freeing the firing pin button, the firing pin shifts into its "at rest" position. If there is a cartridge in the chamber, the pistol is safe for all normal handling, yet ready for use in the double-action (DA) mode after the firing pin has been released.

Loaded Chamber Indicator Function

The loaded chamber indicator protrudes from the side wall surface of the slide, thereby indicating the presence of a cartridge in the cartridge chamber. The loaded chamber indicator status can be checked both by sight and by touch.

Sight Adjustment

The pistol sights were sighted in at the manufacturing plant at a distance of 25 m so that the mean point of impact approximately conforms to the point of aim.

Windage correction can be carried out by the drifting of the rear sight in the dovetail. Elevation correction is carried out by exchanging the rear sights for higher or lower sizes.

CAUTION:

In consideration of the fact that the firing pin block is located under the rear sight, **do not drift out the rear sight completely from its dovetail**. Entrust eventual rear sight exchange to a competent gunsmith.

Training without Live Cartridges

The enclosed plastic dummy cartridges are designed - as are their replaceable inserts, for training shooting without cartridges ("dry shooting").

MAINTENANCE INSTRUCTIONS

Stripping for Cleaning - Disassembly

ALWAYS MAKE SURE THE PISTOL IS POINTED IN A SAFE DIRECTION!

1. For the safety reasons remove the magazine first.
2. MAKE SURE THAT THERE IS NO CARTRIDGE IN THE CHAMBER!
3. Put your left thumb through the trigger guard and with the other fingers grasp the top of the front part of the slide firmly (Fig. 6). Push the slide slightly back until the position of the recess in the slide enables the removal of the connecting pin from the pistol frame. Press down the connecting pin from the right hand side of the firearm as deeply as possible (the magazine base corner can be used to facilitate this operation) (Fig. 7). Pull out the connecting pin from the left-hand side of the pistol frame. After removing the connecting pin, ease the slide back to its initial position driven by the force of the recoil spring.
4. Grasp with one hand the pistol grip (as when shooting - see Fig. 8) and with other hand retract the slide back approx. 5-10 mm to get the trigger mechanism out of engagement. Pull the trigger and slip the slide barrel assembly forward off the frame.
5. Ease the trigger pull.
6. Remove the recoil spring and guide and finally the barrel.

No further disassembly is needed for routine maintenance. When a great number of cartridges has been fired, it is advisable to also clean the firing pin and magazine.

Firing Pin Disassembly

Using a suitable tool push in the rear end of the firing pin main spring guide (below the level of firing pin retainer), and shift the firing pin retainer approx. 2 mm down (Fig. 9). Then cover the firing pin retainer with your thumb (in order not to lose the spring-loaded guide with its spring), and with the other hand pull the firing pin retainer completely off the slide. Be very careful at this stage of the disassembly procedure, as the spring with its guide are spring loaded and could fly out, thus getting lost, or even causing injury. By means of a suitable tool depress the firing pin block, and withdraw the firing pin with the firing pin insert, main spring, and firing pin guide from the slide.

Magazine Disassembly

The magazine base is removed by pushing on the base lock, which sticks out through a hole in the base. Slide the base about 5 mm towards the front of the magazine. Cover the base with a thumb to prevent the loss of the magazine spring. At the same time, disengage the base from its guiding projections with the other hand. Be careful at the disassembly as the spring could fly out even cause an injury.

WARNING:

No further disassembly of your pistol is recommended. Should your pistol require adjustment or repair, be sure the task is entrusted to a competent gunsmith!

Cleaning the Pistol

Clean the pistol

- each time you use it
- if you get your pistol wet
- as soon as possible after shooting
- at least once a year in a temperate climate
- as often as once a month in a tropical climate, or other demanding environment

Cleaning the Barrel Bore and the Cartridge Chamber

If the pistol has not been fired or if only a few cartridges have been fired, clean the barrel bore and cartridge chamber by the clean patch attached to the cleaning rod.

When the barrel bore is very dirty, apply a gun cleaning solution using a cleaning brush. Let the solvent act for about 10 minutes (this time may vary depending on the solvent agent being used). Then thoroughly scrub out the barrel bore. Subsequently, dry the barrel bore and cartridge chamber with a clean patch and check that all powder residues or fouling have been removed. If necessary repeat this procedure.

The cleaning rod and the brush must be inserted into the barrel bore from the chamber, to prevent wear or damage to the muzzle. Pass the brush all the way through the barrel bore before reversing the movement. If you try to change directions with the brush in the barrel, the brush could stick.

Cleaning of Other Pistol Parts

Other parts of the pistol (including the external surfaces of the barrel) should be cleaned with a dry cloth, old toothbrush, brass bristle brush or a wooden scraper. Preserving oil or paraffin oil can be used for proper cleaning. Never use the agent designed for barrel bore cleaning! These solutions could remain in the joints, and after some time could cause corrosion.

Check that cloth particles or brush bristles have not become lodged in any part of the pistol.

Preserving

When the barrel bore, cartridge chamber, and all accessible metal parts are clean and dry, wipe these parts with a cloth soaked in gun oil or apply the oil in a spray. Remove all excess oil. The plastic parts do not need any preserver application.

Before shooting always wipe the barrel bore dry. At very low temperatures remove the oil from all accessible parts or apply a lubricant prepared especially for these conditions.

Use thick preserving agents for example, preserving grease only for a long-term storage in demanding climate environments, and before any use of the pistol it must be thoroughly removed from all parts of the firearm.

TROUBLESHOOTING, CAUSES AND REMEDIES

If your pistol is properly used and maintained, malfunctions will rarely occur. However, if such a situation does occur, please observe the following instructions.

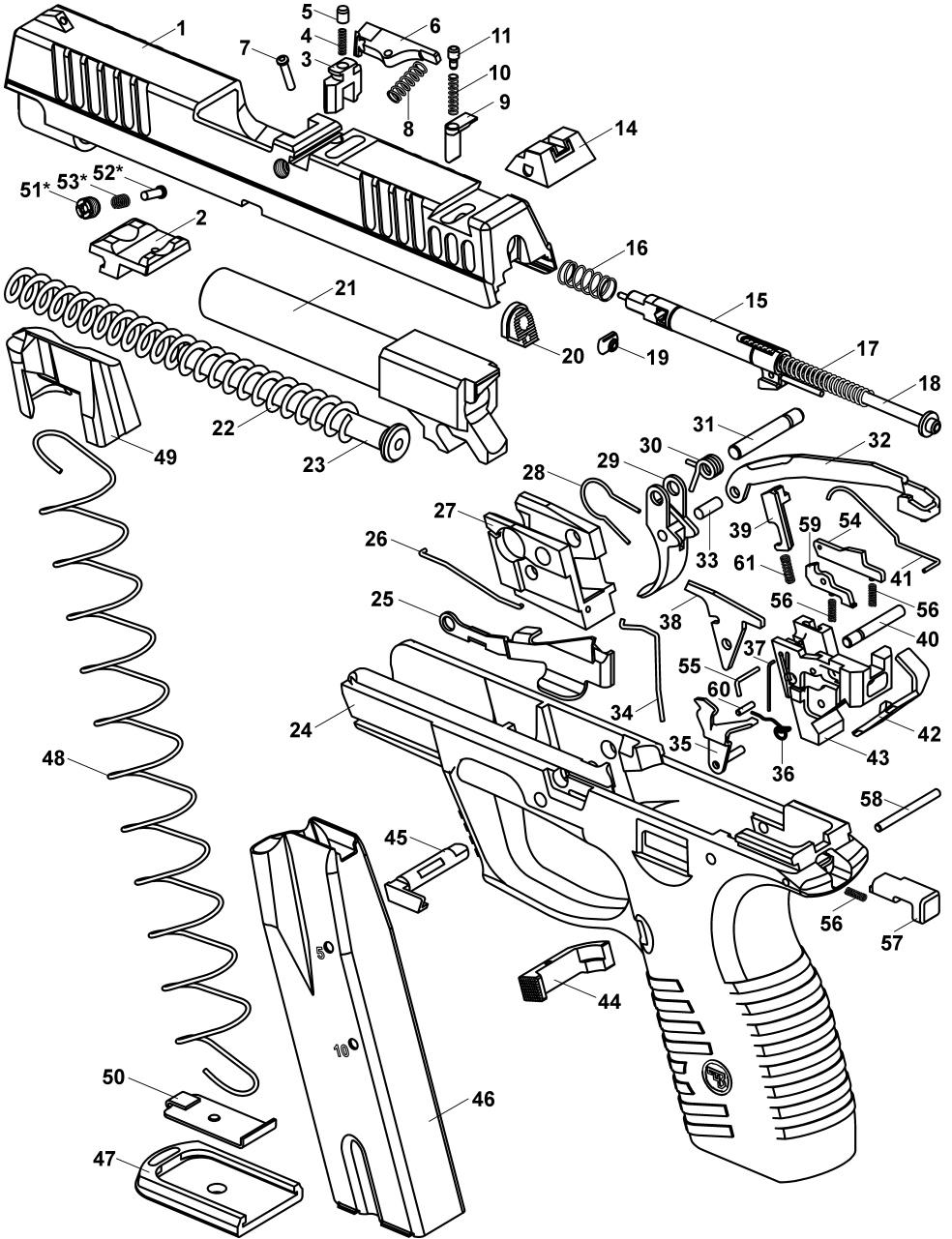
CAUTION - If a malfunction occurs, the possibility of unintentional discharge is substantially increased. For this reason, carefully observe the *Safety Instructions* already mentioned above. Keep the pistol pointed in a safe direction, do not turn the pistol against your body or anyone else's! Do not place your hands in front of the barrel!

If you use your pistol for self-defense, or in law enforcement, please acquire so-called "dummy cartridges" and practice fast clearing of malfunctions as described below.

Malfunction	Possible Cause	Remedy
A round has not been fed into the chamber or the slide has not fully locked with the barrel.	Magazine is not fully inserted or is damaged. The pistol or cartridges are fouled (dirty) or too heavily greased.	Insert magazine properly or change magazine. Clean the pistol and cartridges and wipe them dry or as case may be slightly lubricate.
Misfire	Defective cartridge Firing pin hole fouled (dirty) or improper lubrication agent used under low temperature conditions.	Pull the trigger again. If a discharge is not initiated, follow the Safety Instructions according to point 18. Disassemble and clean the firing pin or use a low temperature lubricant.
A shot sounds "weak" combined with failure to eject the cartridge case.	The primer has been activated but no powder load was inside the cartridge case.	Unload the pistol and check that the bullet is not lodged in the barrel. A subsequent shot could cause damage to the barrel.
The spent case has not been ejected.	Cartridge chamber, extractor or ammunition dirty, or unsuitable lubricant in low temperature environment.	Clean and wipe the pistol dry or lubricate lightly with a suitable agent. Use new and clean ammunition.

If you cannot clear away any malfunction in the manner described above, entrust the pistol to a competent gunsmith for inspection and repair.

ILLUSTRATION AND LIST OF PARTS



1 Slide	32 Trigger Bar
2 Barrel Stop	33 Trigger Bar Pin
3 Firing Pin Stop	34 Magazine Catch Spring
4 Detent Spring	35 Cam
5 Barrel Stop Detent	36 Cam Spring
6 Extractor	37 Ejector Pin Spring
7 Extractor Pin	38 Ejector
8 Extractor Spring	39 Interrupter
9 Firing Pin Block	40 Ejector Pin
10 Firing Pin Block Spring	41 Trigger Bar Spring
11 Firing Pin Block Detent	42 Trigger Bar Disconnecter
12 -	43 Trigger Mechanism Housing
13 -	44 Magazine Catch
14 Rear Sight	45 Connecting Pin
15 Firing Pin	46 Magazine Body
16 Firing Pin Spring	47 Magazine Base
17 Main Spring	48 Magazine Spring
18 Main Spring Guide	49 Follower
19 Firing Pin Insert	50 Magazine Base Lock
20 Firing Pin Retainer	51 Loaded Chamber Indicator Nut *
21 Barrel	52 Loaded Chamber Indicator *
22 Recoil Spring	53 Loaded Chamber Indicator Spring *
23 Recoil Spring Guide Rod	54 Firing Pin Catch
24 Frame	55 Slide Stop Pin
25 Slide Stop	56 Slide Stop Spring
26 Slide Stop Spring	57 Push-Button
27 Insert	58 Push-Button Pin
28 Insert Clip	59 Latch
29 Trigger	60 Latch Pin
30 Trigger Spring	61 Interrupter Spring
31 Trigger Pin	

Comments:

* Available on request

The numbers marked with dash (-) are stated here for the purpose of conformity with the lists of other model parts only.

TECHNICAL SPECIFICATIONS

Caliber		9 mm Luger 9 x 21
Overall length	[mm]	180
Height	[mm]	130
Width	[mm]	31
Weight with empty magazine	[g]	665
Barrel length	[mm]	98
Sight radius	[mm]	148
Magazine capacity	[cartridges]	13 *
Trigger pull	SA [N] DA [N]	16 - 24,5 max. 50

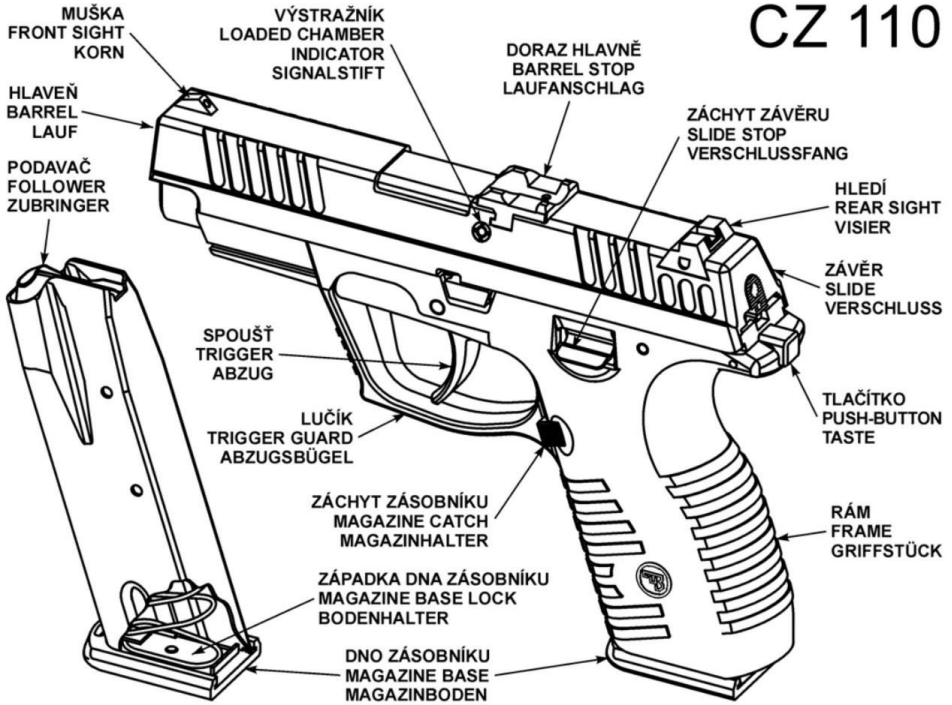
* To some countries, the CZ 110 pistols are supplied with a reduced magazine capacity in compliance with local laws.

LIST OF ILLUSTRATIONS

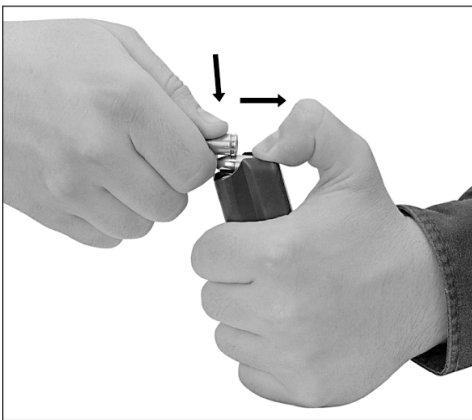
1. The names of basic parts
2. Magazine loading
3. Pistol loading
4. Slide release from its rear position by depressing the slide stop
5. Firing pin release
6. Holding of the pistol during connecting pin removal
7. Depression of connecting pin, using a magazine base
8. Slide removal procedure
9. Firing pin disassembly

The Company, reserves the right to make any changes it thinks necessary to improve its models or to meet any requirements of manufacturing or commercial nature.

CZ 110



①



②



③



④



⑤



⑥



⑦



⑧



⑨