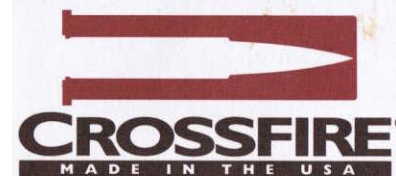


OWNER'S MANUAL

CROSSFIRE MK-1



2169 Greenville Road • LaGrange, GA USA 30241
706-882-8070 • Toll Free 1-877-519-3473 • FAX 706-882-9050
e-mail: smdarragh@crossfirelc.com • web: <http://www.crossfirelcc.com>





Copyright 1999 Crossfire, LLC

CROSSFIRE MK-1 OWNER'S MANUAL

Pump-Action Combination Gun

WARNING: This product is classified as a lethal weapon. Failure to read and properly execute the instructions and warnings in this manual could result in serious injury, death or damage to property. Do not attempt to practice loading or unloading with live ammunition without a thorough understanding of the safe operation of this weapon. Always treat a firearm as if it were fully loaded. Always store and carry this product empty, with bolt forward on an empty chamber. Failure to do so could result in an unintentional discharge. Keep out of reach of children. When you squeeze the trigger, you must expect the weapon to fire and take full responsibility for your actions. Read through the entire manual before attempting to use this product.

ATTENTION: Before handling your Crossfire MK-1, read this manual in its entirety. You should also review this manual periodically to ensure that your Crossfire MK-1 is being handled and maintained properly. **Note the Crossfire MK-1 is shipped without lubrication. It must be lubricated before any attempt is made to cycle the mechanism. See the maintenance and lubrication section of this manual for further details.**

INTRODUCTION

Never in the history of firearms has there been a weapon quite like the Crossfire MK-1. It is a unique combination of a 12-gauge pump-action shotgun and a pump-action .223 rifle all rolled into one handy and compact arm. The same pump-action mechanism works both the shotgun and rifle mechanisms separately via the use of a selector. Similarly the same trigger fires either the shotgun or rifle barrel via the same selector. Thus, the Crossfire MK-1 follows in the footsteps of the multi-barreled rifle and shotgun combination guns of the past, but with repeating mechanisms for both barrels. Such a versatile weapon has a tremendous number of applications in both the hunting and law-enforcement markets. However, its very uniqueness demands that the user be thoroughly knowledgeable in its operation and maintenance before any attempt is made to operate or shoot this weapon.

STATEMENT OF NONLIABILITY

The Crossfire MK-1 combination gun is a potentially dangerous weapon. It is distributed by Crossfire, LLC with the understanding that the purchaser assumes all liability resulting from unsafe gun-handling practices as well as any illegal use of this weapon. Crossfire, LLC shall not be liable for personal injury or loss of property or life resulting from the use of this firearm under any circumstances, including intentional, negligent, reckless or accidental discharge.

In addition, Crossfire, LLC will not be liable for any damages resulting from alterations made to this firearm or any parts thereof. Crossfire, LLC does not condone or authorize any modifications to the gun after it has left our factory.

AMMUNITION SELECTION

Crossfire MK-1 combination guns are designed to use ammunition made to the specifications of NATO, in the case of the .223 (5.56mm), and the Sporting Arms and Ammunition Manufacturer's Institute (SAAMI) in the case of 12-gauge shotgun. Use only high-quality, well-stored, commercially manufactured ammunition made by a reputable well-established company in your Crossfire MK-1 combination gun. The use of reloaded or remanufactured ammunition will void the warranty on your Crossfire MK-1.

It is important to make sure that the ammunition used is the proper type for the combination gun. Each combination gun has the proper ammunition designated on the side of the respective barrel. Make a particular effort to avoid mixing ammunition of different chamberings as EXTREMELY DANGEROUS situations can occur. One example would be if a 20-gauge round of ammunition were loaded into the Crossfire MK-1's shotgun barrel. If the firing pin does fire the round, a dangerous case split could occur. If the 20-gauge round does not fire and enters the combination gun's barrel, there is the danger that the shooter may mistake the failure to fire as a result of a failure to feed and chamber a 12-gauge round behind the 20-gauge round already in the barrel. The result of firing such a combination is a catastrophic explosion of truly dangerous proportions. Always be sure you are using the correct ammunition in your Crossfire MK-1 combination gun!

If you encounter a round that sounds different, cycles abnormally or does not fire at all, stop shooting immediately. Completely unload both of the combination gun's magazines and barrels before you check the bores to make sure there is no bullet or other obstruction in either barrel before continuing to shoot.

BASIC FIREARM SAFETY

Like all other firearms, the Crossfire MK-1 is a potentially deadly weapon. It was originally designed to meet the requirements of hunters as well as military and law-enforcement personnel. As a firearm owner and user, you must take responsibility for the safe handling, use and storage of your Crossfire MK-1.

Safe firearm handling is a matter of using good judgment and always respecting the potential damage that can result from the discharge of the firearm, either unintentionally or deliberately. There are literally dozens of safety rules that can apply to safe handling, storage, carrying and use of any firearm. Many of these rules appear throughout this manual. However, there are four fundamental safety rules that, if followed consistently, will prevent accidents from happening when you are handling your Crossfire MK-1 combination gun or any other firearm.

FUNDAMENTAL FIREARM SAFETY RULES

1. TREAT ALL FIREARMS AS IF THEY WERE LOADED.

Never take anyone's word that a gun is unloaded. Always make a visual and physical check of the load status of the firearm each and every time it comes under your control. Remember that repeating arms like the Crossfire MK-1 may have a round in a chamber as well as in its magazines. Even though one or both of the magazines are removed, a round may be left in one or both of the combination gun's chambers. These will fire if the trigger is pulled and the selector is switched to the loaded barrel. Thus, after both magazines are removed from the Crossfire MK-1, both the rifle barrel chamber and the shotgun barrel chamber must be inspected in turn to ensure that they are clear of any ammunition. Basically the Crossfire MK-1 must be inspected for its load status as if it were two separate guns. Once the combination gun is inspected to ensure that it is not loaded in either magazine or either barrel, it must still always be handled as if it were loaded, with special regard to these rules.

2. ALWAYS KEEP THE FIREARM POINTED IN A SAFE DIRECTION.

Never point a gun, whether loaded or not, at another person, at yourself or at anything you are not willing to destroy. It is also important to consider that a bullet can easily penetrate walls, ceilings, floors and windows and can ricochet from many solid objects as well as from water.

3. ALWAYS KEEP YOUR FINGER OUTSIDE THE FIREARM'S TRIGGER GUARD UNTIL THE INSTANT BEFORE YOU SHOOT.

By following this rule without exception, you avoid those instances where tripping, being startled, being jostled, etc. might cause a reflexive movement of the trigger finger that could fire the gun unintentionally with potentially tragic results.

4. ALWAYS BE SURE OF YOUR TARGET AND YOUR BACKSTOP.

Never fire your Crossfire MK-1 combination gun at anything unless you know without a doubt what it is and where the bullet will impact if it goes through the target or misses the target. Remember that a bullet fired in an upward direction can travel as far as several miles and still inflict a lethal injury when it eventually impacts.

HOW THE CROSSFIRE MK-1 OPERATES

The Crossfire MK-1 is a pump-action operated combination gun. That is, the operation of its pump (slide action) mechanism connected to the gun's forearm will cycle the combination gun's mechanism to eject a fired cartridge case (if one is present) and move a fresh round from one of the combination gun's magazines into its respective chamber to allow for the next shot to be fired. Only one round is fired with each pull of the trigger and only one round is chambered and ejected with each cycle of the pump-action mechanism. The setting of the firing selector will determine if the shotgun or rifle part of the gun is being manipulated at the time.

To change from rifle to shotgun mode or the reverse, the fire selector can only be moved to the fire position for the other barrel if both bolts are fully forward and cocked.



The firing selector also works as a safety in its middle position. It can be placed in the safety position only if both bolts are forward and locked. When in this position, neither barrel will fire if the trigger is pulled. Moving the selector upward will allow the firing and operation of the shotgun mechanism, while moving it downward will allow the firing and operation of the rifle mechanism.

If you release the action while the gun is in the safe mode, the gun will lock. To unlock, you must forcibly move the selector switch to either rifle or shotgun mode.

At the moment of firing, the barrels and bolts of the combination gun are locked together. The position of the firing selector dictates which barrel will fire when the trigger is pulled. Once a barrel has been fired, a rearward pull on the forearm will eject the fired case from the selected barrel. Pushing the forearm

forward all the way will cock the firing mechanism, pick up the next round in the respective magazine and chamber it ready to fire. This action may be repeated with each pull of the trigger until the respective magazine is empty. It is important that the cycling of the pump-action mechanism be done in just two distinct moves. First, the forearm is pulled smartly to the rear the full length of its travel in one movement and then returned smartly all the way forward in one movement. Hesitation in these movements or making partial movements can cause double-round feeding jams or other malfunctions.

If the shooter loses track of how many rounds have been fired and cycles the mechanism when the magazine is empty, when the trigger is pulled on an empty chamber, nothing will occur but a click as the striker goes forward. If this should occur, simply replace the empty magazine with a loaded one and then, using the action release levers first, cycle the pump-action and continue. If instead you desire to switch to the opposite barrel, it is necessary to activate the action release levers and pump the mechanism one more time, leaving the bolt forward and cocked, and then move to the fire selector and select the other barrel.



The action release levers are located just in front of the forearm, one on each side. To release the action, both have to be pushed forward. This should only be done when the firing selector is in the rifle or shotgun mode. If the action release is activated when the fire selector is in the safety position, it will lock the gun. To restore the gun to action, the fire selector must be forced into either the rifle or shotgun position.

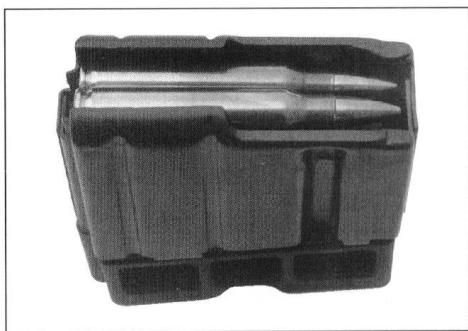
The trigger mechanism of the Crossfire MK-1 combination gun line is unique among repeating long guns. The one trigger fires either the rifle or the shotgun barrel depending on the position of the fire selector.

LOADING THE CROSSFIRE MK-1 COMBINATION GUN

LOADING THE RIFLE BARREL. Starting with an unloaded Crossfire MK-1 combination gun with the fire selector in the rifle (bottom) position, press the

magazine catch on the left rear side of the combination gun's rifle magazine well, and pull the magazine from the gun. Notice the orientation of the magazine.

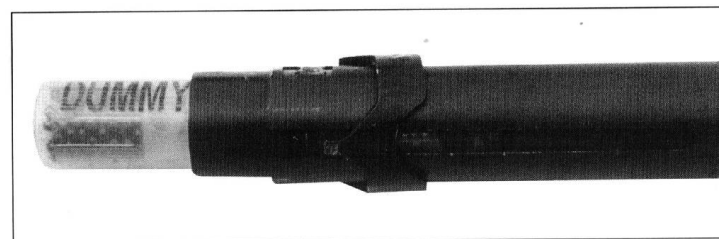
LOADING THE RIFLE MAGAZINE. The rifle magazine is of the double-column feed type that is loaded by pushing rounds down into the magazine against the follower ensuring that the cartridge is under one of the feed lips with the primer to the rear. Then another cartridge is pushed down ensuring that it is under the opposite feed lip. This is repeated until the rifle magazine is full. Do not overfill the magazine. Doing so can damage the magazine and/or cause malfunctions. The standard Crossfire MK-1 rifle magazine has a 5-round capacity. Magazines intended for the Colt AR-15 and U. S. M16 will work in the Crossfire MK-1.



Insert the loaded magazine into the combination gun's rifle magazine well until the magazine catch clicks. This can be done with the rifle bolt back or forward. Holding the pistol grip of the combination gun in your shooting hand, grasp the forearm with your off hand. If the rifle bolt is fully to the rear, just push the forearm all the way forward, chambering a round ready to fire. If the rifle bolt is forward, activate the action release levers and simply pull the forearm all the way to the rear and then push it all the way forward, chambering a round.

This is best accomplished by using the shooting hand to hold the gun at the pistol grip and using the opposite hand to activate the action release levers and then, with the same hand, pumping the forearm fully to the rear and then fully forward. This will chamber a round and lock the bolt forward.

LOADING THE SHOTGUN BARREL. The Crossfire MK-1 shotgun has a unique detachable tubular feed magazine that holds 4 rounds. This magazine runs along the top of the butt stock. Starting with the Crossfire MK-1 with the fire selector in the shotgun (up) position, press the magazine release tab on the rear end of the tubular shotgun magazine and lift the magazine up and to the rear.



LOADING THE SHOTGUN MAGAZINE. Simply press the shotgun rounds into the tubular magazine, base first, one at a time until the magazine is full. Do not try to overload the magazine as it could cause damage. Note the standard Crossfire MK-1 shotgun magazine holds 4 rounds of 2+3/4 or 3-inch 12-gauge ammunition. Please also note that the forward round in the magazine will protrude from the magazine.

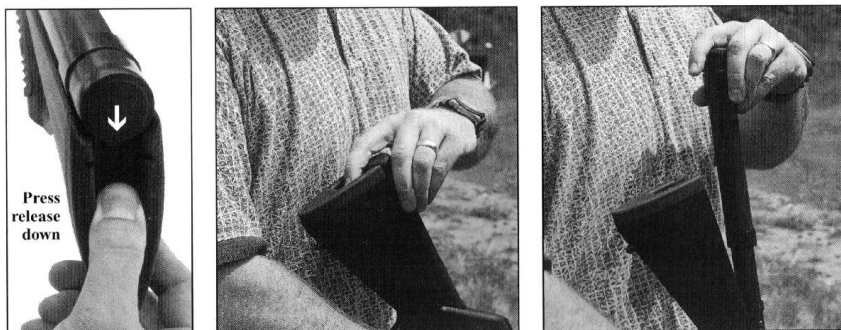


Insert the front end of the loaded shotgun magazine into its well and seat the rear end so that it locks into place. As with the rifle barrel, this can be done with the shotgun bolt back or forward. Holding the pistol grip of the combination gun in your shooting hand, grasp the forearm with your off hand. If the shotgun bolt is fully to the rear, just push the forearm all the way forward. Once the shotgun bolt is forward, activate the action release levers and simply pull the forearm all the way to the rear and then push it all the way forward, chambering a round.

With either the shotgun barrel or the rifle barrel, once a round is chambered from a magazine, the fire selector may be put on the safety position and the magazine removed, topped up and replaced into the gun. In this way the Crossfire MK-1 can be loaded to its maximum capacity.

UNLOADING THE CROSSFIRE MK-1 COMBINATION GUN

It is essential that you conduct the unloading sequence in the specific order presented. To do otherwise creates the risk of the gun still being partially loaded and dangerous. At all times during the unloading procedure, keep the muzzle of the combination gun pointed in a safe direction with your fingers outside the trigger guard and off the trigger.



STEP 1. Remove the shotgun magazine, unload it and set it aside.

STEP 2. Remove the rifle magazine, unload it and set it aside.

STEP 3. Set the fire selector on the shotgun mode (all the way up).

STEP 4. Holding the Crossfire MK-1's pistol grip in your master hand, push the action release levers forward with the thumb and index finger of your off hand, and with the same hand pull the forearm smartly to the rear and let the round in the shotgun chamber eject freely from the combination gun. Do not try to catch the ejected round and always keep your hand away from the ejection port. (It is a good idea to eject the round on to a soft surface like a carpet.)

STEP 5. Visually inspect the combination gun's shotgun chamber and magazine well to make sure there are no cartridges present, then insert a finger into the shotgun chamber to be doubly sure.

STEP 6. The shotgun portion of the Crossfire MK-1 can now be considered unloaded. The forearm must be returned to the forward position leaving the shotgun bolt cocked.

STEP 7. Move the fire selector to the rifle position (fully down).

STEP 8. Holding the Crossfire MK-1's receiver in your master hand, push the action release levers forward with the thumb and index finger of your off hand and with the same hand pull the forearm smartly to the rear and let the round in the rifle chamber eject freely from the combination gun. As with the rifle, do not

try to catch the ejected round and always keep your hand away from the ejection port. (It is a good idea to eject the round on to a soft surface like a carpet.)

STEP 9. Visually inspect the combination gun's rifle chamber and magazine well to make sure there are no cartridges present, then insert a finger into the rifle chamber to be doubly sure.

STEP 10. The rifle portion of the Crossfire MK-1 can now be considered unloaded. The forearm must be returned to the forward position leaving the rifle bolt cocked.

STEP 11. If the Crossfire MK-1 is to be put into storage, the fire selector should be put into the safety position. Note that leaving the strikers of the rifle and shotgun bolts in the cocked position for extended periods of time will cause no damage to or weakening of the springs involved. The empty magazines may be returned to the weapon or may be stored separately.

CONDUCTING A STATUS CHECK WITH A CROSSFIRE MK-1 COMBINATION GUN

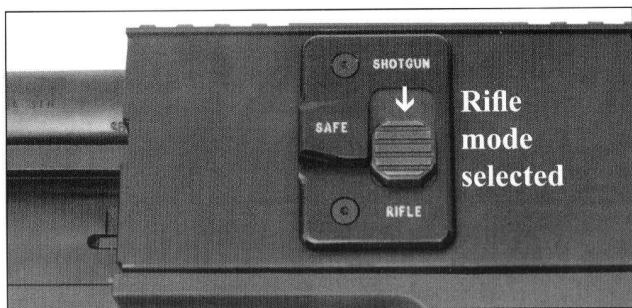
Every time any firearm comes under your control, it is essential to check the firearm's load status. You must know whether or not it is loaded. This requires both a visual and a physical inspection of the firearm. You should conduct a status check immediately after your Crossfire MK-1 combination gun is removed from its box and each and every time it is handled when you are not actually shooting. The method you use to conduct a status check will depend on whether your intention is to leave the combination gun in a loaded or unloaded condition. It is important to remember that the Crossfire MK-1 must be treated as two separate guns when conducting a status check.

If you believe the combination gun is loaded and it is to remain loaded:

Start with the Crossfire MK-1 with the fire selector on the safety position. Note that, for the fire selector to go into the safety position, both barrels are cocked.



STEP 1. Set the fire selector in the shotgun position (all the way up). Holding the combination gun's pistol grip in your dominant hand, press the action release levers forward with the thumb and index finger of your off hand. With the same hand pull the slide slightly to the rear and visually check the chamber for the presence of a cartridge. If one is present, push the forearm forward making sure it goes all the way forward. If a round is not present in the chamber, cycle the forearm all the way to the rear and all the way forward observing if a round is chambered. If no round is present, then proceed as for loading.



STEP 2. Set the fire selector in the rifle position (all the way down). Holding the combination gun's pistol grip in your dominant hand, press the action release levers forward with the thumb and index finger of your off hand. With the same hand pull the slide slightly to the rear and visually check the chamber for the presence of a cartridge. If one is present, push the forearm forward making sure it goes all the way forward. If a round is not present in the chamber, cycle the forearm all the way to the rear and all the way forward observing if a round is chambered. If no round is present, then proceed as for loading.

STEP 3. Put the fire selector in the safety position.

STEP 4. Depress the shotgun magazine tube catch and remove the magazine tube from the gun. Examine it to determine if it is loaded and to what degree, top off if necessary and reinsert it into the gun.

STEP 5. Depress the rifle magazine catch and remove the magazine from the gun. Examine it to determine if it is loaded and to what degree, top off if necessary and reinsert it into the gun.

Note: If your Crossfire MK-1 does not have the fire selector in the safety position when you begin a status check, attempt to cycle the action without using the action release levers first. Whether it cycles or not, proceed with STEP 1 from this section.

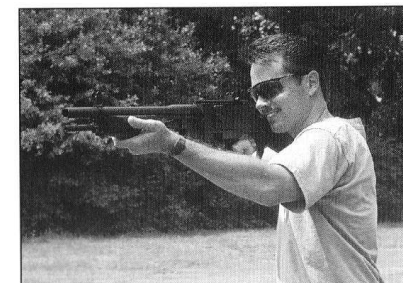
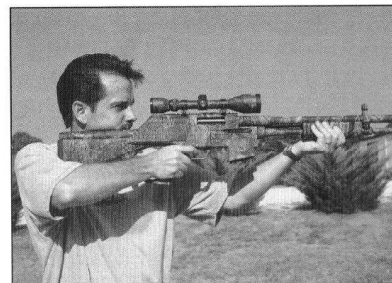
If the combination gun's load status is unknown and it is to be left unloaded:

Follow exactly the directions for unloading.

CARRYING THE CROSSFIRE MK-1 COMBINATION GUN

The Crossfire MK-1 is a moderately heavy weapon. The easiest way to carry it is by using a sling. A simple nylon sling is supplied with each Crossfire MK-1.

SHOOTING THE CROSSFIRE MK-1 COMBINATION GUN



SHOOTING POSITION. To shoot the Crossfire MK-1 or any other shoulder arm properly, it is vital that you have a firm grip on the gun. The web of the shooting hand should be as high as possible on the pistol grip with no gap between the upper part of the hand and the overhang of the gun's frame. The sights should line up approximately on the horizontal plane. The trigger finger should rest alongside the gun's frame above the trigger area at all times except when actually shooting. The opposite hand should firmly grip the forearm. When actually shooting, the butt of the weapon should be pulled firmly into the shooter's shoulder or, if the weapon is being fired from the hip or a low ready position, the butt should be clamped firmly to the shooter's side.

SIGHT PICTURE. The proper sight picture centers the top of the front sight in the center of the rear peep sight peephole. The point of impact for the bullet for well-zeroed sights is tangent to the top center of the front sight. Note that the Crossfire MK-1 combat and night sights are adjustable so that an accurate zero can be attained for a wide variety of ammunition.

The sight mounting rail in the top of the Crossfire MK-1 receiver allows the easy mounting of a wide variety of optical sights of the reflex, red dot, night vision and telescopic types using Weaver-type rings. Such sights are zeroed in the normal manner for a conventional rifle.

OPERATING THE ACTION. Upon firing, the forearm can be pulled directly to the rear to eject the empty case from the gun, then pushed directly to the front to chamber another round. It is imperative that this be done in two distinct complete movements to avoid double-feed jams and other malfunctions. If it is necessary to eject a live round, the action release levers must be pressed forward before the forearm is pulled to the rear.

TRIGGER CONTROL. Proper trigger control is necessary to achieve good accuracy with any firearm. The idea is to press the trigger in such a way that it does not cause any movement of the gun and does not disturb your sight picture. This is achieved by pulling the trigger directly to the rear without side pressure and by using no more force than is necessary. If your finger length allows it, use the front pad of your trigger finger as the contact point for your finger.

Once the trigger has been pulled, it must be released and the action cycled before another shot may be fired. One of the best means for practicing trigger control is to dry-fire your Crossfire MK-1. That is, practice the trigger pull with an unloaded combination gun. Cycling and dry-firing the Crossfire MK-1 will not damage it.

CLEARING A JAM. If a shooter incurs a jam with this weapon with either the rifle or shotgun, this jam must be cleared and the bolt left forward and cocked before the shooter can switch the fire selector to the other barrel. Jams are generally best cleared by first removing the respective magazine to gain access or to allow a way for the offending round to be removed, which can usually be accomplished simply by allowing gravity to let it fall free. If in combat, it is best to replace the magazine with a different loaded magazine if possible, in case the magazine was the source of the malfunction.

MAINTENANCE OF THE CROSSFIRE MK-1 COMBINATION GUN

Like any other mechanical device, the Crossfire MK-1 combination gun will work at its best if it is properly maintained. Such maintenance will help ensure reliable functioning and a long service life. Crossfire MK-1 combination guns have been designed to function reliably under highly adverse field conditions. However, this is not a reason to abuse them through neglect. Your Crossfire MK-1 combination gun should be properly cleaned and lubricated to ensure smooth functioning by removing the fouling from firing and other accumulated dirt and debris. The application of a good lubricant to the appropriate areas of the weapon is important. The appropriate areas include any surfaces that rub against each other. Any lubricant sold commercially as suitable for use on firearms will be adequate. We specifically do not recommend the use of WD40, 3 in 1 Oil or any other oil that is not specifically designed for use as a firearm lubricant.

FREQUENCY OF SERVICING

Your Crossfire MK-1 combination gun should be cleaned and lubricated as follows:

1. When brand new, before the first time it is cycled or fired, plus
2. At least once per month, plus
3. After each time it is fired, plus
4. As required due to exposure to rain, snow, perspiration, salt water, dirt, dust, lint, etc. or any time the combination gun has been dropped or a malfunction experienced.

It is not necessary to field strip the Crossfire MK-1 to routinely clean and lubricate it. **BEFORE ANY ATTEMPT IS MADE TO CLEAN OR LUBRICATE THE CROSSFIRE MK-1, MAKE SURE IT IS NOT LOADED IN EITHER BARREL OR MAGAZINE. SEE THE SECTION OF THIS MANUAL ON UNLOADING.**

Cleaning without field stripping by cycling each bolt to the rear in turn and inserting the cleaning rod from the muzzle is adequate for routine maintenance. However, care must be used so that fouling, dirt, oil and solvents do not build up in the action of the combination gun and cause malfunctions. The best way to do this is to use a flexible cleaning rod inserted from the muzzle with the patches or bore brush put on the rod at the breech end of the barrel. These are then pulled forward to the muzzle and then removed from the rod. **SAFETY CAUTION:** Always wear safety glasses while disassembling and cleaning your combination gun to prevent eye injuries from spring-loaded parts, gun-cleaning solvents and sprays. Also, unload all magazines and remove all live ammunition from the cleaning area before proceeding to clean your Crossfire MK-1 combination gun. This both reduces the chance of an accident and helps prevent contamination of your ammunition by solvents and lubricants. Just the slightest contact of many common solvents and lubricants with ammunition can deaden primers and/or powder charges and cause misfires or hangfires.

When a more thorough cleaning is appropriate, it is necessary to field strip your Crossfire MK-1 combination gun. This should only be attempted by a Crossfire, LLC trained armorer or a qualified gunsmith. For a nominal fee the Crossfire MK-1 combination gun may be returned to the factory for a thorough cleaning. For further details, contact the Crossfire, LLC customer service department.

MAGAZINE DISASSEMBLY

You will not normally need to disassemble your magazines for cleaning each time you clean your Crossfire MK-1 combination gun. Disassembly and cleaning of the rifle magazines at less frequent intervals (perhaps every three to four months) is normally sufficient, unless the magazines have been exposed to dirt or other adverse conditions, or when inspection indicates the need for cleaning.

Safety Caution: The magazine spring, follower and inner floorplate are under spring tension and can cause eye or other injury if not controlled during removal. Wear protective safety glasses to reduce the risk of injuries. Be sure to maintain downward pressure on the magazine spring with your thumb while disassembling.

Disassembly of the Crossfire MK-1 rifle magazine begins with removing the floorplate. Cover the magazine spring with your thumb to control it while you remove the floorplate completely. The magazine spring and follower can then be removed from the magazine body.

When necessary, disassembled magazines may be brushed with a dry brush, and the magazine springs and followers wiped with a soft, clean cloth. No solvent or lubricants other than dry lubricants should be introduced into the magazine assembly to prevent contamination of the ammunition and possible resulting failures to fire. In case of accidental introduction, completely dry the magazine parts prior to reassembly.

Disassembly of the Crossfire MK-1 shotgun magazine is not recommended for anyone but a Crossfire, LLC certified armorer. However the Crossfire MK-1 shotgun magazine is easily cleaned without disassembly by using patches and brushes mounted on a short cleaning rod or similar device.

LUBRICATING THE CROSSFIRE MK-1

A common maintenance problem with Crossfire MK-1 combination guns is over-lubrication. Too much lubrication acts like a magnet to dust, dirt, unburned powder, fouling and other residue, which can interfere with proper functioning of your Crossfire MK-1 combination gun. Crossfire MK-1 combination guns are designed to operate properly with only a small amount of lubricant applied to moving surfaces.

To properly lubricate your combination gun after it has been thoroughly cleaned and dried, put a small amount of lubricant on all of the mechanical surfaces that rub against each other. If your Crossfire MK-1 combination gun is to be used in a severely dusty or extremely cold environment, a dry lubricant should be used exclusively.

INSPECTING YOUR CROSSFIRE MK-1

Limited (user-level) inspections of your Crossfire MK-1 combination gun, performed at regular intervals, can help to confirm that it is functioning properly. If you have failures of any of the following checks which cannot be remedied by cleaning, DO NOT LOAD OR FIRE YOUR Crossfire MK-1. Instead, send or take your combination gun to Crossfire, LLC, your Crossfire, LLC dealer, or a Crossfire, LLC certified armorer. To inspect your combination gun follow these steps:

1. **Unload.** Be certain that your Crossfire MK-1 combination gun is UNLOADED by following the unloading procedure covered in this manual.
2. **External Inspection.** Inspect the outside of your combination gun for dirt, corrosion or any visible damage. Pay special attention to the sights, trigger, fire selector, action release levers, magazine catches and extractors.
3. **Barrel Inspection.** Inspect both barrels for bulges, cracks or obstructions. Note: Should you find a cracked, bulged or obstructed barrel, take or send it immediately to Crossfire, LLC for repair or replacement. DO NOT attempt to fire the combination gun!



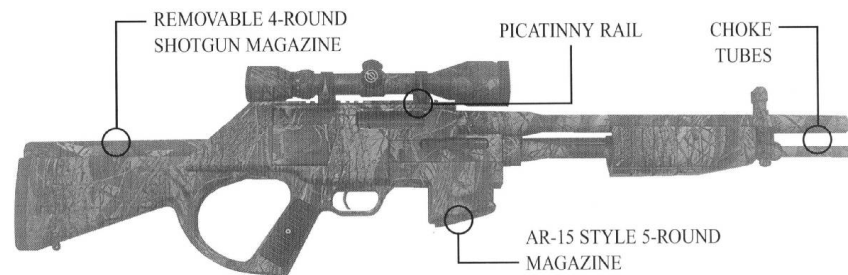
4. **Extractors.** Look across the breech face of both the shotgun bolt and the rifle bolt to inspect their respective extractors for cleanliness and to be sure the extractor claws are not broken or chipped.
5. **Ejectors.** The ejector in the frame of the combination gun's shotgun action should be intact (not broken). The plunger ejector in the rifle bolt should be in its forward position under considerable spring tension.
6. **Fire Selector Lever.** Put the fire selector on shotgun, dry-fire and cycle the action several times to make sure it is working properly. Leave the shotgun bolt cocked, switch to the rifle barrel and repeat the dry-firing and cycling several times to ensure it is working.
7. **Manual Safety Check.** Make sure that the combination gun is UNLOADED, with both bolts cocked. With the combination gun pointed in a safe direction, put the fire selector in the safety position (middle) and attempt to pull the trigger. If either bolt has its firing pin drop, immediately have the gun inspected by a Crossfire, LLC armorer.
8. **Trigger Disconnect.** Making sure that the combination gun is UNLOADED and pointed in a safe direction, with the fire selector in the shotgun (upward) position, pull the trigger and hold the trigger to the rear. You should hear and feel the firing pin fall. Maintaining pressure on the trigger, activate the action release levers, pull the forearm to the rear and push it forward. Now release the trigger. The striker should still be cocked. Dry-firing can test this. Repeat several times. Leave the shotgun barrel cocked, switch the fire selector to the rifle (downward) position and repeat the same sequence several times with that barrel.

9. **Magazine.** Inspect all magazines for dirt or visible damage, taking special care to look for damaged or spread magazine lips or broken magazine followers. Press down on the follower with your fingertip and release. The follower should spring fully upward, and not stick inside either magazine tube.

INSPECTION AND SERVICING BY CERTIFIED CROSSFIRE, LLC ARMORER

Crossfire MK-1 combination guns carried by law-enforcement, security or military personnel, and other Crossfire MK-1 combination guns subjected to heavy usage, should be inspected periodically by a Crossfire, LLC certified armorer or should be returned to Crossfire, LLC for inspection. Although the appropriate inspection interval will depend on the conditions of use, a reasonable rule of thumb for the above users is an annual inspection by a Crossfire, LLC certified armorer.

CROSSFIRE MK-1 SPECIFICATIONS



Length.....	38 inches
Weight.....	9 lbs.
Calibers.....	12-ga. 3" (shotgun) / .223 REM (rifle)
Action type.....	Pump-action for both systems
Optical mount.....	Picatinny rail
Finish.....	Black oxide / Camo finish
Magazine capacity.....	4-round detachable magazine (shotgun) / 5-round detachable AR-15 type

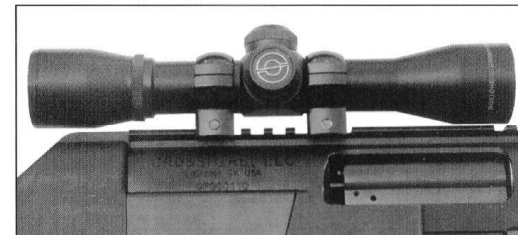
SIGHTING OPTIONS

Iron Sights. Crossfire, LLC offers a ghost ring peep-type sight as the standard sight on this weapon.

Night Sights. Crossfire, LLC offers Mepro tritium night sights as a factory option. These sights offer a self-luminous sight picture and are extremely useful for shooting in low-light conditions.

Optical Sights. The Crossfire MK-1 has a Picatinny rail base that allows the installation of a wide range of telescopic, red dot, night vision and other optical sights. Scope rings of the Weaver-type will work well.

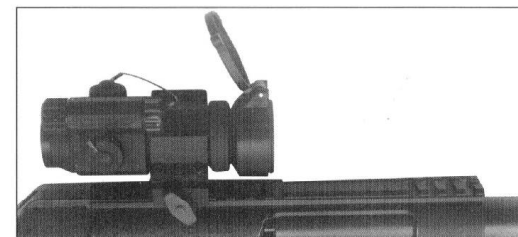
Shotgun Scope



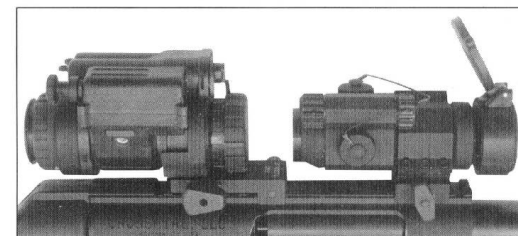
Rifle Scope



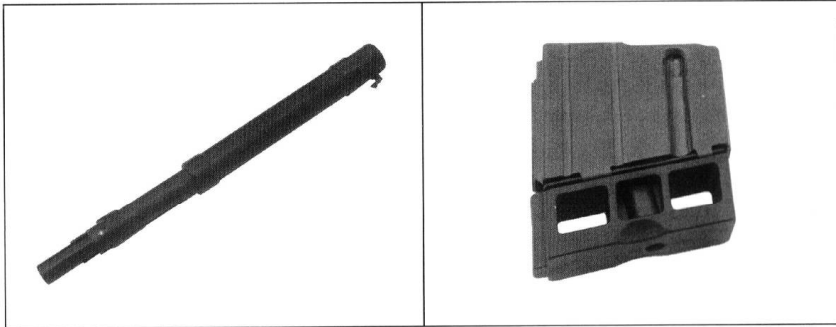
Aimpoint



Aimpoint with ITT Night Vision



ORIGINAL CROSSFIRE MK-1 ACCESSORIES AND OTHER PRODUCTS



Spare rifle magazines
Spare shotgun magazines
Blocked (2-round) magazines for the shotgun
Choke tubes
Sling
Tritium night sights
Scope mounts

LEAD WARNING

Discharging firearms in poorly ventilated areas, cleaning firearms or handling ammunition may result in exposure to lead and other chemicals known to cause birth defects, reproductive harm, cancer and other serious physical injury. Have adequate ventilation at all times. Wash hands thoroughly after exposure.

WARRANTY INFORMATION

This "Limited Warranty" has been drafted to comply with the Magnuson-Moss Warranty Federal Trade Commission Improvement Act which is effective for goods manufactured on or after December 31, 1995.

Crossfire, LLC firearms are warranted to be free from defects in material and workmanship for one (1) year after the date of original new gun retail purchase. The manufacturer agrees to correct by repair or replacement (with the same or comparable quality model) your firearm, without charge, if returned prepaid with a copy of the bill of sale.

Crossfire, LLC assumes no responsibility for product malfunction or for physical injury or property damage resulting from such a malfunction.

