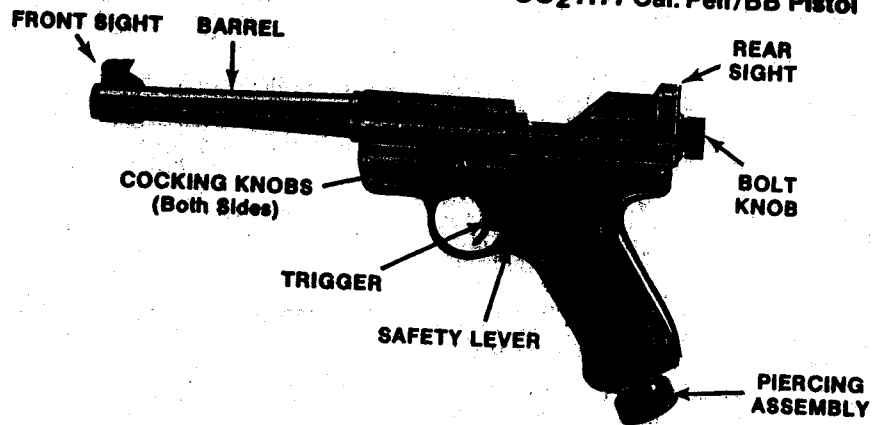


Cresman
Airguns

Model MK-I
CO2 .22 Cal. Pell Pistol
Model MK-II
CO2 .177 Cal. Pell/BB Pistol



BE CAREFUL — BE A SAFE SHOOTER



CAUTION

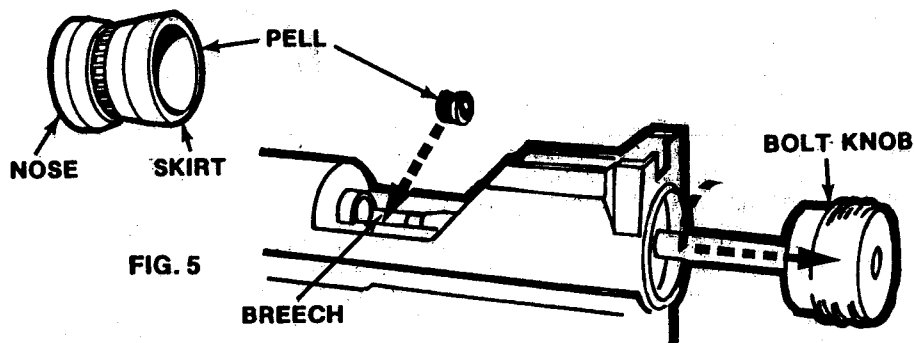
**NOT A TOY. ADULT SUPERVISION
REQUIRED. MISUSE OR CARELESS USE MAY CAUSE SERIOUS
INJURY OR DEATH. MAY BE DANGEROUS UP TO 450 YARDS
(412 METRES). READ ALL INSTRUCTIONS BEFORE USING.**

**BUYER AND USER HAVE THE DUTY TO OBEY ALL LAWS ABOUT
THE USE AND OWNERSHIP OF THIS AIRGUN.**

Step 4 HOW TO LOAD

With the gun "ON SAFE", turn the Bolt Knob counterclockwise one quarter turn, and pull it back (Fig. 5). Point the muzzle slightly downward and place a Crosman SUPER PELL, or BB, in the Breech Section. Push the Bolt Knob

fully forward and turn the knob clockwise to lock the Bolt. It is important to turn the Bolt Knob a complete quarter turn to secure the lock and prevent the Bolt from moving back when the pistol is fired.



BE CAREFUL — BE A SAFE SHOOTER

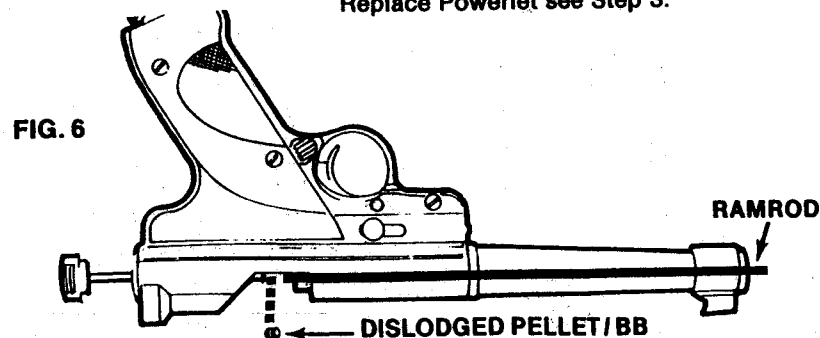
Step 5 HOW TO AIM AND FIRE

Point the pistol in a SAFE DIRECTION and when you are sure of your Target and Backstop, move the Safety Lever downward to the "DOWN FIRE" position, take aim and squeeze the Trigger to fire.

NOTE: If a Pellet does not leave the gun, your gun is jammed or low on CO₂ gas.

How to remove a Jammed Pellet or BB from Barrel

Remove Powerlet see Step 2 Section A and B. Turn the Bolt Knob counterclockwise and pull back fully. Insert a metal rod or metal clothes hanger into Muzzle end of Barrel and gently push the Pellet or BB out into the Breech Section (fig. 6). Replace Powerlet see Step 3.



LUBRICATION

Follow these simple instructions to insure the long life of your gun. After every 250 shots apply 2 or 3 drops of Crosman PELLGUNOIL. (Fig. 7).

It is not necessary to clean the Barrel Bore, but the occasional application of a

little PELLGUNOIL is recommended to prevent the Barrel from rusting.

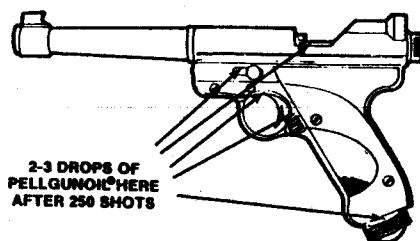


FIG. 7

BE CAREFUL—BE A SAFE SHOOTER

How to adjust the Trigger on your Mark I or Mark II Pellet Pistol.

The Mark I and Mark II Pistols are designed and equipped with a unique adjustable double sear which permits adjustment from conventional trigger pull to an extra fine crisp let-off.

WARNING: When the Trigger is adjusted to a very fine engagement, extreme care should be exercised to be sure the Safety Lever is kept at the UP SAFE position until the pistol is pointed in a SAFE DIRECTION and you are ready to shoot.

Turn Pistol upside down, pointed in a SAFE DIRECTION. The Trigger Adjustment Screw is visible inside the Trigger Guard and forward of the Trigger (Fig. 9). Move Cocking Knobs forward to cock pistol. Put pistol "ON SAFE". By means of a 1/16 inch Allen wrench, turn the Trigger Adjustment Screw in a clockwise direction 1/4 turn at a time for finer adjustment. Point the pistol in a

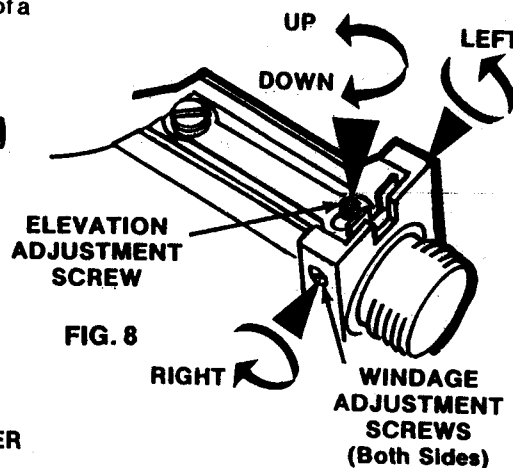


FIG. 8

SAFE DIRECTION, put Safety Lever down to "FIRE" and squeeze the Trigger to test the adjustment. With the pistol pointing in a SAFE DIRECTION, recock the gun, put pistol "ON SAFE" and repeat the process until desired fine adjustment is achieved. When the limit of the adjustment has been reached, the gun will fire and will not be able to be recocked. Turn fully the Trigger Adjustment Screw counterclockwise until the pistol can be cocked. To return to a conventional Trigger adjustment continue to turn the Adjustment Screw counterclockwise until the required adjustment is attained. Test fire and repeat the entire procedure if further adjustment is required.

SPECIFICATIONS

Mechanism	Single shot, bolt action
Caliber: MK-I	.22
MK-II	.177
Ammunition:	
MK-I	.22 cal. Crosman Copperhead Pellets
MK-II	.177 cal. Crosman Copperhead Pellets or BBs
Weight	2 lbs. 11 oz. (1.3 kg)
Overall Length	10 $\frac{1}{4}$ in. (273mm)
Sights: Rear	Fully adjustable for elevation and windage
Front	Undercut blade
Barrel	7-13/16 in. (198mm), steel tube, button rifled, 10 lands, right-hand twist, one turn in 16 in. (405mm)
Trigger	Double sear, adjustable engagement
Power Source	One Crosman 12 gr. CO ₂ Powerlet®

PERFORMANCE

	(Average) Muzzle Velocity Above	Projectile	Weight
MK-I	350 f.p.s.	.22 Pellet	12.5 gr.
MK-II	450 f.p.s.	.177 BB	5.5 gr.
	400 f.p.s.	.177 Pellet	8.2 gr.

Average 60 Shots per Powerlet at 70°F

NOTE: Operating gun at below 70°F will decrease the number of effective shots, the reverse is true for gun operation above 70°F.

BE CAREFUL — BE A SAFE SHOOTER

HOW TO OPERATE

IMPORTANT: Steps for safe and satisfactory operation.

- Step 1 Put pistol "ON SAFE"
- Step 2 Remove factory installed CO₂ Powerlet
- Step 3 Load and pierce CO₂ Powerlet
- Step 4 Load
- Step 5 Aim and Fire

Point the pistol in a SAFE DIRECTION and push the Cocking Knobs fully forward until locked. Immediately move the Safety Lever upward to the "UP SAFE" position marked on the pistol. (Fig.1)

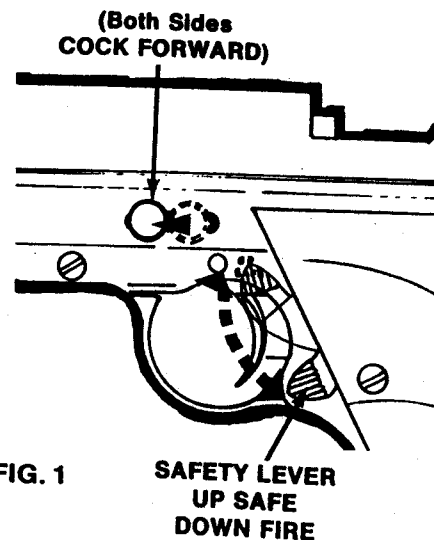
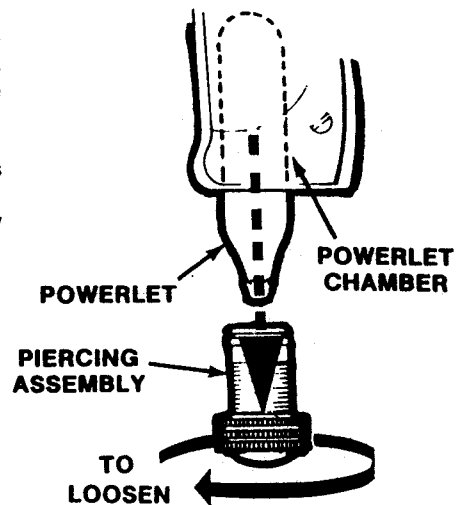


FIG. 1

Point gun in SAFE DIRECTION, take "OFF SAFE" and Test fire. If gun fires follow Steps A and B. If gun does not fire follow Step B

- A. Cock and fire gun until all gas is exhausted.
- B. Loosen Powerlet Piercing Assembly all the way (Fig. 2).
- C. Cock and put "ON SAFE".

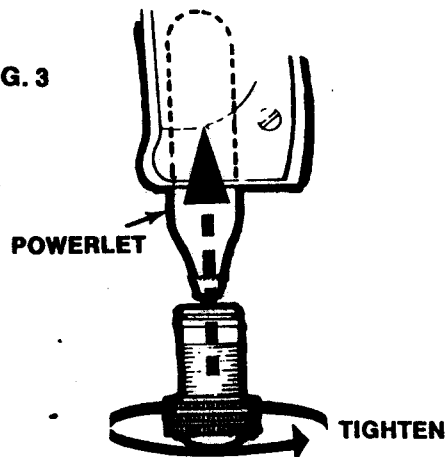
FIG. 2



Step 3 HOW TO LOAD AND PIERCE CO2 POWERLET

- A. Insert new Powerlet in the Powerlet Chamber with the neck or cap toward the open end of grip. (See Fig. 3)
- Screw the Piercing Assembly firmly until finger tight.

FIG. 3



CAUTION: If Piercing Assembly is difficult to remove, DO NOT USE PLIERS OR OTHER TOOL TO FORCE IT OPEN. This indicates gun is under CO2 pressure. Follow instructions (A) in Step (2)

- B. To pierce the Powerlet, grip the gun firmly with both hands and press the Piercing Assembly down on a hard surface (table top, etc.) (See Fig. 4) This will pierce the Powerlet and your pistol is under pressure.

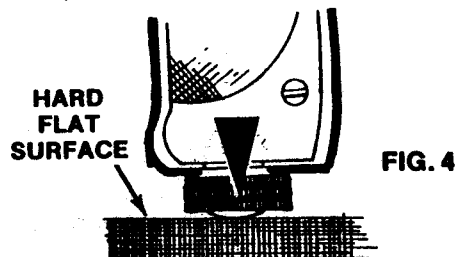


FIG. 4

How to adjust the Trigger on your Mark I or Mark II Pellet Pistol.

The Mark I and Mark II Pistols are designed and equipped with a unique adjustable double sear which permits adjustment from conventional trigger pull to an extra fine crisp let-off.

WARNING: When the Trigger is adjusted to a very fine engagement, extreme care should be exercised to be sure the Safety Lever is kept at the UP SAFE position until the pistol is pointed in a SAFE DIRECTION and you are ready to shoot.

Turn Pistol upside down, pointed in a SAFE DIRECTION. The Trigger Adjustment Screw is visible inside the Trigger Guard and forward of the Trigger (Fig. 9). Move Cocking Knobs forward to cock pistol. Put pistol "ON SAFE". By means of a 1/16 inch Allen wrench, turn the Trigger Adjustment Screw in a clockwise direction 1/4 turn at a time for finer adjustment. Point the pistol in a

SAFE DIRECTION, put Safety Lever down to "FIRE" and squeeze the Trigger to test the adjustment. With the pistol pointing in a SAFE DIRECTION, recock the gun, put pistol "ON SAFE" and repeat the process until desired fine adjustment is achieved. When the limit of the adjustment has been reached, the gun will fire and will not be able to be recocked. Turn fully the Trigger Adjustment Screw counterclockwise until the pistol can be cocked. To return to a conventional Trigger adjustment continue to turn the Adjustment Screw counterclockwise until the required adjustment is attained. Test fire and repeat the entire procedure if further adjustment is required.

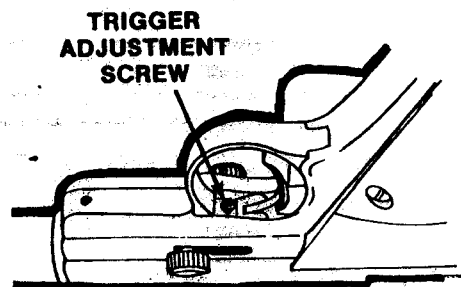


FIG. 9

REPAIR SERVICE

If your gun needs repair, we recommend you take or send it to your nearest Crosman Authorized Service Center, (list of service centers in box with gun). Your gun requires special tools and fixtures to repair, and if you take it apart, you probably will not be able to reassemble it correctly. Crosman assumes no warranty responsibility in this case.

A SPECIAL CUSTOMER SERVICE

Crosman Authorized Service Center will unjam your gun at no cost, during Warranty period.