



Model 1008

.177 Caliber (4.5 mm) CO₂ Air Pistol OWNER'S MANUAL READ ALL INSTRUCTIONS AND WARNINGS IN THIS MANUAL BEFORE USING THIS AIRGUN

Crosman Corporation
Routes 5 & 20,
P.O. Box 308
E. Bloomfield, NY 14443
www.crosman.com
1-800-7AIRGUN

P/N 1008-515

WARNING: Not a toy. Adult supervision required. Misuse or careless use may cause serious injury or death. May be dangerous up to 400 yards (366 meters).

YOU AND OTHERS WITH YOU SHOULD ALWAYS WEAR SHOOTING GLASSES TO PROTECT YOUR EYES.
READ ALL INSTRUCTIONS BEFORE USING.
BUYER AND USER HAVE THE DUTY TO OBEY ALL LAWS ABOUT THE USE AND OWNERSHIP OF THIS AIRGUN.

THIS AIRGUN IS INTENDED FOR USE BY THOSE 16 YEARS OF AGE OR OLDER.

WARNING: Lead pellets. Do not inhale dust or put pellets in mouth. Wash hands after handling. This product contains lead, a chemical known to the State of California to cause cancer and birth defects (or other reproductive harm.)

Congratulations and thank you for purchasing the CROSMAN® Model 1008 .177 caliber (4.5 mm)-pellet airgun. Please read this owner's manual completely. And remember, this airgun is not a toy. Treat it with the same respect you would a firearm. Always carefully follow the safety instructions found in this owner's manual and keep this manual in a safe place for future use.

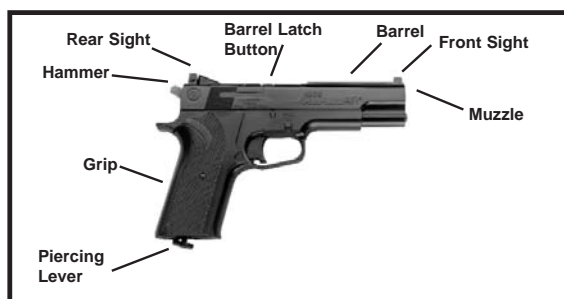
If you have any questions regarding your new airgun, please contact Crosman at 1-800-724-7486, 585-657-6161 or www.crosman.com.

Operating Procedures

- Section 1. Learning the Parts of Your New Airgun
- Section 2. Operating the Safety
- Section 3. Installing and Removing CO₂
- Section 4. Loading and Unloading Pellets
- Section 5. Aiming and Firing Safely
- Section 6. Removing a Jammed Pellet
- Section 7. Maintaining Your Airgun
- Section 8. Reviewing Safety

1. Learning the Parts of Your New Airgun.

Learning the names of the parts of your new airgun will help you to understand your owner's manual. Use this manual to increase your enjoyment of this airgun.



2. Operating the Safety

2.1 To Put the Airgun "ON SAFE":

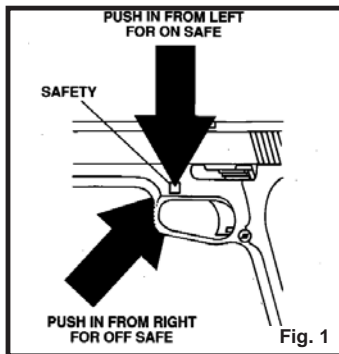
- Locate the safety directly in front of the trigger.
- Push the safety from the left side all the way in (Fig. 1). The safety is not "On Safe" unless it is pushed all the way in and the RED ring around the safety is NOT showing.
- Like all mechanical devices, an airgun safety can fail. Even when the safety is "On Safe", you should continue to handle the airgun safely. NEVER point the airgun at any person.
- NEVER point the airgun at anything you do not intend to shoot.

2.2 To Take the Airgun "OFF SAFE":

- Push in the safety from the right. When you can see the RED ring around the left side of the safety, the airgun is "Off Safe" and can be fired.

3. Installing the CO₂ Cartridge

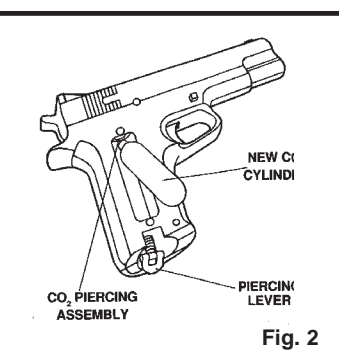
- Make sure the airgun is "On Safe" (See Step 2.1)
- Remove the right grip.



WARNING: CO₂ cartridges may explode at temperatures above 120°F (48.9°C). Do not mutilate or incinerate them. Do not expose them to heat or store CO₂ cartridges at temperatures above 120°F (48.9°C).

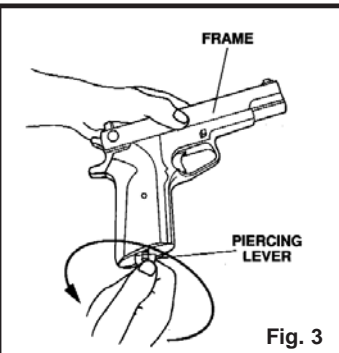
WARNING: Keep hands and face away from escaping CO₂ gas. It can cause frostbite if allowed to come in contact with skin.

- Turn the piercing lever counter clockwise, to bring the base down.
- Insert a new CO₂ cartridge into the airgun with the small neck of the cartridge pointing toward the piercing assembly (Fig. 2).
- Snap the right grip cover back into place.
- With your thumb and finger, turn the piercing lever clockwise to secure the CO₂ cartridge. Never use any tool on the piercing lever. Over-tightening can cause injury to you or damage to your airgun. (Fig. 2)
- Point the airgun in a SAFE DIRECTION, take "Off Safe" (See Step 2.2) and pull the trigger. If the airgun does not make a popping noise after pulling the trigger, the CO₂ is not being discharged. In that event, you will have to tighten the piercing lever a little more, point the airgun in a SAFE DIRECTION and pull the trigger until there is a popping noise, which will mean the airgun is releasing CO₂ with each pull of the trigger.
- Return the safety to the "On Safe" position (See Step 2.1).
- NOTE: We recommend the use of CROSMAN® POWERLET® CO₂ cartridges. They are made to fit your airgun. Other brands of CO₂ cartridges may not fit properly and if you force them into place it may result in injury to you or damage to your airgun. Never try to force any CO₂ cartridge into or out of place. Do not store your airgun with a CO₂ cartridge in it. (This is very important to remember, as it will prolong the longevity of your airgun seals.) (See Step 3.2 & 4.2).



3.2 Removing the CO₂ Cartridge

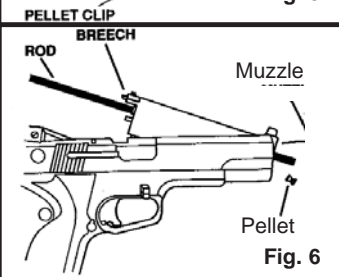
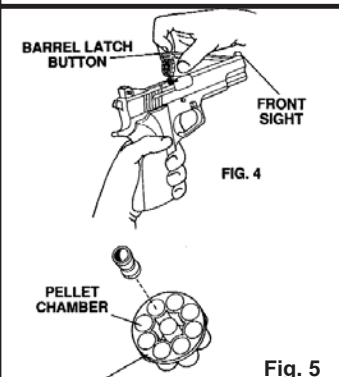
- Make sure the airgun is "On Safe" (See Step 2.1).
- Make sure the airgun is unloaded (See Step 4.2).
- Point the airgun in a SAFE DIRECTION.
- With one hand, hold the airgun by the frame. With the other hand, slowly turn the piercing lever counterclockwise until it stops (Fig. 3).
- Remove the grip cover from the right side of the airgun by lifting up from the bottom edge.



4. Loading and Unloading Pellets

4.1 Loading Pellets

- Put the air gun "On Safe". (See Section 2.1).
- Point the airgun in a SAFE DIRECTION.
- Press barrel latch button toward the front sight until the barrel pops open (Fig. 4). DO NOT PULL THE BARREL UPWARD BEYOND THIS POINT. This could damage your airgun.
- Remove the pellet clip and place a .177 caliber (4.5 mm) pellet, nose first, in each pellet chamber (Fig. 5). IMPORTANT: To avoid jams or deforming the pellets, make sure the pellet skirt is level or slightly below the rim of the pellet chamber.
- Replace the pellet clip on the barrel (ratchet teeth facing the front sight).
- Close the airgun by pushing downward on the barrel until it locks into place. (Be careful not to pinch your hand or fingers.)



4.2 Unloading Pellets

- Put the air gun "On Safe". (See Section 2.1)
- Open the barrel (See Step 4.1).
- Remove the pellet clip. Using a ramrod, gently push each pellet out of the pellet chamber.
- IMPORTANT: Never use sharp metal tools to remove pellets.
- Check to make sure the barrel is completely unloaded by pointing the muzzle toward an object with a light background and looking through the breach. If there is a pellet in the barrel, push the pellet out of the muzzle end of the barrel using a ramrod of the proper size (Fig. 6).
- Replace the empty pellet clip (ratchet teeth facing the front sight) on the barrel (See Fig. 4).
- Close the airgun by pushing downward on the barrel until it locks into place. (Be careful not to pinch your hand or fingers.)

5. Aiming and Firing Safely

5.1 Aiming the Airgun

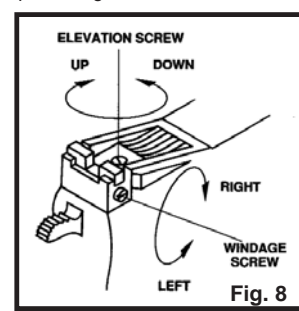
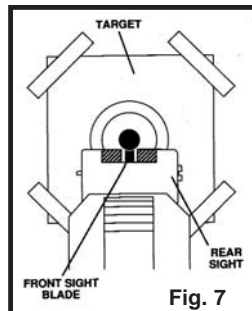
- Always point your airgun in a SAFE DIRECTION.
- Follow the instructions for inserting CO₂ (Step 3.1) and loading (Step 4.1).
- You and others with you should always wear shooting glasses to protect your eyes.
- Do not shoot at hard surfaces or at the surface of water. The pellet may bounce off or ricochet and hit someone or something you had not intended to hit.
- Always choose your target carefully. For example, you may wish to shoot at paper bulls-eye targets that are attached to a safe backstop such as the Crosman 850 Target Trap. A heavy blanket should be hung behind the target trap to prevent ricochet should you miss the backstop.
- Your airgun is designed for target shooting and is suited for both indoor and outdoor use. Always remember to place your target carefully. THINK about what you will hit if you miss the target.
- The airgun is correctly aimed when the front sight blade is positioned exactly in the center of the notch of the rear sight. The top of the front sight blade should be even with the top of the notch in the rear sight. The bulls-eye should appear to rest on the top of the front sight. (Fig. 7)
- When you are sure of your target and backstop, and the area around the target is clear, take the airgun "Off Safe" (see Section 2.2) and pull the trigger to fire.

5.2 Sight Adjustment

Move the rear sight in the same direction you want the pellet to hit on the target.

Elevation Adjustment: Turn screw clockwise to move point of impact up, turn screw counter-clockwise to move point of impact down. (Fig. 8)

Windage Adjustment: Turn screw clockwise to move point of impact to right and counterclockwise to move point of impact to left.



6. Removing a Jammed Pellet

Follow the instructions under Step 4.2 - Unloading the Pellets.

If you are not able to unjam your airgun by following the unloading procedure, take no further action. An Authorized Service Station will unjam your airgun (no cost during the warranty period).

7. Maintaining Your Airgun

- Before you attempt to oil your airgun, make sure the gun is "ON SAFE", unloaded and CO₂ cylinder has been removed (see Steps 2.1, 3.2 and 4.2)
- Your airgun will maintain proper function longer if you oil it every 250 shots. Put 1 drop of Crosman 0241 Pellgunoil® on the tip of every CO₂ cylinder will also help to maintain your airgun. DO NOT use petroleum distillate based oil or solvent and DO NOT over-oil as this can cause damage to your airgun.
- DO NOT MODIFY OR ALTER YOUR AIRGUN. Attempts to modify the airgun in any way inconsistent with this manual may make your airgun unsafe to use, cause serious injury or death, and will void the warranty.
- If you drop your airgun, visually check to see that it works properly before you use it again. If anything seems changed, like a shorter or weaker trigger pull, this may mean worn out or broken parts. Call Crosman customer service for assistance before using your airgun again.

8. Reviewing Safety

- Never point the airgun at any person or at anything you do not intend to shoot.
- Always treat the airgun as though it is loaded and with the same respect you would a firearm.
- Always aim in a SAFE DIRECTION. Always keep the muzzle of the airgun pointed in a SAFE DIRECTION.
- Always keep the airgun on safe until you are ready to shoot.
- Always check to see if the airgun is "On Safe" and unloaded when getting it from another person or from storage.
- Always keep your finger off the trigger and out of the trigger guard until ready to shoot.
- You and others with you should always wear shooting glasses to protect your eyes.
- If your reading or prescription glasses are not safety glasses, make sure you wear shooting glasses over your regular glasses.
- Use .177 caliber (4.5 mm) pellet only.
- Never reuse ammunition.
- Do not shoot at hard surfaces or at the surface of water. The pellet may bounce off or ricochet and hit someone or something you had not intended to hit.
- Place the backstop in a location that will be safe should the backstop fail.
- Your backstop should be checked for wear before and after each use. All backstops are subject to wear and will eventually fail. Replace your backstop if the surface is worn or damaged or if a ricochet occurs.
- Do not attempt to disassemble or tamper with your airgun. Use an Authorized Service Station. Using unauthorized repair centers or modifying the function of your airgun in any way may be unsafe and will void your warranty.
- Always keep your CrosBlock® trigger block in place when storing this airgun. Store airgun in a secure location. (See CrosBlock instructions packaged with this airgun for assistance)
- Before you store your airgun, make sure that it is unloaded, not charged, and that the airgun is "On Safe."

SPECIFICATIONS:

Mechanism/Action	8-Shot Repeater
Caliber/Ammunition	.177 cal. (4.5 mm) Lead Airgun Pellet
Weight	17 oz. (.48 kg)
Length	8.63 inches (21.9 cm)

Sights	Front: Fixed Rear: Adjustable for Windage and Elevation
Power Source:	12 gram CO ₂ cartridge
Safety:	Cross bolt
Velocity:	Up to 430 fps (131 mps)
Barrel:	Steel

PERFORMANCE: Many factors can affect velocity, including brand of projectile, type of projectile, amount of CO₂ in cartridge lubrication, barrel condition and temperature.

REPAIR SERVICE

If your airgun needs repair, we recommend you take or send it to your nearest Crosman Authorized Service Station. DO NOT ATTEMPT TO DISASSEMBLE IT! Your airgun requires special tools and fixtures to repair it. Any disassembly or modification not performed by an Authorized Service Station will void the warranty.

A SPECIAL CUSTOMER SERVICE

Crosman Authorized Service Stations will unjam your airgun at no cost during the warranty period.

LIMITED ONE YEAR WARRANTY

This product is warranted to the retail consumer for one year from date of retail purchase against defects in material and workmanship and is transferable. To register the serial number of your airgun, please return the airgun registration form. The warranty is not conditioned on the return of the card. You should retain the original sales receipt as record of date of purchase.

WHAT IS COVERED

Replacement parts and labor. Transportation charges to consumer for repaired product.

WHAT IS NOT COVERED

Transportation charges to Authorized Service Station for product. Damages caused by abuse, modification or failure to perform normal maintenance - see Owner's Manual. Any other expense. CONSEQUENTIAL DAMAGES, INCIDENTAL DAMAGES, OR INCIDENTAL EXPENSES INCLUDING DAMAGE TO PROPERTY. SOME STATES DO NOT ALLOW THE EXCLUSION OR LIMITATION OF INCIDENTAL OR CONSEQUENTIAL DAMAGES SO THE ABOVE LIMITATION OR EXCLUSION MAY NOT APPLY TO YOU.

HOW TO OBTAIN WARRANTY PERFORMANCE

U.S. Customers: Locate nearest service station (see www.crosman.com or call Crosman customer service at 800-724-7486 for list of stations). The service station will give you details of how to proceed with sending the item in for repair. You must contact the station prior to shipping your product.

Canadian Customers: Contact Crosman Parts & Service- 611 Neal Drive Peterborough, ON K9J 6X7. 705-749-0206.

International Customers: Please return product to your nearest distributor. If you do not know your distributor, please call 585-657-6161 and ask for our International Department for assistance.

IMPLIED WARRANTIES

ANY IMPLIED WARRANTIES INCLUDING THE IMPLIED WARRANTIES OF MERCHANTABILITY AND FITNESS FOR A PARTICULAR PURPOSE ARE LIMITED IN DURATION TO ONE YEAR FROM DATE OF RETAIL PURCHASE. SOME STATES DO NOT ALLOW LIMITATIONS ON HOW LONG AN IMPLIED WARRANTY LASTS SO THE ABOVE LIMITATIONS MAY NOT APPLY TO YOU.

To the extent any provision of this warranty is prohibited by federal, state or municipal law, which cannot be preempted, it shall not be applicable. This warranty gives you specific legal rights and you may also have other rights, which vary, from state to state.

CROSMAN, PELLGUNOIL and CROSBLOCK are registered trademarks of Crosman Corporation in the United States.

