
Crimson  **Trace**

Owner's Manual

Models LG: 301, 302, 304, 309, 312, 320, 401 and 404
1911 Gov't and Officers, Beretta 92/96, Beretta Vertec,
Browning Hi-Power, Sig P220

L A S E R G R I P S[®]

Thank you for selecting the finest laser sighting system: Crimson Trace Lasergrips.

When it comes to speed, accuracy and security, Crimson Trace is the top choice of law enforcement, militaries and legally armed citizens around the world.

Feel free to contact us at 1.800.442.2406 with any questions you may have regarding your Lasergrips.

We also encourage you to visit us online at ***www.crimsontrace.com***. Here you can register your product, find valuable information on training and tactics or join fellow Crimson Trace users on our online forums.

Before installing Lasergrips, please read the entire manual.

Failure to follow these instructions and procedures may result in injury or death.

- Always follow firearms safety rules as outlined by the firearms manufacturer.
- Do not point the laser beam at eyes. Permanent eye damage can result.
- Keep this and all firearm related products locked and secured from children or other unauthorized users.

INSTALLATION INSTRUCTIONS

1. Make sure firearm is unloaded. Remove magazine and double check that chamber is empty.
2. Remove existing grips. Screws will be reused with Lasergrips.
3. Place one battery in each Lasergrips panel with positive (+) side up.
4. Install dust guard panels between Lasergrips and frame of pistol.
(Hi-Power does not use dust shields. See fit notes on page 8)
5. Wrap Lasergrips around frame of pistol. Replace and tighten screws.
6. Attach laser "Danger" sticker to outside of pistol.
7. Ensure that master ON/OFF switch is in "ON" position. (See pages 4 through 8 for details)
8. Confirm that laser and iron sights are in alignment. Lasergrips are sighted-in at the factory, but can be fine-tuned for windage and elevation. (See pages 9 and 10 for complete sighting info)

OPERATING INSTRUCTIONS

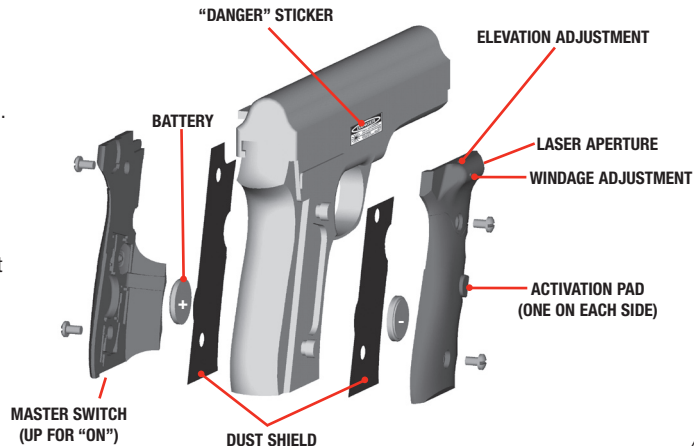
Lasergrips are activated by strategically located pressure pad(s). With a normal shooting grip, your middle fingertip will naturally hit a pressure pad whether shooting right or left-handed.

A master ON/OFF switch is also provided in the left panel to turn the laser off. The laser should be left in the 'ON' position under most circumstances. **Turning the master switch "OFF" will NOT increase battery life.**

Use caution when activating the laser to avoid direct eye exposure, which can result in permanent eye damage. Follow all precautions as outlined by the firearms manufacturer. Keep this and all firearm related products locked and secured from children or other unauthorized users.

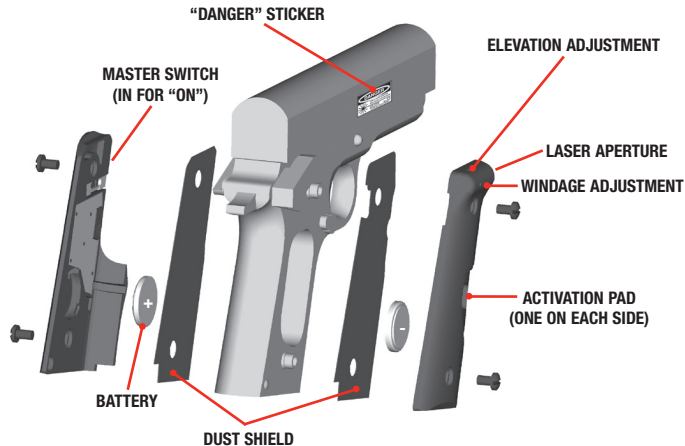
BERETTA 92/96, VERTEC (LG302 / LG312)

A black plastic, dime-sized spacer is included in the LG302 accessory bag. This spacer fits in a recess at top of the left-side grip panel. Use this spacer on older 92 models only. The spacer will not fit on newer pistols and should not be used.



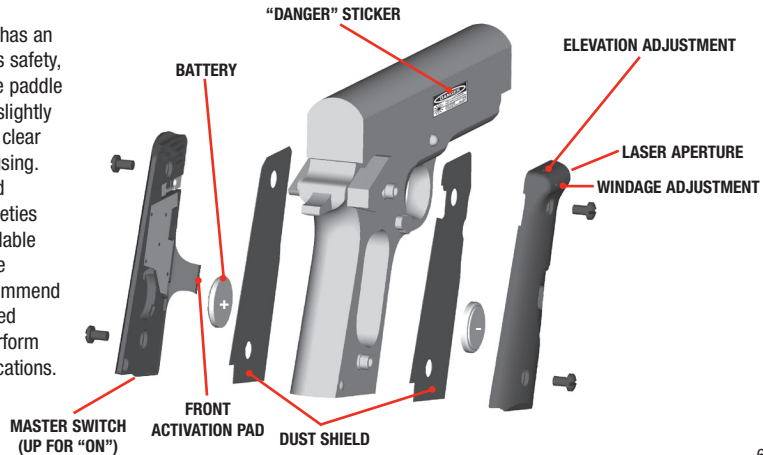
1911 GOVERNMENT/COMMANDER, OFFICERS (LG301 / LG304)

If your 1911 has an ambidextrous safety, the right-side paddle needs to be slightly shortened to clear the laser housing. Pre-shortened Ed Brown safeties are also available from CTC. We strongly recommend that a qualified gunsmith perform these modifications.



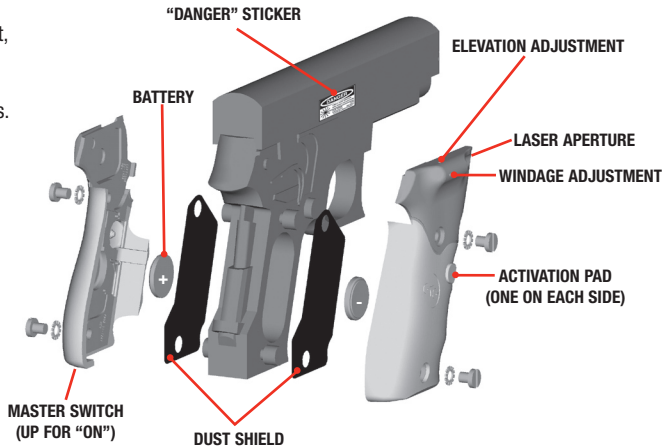
1911 GOVERNMENT/COMMANDER (LG401 / LG404)

If your 1911 has an ambidextrous safety, the right-side paddle needs to be slightly shortened to clear the laser housing. Pre-shortened Ed Brown safeties are also available from CTC. We strongly recommend that a qualified gunsmith perform these modifications.



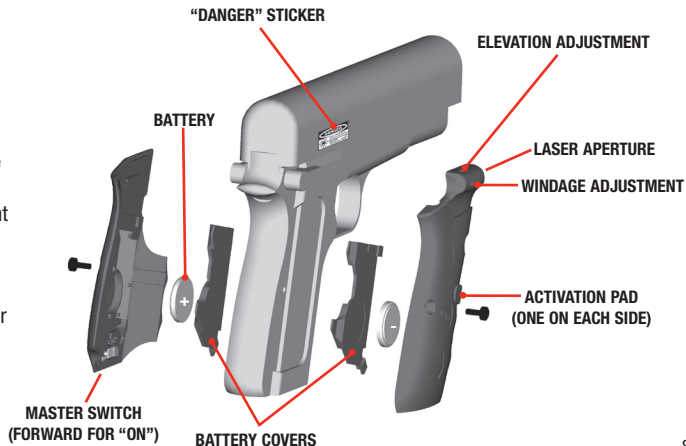
SIG SAUER P220 (LG320)

Install left panel first,
then right panel.
Use original grip
screws and washers.



BROWNING HI-POWER (LG309)

Plastic battery covers,
labeled L (left) and
R (right) are included
with the LG309. Place
one battery in each
panel with the positive
(+) side up. Place R
battery cover over right
battery. Hold panel
against gun frame
while installing screw
to ensure battery cover
does not move. Then
install left panel the
same way.



SIGHTING ADJUSTMENTS

Lasergrips are pre-sighted at the factory for 50ft. Many times no further adjustments are required. Lasergrips are fully adjustable for windage and elevation if further adjustments are desired. A good starting point is to align the laser with your fixed sights (fig. 1)

A two-screw alignment system is used to adjust for windage and elevation. The adjustment screws are located just behind the laser aperture. Place the included allen wrenches into the adjustment screws. To move the laser to the right, turn the windage screw clockwise. To move the laser up, turn the elevation screw clockwise.

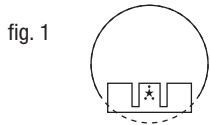


fig. 1

beam lined up with proper sight picture

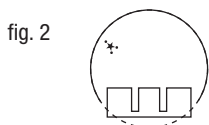


fig. 2

beam moved to line up with impact point

DO NOT overturn adjustment screws. A little adjustment goes a long way.
Rarely is more than one complete turn required.

SIGHTING ADJUSTMENTS

Start by tuning the beam to line up with your fixed sights at the desired distance. Most people sight in their laser at between 20 and 50 feet. However, because of the small amount of mechanical offset between the laser and the bore, the actual change in point-of-impact from these distances is very small.

Further adjustment can be made at the range to determine where your pistol impacts in relation to its fixed sights. The laser should be moved to the actual impact point of the bullet. (fig. 2)

Occasionally, one of the adjustment screws will turn but not adjust the beam. If this happens, turn the opposite adjustment screw (i.e. windage screw if the elevation is stuck). This normally will free up the adjustment mechanism. To finish adjustment, turn the screw that was not rotating first, then complete the other adjustment.

Lasergrips can be removed from the pistol for maintenance and cleaning without losing “zero”.

MAINTENANCE

Lasergrips require minimal attention and are designed to resist most common firearms chemicals and lubricants. However, excessive exposure to these chemicals can be detrimental. To ensure the safe and effective operation of your Lasergrips:

- Remove Lasergrips before cleaning gun.
- Do not use pressurized or compressed air on Lasergrips.
- Do not immerse Lasergrips in cleaning fluid or lubricate firearm excessively. A pistol that has too much oil will foul the lens of the laser and create an unfocused beam. This can be easily cleaned and causes no permanent damage.
- Do not allow cleaning solution to enter lens area.
- Do not allow solvents to contact your grips that contain: VOCs or TCE such as: carb/brake cleaner, acetone, MEK, gasoline. Grip damage will result.

After extensive shooting, you may notice a degradation of beam quality or “beam spread”. This is the result of fouling on the lens surface. This is normal and can be easily cleaned with the included cleaning tools or a small cotton swab dipped in isopropyl alcohol or window cleaner. Dry the lens with a clean swab. **When cleaning the lens do not touch lens with any sharp objects.**

BATTERY GUIDELINES / REPLACEMENT

Batteries normally last for about 4 hours of constant on. If the laser becomes dim or fades, replace batteries. Keep battery compartment free of dirt or other contaminants. Debris inside battery compartment may affect laser operation.

Lasergrips use commonly available **CR2032** or **DL2032** type batteries. To replace batteries:

1. Ensure that pistol is unloaded.
2. Check again to make sure pistol is unloaded.
3. Remove Lasergrips and old batteries.
4. Install new batteries with positive (+) polarity up.

SPECIFICATIONS

- Laser Type:** Class IIIa visible laser diode
Peak Power: 5mW
Wavelength: 633nm
Beam Color: Red
Beam Size: Approx. 0.5" at 50'
Battery Type: (2) CR2032 or DL2032 lithium cells
Battery Life: Over 4 hours; 5 year shelf life



This product complies with 21 CFR 1040.10
Manufactured by Crimson Trace Corporation

WARRANTY

CRIMSON TRACE CORPORATION (CTC) warrants that this product will be free from defects in materials and workmanship for a period of three years from date of original retail purchase. CTC will repair or replace, at its option, any product or part which is found to be defective under normal use and service, without charge during the warranty period. CTC's obligation to repair or replace, shall be the purchaser's sole and exclusive remedy under this warranty. This warranty does not cover normal maintenance and service and does not apply to any products or parts which have been subject to modification, misuse, carelessness, accident, improper maintenance or repair other than by CTC. Warranty does not cover batteries or problems arising from faulty batteries.

This limited warranty is in lieu of any and all other warranties, either expressed or implied, including but not limited to, merchantability and fitness for particular purpose. CTC shall not be liable for indirect, incidental, consequential or special damages arising out of, or in connection with, product use and performance, even if it has been informed of the possibility of such damages.

For warranty service, carefully package the unit along with dated proof of purchase and an explanation of the problem, and mail it to:

Crimson Trace Corporation, Attn: Customer Service
8089 SW Cirrus Drive, Beaverton, OR 97008
Phone: (800) 442-2406

Crimson  ***Trace***

8089 SW Cirrus Drive, Beaverton, OR 97008

Phone: (800) 442-2406 or (503) 627-9992

Fax: (503) 627-0166

Customer Service E-mail: customer@crimsontrace.com

Website: www.crimsontrace.com

US PATENT 5,435,091, 5,179,235 and 5,706,600; Other patents pending