

# OWNER'S MANUAL



**COMPACT OFF-DUTY POLICE**

## **CONGRATULATIONS**

You are the owner of a COP (Compact Off-Duty Police) handgun, the finest firearm in its class. Your COP was manufactured from the highest quality, rust resistant stainless steels obtainable. At each stage of the manufacturing process, exacting quality control procedures were applied according to rigid aircraft standards to insure that each COP conforms precisely to specifications. Before leaving the factory, your COP handgun was given a thorough final inspection and was test fired to make certain that it will give you years of reliable, trouble-free service.

Your COP handgun has been manufactured entirely in the United States from American produced raw materials.

*NOTE: COP INC. CANNOT BE RESPONSIBLE FOR THE HANDLING OF THIS FIREARM AFTER IT PASSES FROM ITS CONTROL. THEREFORE, EXAMINE YOUR COP HANDGUN CAREFULLY TO BE SURE IT IS UNLOADED, UNDAMAGED AND IN FACTORY NEW CONDITION AT THE TIME OF PURCHASE.*

## **COP WARRANTY**

*The COP is warranted to the original registered owner for a period of one year from the date of purchase against defects in material, workmanship, and mechanical functioning. This warranty does not apply to abnormal wear or damage resulting from neglect, abuse, customizing or repairs not made by the factory.*

*Under the terms of this warranty, the factory will repair or replace the gun or any part thereof without charge provided that the defective gun or parts are returned prepaid to the factory. The factory reserves the right at its sole discretion to determine whether the COP or any of its components are defective due to faulty material or improper workmanship.*

**NOTE: THIS WARRANTY IS VOID IF OTHER THAN STANDARD BRAND FACTORY LOADED AMMUNITION IS FIRED IN THIS PRODUCT.**

## **STATEMENT OF LIABILITY**

COP Inc. surrenders this handgun with the explicit understanding that no liability whatsoever is assumed for its resale, safe handling, nor compliance with existing laws and regulations by future recipients. COP Inc. assumes no responsibility for physical injury or property damage resulting from either intentional or accidental discharge of this firearm, nor for the function of this handgun when subjected to influences beyond its control. No claims will be honored which result from careless, reckless or negligent handling; unauthorized adjustments, the use of defective or improper ammunition, reloaded ammunition, improper useage, corrosion or neglect. This statement of liability supersedes all previous warranties and commitments either stated or implied.

## **SAFE HANDLING**

Your COP handgun is classified as a FIREARM and a DANGEROUS WEAPON. For your protection and to insure the safety of others, always use extreme caution in handling this firearm. Never rely on memory to determine if your COP is loaded or unloaded, nor look down the barrels.

The barrel hinge on your COP handgun is made to last indefinitely. You will not wear it out by opening and tilting the barrels to see if it is loaded. Your first action upon picking up your COP handgun, or before handing it to anyone, must be to open and tilt the barrels to determine that it is unloaded.

## SPECIFICATIONS

Caliber .....	.38 special & .357 Magnum (.22 Long Rifle)	Width .....	1.062 inches
Number of Shots .....	4	Height .....	4.1 inches
Construction .....	All Stainless Steel	Weight empty .....	28 oz.
Length .....	5.5 inches	Finish .....	Semi-matte
		Type of Action .....	Double

## COP FEATURES

The COP was specifically designed as a police off-duty or back-up handgun. It combines the flatness of the automatic with the instant readiness of the revolver. Many special features not available in any other handgun are built into the COP to make it a highly specialized personal defense weapon.

- **Reliability** Since loading, extracting and ejecting are not involved in the operating cycle of the COP, the chance of a malfunction caused by a failure of components responsible for these operations is non-existent.
- **Firepower** The COP will fire either the .357 Magnum or .38 Special cartridges. The ability to handle these two calibers makes the COP com-

patible with 90% of the service firearms in use in the United States today.

- **Size** The compactness of the COP makes it the world's most powerful handgun for its size and weight.
- **Ruggedness** Unlike automatic pistols and revolvers, the mechanism of your COP handgun is entirely encased in a rugged stainless steel housing. It is, therefore, not subject to failure due to accumulated dirt or from hard knocks.
- **Safety** Your COP handgun can only be fired by a deliberate long pull on the trigger, thereby, making an external safety unnecessary. When loaded, the COP is always ready for use.

## **HOW TO LOAD**

The rear sight serves to lock the barrels in position. To unlock the barrels, push the serrated sight protection ears rearward, as shown in figure 1. The barrels may now be tilted up in the rear to the loading position as shown in figure 2. Before loading, look through the barrels to make sure there are no obstructions. After determining that the bore and chambers are dry and free from oil or grease, load each chamber with factory loaded ammunition as shown in figure 3. After loading, close the handgun

by pushing down on the top of the barrels; the sight will automatically lock the barrels in place.

## **CAUTION**

DURING THE LOADING SEQUENCE, ALWAYS POINT THE BARRELS IN A SAFE DIRECTION AND AWAY FROM INDIVIDUALS. DO NOT PLACE YOUR FINGER ON THE TRIGGER DURING LOADING AND UNLOADING OPERATIONS. NEVER PUT YOUR HAND IN FRONT OF THE BARRELS.



**Fig. 1**



**Fig. 2**



**Fig. 3**

## **FIRING**

The COP is ready for instant firing by merely pulling the trigger. This double action feature eliminates the need for a manual safety. One shot is fired for each pull of the trigger; four shots can be fired as fast as the trigger can be pulled four times.

## **CAUTION**

A TWO-HAND GRIP ON THE COP IS POSITIVELY NOT RECOMMENDED AS IT PLACES THE FORWARD HAND DANGEROUSLY CLOSE TO THE MUZZLE. THE DANGER OF INJURY FROM THE BULLET OR MUZZLE BLAST WITH A TWO-HAND HOLD MUST BE AVOIDED BY USING A CONVENTIONAL SINGLE-HAND GRIP. NEVER POINT THE COP AT ANYTHING YOU DO NOT WANT TO SHOOT.

## **HOW TO UNLOAD**

Never assume that all four cartridges are fired. MAKE SURE THE COP IS POINTED IN A SAFE DIRECTION BEFORE YOU START TO UNLOAD.

Push the serrated rear sight ears rearward and open the barrels following the same procedure shown in figures 1 and 2.

DO NOT PLACE YOUR HAND OR ANY PART OF YOUR BODY IN FRONT OF THE BARRELS DURING THIS PROCEDURE.

With the barrels tilted open, the extractor will lift the head of the cartridges about  $\frac{1}{8}$  inch (see figure 3). They can be lifted manually out of the barrels in this position. Unfired cartridges may be removed by simply turning the breech downward permitting the cartridges to fall into your hand. If a fired cartridge case sticks and is difficult to extract, a pencil or wooden rod may be used to force the case out. Keeping the chambers clean at all times will eliminate this condition.



**Fig. 4**

## CLEANING

Cleaning and maintaining the COP handgun is relatively simple because of its stainless steel construction and the permanent coating of Molykote lubricant. However, as with any fine piece of equipment, certain basic cleaning procedures should be employed regularly to keep your COP in good operating condition. The following steps should be taken to remove dirt, powder residues, and possible brass shavings or metal fouling from the barrels and extractor after firing.

1. Clean the bores and chambers in a conventional manner with cleaning patches and a wire brush. Bores should always be cleaned from the breech toward the muzzle.

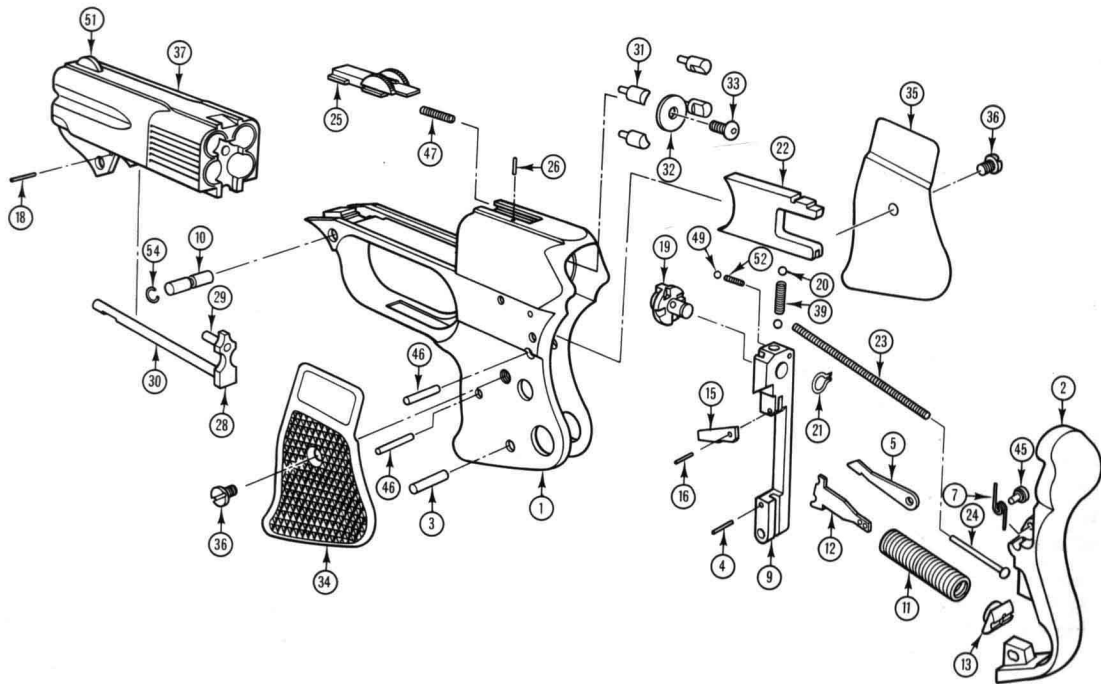
## NOTE

OILING THE BORES AND CHAMBERS OF THE BARRELS IS NOT RECOMMENDED

2. Remove muzzle residue with an oily rag; follow with a dry cloth to remove residual oil.
3. Inspect and clean the area underneath the extractor with a brush and a clean rag to remove dirt, powder residue and possible metal shavings.

## COP PARTS LIST

- |                                   |  |
|-----------------------------------|--|
| 1. Frame                          | 26. Latch Stop Pin                       |
| 2. Backstrap                      | 28. Extractor                            |
| 3. Mounting Pin                   | 29. Extractor Guide                      |
| 4. Hammer Strut<br>Bearing Pin    | 30. Extractor Push Rod                   |
| 5. Hand                           | 31. Firing Pin (4)                       |
| 7. Hand Spring                    | 32. Firing Pin Retaining<br>Washer       |
| 8. Hand Spring<br>Retainer        | 33. Firing Pin Retaining<br>Washer Screw |
| 9. Hammer                         | 34. Left Grip                            |
| 10. Barrel Pin                    | 35. Right Grip                           |
| 11. Hammer Spring                 | 36. Grip Screw                           |
| 12. Strut                         | 37. Barrel                               |
| 13. Bearing                       | 39. Ratchet Plunger<br>Spring            |
| 14. Barrel Pivot<br>Retaining Pin | 40 thru 44. Assembly                     |
| 15. Sear                          | 45. Hand Pivot Pin                       |
| 16. Sear Pin                      | 46. Hammer Pivot &<br>Mtg. Pin (2)       |
| 18. Extractor Stop Pin            | 47. Latch Spring                         |
| 19. Ratchet                       | 48. Assembly                             |
| 20. Ratchet Plunger (2)           | 49. Ratchet Retainer Ball                |
| 21. Ratchet Retaining<br>Ring     | 50. Assembly                             |
| 22. Trigger                       | 51. Front Sight                          |
| 23. Trigger Spring                | 52. Ratchet Ball Spring                  |
| 24. Trigger Spring<br>Guide Rod   | 53. Slave Pin                            |
| 25. Latch                         | 54. Pivot Pin<br>Retaining Ring          |





## FACTORY SERVICE

Questions regarding the performance or servicing of your COP handgun should be addressed to:

COP Inc.  
Product Service Division  
3040 West Lomita  
Torrance, California 90505

Be sure to provide the serial number of your COP and a complete description of the conditions and problems involved.

If you wish to return your COP for repair, please follow these instructions:

1. Be absolutely certain that the COP handgun is unloaded prior to mailing. Do not mail loaded cartridges under any circumstances. If you are sending fired cases, they must be wrapped separately; not left in the chambers of the gun.
2. Pack your COP carefully with plenty of cushioning material into a sturdy cardboard box. Do not ship your COP in a holster or special container which you wish returned.
3. Clearly mark your complete return address on the outside of the package and place a piece of

paper with your address within the package as well.

4. Affix a complete letter of information to the outside of the package. The letter should describe the contents; including serial number; description of the damage or problem, and the conditions under which they occurred; what you wish corrected or changed, and any new parts desired.
5. If not covered by warranty, COP Inc. will supply an estimate and advise you of the cost. Repairs will be made upon receipt of your check or money order.
6. Ship your COP via insured Parcel Post or U.P.S. Shipment must be PREPAID and addressed to COP Inc., 3040 W. Lomita Blvd., Torrance, California 90505, Attention: Service Dept. 10.

The factory will repair or replace the gun or any part thereof without charge under the terms of the warranty, provided that it is returned postage prepaid to the factory. The factory reserves the right to determine at its sole discretion whether the COP or any of its components are defective due to faulty material or improper workmanship.



3040 W. Lomita Blvd. • Torrance, California 90505