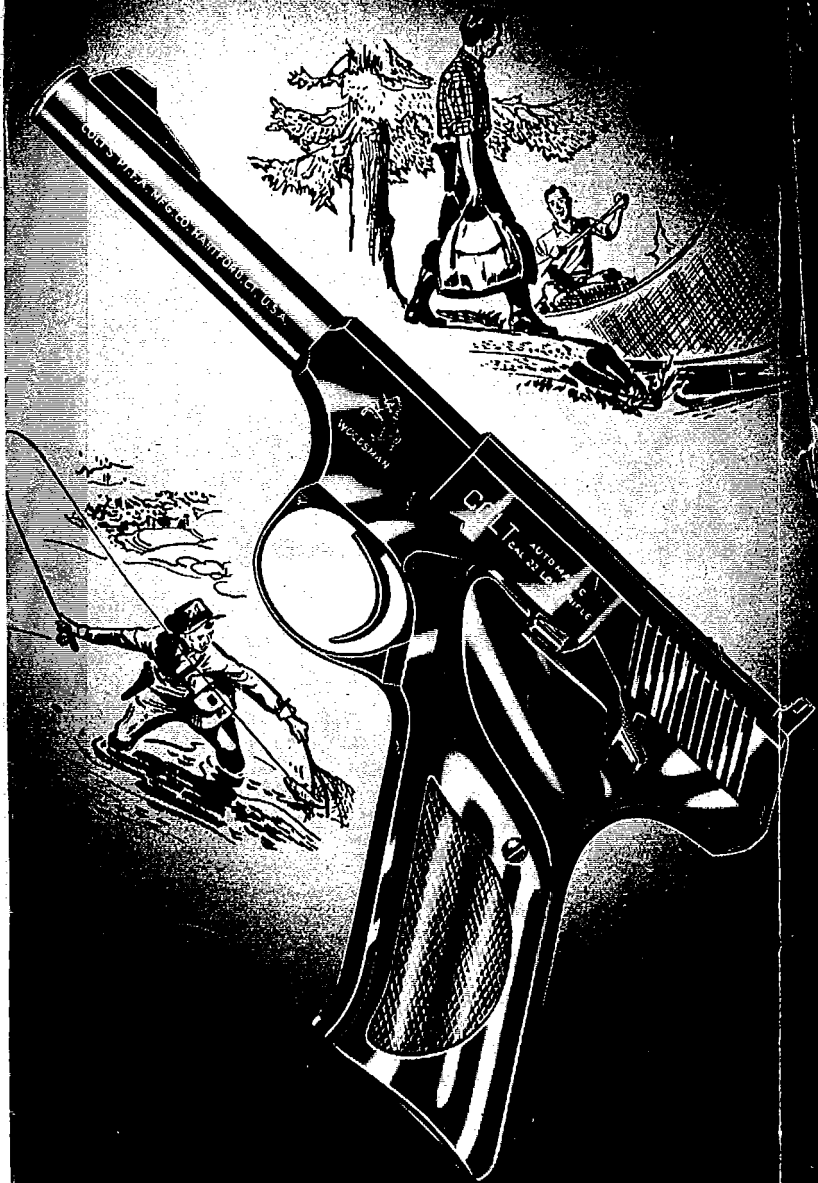


# COLT'S *Woodsmen* AUTOMATIC PISTOL

TARGET MODEL  
SPORT MODEL



INSTRUCTIONS FOR  
ASSEMBLY—DISASSEMBLY  
CLEANING

# INSTRUCTIONS

## ASSEMBLY - DISASSEMBLY - CLEANING TARGET AND SPORTS MODELS

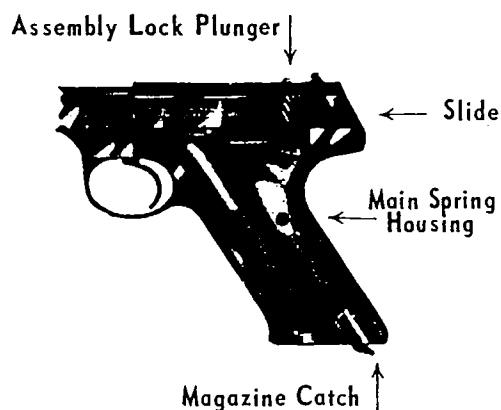
### DESCRIPTION OF THE PISTOL

**ACTION.** The action of this pistol is automatic only in the sense that after firing the spent case is extracted from the chamber, and a fresh cartridge is stripped from the magazine and fed into the chamber. The trigger must be pulled to fire each shot. A disconnecting mechanism prevents full-automatic action (like a machine gun) and also prevents firing if the slide is not completely closed.

**SAFETY LOCK.** The safety lock, when pushed up, locks the slide from moving back and locks the sear in position so that the hammer cannot fall if the trigger is pulled or the pistol is accidentally jarred. This positively prevents the arm from being fired until the safety lock is depressed into the unlocked position.

**SLIDE STOP.** On the left side of the gun, above the stock, is the slide stop. This lever automatically holds the slide open after the last round has been fired. This gives warning that the last cartridge has been expended and simplifies withdrawal of the empty magazine and replacing of the loaded magazine.

**LOADING THE PISTOL.** To load the pistol, pull back the slide with the empty magazine in the gun. The slide stop will hold the slide in the "open" position. Remove empty magazine by pressing the magazine catch on the butt to the rear. Load the magazine; correct procedure is as follows: Depress the magazine follower stud just far enough to allow insertion of one cartridge. Repeat this procedure, loading the desired number of cartridges (up to the maximum capacity of 10) *one at a time. DO NOT retract stud to full-load position and load all 10 cartridges at a time, as this may prevent correct feeding.* Insert the loaded magazine, making sure that it is all the way in, and close the magazine catch. Depress the slide stop and the slide will close, stripping a cartridge from the magazine and feeding it into the chamber. The pistol is now ready to fire. **EXERCISE CAUTION!**



**MAGAZINE.** The magazine has an easily operated thumb-piece which greatly facilitates loading. The magazine is held in the receiver by a magazine catch at the base of the main spring housing. To release the magazine, press the thumb catch to the rear.

**COLT'S BLUE FINISH.** The beautiful, overall blue finish is another Colt exclusive. Not only does this finish add greatly to the gun's appearance, but it also serves to protect the metal beneath the blue. An easy wipe with a soft cloth removes fingermarks, dust and oil stains.

### FIRING THE PISTOL

1. Squeeze trigger.
2. Trigger pulls trigger bar forward.
3. Trigger bar moves sear out of notch in hammer.
4. Hammer is actuated by main spring through hammer strut.
5. Hammer strikes firing pin.
6. Firing pin moves forward, indents primer and fires cartridge.
7. Cartridge explosion drives bullet forward, blowback opens slide.
8. Slide moves backward, forcing trigger bar down and disconnecting it from the sear, and carries the empty case back until it hits the ejector and is knocked out from under the extractor. Further backward motion recocks the hammer.
9. Slide strikes main spring housing and stops.
10. Slide moves forward under pressure of the recoil spring, strips a cartridge from the magazine and feeds it into the chamber.
11. When the finger is relaxed from the trigger, the trigger spring moves the trigger forward, and the trigger bar moves up to engage the sear.
12. The pistol is ready to fire a second shot.

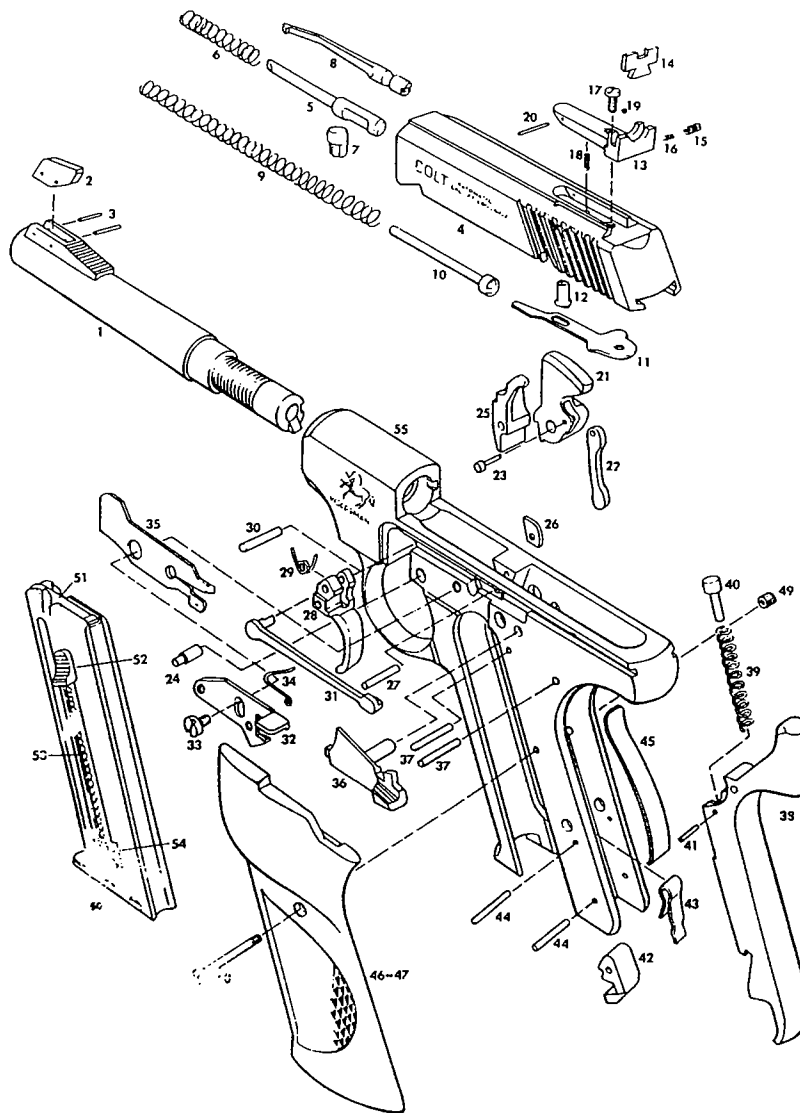
### DISASSEMBLY FOR CLEANING

*Make sure the magazine and chamber are empty!*

Remove stocks. Press in on upper radius of main spring housing and push out the housing retainer pin, using the stock screw or a drift pin. Housing retainer pin is located on the grip part of the receiver under the left stock and directly below the thumb piece of the safety lock.

Hold the pistol by the barrel in the left hand. Grasp the serrated part of the slide with the thumb and middle finger of the right hand. Pull slide back as far as it will go. With the slide back, press down the assembly lock plunger with the forefinger. Let slide move forward. Pressure of the recoil spring will be released, and the slide will feel "free." Pull the trigger to release hammer. Retract slide about  $\frac{1}{8}$ " to allow sear to drop into half-cock notch. Then press upward and inward on the deep, uppermost curve of the main spring housing with the thumb of the right hand.

# COMPONENT PARTS OF COLT WOODSMAN AUTOMATIC PISTOLS



Main spring housing will snap out at the bottom and can be removed along with the sear spring. Remove slide and magazine. The pistol is now ready for cleaning.

**CLEANING THE PISTOL.** A brass rod cleaner with revolving handle and detachable brass wire brush, a hardwood rod with shouldered tip, pieces of flannel cut to a size that will fit the bore snugly, and some good cleaning solution (several good preparations are now sold) will complete an outfit with which your pistol can be kept in perfect condition. Dip the wire brush in the cleaning solution and scrub the bore well; then wipe out with patches on the end of the wood rod until patches come out clean. Then give the bore and all parts a good coating of oil.

For best results, always keep the magazine interior clear of wax, dust, tobacco crumbs etc. Never leave the pistol in any leather holster for any length of time. Leather absorbs moisture, which will cause the pistol to rust.

*Be very careful in all cleaning not to injure the rifling at the MUZZLE of the pistol. Never reverse direction of a wire brush in the middle of the bore. Always pass it completely through the bore until it emerges from the muzzle end before reversing.*

**RE-ASSEMBLY AFTER CLEANING.** Place slide on receiver and push forward to closed position. Place sear spring in position with lug in slot and top of spring resting on the sear and under the hammer strut. BE SURE sear spring is seated in slot before housing is placed in position; failure to do this will result in a bent sear spring with a loss of tensile strength. Pull trigger to make sure hammer is fully forward. Insert main spring housing into receiver and snap into place. Insert main spring housing retainer pin and replace stocks.

**NOTE:** If care is not exercised in cleaning the slide, the recoil spring guide is sometimes detached from the end of the assembly lock. This allows the recoil spring to extend and prevents correct re-assembling. If detached, replace by compressing the recoil spring and guide with a small screw driver and replacing the guide onto the end of the assembly lock.

## WHEN ORDERING PARTS, SPECIFY: Model, Caliber, Serial Nos. and Name of Part

Drawing Number	Description	Part Number	Drawing Number	Description	Part Number
1	Barrel—6" (Target Model)	50093	27	Ejector Pin (1)	50032
1	Barrel—4½" (Sport Model)	50002	28	Trigger	51479
2	Front Sight—⅛" Blade (Target Model)	51370	29	Trigger Spring	51222
2	Front Sight—⅛" Blade (Sport Model)	51366	30	Trigger Pin	50017
3	Front Sight Blade Pins (2)	50060	31	Trigger Bar	50050
4	Slide	51490	32	Slide Stop	51674
5	Firing Pin	50022	33	Side Plate Screw	50107
6	Firing Pin Spring	50023	34	Slide Stop Spring	50109
7	Firing Pin Stop	50024	35	Side Plate	50045
8	Extractor	50021	36	Safety Lock	50038
9	Recoil Spring	50025	37	Sear and Upper Housing Lock Pin (2)	50015
10	Recoil Spring Guide	50026	38	Main Spring Housing	51482
11	Assembly Lock	50019	39	Main Spring	50010
12	Assembly Lock Plunger	51249	40	Main Spring Cap	50011
13	Rear Sight Leaf	51454	41	Main Spring Cap Pin	50012
14	Rear Sight Blade	51648	42	Magazine Catch	51480
15	Windage Screw	51192	43	Magazine Catch Spring	51481
16	Windage Spring	51193	44	Magazine Catch and Bottom Housing Lock Pin (2)	50015
17	Elevation Screw	51191	45	Sear Spring	50044
18	Elevation Spring	51194	46	Stock, Left Hand, Plastic—with Thumb Rest Sold only in pairs	50695
19	Detent Ball	51195	47	Stock, Right Hand, Plastic	51559
20	Sight Leaf Pin	51317	48	Stock Screw	50088
21	Hammer	50035	49	Stock Screw Nut	50089
22	Hammer Strut	50036	50	Magazine Assembly—10 Shot	51463
23	Hammer Strut Pin	50729	51	Magazine Follower	51467
24	Slide Stop Pin	51601	52	Magazine Follower Stud	51468
25	Sear	50042	53	Magazine Spring	50064
26	Ejector	51549	54	Magazine Spring Guide	50115
			55	Receiver (Main Frame)	Not for Sale

## DESCRIPTION AND COMPONENT PARTS OF THE COLT ACCRO REAR SIGHT

The Colt Accro Rear Sight is another example of Colt precision engineering and production. Each part of the Sight is carefully machined to extremely close tolerances to assure maximum accuracy. It is recommended that adjustments for other than windage and elevation be made only by experienced persons.

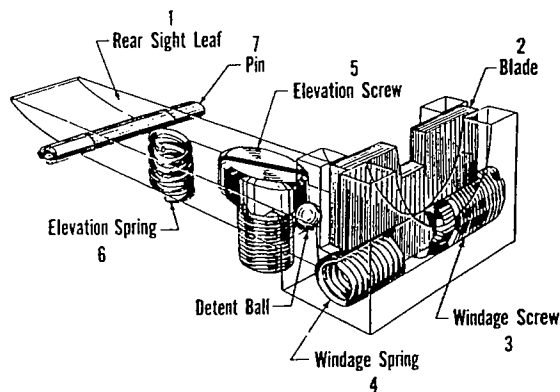
**TO ADJUST SIGHT**, turn windage screw clockwise and sight moves to left; counter-clockwise and it moves to right. Turn elevation screw clockwise to lower sight; counter-clockwise to raise it. Point of bullet impact will move in the same direction.

**TO REMOVE SIGHT** from slide remove elevation screw, then, with ⅛ drift pin, drive out the fulcrum pin. Guard against losing elevation spring.

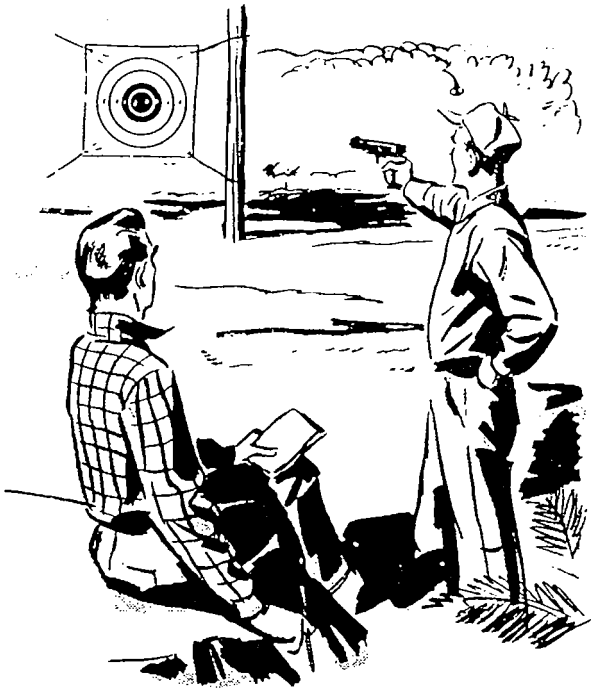
**TO REMOVE BLADE** (either before or after the above), remove windage screw; with finger nail or piece of wood against sighting notch, force blade to extreme left and lift out right hand end first; windage spring can then be removed from windage screw hole.

**TO ASSEMBLE BLADE** insert windage spring in windage screw hole and with short piece of wire or similar tool compress spring solid. Then, insert blade with left hand point of dovetail down to engage spring; force blade to left and push right hand end down and release. Note that right hand end of dovetail has knife-edge to engage windage screw detent notches. Assemble windage screw.

**TO REPLACE SIGHT** insert elevation spring in its hole, place sight in recess of slide and drive in fulcrum pin. Assemble elevation screw.



Drawing Number	Description	Part Number
1	Rear Sight Leaf	51454
2	Rear Sight ⅛" Blade	51189
3	Windage Screw	51192
4	Windage Spring	51193
5	Elevation Screw	51191
6	Elevation Spring	51194
7	Sight Leaf Pin	51317



## YOUR COLT'S GUARANTEE

All Colt's Revolvers and Automatic Pistols are built to exacting standards of engineering, manufacturing, and inspection, and are warranted to be free from defects in material and workmanship under normal use and service for a period of 12 months. Colt's obligation is limited to repairing or replacing, F.O.B. Hartford, Conn., U.S.A., any part of a Colt's Revolver or Automatic Pistol which Colt's examination discloses to be thus defective.

This warranty is in lieu of all other warranties, expressed or implied. This warranty shall not apply to defects resulting from accidents, alterations, abuse, or misuse. This warranty shall be void if the Colt's Revolver or Automatic Pistol has been altered or repaired outside our factory, or if any part not of Colt's manufacture has been incorporated in the weapon, or if other than factory loaded ammunition is used.



**Colt Industries**  
**Colt's**  
**Small Arms Division**  
150 Huyshope Avenue  
Hartford, Conn., U.S.A. 06102