

FIVE BASIC SAFETY RULES

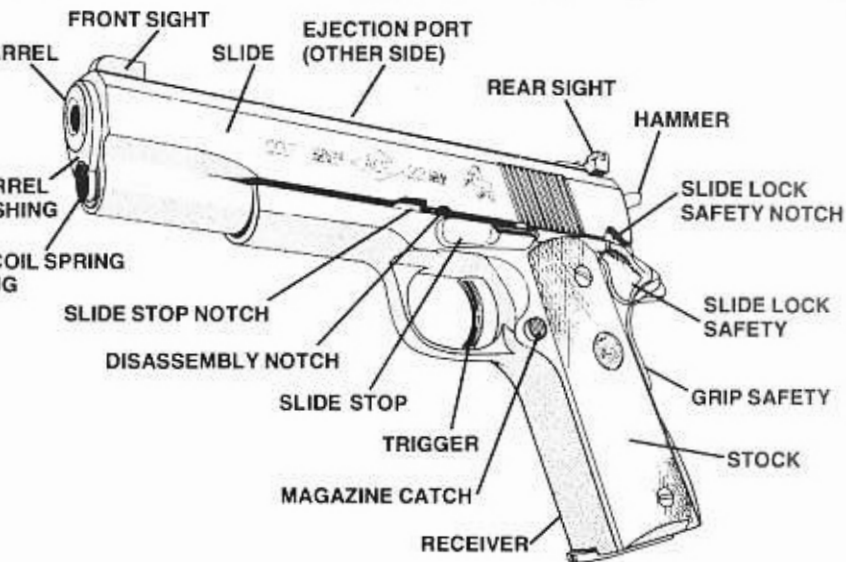
1. ALWAYS POINT A GUN IN A SAFE DIRECTION.
2. KEEP SAFETY ENGAGED UNTIL READY TO FIRE.
3. UNLOAD IMMEDIATELY AFTER USE.
4. ALWAYS ENSURE A GUN IS NOT LOADED BEFORE CLEANING OR DISMANTLING.
5. PRACTICE HANDLING AN EMPTY GUN BEFORE ATTEMPTING TO FIRE.




COLT[®] SERVICE MODEL [®] AUTOMATIC PISTOL

© 1978 Colt Industries Operating Corp

This instruction manual should always accompany this firearm and be transferred with it upon change of ownership.



CAUTION: USE ONLY ORIGINAL HIGH QUALITY COMMERCIALY MANUFACTURED AMMUNITION IN GOOD CONDITION WHICH IS APPROPRIATE TO THE CALIBER OF YOUR PISTOL—SEE TABLE BELOW.

PISTOL TYPE
Colt® Service Model 
(22 Long Rifle)

SUITABLE AMMUNITION
22 Long Rifle, Rimfire

SECTION 1

PRECAUTIONS

READ AND UNDERSTAND ALL THE FOLLOWING PRECAUTIONS BEFORE REMOVING THIS FIREARM FROM ITS PACKAGE.

THIS COLT PRODUCT IS CLASSIFIED BY THE ALCOHOL, TOBACCO AND FIREARMS DIVISION OF THE INTERNAL REVENUE SERVICE, U.S. TREASURY DEPARTMENT, AS A FIREARM OR DANGEROUS WEAPON; IT IS, THEREFORE, POTENTIALLY LETHAL!

WARNING IF THIS FIREARM IS CARELESSLY OR IMPROPERLY HANDLED, UNINTENTIONAL DISCHARGE COULD RESULT AND COULD CAUSE INJURY, DEATH, OR DAMAGE TO PROPERTY.

CAUTION CAREFULLY READ THIS INSTRUCTION MANUAL WHICH GIVES BASIC ADVICE ON THE PROPER HANDLING AND FUNCTIONING OF THIS COLT FIREARM PRIOR TO LOADING AND FIRING. HOWEVER, YOUR SAFETY AND THE SAFETY OF OTHERS (INCLUDING YOUR FAMILY) DEPENDS ON YOUR MATURE COMPLIANCE WITH THAT ADVICE, AND YOUR ADOPTION, DEVELOPMENT AND CONSTANT EMPLOYMENT OF SAFE PRACTICES. IF UNFAMILIAR WITH FIREARMS, SEEK FURTHER ADVICE THROUGH SAFE HANDLING COURSES RUN BY YOUR LOCAL GUN CLUBS, NRA APPROVED INSTRUCTOR, OR SIMILAR QUALIFIED ORGANIZATIONS.

NOTICE

Colt shall not be responsible for injury, death, or damage to property resulting from either intentional or accidental discharge of this firearm, or from its function when used for purposes or subjected to treatment for which it was not designed. Colt will not honor claims involving this firearm which result from careless or improper handling, unauthorized adjustment or parts replacement, corrosion, neglect, or the use of wrong caliber ammunition, or the use of ammunition other than original high quality commercially manufactured ammunition in good condition, or any combination thereof. Colt will not honor claims involving this firearm for any reason or cause when such claims are made by the second or subsequent owner.

IMPORTANT

Before it left the factory this firearm was tested, carefully inspected, and packaged. Colt cannot control product handling after it leaves the factory; therefore, please examine this firearm carefully at the time of purchase to insure that it is unloaded and undamaged. The dealer will be pleased to assist you in making this examination and endeavor to answer your further questions.

LIST OF SECTIONS

SECTION

TITLE

- | | |
|---|---|
| 1 | PRECAUTIONS |
| 2 | Main Features |
| 3 | Safety Instructions
Features:
Slide Lock Safety
Grip Safety
Half-Cock Notch in Hammer
Automatic Disconnecter
Inertia Firing Pin |
| 4 | Function:
Loading
Unloading
Firing |
| 5 | Maintenance:
Stripping for Cleaning
When to Clean
How to Clean
Cleaning the Magazine
Storage
Servicing and Repair |
| 6 | Parts Illustration and List |
| 7 | The Custom Gun |

SECTION 2

MAIN FEATURES

The Colt Service Model ACE is a semi-automatic pistol which has been designed for economical shooting practice by using 22 Long Rifle (LR) ammunition (about one seventh the cost of 45 caliber ammunition) while simulating the size, shape, balance and feel of the Colt Government Model 45 caliber pistol. The floating chamber allows the ACE to simulate the recoil of a "45" and at the same time assures positive semi-automatic action from the lower impulse of the 22 LR ammunition.

Pistol Type	Barrel Length	Finish	Magazine Capacity	Sights
Colt Service Model ACE 22 Long Rifle Automatic Pistol	5 in.	Colt Blue	1 to 10 rounds 22 Long Rifle	Colt ACCRO® rear sight. Ramp style front sight. Sight radius 6¾ in.

SECTION 3

SAFETY INSTRUCTIONS

We want you to enjoy shooting your Colt pistol, but we want you to enjoy it safely. You may be an experienced safe shooter already familiar with the procedures in this instruction manual, or you may never have handled a gun before. Either way we urge you to READ THIS ENTIRE INSTRUCTION MANUAL CAREFULLY. It is essential to follow the safety instructions for your safety and the safety of others.

WARNING: WHEN A ROUND IS IN THE CHAMBER, THIS PISTOL MAY DISCHARGE ACCIDENTALLY IF IT IS DROPPED OR RECEIVES A BLOW TO THE MUZZLE OR FRONT OF THE GUN. (THIS CAN OCCUR REGARDLESS OF THE POSITION OF THE HAMMER OR ANY OF THE VARIOUS SAFETY DEVICES). THEREFORE, EXTRA CARE AND STRICT ADHERENCE TO THESE INSTRUCTIONS BY THE GUN USER IS MANDATORY FOR MINIMIZING THE RISK OF ACCIDENTS.

CAUTIONS:

1. ALWAYS HANDLE YOUR PISTOL AS IF IT WERE LOADED SO THAT YOU NEVER FIRE IT ACCIDENTALLY WHEN YOU THINK IT IS UNLOADED.

2. NEVER POINT YOUR PISTOL AT ANYTHING YOU DO NOT INTEND TO SHOOT SO THAT IF IT FIRES ACCIDENTALLY, INJURY, DEATH, OR DAMAGE TO PROPERTY WILL BE PREVENTED.

3. NEVER TAKE ANYONE'S WORD THAT A GUN IS UNLOADED; CHECK FOR YOURSELF WITH FINGERS OFF THE TRIGGER AND GUN POINTED IN A SAFE DIRECTION, SO THAT YOU NEVER FIRE THE GUN ACCIDENTALLY WHEN YOU THINK IT IS UNLOADED.

4. ALWAYS BE SURE BARREL AND ACTION ARE CLEAR OF OBSTRUCTIONS. CLEAN A FOULED PISTOL IMMEDIATELY SO THAT IT WILL FUNCTION CORRECTLY AND SAFELY.

5. NEVER SQUEEZE THE TRIGGER OR PUT YOUR FINGER IN THE TRIGGER GUARD UNTIL YOU ARE AIMING AT A TARGET AND READY TO SHOOT. THIS WILL PREVENT YOU FIRING THE PISTOL WHEN IT IS POINTING IN AN UNSAFE DIRECTION.

6. ALWAYS KEEP HAMMER FORWARD AND CHAMBER EMPTY TO ELIMINATE RISK OF ACCIDENTAL DISCHARGE UNTIL READY TO USE.

7. ALWAYS BE ABSOLUTELY SURE OF YOUR TARGET AND THE AREA BEHIND IT BEFORE YOU SQUEEZE THE TRIGGER. A BULLET COULD TRAVEL THROUGH OR PAST YOUR TARGET UP TO ONE MILE . . . IF IN DOUBT, DON'T SHOOT.

8. NEVER SHOOT AT A HARD SURFACE SUCH AS ROCK, OR A LIQUID SURFACE SUCH AS WATER. A BULLET MAY RICOCHET AND TRAVEL IN ANY DIRECTION TO STRIKE YOU, OR AN OBJECT YOU CANNOT SEE, CAUSING INJURY, DEATH, OR DAMAGE TO PROPERTY.

9. ALWAYS BE SURE YOUR BACKSTOP IS ADEQUATE TO STOP AND CONTAIN BULLETS BEFORE BEGINNING TARGET PRACTICE SO THAT YOU DO NOT HIT ANYTHING OUTSIDE THE RANGE SHOOTING AREA.

10. ALWAYS PUT SOMEONE IN CHARGE TO MAINTAIN SAFETY CONTROL WHEN A GROUP IS FIRING ON A RANGE. OBEY HIS COMMANDS SO THAT DISCIPLINE IS MAINTAINED TO REDUCE THE LIKELIHOOD OF ACCIDENTS.

11. ALWAYS CARRY YOUR PISTOL EMPTY AND OPEN WHILE ON A RANGE UNTIL PREPARING TO FIRE. KEEP IT POINTING TOWARDS THE BACKSTOP WHEN LOADING, FIRING AND UNLOADING, TO ELIMINATE THE RISK OF INJURY, DEATH, OR DAMAGE TO PROPERTY.

12. NEVER LEAVE A LOADED PISTOL UNATTENDED. SOMEONE, ESPECIALLY A CHILD, MAY FIRE IT AND CAUSE INJURY, DEATH OR DAMAGE TO PROPERTY.

13. NEVER USE YOUR PISTOL IF IT FAILS TO FUNCTION PROPERLY, AND NEVER FORCE A JAMMED ACTION, AS A ROUND MAY EXPLODE CAUSING SERIOUS INJURY, POSSIBLE DEATH, OR SEVERE DAMAGE TO YOUR PISTOL.

14. NEVER LEAVE PISTOL COCKED READY TO FIRE AS THIS CONDITION IS EXTREMELY DANGEROUS, AND PISTOL COULD EASILY BE ACCIDENTALLY DISCHARGED, CAUSING INJURY, DEATH OR DAMAGE TO PROPERTY.

15. ALWAYS CARRY YOUR PISTOL EMPTY, WITH THE HAMMER FORWARD EXCEPT WHEN YOU INTEND TO SHOOT, SO THAT YOUR PISTOL CANNOT BE FIRED WHERE IT IS UNSAFE TO DO SO.

16. ALWAYS USE ONLY CLEAN, DRY, ORIGINAL HIGH QUALITY COMMERCIALY MANUFACTURED AMMUNITION IN GOOD CONDITION WHICH IS APPROPRIATE TO THE CALIBER OF YOUR PISTOL. (SEE INSIDE FRONT COVER.) GUN AND AMMUNITION MANUFACTURERS DESIGN THEIR PRODUCTS WITHIN EXACTING ENGINEERING SAFETY LIMITS, BUT HANDLOADS SOMETIME EXCEED THOSE LIMITS AND COULD BE UNSAFE.

17 FAILURE TO FIRE: ALWAYS HOLD PISTOL, KEEPING IT POINTED TOWARDS THE TARGET AND WAIT 30 SECONDS WHEN PISTOL FAILS TO FIRE. IF A HANGFIRE (slow ignition) HAS OCCURRED, ROUND WILL FIRE WITHIN 30 SECONDS. IF

ROUND DOES NOT FIRE, REMOVE MAGAZINE, EJECT ROUND AND EXAMINE RIM OF CARTRIDGE BASE. IF FIRING PIN INDENT ON RIM IS LIGHT, MISALIGNED, OR NON-EXISTENT, HAVE PISTOL EXAMINED BY A COMPETENT GUNSMITH. IF FIRING PIN INDENT ON RIM APPEARS NORMAL (in comparison with similar previously fired rounds) ASSUME FAULTY AMMUNITION; SEGREGATE MISFIRED ROUND FROM OTHER LIVE AMMUNITION AND EMPTY CASES, RELOAD AND CARRY ON FIRING.

Note: Dispose of misfired rounds in accordance with ammunition manufacturer's instructions.

18. NEVER FIRE YOUR PISTOL NEAR AN ANIMAL UNLESS IT IS TRAINED TO ACCEPT THE NOISE; AN ANIMAL'S STARTLED REACTION COULD INJURE IT OR CAUSE AN ACCIDENT.

19. NEVER WALK, CLIMB OR FOLLOW A COMPANION WITH YOUR PISTOL COCKED READY TO FIRE (IN BATTERY), OUT OF ITS HOLSTER, OR WITH THE HAMMER IN ANY POSITION OTHER THAN FORWARD ON AN EMPTY CHAMBER, TO ELIMINATE RISK OF ACCIDENTAL DISCHARGE. WHEN HUNTING, HOLD YOUR PISTOL SO THAT YOU CAN ALWAYS CONTROL THE DIRECTION OF THE MUZZLE.

20. NEVER INDULGE IN HORSEPLAY WHILE HOLDING YOUR PISTOL AS IT MAY BE ACCIDENTALLY DISCHARGED.

21. NEVER DRINK ALCOHOLIC BEVERAGES OR TAKE DRUGS BEFORE OR DURING SHOOTING, AS YOUR VISION AND JUDGMENT COULD BE SERIOUSLY IMPAIRED MAKING YOUR GUN HANDLING UNSAFE.

22. ALWAYS SEEK A DOCTOR'S ADVICE IF YOU ARE TAKING MEDICATION, TO BE SURE YOU ARE FIT TO SHOOT AND HANDLE YOUR PISTOL SAFELY.

23. ALWAYS WEAR EAR PROTECTION WHEN SHOOTING, ESPECIALLY ON A RANGE. WITHOUT EAR PROTECTION, THE NOISE FROM YOUR PISTOL, AND OTHER GUNS CLOSE TO YOU, COULD LEAVE A "RINGING" IN YOUR EARS FOR SOME TIME AFTER FIRING AND COULD LEAD TO CUMULATIVE LONG TERM PERMANENT HEARING LOSS.

24. ALWAYS WEAR PROTECTIVE SHOOTING GLASSES FOR EYE PROTECTION.

25. ALWAYS MAKE SURE YOUR PISTOL IS NOT LOADED BEFORE CLEANING, STORING, TRAVELING, AND THE ACTION (SLIDE) IS LATCHED OPEN BEFORE LAYING IT DOWN, OR HANDING IT TO ANOTHER PERSON, SO THAT IT CANNOT BE FIRED WHEN IT IS UNSAFE TO DO SO.

26. ALWAYS STORE YOUR PISTOL AND AMMUNITION IN SEPARATE LOCKED RECEPTACLES OUT OF REACH AND SIGHT OF CHILDREN, TO MINIMIZE THE RISK OF PISTOL AND AMMUNITION BEING EASILY AVAILABLE FOR LOADING AND FIRING.

27. ALWAYS INSTRUCT CHILDREN TO RESPECT FIREARMS. IF YOU TEACH YOUR CHILDREN TO SHOOT, TEACH THEM TO USE THE PISTOL PROPERLY, AND ALWAYS SUPERVISE THEM CLOSELY. ALWAYS STRESS SAFETY SO THAT YOUR CHILDREN WILL NOT FIRE THE PISTOL WHEN IT IS UNSAFE TO DO SO.

28. ALWAYS KEEP CLEAR AND KEEP OTHERS CLEAR OF THE EJECTION PORT, AS SPENT CARTRIDGES ARE EJECTED WITH ENOUGH FORCE TO CAUSE INJURY. NEVER PLACE FINGERS IN EJECTION PORT; THEY COULD BE BURNED BY HOT METAL OR INJURED BY THE SLIDE MOVING FORWARD.

Note: Please note that we have chosen to use the word "SQUEEZE" in this instruction manual instead of "PULL" or "PRESS" when trigger movement is described; this is simply to remind you of the need for a gentle squeezing action to achieve accuracy.

The Colt Service Model ACE Automatic Pistol incorporates several positive safety devices which, if properly employed, can minimize the danger of accidental firing. These safety devices are described below.

Slide Lock Safety

The Slide Lock Safety is located on the left of the pistol just below back of slide. With hammer fully cocked and "Slide Lock Safety" applied, upper part of Slide Lock Safety engages slide lock notch to prevent rearward movement of slide, while an internal cam surface engages the sear to prevent forward hammer movement when trigger is squeezed. This safety device can be applied only when slide is fully forward and hammer is in fully cocked position.

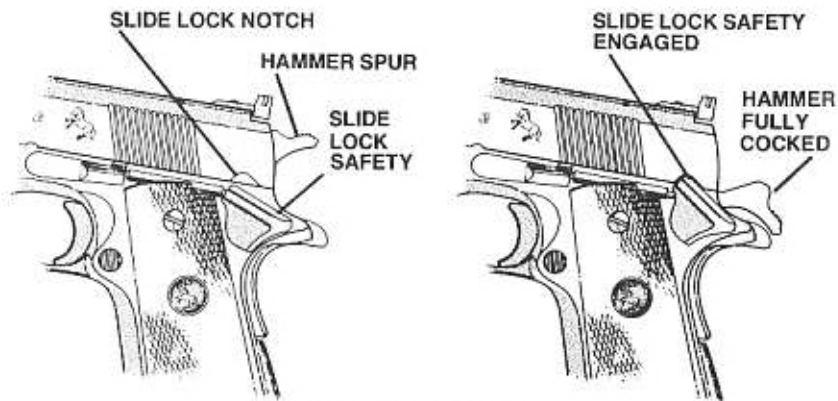


Figure 2 Lock Safety

To apply Slide Lock Safety, point pistol in safe direction, do not touch trigger, pull slide fully to rear and allow it to return sharply forward, leaving hammer in fully cocked position. Press up on Slide Lock Safety until it fully engages slide lock notch (See Figure 2).

Grip Safety

The Grip Safety is located on the upper rear part of the receiver (see Figure 1). The Grip Safety is automatically applied by spring action to prevent rearward travel of trigger unless pistol grip is firmly and properly grasped. The front of the Grip Safety (inside the pistol frame) contacts rear of trigger to prevent its rearward movement. When the pistol grip is positively grasped, the Grip Safety is rotated out of contact with rear of trigger to allow trigger movement.

Half Cock Notch in Hammer

The Half Cock Notch engages the sear to prevent the hammer from falling fully forward unintentionally. In this way it provides insurance against continuous uncontrolled automatic fire in the unlikely event of primary hammer sear notch failure. It also prevents the hammer from striking the firing pin should your hand slip from the slide while cocking the pistol, provided the hammer is rotated past the Half Cock Notch.

CAUTION: DO NOT CARRY PISTOL WITH HAMMER IN HALF COCK POSITION AS THIS IS NOT THE RECOMMENDED SAFE CARRYING METHOD.

Disconnecter

This safety device prevents a round being fired before it is in the chamber with slide and barrel locked. When slide is not fully forward the Disconnector is depressed; its lower part disengages the sear, so that hammer cannot be released if the trigger is squeezed. However, when slide and barrel are locked a spring pushes the Disconnector up into a recess in the slide; this links trigger and sear so that the pistol can be fired by squeezing the trigger.

Inertia Firing Pin

The firing pin, which is shorter than its housing, is held to the rear by a spring and cannot protrude through face of slide unless the force of a blow overcomes the spring pressure and the inertia of the pin. This will occur when the hammer falls normally or could occur by a blow on the muzzle or front of the gun. See the WARNING at the beginning of this Section.

SECTION 4

FUNCTION

The Colt Service Model ACE is ready to fire when a loaded magazine is inserted into the pistol, the slide pulled back to cock hammer, and released to travel forward and feed from the magazine into the chamber. Final forward slide movement deactivates the Disconnector safety device. When pistol stock is grasped, the Grip Safety is released so that trigger may now be squeezed. When the trigger is squeezed the sear disengages from the hammer which pivots forward

under the force of the mainspring to strike the rear of the firing pin. The firing pin is driven forward to strike primer in the rim of cartridge base. The energy imparted to the primer ignites it; the primer in turn ignites the main powder charge which, in burning, rapidly generates extremely high gas pressure to drive the bullet down the barrel. Rifling grooves in the barrel impart stabilizing spin to the bullet so that it will follow a more accurate path to the target.

Gas pressure forces the floating chamber a short distance backwards to start the slide on its rearward travel. Enough energy is imparted to the slide for its movement to depress the disconnector, the extractor to extract the spent case from the chamber, and eject the spent case when its base is struck by the ejector. Momentum carries the slide fully to the rear cocking the hammer. If the last round has been fired, the magazine follower will activate the slide stop to hold the slide to the rear, but if a round remains in the magazine, the slide will move forward to feed and lock the next round in the chamber. To fire the next round, the trigger must be released and squeezed again. Note that the floating chamber achieves the feel of the more powerful recoil which is normally expected from a larger caliber firearm.

LOADING

To Load a Magazine:

1. CAUTION: READ SAFETY INSTRUCTIONS (Section 3).
2. Use only ammunition recommended inside front cover of this instruction manual as suitable for your pistol.

magazine (appropriate to caliber) in one hand. Place a round on magazine follower with base forward of magazine retaining lips. Press down on the magazine follower stud while pushing round down and under magazine retaining lips until base of round touches rear flat edge of magazine. Place next round on top of previous round and repeat until magazine is fully loaded with ten rounds (See Figure 3).

CAUTION: TO MINIMIZE RISK OF UNINTENTIONAL DAMAGE, LOAD LIVE AMMUNITION INTO PISTOL ONLY WHEN YOU ARE ABOUT TO SHOOT.

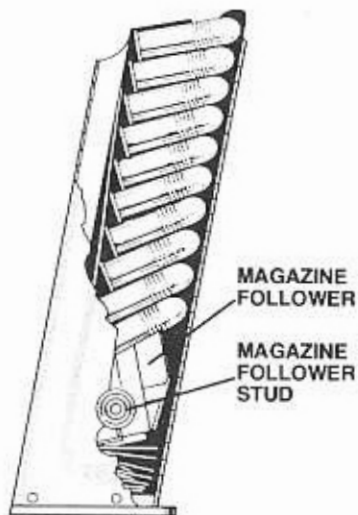


Figure 3 Loaded Magazine

1. CAUTION: READ SAFETY INSTRUCTIONS (Section 3) — KEEP PISTOL POINTING IN SAFE DIRECTION AND DO NOT TOUCH THE TRIGGER.

2. Remove empty magazine from pistol (after placing your hand under magazine to prevent it from falling) by pressing magazine catch (located on left of pistol behind trigger guard) to release and eject magazine from magazine well. (See Figure 4.)

3. Hold pistol by stock with one hand and grasp serrated finger grips on both sides of slide with other hand. Pull slide back slightly and LOOK IN CHAMBER TO ENSURE IT IS EMPTY; allow slide to return forward. (If slide was fully to rear, release cocked hammer by squeezing trigger after ensuring chamber is empty.)

4. Insert loaded magazine into magazine well with bullets pointing forward. Push magazine fully "home" until magazine catch is heard to "click" locking it in place.

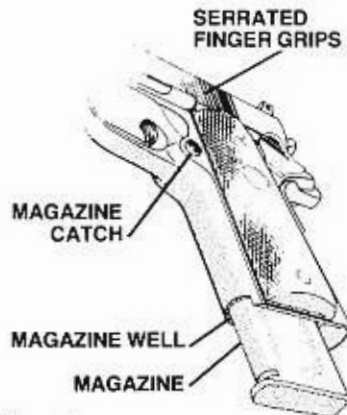


Figure 4 Inserting and Removing a Magazine

injure your hand.

Note: The safest way to carry your pistol is with an empty chamber and empty magazine. However, if you wish to carry the pistol with a loaded magazine installed, (i.e., its present condition in the loading sequence) keep the chamber empty, slide forward, and hammer down.

5. When you are ready to shoot, grip the slide as described in step 3 and pull it fully to rear to cock hammer. Release slide to feed round from magazine into chamber. THE PISTOL IS NOW LOADED AND READY TO FIRE.

6. Apply Slide Lock Safety to hold slide forward and prevent hammer falling forward if trigger is moved.

CAUTION: NEVER LEAVE PISTOL COCKED READY TO FIRE WITHOUT SLIDE LOCK SAFETY APPLIED, AS THIS IS THE FIRE CONDITION AND IS EXTREMELY DANGEROUS; PISTOL COULD EASILY BE ACCIDENTALLY DISCHARGED, CAUSING INJURY, DEATH, OR DAMAGE TO PROPERTY.

DROPPED OR RECEIVES A BLOW TO THE MUZZLE OR FRONT OF GUN. (THIS CAN OCCUR REGARDLESS OF THE POSITION OF THE HAMMER OR ANY OF THE VARIOUS SAFETY DEVICES.)

UNLOADING

CAUTION: ALWAYS UNLOAD YOUR PISTOL IMMEDIATELY AFTER USE AND PRIOR TO CLEANING AND STORAGE TO MINIMIZE THE RISK OF ACCIDENTAL DISCHARGE.

To Unload:

1. Be sure you are familiar with Safety Instructions in Section 3. KEEP PISTOL POINTING IN A SAFE DIRECTION, DO NOT TOUCH TRIGGER AND KEEP HANDS AWAY FROM MUZZLE.
 2. Place hand under magazine to prevent it falling and press magazine catch to release and eject magazine.
- Note:** If slide is fully rearward, steps 3 and 4 do not apply.
3. With thumb of right hand, press Slide Lock Safety down out of engagement with slide.

4. Using serrated finger grips pull slide sharply rearward to extract and eject a round from the chamber. (If magazine is empty after firing the slide would already be held to the rear.)

5. **CAUTION: LOOK IN THE CHAMBER TO ENSURE IT IS EMPTY AND SEE THAT MAGAZINE HAS BEEN REMOVED.**

6. Allow slide to return forward on empty chamber and squeeze trigger to allow hammer to fall forward. (If slide is held to rear by the slide stop, pull slide back slightly, then release it.)

7. Remove remaining live rounds by sliding them forward out of the magazine.

8. Collect live ammunition for safe storage and spent cartridge cases for disposal.

FIRING

Before firing your Colt Service Model ACE pistol, practice your stance, aim, rhythm and breathing for steady aim, with your pistol **UNLOADED.**

Practice firing on a range before going hunting or using your pistol for any other type of shooting.

The ACE pistol is fitted with the adjustable Colt Accro rear sight. (See Figure 5). To adjust sight, turn windage screw clockwise and sight moves to left; counterclockwise and it moves to right. Turn elevation screw clockwise to lower sight; counterclockwise to raise it. Point of bullet impact will move in the same direction. It is recommended that adjustments for other than windage and elevation be made only by experienced persons.

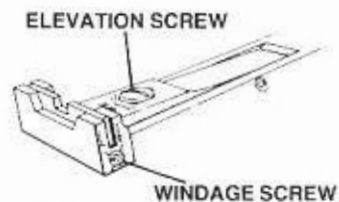


Figure 5
Colt Accro Rear Sight

CAUTIONS:

1. **WEAR EAR PROTECTION. WITHOUT EAR PROTECTION, THE NOISE FROM YOUR PISTOL, AND OTHER GUNS CLOSE TO YOU, COULD LEAVE A "RINGING" IN YOUR EARS FOR SOME TIME AFTER FIRING AND COULD LEAD TO CUMULATIVE LONG TERM PERMANENT HEARING LOSS.**

2. **WEAR PROTECTIVE SHOOTING GLASSES FOR EYE PROTECTION.**

1. Be sure you are familiar with "Safety Instructions" in Section 3. **KEEP PISTOL POINTING IN SAFE DIRECTION.**

2. Load pistol as previously described.

3. Grasp pistol by stock and, with index finger resting along the outside of trigger guard, take aim. Aim by aligning target with front and rear sights. (See Figure 6.)

4. Release Slide Lock Safety by pressing it down out of engagement with Slide Lock Notch.

5. Keeping steady aim, place index finger on trigger and squeeze gently until hammer falls. Don't jerk the trigger as you will disturb your aim and spoil your accuracy. To fire the second and subsequent rounds, all that is necessary is to release the trigger and squeeze it again after every shot until you have completed firing.

6. **THIS IS AN AUTOMATIC PISTOL AND IS IMMEDIATELY LOADED AND READY TO FIRE AGAIN AFTER EACH SHOT UNTIL MAGAZINE IS EMPTY.**

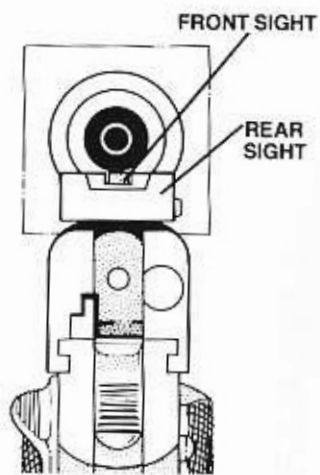


Figure 6 Aiming

7. Release trigger, remove index finger from trigger, and apply Slide Lock Safety by pushing it up into the slide lock notch. However, if you have fired the last round from magazine the slide will stay to the rear so that Slide Lock Safety cannot be applied.

CAUTION: IF PISTOL FAILS TO FIRE, HOLD IT, KEEPING IT POINTED TOWARDS THE TARGET AND WAIT 30 SECONDS. IF A HANGFIRE (slow ignition) HAS OCCURRED, ROUND WILL FIRE WITHIN 30 SECONDS. IF ROUND DOES NOT FIRE, REMOVE MAGAZINE, EJECT ROUND AND EXAMINE RIM OF CARTRIDGE BASE. IF FIRING INDENT ON RIM IS LIGHT, MISALIGNED, OR NON-EXISTENT, HAVE PISTOL EXAMINED BY A COMPETENT GUNSMITH. IF FIRING PIN INDENT ON RIM APPEARS NORMAL (in comparison with similar previously fired rounds) ASSUME FAULTY AMMUNITION; SEGREGATE MISFIRED ROUND FROM OTHER LIVE AMMUNITION AND EMPTY CASES; RELOAD AND CARRY ON FIRING.

Note: Dispose of misfired rounds in accordance with the ammunition manufacturer's instructions.

8. **CAUTION: KEEP PISTOL POINTING IN A SAFE DIRECTION. Unload as previously described.**

IMPORTANT: If you cock your pistol but do not fire it, apply slide lock safety until ready to fire. If you lose the opportunity to fire, unload your pistol as previously described.

CO, AND PISTOL COULD EVENTUALLY BE RECOILMENT
DISCHARGED CAUSING INJURY, DEATH, OR DAMAGE
TO PROPERTY.

SECTION 5

MAINTENANCE

Like any other precision mechanism your pistol will perform better, last longer and remain safer if it is properly maintained. Follow the instructions in this section to keep your pistol in good condition.

CAUTIONS:

1. ENSURE THAT MAGAZINE IS REMOVED AND THE PISTOL IS NOT LOADED BEFORE STRIPPING AND CLEANING, SO THAT IT WILL NOT FIRE.
2. WEAR SAFETY GLASSES IN CASE YOU LOSE CONTROL OF SOME SPRING LOADED COMPONENT WHICH COULD INJURE YOUR EYES.

Note: Force is unnecessary and should never be used to strip or assemble your pistol.

STRIPPING FOR CLEANING

1. Be sure you are familiar with the Safety Instructions in Section 3.
2. With muzzle pointing upwards, rest pistol on heel of butt and "grip safety" on a table or bench.

same time rotate barrel bushing clockwise about $\frac{1}{4}$ turn; this will free plug and recoil spring. Keep pressure on plug to prevent it from being ejected by the spring, then allow plug and spring to gradually extend out of the slide (See Figure 7).

4. Rotate plug counterclockwise and remove from spring.
5. Cock hammer by pulling back on hammer spur.
6. Pull slide to rear until lug on slide stop is opposite slide clearance notch (See Figure 8) and push rounded end of slide stop pin (on right of receiver) inward to disengage slide stop from slide.
7. Lift out slide stop (See Figure 8).
8. Pull receiver to the rear and off the slide.

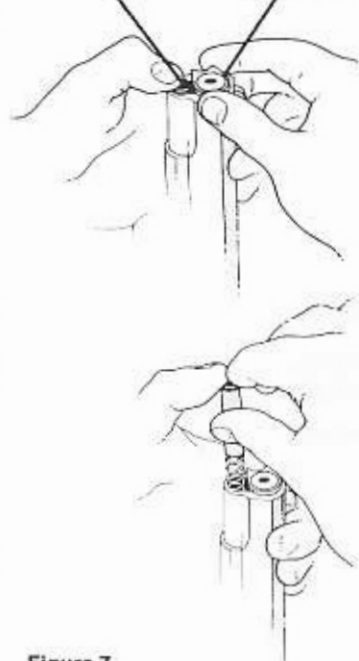


Figure 7
Releasing Recoil Spring Tension

pull them rearward out of slide (See Figure 9).

10. Turn barrel bushing counter-clockwise and remove from slide.

11. Pull barrel forward until ejector is clear of retaining groove and lift out ejector (See Figure 10).

12. Carefully align floating chamber with barrel lug and remove barrel and chamber assembly from the front of slide (See Figure 9).

13. Rotate floating chamber out of alignment with barrel lug and remove chamber from barrel.

IMPORTANT: Do not strip your pistol further than previously described. If additional maintenance is required, see "Service and Repair" later in this instruction manual.

Note: Assemble in reverse order 13 through 7. However, note that the ejector must be installed with the small ejector tongue engaged

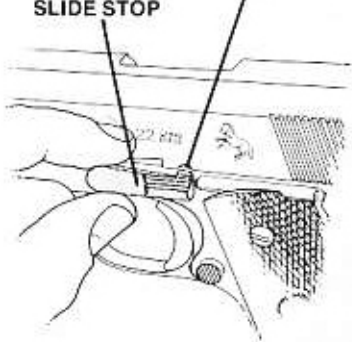


Figure 8 Removing Slide Stop

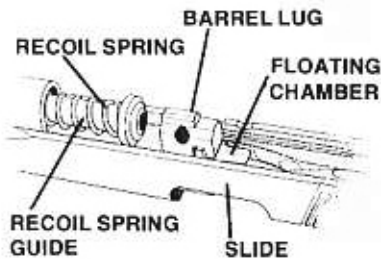


Figure 9 Removing Barrel

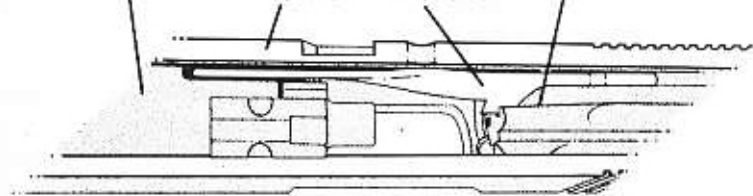


Figure 10 Locating Ejector in Retaining Groove

in the retaining groove of the slide (See Figure 10). After the barrel and barrel bushing are reassembled into the slide, run the slide onto the receiver until the barrel lug is exposed through the slide stop hole. Insert the slide stop into the receiver and through the barrel lug, taking care not to scratch the pistol. Snap the slide stop into place by pressing up and in against the slide stop detent when the slide clearance notch is properly aligned (See Figure 11). Then continue assembling in reverse order 5 through 1.

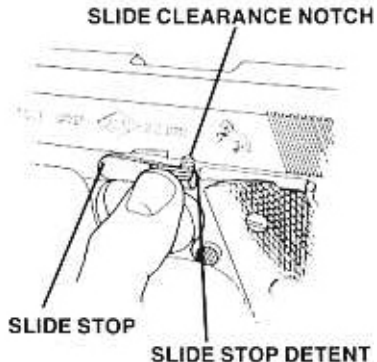


Figure 11 Installing Slide Stop

WHEN TO CLEAN

You should clean your pistol as soon after firing as possible so that the job will be easier and there will be less opportunity for corrosion to start. When your pistol has not been fired, clean it periodically; we suggest once or twice a year in a temperate climate, or as often as once a month in a tropical climate. If you carry a loaded pistol, UNLOAD it and clean it at least once a month. If you get your pistol wet, clean it as soon as possible.

HOW TO CLEAN

The following cleaning procedure may be used both periodically and after firing; however, those items marked "*" are unnecessary for periodic cleaning.

Materials: Cleaning rod, cotton flannel patches (cut to fit snugly into the bore), a small toothbrush, good quality light gun oil, *gun cleaning solution, and *a brass wire bristle bore cleaning brush.

Note: In freezing conditions (below 32°F or 0°C) avoid the use of oil for lubrication; instead, apply a dry lubricant sparingly.

Procedure:

1. **CAUTION: ENSURE THAT THE PISTOL IS NOT LOADED.**

2. Strip for cleaning as previously described.

Note: Avoid contact between cleaning rod and muzzle as resultant wear will reduce accuracy.

3. Attach cotton flannel patch to the end of cleaning rod, insert it in breech and pass rod and patch down through barrel. Repeat, changing patches until last patch comes out clean.

4. Visually inspect barrel; if it is clean, proceed directly to step 7, but if it remains dirty, continue with step 5.

5. *(Note: This item should be applicable only after firing.) Attach brass wire bristle brush to cleaning rod and dip brush in gun cleaning solution. Thoroughly scrub out barrel, passing the brush all the way through before reversing the movement. If you try to change direction with brush in barrel, the brush will stick.

6. Repeat steps 3 and 4 above.

7. Clean rear face of barrel and face of slide, using a small toothbrush.

8. Lightly moisten a flannel patch with gun oil and pass it once through barrel, leaving a thin film of oil on the inside surface. Leave this film of oil on the inside surface if pistol is to be stored. If it is not to be stored, or if it is being removed from storage for use, pass a dry patch through barrel to remove as much oil as possible.

9. Check that flannel or brush bristles have not become lodged in any part of pistol, then wipe all external surfaces with a flannel patch moistened with gun oil. (See note on cold weather lubrication.)

10. Reassemble pistol as previously described.

Again wipe external surfaces with an oil moistened patch to remove any finger prints. (Finger moisture, if left, could start a corrosion process.) (See note on cold weather lubrication.)

12. Remove any gun cleaning solution and oil from the stock.

CLEANING THE MAGAZINE

It is advisable to clean the magazine(s) when the pistol is cleaned. To do so, ensure magazine is empty and apply gun cleaning solution liberally with a soft brush. Work the magazine follower up and down against its spring a few times, then allow the solution to drain from the magazine before drying it with a soft cloth. Make sure all traces of the gun cleaning solution have been removed, then apply a light film of gun oil. However, where there is a risk of dust or grit accumulating in the magazine, leave it dry without oil.

STORAGE

CAUTION: ALWAYS UNLOAD YOUR PISTOL FOR STORAGE AND STORE AMMUNITION SEPARATELY.

Store your pistol and ammunition securely locked and in separate locations out of reach and sight of children. (Children are naturally curious and do not always believe the real danger of guns.)

Note: Do not store your pistol in an air-tight container, and do not seal or attempt to seal the barrel to exclude dust, as the internal steel surface is more likely to corrode.

SERVICING AND REPAIR

Should your pistol require adjustment, or repair, make sure it is NOT LOADED and take it, or send it to the nearest COLT AUTHORIZED REPAIR SERVICE STATION where competent gunsmiths, trained to perform repairs to Colt products, can quickly make the necessary adjustment or repairs. Many of the Colt Authorized Repair Service Stations (a list of addresses is provided separately) are also Colt Parts Distributors, but seek advice from the Dealer who should have up to date information on how best to obtain genuine Colt parts. An illustration and list of part names are included in the next section of this instruction manual to help you identify the part you need. It is important to note that all parts are not available for sale; those parts which are available should be installed at a Colt Authorized Repair Service Station. When ordering parts, please give part name as given on the Parts List. Also give the caliber, model name, serial number and metal finish of your pistol, i.e., whether blue or nickel.

IMPORTANT: If you make unauthorized adjustments or use unauthorized parts, Colt will not assume responsibility for correct functioning of this pistol.

Note: Various Federal and State laws and local ordinances govern the transfer and transportation of firearms, so take the advice of the Dealer in your state on how to send or transport your firearm to a Colt Authorized Repair Service Station. Before shipping your gun, here are some important points to remember.

1. CAUTION: MAKE SURE THAT THE MAGAZINE AND FIREARM ARE NOT LOADED.

2. Write a letter explaining the problem and your requirements in as much detail as possible. Include the model name and serial number of your firearm together with your return address, then enclose it with the gun in a well padded package.
3. Do not send presentation boxes, accessories or ammunition.
4. A list of Colt Authorized Repair Service Stations is provided with your gun.
5. Do not indicate the contents, or include "COLT" in the address on the package so that an inquisitive thief is not attracted to it by such information.
6. Insure the package contents against loss or theft.

SECTION 6 PARTS ILLUSTRATION AND LIST

This section is provided so that you may identify names of parts for your own interest. However, for adjustment, repair, or spare parts information, see Section 5, "Servicing and Repair".

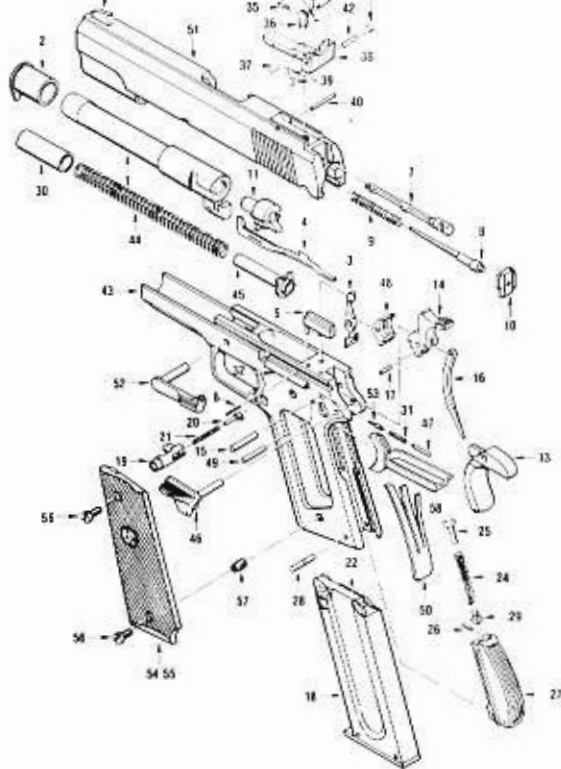


Figure 12—Colt Service Model Ace 22 LR Automatic Pistol

DESCRIPTION

1. Barrel
2. Barrel Bushing
3. Disconnecter
4. Ejector (rimfire)
5. Ejector (center fire)
6. Ejector Pin
7. Extractor
8. Firing Pin
9. Firing Pin Spring
10. Firing Pin Stop
11. Floating Chamber
12. Front Sight
13. Grip Safety
14. Hammer
15. Hammer Pin
16. Hammer Strut
17. Hammer Strut Pin
18. Magazine Assembly
19. Magazine Catch
20. Magazine Catch Lock
21. Magazine Catch Spring
22. Magazine Follower
23. Magazine Spring (not shown)
24. Main Spring
25. Main Spring Cap
26. Main Spring Cap Pin
27. Main Spring Housing (arched)
28. Main Spring Housing Pin
29. Main Spring Housing Pin Retainer
30. Recoil Spring Plug
31. Plunger Spring
32. Plunger Tube
33. Rear Sight Blade
34. Rear Sight Detent Ball
35. Rear Sight Detent Spring
36. Rear Sight Elev. Screw
37. Rear Sight Elev. Screw Pin
38. Rear Sight Leaf
39. Rear Sight Leaf Elev. Spring
40. Rear Sight Leaf Pin
41. Rear Sight Windage Screw
42. Rear Sight Windage Spring
43. Receiver
44. Recoil Spring
45. Recoil Spring Guide
46. Safety Lock
47. Safety Lock Plunger
48. Sear
49. Sear Pin
50. Sear Spring
51. Slide
52. Slide Stop
53. Slide Stop Plunger
- 54-55. Stock Set
56. Stock Screw (4)
57. Stock Screw Bushing (4)
58. Trigger Assembly

SECTION 7

THE CUSTOMIZED GUN

Our Colt Custom Shop offers a wide range of special services such as engraving, inlaying and special serializing to the same high standard of quality long synonymous with the name "COLT". Sometimes modifications, which meet our customer's special requirements, necessitate deviations from standard design and manufacturing tolerances which result in functional differences from a standard gun. Consequently, this instruction manual does not apply to a customized gun unless its applicability has been confirmed by the Colt Custom Shop. For further information, write to Colt Firearms, Custom Gun Shop, 150 Huyslope Avenue, Hartford, Connecticut 06102.

FIREARM RECORD

Colt Model _____

Serial No. _____

Caliber _____

Purchased
from _____Purchased
Date _____Purchase
Price _____**WARRANTY STATEMENT**

Based on Magnuson-Moss Warranty Act, Colt offers no express warranty on its product line. However, Colt recognizes its obligations concerning implied warranty. Colt also stands behind its product as it has historically, and will continue to provide service to its product line as it has over the years. Colt products will be serviced for a period of one year from date of retail purchase, for defects in materials or workmanship, at no charge to the purchaser. Be sure to retain your sales slip as proof of purchase date when making a claim.

This instruction manual should always accompany this firearm and be transferred with it upon change of ownership.

If you require a replacement instruction manual, write to COLT FIREARMS, 150 HUYSHOPE AVENUE, HARTFORD, CONNECTICUT 06102 and quote the part number as shown on the back cover of this manual.