

**WARNING: BEFORE USING THIS FIREARM  
READ AND FOLLOW THESE INSTRUCTIONS!**



**NEW FRONTIER®  
NEW FRONTIER® BUNTLINE**

© 1982 Colt Industries Operating Corp

This instruction manual should always accompany this revolver and be transferred with it upon change of ownership.

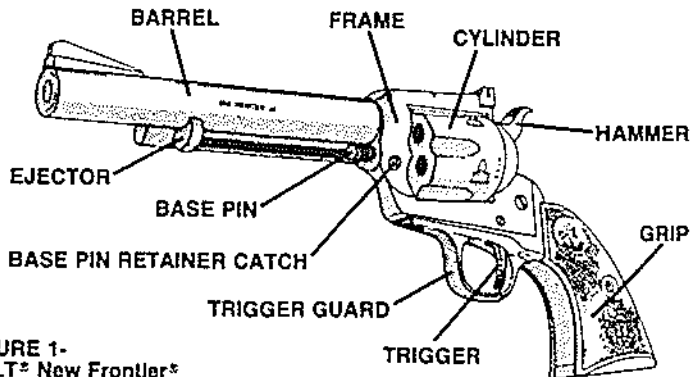


FIGURE 1-  
COLT® New Frontier®

**WARNING: DO NOT KEEP OR CARRY THIS FIREARM WITH A ROUND IN THE FIRING CHAMBER. THIS WILL MINIMIZE THE RISK OF AN ACCIDENTAL DISCHARGE.**

**CAUTION: USE ONLY ORIGINAL HIGH QUALITY COMMERCIALLY MANUFACTURED AMMUNITION IN GOOD CONDITION WHICH IS APPROPRIATE TO THE CALIBER OF YOUR REVOLVER—SEE TABLE BELOW.**

REVOLVER TYPE	SUITABLE AMMUNITION		
	22 LR	22 Short	22 Mag.
New Frontier®	yes	yes	no
New Frontier® Buntline	yes	yes	no

## SECTION 1

## PRECAUTIONS

READ AND UNDERSTAND ALL THE FOLLOWING PRECAUTIONS BEFORE REMOVING THIS FIREARM FROM ITS PACKAGE.

THIS COLT PRODUCT IS CLASSIFIED BY THE ALCOHOL, TOBACCO AND FIREARMS DIVISION OF THE INTERNAL REVENUE SERVICE, U. S. TREASURY DEPARTMENT, AS A FIREARM OR DANGEROUS WEAPON; IT IS, THEREFORE, POTENTIALLY LETHAL!

**WARNING:** IF THIS FIREARM IS CARELESSLY OR IMPROPERLY HANDLED, UNINTENTIONAL DISCHARGE COULD RESULT AND COULD CAUSE INJURY, DEATH, OR DAMAGE TO PROPERTY.

**CAUTION:** CAREFULLY READ THIS INSTRUCTION MANUAL WHICH GIVES BASIC ADVICE ON THE PROPER HANDLING AND FUNCTIONING OF THIS COLT FIREARM PRIOR TO LOADING AND FIRING. HOWEVER, YOUR SAFETY AND THE SAFETY OF OTHERS (INCLUDING YOUR FAMILY) DEPENDS ON YOUR MATURE COMPLIANCE WITH THAT ADVICE, AND YOUR ADOPTION, DEVELOPMENT AND CONSTANT EMPLOYMENT OF SAFE PRACTICES. IF UNFAMILIAR WITH FIREARMS, SEEK FURTHER ADVICE THROUGH SAFE HANDLING COURSES RUN BY YOUR LOCAL GUN CLUBS, NRA APPROVED INSTRUCTOR, OR SIMILAR QUALIFIED ORGANIZATIONS.

**NOTICE—DISCLAIMER OF LIABILITY**

Colt shall not be responsible for injury, death, or damage to property resulting from either intentional or accidental discharge of this firearm, or from its function when used for purposes or subjected to treatment for which it was not designed. Colt will not honor claims involving this firearm which result from careless or improper handling, unauthorized adjustment or parts replacement, corrosion, neglect, or the use of wrong caliber ammunition, or the use of ammunition other than original high quality commercially manufactured ammunition in good condition, or any combination thereof. Colt will not honor claims involving this firearm for any reason or cause when such claims are made by the second or subsequent owner.

**IMPORTANT**

Before it left the factory this firearm was tested, carefully inspected, and packaged. Colt cannot control product handling after it leaves the factory; therefore, please examine this firearm carefully at the time of purchase to insure that it is unloaded and undamaged. The dealer will be pleased to assist you in making this examination and endeavor to answer your further questions.

This instruction manual should always accompany this firearm and be transferred with it upon change of ownership.

**LIST OF SECTIONS**

<b>SECTION</b>	<b>TITLE</b>	<b>PAGE</b>
1	PRECAUTIONS	1
2	Main Features	4
3	Safety Instructions:	5
	Cautions	5
	Features:	13
	Hammer Safety Position	13
	Half-Cock	15
	Safety Bolt	18
4	Function:	20
	Loading	20
	Unloading	23
	Firing	25
5	Maintenance:	29
	Stripping for Cleaning	30
	When to Clean	31
	How to Clean	31
	Storage	33
	Servicing and Repair	34
6	Parts Illustration and List	35
7	The Customized Gun	38

## SECTION 2

## MAIN FEATURES

The Colt New Frontier and New Frontier Buntline revolvers are scaled down versions of Colt's original Single Action Army revolver. They are chambered for 22 LR Ammunition, have an adjustable rear sight, are color case hardened or finished in Coltguard nickel; they come with composite rubber grips and in different barrel lengths. This instruction manual applies to these revolvers, commemorative issues of these revolvers and to the variations of them shown in the table below.

<b>Revolver Type</b>	<b>Barrel Lengths</b>	<b>Finishes</b>	<b>Sights</b>
New Frontier 22 LR	4.4" or 6"	Colt Blue (color case hardened frame) or Coltguard Nickel.	Fully adjustable rear. Ramp-style front.
New Frontier Buntline 22 LR	7½"	Colt Blue (color case hardened frame) or Coltguard Nickel.	Fully adjustable rear. Ramp-style front.

## SECTION 3

## SAFETY INSTRUCTIONS

We want you to enjoy shooting your Colt revolver, but we want you to enjoy it safely. You may be an experienced safe shooter already familiar with the procedures in this instruction manual, or you may never have handled a gun before. Either way we urge you to READ THIS ENTIRE INSTRUCTION MANUAL CAREFULLY. YOU MUST FOLLOW THE SAFETY INSTRUCTIONS FOR YOUR SAFETY AND THE SAFETY OF OTHERS.

**WARNING: DO NOT CARRY THIS FIREARM WITH A ROUND IN THE FIRING CHAMBER. THIS WILL MINIMIZE THE RISK OF AN ACCIDENTAL DISCHARGE.**

**WARNING: IF REVOLVER IS DROPPED ON HAMMER, IF REVOLVER IS FANNED, OR IF EXCESSIVE FORCE IS APPLIED TO THE TRIGGER—"SAFETY" AND "HALF-COCK" NOTCHES COULD BREAK, CAUSING ACCIDENTAL DISCHARGE WHICH COULD RESULT IN INJURY, DEATH, OR DAMAGE TO PROPERTY. (Note: Normal trigger pull is 5 lbs. maximum—excessive force is 35 lbs. or more.) ALWAYS KEEP SAFETY BOLT APPLIED TO MINIMIZE THESE RISKS.**

**CAUTIONS:****GENERAL HANDLING CAUTIONS**

1. ALWAYS HANDLE YOUR REVOLVER AS IF IT WERE LOADED SO THAT YOU NEVER FIRE IT ACCIDENTALLY WHEN YOU THINK IT IS UNLOADED.

2. NEVER POINT YOUR REVOLVER AT ANYTHING YOU DO NOT INTEND TO SHOOT SO THAT IF IT FIRES ACCIDENTALLY, INJURY, DEATH, OR DAMAGE TO PROPERTY WILL BE PREVENTED.

3. NEVER TAKE ANYONE'S WORD THAT A GUN IS UNLOADED; CHECK FOR YOURSELF WITH FINGERS OFF THE TRIGGER AND GUN POINTED IN A SAFE DIRECTION, SO THAT YOU NEVER FIRE THE GUN ACCIDENTALLY WHEN YOU THINK IT IS UNLOADED.

4. ALWAYS KEEP AND CARRY YOUR REVOLVER EMPTY, WITH THE HAMMER IN THE SAFETY POSITION AND THE SAFETY BOLT APPLIED, EXCEPT WHEN YOU INTEND TO SHOOT, SO THAT YOUR REVOLVER CANNOT BE FIRED WHEN YOU DO NOT MEAN TO FIRE IT.

5. NEVER LEAVE REVOLVER COCKED READY TO FIRE AS THIS CONDITION IS EXTREMELY DANGEROUS, AND REVOLVER COULD EASILY BE ACCIDENTALLY DISCHARGED CAUSING INJURY, DEATH, OR DAMAGE TO PROPERTY.

6. NEVER LEAVE A LOADED REVOLVER UNATTENDED. SOMEONE, ESPECIALLY A CHILD, MAY FIRE IT AND CAUSE INJURY, DEATH, OR DAMAGE TO PROPERTY.



7. ALWAYS INSTRUCT CHILDREN TO RESPECT FIRE-ARMS. IF YOU TEACH YOUR CHILDREN TO SHOOT, TEACH THEM TO TREAT AND USE THE REVOLVER PROPERLY, AND ALWAYS SUPERVISE THEM CLOSELY. ALWAYS STRESS SAFETY SO THAT YOUR CHILDREN WILL NOT FIRE THE REVOLVER WHEN IT IS UNSAFE TO DO SO.

#### RANGE CAUTIONS

8. ALWAYS BE SURE YOUR BACKSTOP IS ADEQUATE TO STOP AND CONTAIN BULLETS BEFORE BEGINNING TARGET PRACTICE SO THAT YOU DO NOT HIT ANYTHING OUTSIDE THE RANGE SHOOTING AREA.

9. ALWAYS PUT A KNOWLEDGEABLE AND RESPONSIBLE PERSON IN CHARGE TO MAINTAIN SAFETY CONTROL WHEN A GROUP IS FIRING ON A RANGE. OBEY HIS COMMANDS SO THAT DISCIPLINE IS MAINTAINED TO REDUCE THE LIKELIHOOD OF ACCIDENTS.

10. ALWAYS CARRY YOUR REVOLVER EMPTY WITH THE LOADING GATE OPEN WHILE ON A RANGE UNTIL PREPARING TO FIRE. KEEP IT POINTING TOWARDS THE BACKSTOP WHEN LOADING, FIRING AND UNLOADING, TO ELIMINATE THE RISK OF INJURY, DEATH, OR DAMAGE TO PROPERTY.

## LOADING CAUTIONS

11. ALWAYS BE SURE BARREL BORE AND CYLINDER CHAMBERS ARE CLEAR OF OBSTRUCTIONS. CLEAN A FOULED REVOLVER IMMEDIATELY SO THAT IT WILL FUNCTION CORRECTLY AND SAFELY.

12. ALWAYS USE ONLY CLEAN, DRY, ORIGINAL HIGH QUALITY COMMERCIALY MANUFACTURED AMMUNITION IN GOOD CONDITION WHICH IS APPROPRIATE TO THE CALIBER OF YOUR REVOLVER. (SEE INSIDE FRONT COVER.) GUN AND AMMUNITION MANUFACTURERS DESIGN THEIR PRODUCTS WITHIN EXACTING ENGINEERING SAFETY LIMITS. HANDLOADS ARE SOMETIMES OUTSIDE THOSE LIMITS AND CAN BE SO UNSAFE AS TO BLOW UP THE CYLINDER AND FRAME AND CAUSE INJURY, DEATH OR DAMAGE TO PROPERTY.

## SHOOTING CAUTIONS

13. NEVER DRINK ALCOHOLIC BEVERAGES OR TAKE DRUGS BEFORE OR DURING SHOOTING, AS YOUR VISION AND JUDGEMENT COULD BE SERIOUSLY IMPAIRED MAKING YOUR GUN HANDLING UNSAFE.

14. ALWAYS SEEK A DOCTOR'S ADVICE IF YOU ARE TAKING MEDICATION, TO BE SURE YOU ARE FIT TO SHOOT AND HANDLE YOUR REVOLVER SAFELY.

15. ALWAYS WEAR AND ENCOURAGE OTHERS TO WEAR EAR PROTECTION WHEN SHOOTING, ESPE-

CIALLY ON A RANGE. WITHOUT EAR PROTECTION, THE NOISE FROM YOUR REVOLVER AND OTHER GUNS CLOSE TO YOU COULD LEAVE A "RINGING" IN THE EARS FOR SOME TIME AFTER FIRING, WHILE THE CUMULATIVE LONG TERM EFFECT COULD BE PERMANENT HEARING LOSS.

16. ALWAYS WEAR AND ENCOURAGE OTHERS TO WEAR PROTECTIVE SHOOTING GLASSES. FLYING PARTICLES COULD DAMAGE EYES AND CAUSE BLINDNESS; BUT PROTECTIVE SHOOTING GLASSES SHOULD PREVENT SUCH INJURY.

17. ALWAYS KEEP AN EMPTY CHAMBER IN FRONT OF HAMMER WITH HAMMER IN SAFETY POSITION AND THE SAFETY BOLT APPLIED WHEN REVOLVER IS LOADED UNTIL YOU ARE READY TO FIRE. THIS WILL MINIMIZE RISK OF AN ACCIDENTAL DISCHARGE.

18. ALWAYS HOLD REVOLVER BY THE GRIP AND KEEP BOTH HANDS WELL CLEAR OF, AND BEHIND THE CYLINDER. NEVER HOLD IT NEAR THE CYLINDER AS VERY HOT GAS AND LEAD PARTICLES MAY BE SPRAYED OUT AROUND THE CYLINDER ... THESE WOULD INJURE YOUR HANDS.

19. NEVER SQUEEZE THE TRIGGER OR PUT YOUR FINGER IN THE TRIGGER GUARD UNTIL YOU ARE AIMING AT A TARGET AND READY TO SHOOT. THIS WILL PREVENT YOU FIRING THE REVOLVER WHEN IT IS POINTING IN AN UNSAFE DIRECTION.

20. ALWAYS BE ABSOLUTELY SURE OF YOUR TARGET AND THE AREA BEHIND IT BEFORE YOU SQUEEZE THE TRIGGER. A BULLET COULD TRAVEL THROUGH OR PAST YOUR TARGET UP TO 1½ MILES ... IF IN DOUBT, DON'T SHOOT.

21. NEVER SHOOT AT A HARD SURFACE SUCH AS ROCK, OR A LIQUID SURFACE SUCH AS WATER. A BULLET MAY RICOCHET AND TRAVEL IN ANY DIRECTION TO STRIKE YOU, ANOTHER PERSON OR AN OBJECT YOU CANNOT SEE, CAUSING INJURY, DEATH, OR DAMAGE TO PROPERTY.

22. NEVER FIRE YOUR REVOLVER NEAR AN ANIMAL UNLESS IT IS TRAINED TO ACCEPT THE NOISE; AN ANIMAL'S STARTLED REACTION COULD INJURE IT OR CAUSE AN ACCIDENT.

23. NEVER INDULGE IN "HORSEPLAY" WHILE HOLDING YOUR REVOLVER AS IT MAY BE ACCIDENTALLY DISCHARGED.

24. NEVER WALK, CLIMB OR FOLLOW A COMPANION WITH YOUR REVOLVER COCKED READY TO FIRE, OUT OF ITS HOLSTER, OR WITH THE HAMMER IN ANY POSITION OTHER THAN IN "SAFETY" WITH AN EMPTY CHAMBER IN FRONT OF THE HAMMER. THE SAFETY BOLT MUST ALSO BE APPLIED TO MINIMIZE RISK OF AN ACCIDENTAL DISCHARGE. WHEN HUNTING, HOLD YOUR REVOLVER SO THAT YOU CAN ALWAYS CONTROL THE DIRECTION OF THE MUZZLE.

## **MALFUNCTION CAUTIONS**

**25. FAILURE TO FIRE: ALWAYS HOLD REVOLVER, KEEPING IT POINTED TOWARDS THE TARGET OR A SAFE OPEN AREA AND WAIT 30 SECONDS WHEN REVOLVER FAILS TO FIRE. IF A HANGFIRE (slow ignition) HAS OCCURRED, ROUND WILL FIRE WITHIN 30 SECONDS. IF ROUND DOES NOT FIRE, EJECT ROUND AND EXAMINE PRIMER IN BASE OF MISFIRED ROUND. IF FIRING PIN INDENT ON PRIMER IS LIGHT, MISALIGNED OR NON-EXISTENT, HAVE REVOLVER EXAMINED BY A COMPETENT GUNSMITH. IF FIRING PIN INDENT ON PRIMER APPEARS NORMAL (in comparison with similar previously fired rounds) ASSUME FAULTY AMMUNITION; SEGREGATE MISFIRED ROUND FROM OTHER LIVE AMMUNITION AND EMPTY CASES, RELOAD AND CARRY ON FIRING.**

**Note:** Dispose of misfired rounds in accordance with ammunition manufacturer's instructions.

**26. NEVER USE YOUR REVOLVER IF IT FAILS TO FUNCTION PROPERLY, AND NEVER FORCE A JAMMED ACTION, AS A ROUND MAY EXPLODE CAUSING SERIOUS INJURY, POSSIBLE DEATH, OR SEVERE DAMAGE TO YOUR REVOLVER.**

## **CLEANING AND STORAGE CAUTIONS**

**27. ALWAYS MAKE SURE YOUR REVOLVER IS NOT LOADED BEFORE CLEANING, STORING, TRAVELING, LAYING IT DOWN, OR HANDING IT TO ANOTHER PERSON, SO THAT IT CANNOT BE FIRED WHEN IT IS UNSAFE TO DO SO.**

**28. ALWAYS STORE YOUR REVOLVER AND AMMUNITION IN SEPARATE LOCKED RECEPTACLES OUT OF REACH AND SIGHT OF CHILDREN, TO MINIMIZE THE RISK OF REVOLVER AND AMMUNITION BEING EASILY AVAILABLE FOR LOADING AND FIRING.**

## **GUN ABUSE CAUTION**

**29. NEVER "FAN" YOUR REVOLVER. YOU COULD BREAK THE FIRING MECHANISM AND MAKE REVOLVER UNSAFE. YOUR ACCURACY WILL BE REDUCED AND YOU MAY HIT SOMETHING OTHER THAN TARGET AIMED AT. ALTERING THE SINGLE ACTION MECHANISM FOR FANNING WOULD ALSO MAKE THE REVOLVER UNSAFE; DO NOT MAKE OR ATTEMPT TO MAKE THIS ALTERATION.**

**IMPORTANT:** Do not dry fire your Colt New Frontier Revolver as repeated dry firing could damage the firing pin. (Dry firing is snapping the hammer on an empty chamber.)

**Note:** Please note that we have chosen to use the word "SQUEEZE" in this instruction manual instead of "PULL" or "PRESS" when trigger movement is described; this is simply to

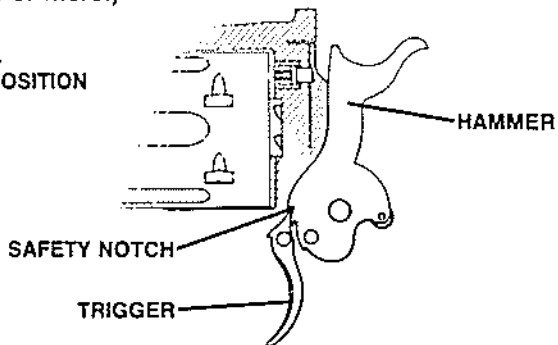
remind you of the need for a gentle squeezing action to achieve accuracy.

## SAFETY FEATURES

There are three distinct hammer positions on a Colt New Frontier revolver; two, which are described below, are safety features, while the third, which will be described later, is the COCKED position for firing. A safety bolt is also installed in the frame to add a further element of safety.

**HAMMER SAFETY POSITION**—With the hammer in the Safety position the sear end of the trigger engages the first notch (safety notch) of the hammer to hold the hammer away from the firing pin. See Figure 2. Once in this position, the trigger cannot be moved unless enough force is applied to break it or the notch. (Note: Normal trigger pull is 5 lbs maximum while excessive force is 35 lbs. or more.)

FIGURE 2-  
SAFETY POSITION



**CAUTION:** ALWAYS CARRY YOUR SINGLE ACTION REVOLVER IN THIS "SAFETY" POSITION WITH AN EMPTY CHAMBER IN FRONT OF THE HAMMER AND THE SAFETY BOLT APPLIED.

To put the hammer in the safety position, place your thumb firmly on the hammer spur, (DO NOT TOUCH THE TRIGGER) and draw the hammer back about a quarter inch. When you hear a "click", gently ease hammer slightly forward, allowing safety notch to engage and hold hammer in safety position.

**CAUTION:** DO NOT ATTEMPT TO ENGAGE SAFETY NOTCH DIRECTLY FROM HALF COCK OR COCKED POSITIONS UNLESS YOU RELEASE THE TRIGGER COMPLETELY BEFORE THE HAMMER REACHES THE SAFETY POSITION, AS THE SAFETY NOTCH MAY NOT BE ENGAGED CORRECTLY.

----- SAFETY POSITION  
 \_\_\_\_\_ HALF COCK POSITION

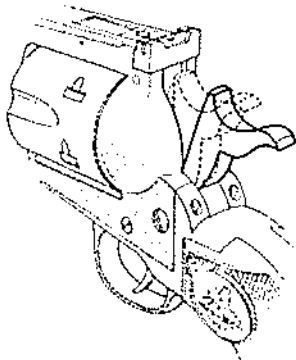


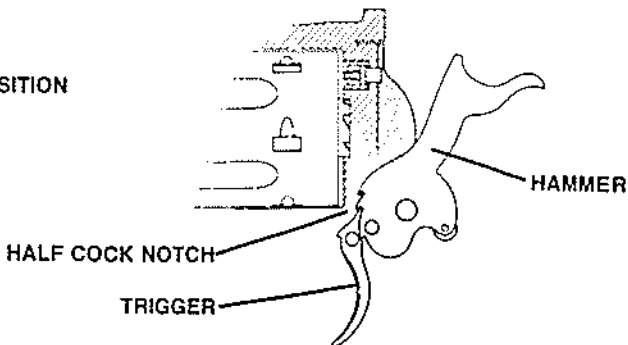
FIGURE 3-  
 SAFETY AND HALF COCK POSITIONS  
 —EXTERNAL



**HALF-COCK (OR LOADING) POSITION**—With the hammer in the Half-Cock position the sear end of the trigger engages the half cock notch and the cylinder is free to rotate for loading, unloading, inspection and further maintenance. See Figure 4. Once in this position the trigger cannot be moved unless enough force is applied to break it or the notch.

**CAUTION: NEVER CARRY YOUR REVOLVER IN THE HALF-COCK POSITION AS ACCIDENTAL DISCHARGE MAY BE POSSIBLE IF REVOLVER IS SUBSEQUENTLY DROPPED, MISHANDLED OR MISTREATED.**

**FIGURE 4-  
HALF-COCK POSITION**



To place the hammer in Half-Cock position (DO NOT TOUCH THE TRIGGER) put thumb firmly on the hammer spur and draw hammer back about three quarters inch from Safety position. When you hear a "click" gently ease hammer slightly forward allowing Half-Cock notch to be engaged to hold hammer in Half-Cock position.

**IMPORTANT:** If you draw the hammer too far back another "click" will be heard. This "click" is caused by the bolt engaging the cylinder which will not be free to rotate when hammer is lowered into Half-Cock position. If you find cylinder locked DO NOT FORCE IT. Simply return the hammer to the Safety position and draw it back again into the Half-Cock position as described in this manual.

The Safety and Half-Cock positions also serve to arrest the forward movement of the hammer and prevent a round being fired should your thumb accidentally slip from the hammer spur. This safety feature is effective provided YOU DO NOT TOUCH THE TRIGGER.

**IMPORTANT:** The Safety and Half-Cock notches in the mechanism are designed to prevent the trigger from being pulled, so DO NOT FORCE TRIGGER WITH HAMMER IN "SAFETY" OR "HALF-COCK" POSITIONS. The mechanism could be damaged by such action, rendering the revolver unsafe.

When you no longer want the hammer at Half-Cock, place thumb firmly on hammer spur and draw hammer back slightly to disengage Half-Cock notch. Insure that empty chamber remains in front of hammer and safety bolt is applied. Squeeze trigger only long enough to allow hammer to move forward and clear Half-Cock notch, then release trigger completely so that Safety notch can be properly engaged, and lower hammer, controlling its movement with your thumb, into the Safety position. Practice this action with an empty revolver to assure proper feel.

**WARNING:** IF YOU DO NOT RELEASE TRIGGER FULLY BEFORE REACHING SAFETY POSITION, SAFETY NOTCH MAY NOT BECOME FULLY AND SAFELY ENGAGED, RENDERING IT INEFFECTIVE AS A SAFETY DEVICE.

**WARNING:** IF REVOLVER IS DROPPED ON HAMMER, IF REVOLVER IS FANNED, OR IF EXCESSIVE FORCE IS APPLIED TO TRIGGER—"SAFETY" AND "HALF-COCK" NOTCHES COULD BREAK, CAUSING ACCIDENTAL DISCHARGE WHICH COULD RESULT IN INJURY, DEATH, OR DAMAGE TO PROPERTY. (Note: Normal trigger pull is 5 lbs. maximum—excessive force is 35 lbs. or more.) ALWAYS KEEP SAFETY BOLT APPLIED TO MINIMIZE THESE RISKS.

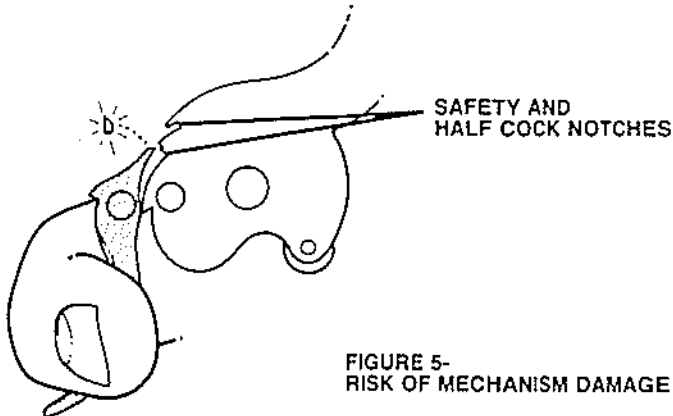


FIGURE 5-  
RISK OF MECHANISM DAMAGE

**IMPORTANT:** If you suspect excessive force has been applied to the trigger (35 lbs. or more applied on a plane parallel to the barrel) or if revolver has been dropped or has otherwise received a sharp blow which may also damage or break the notches—have the revolver inspected for safe functioning by a competent gunsmith.

**SAFETY BOLT**—A manually operated safety bolt is located in the frame of the New Frontier revolver. You apply the safety bolt by opening the loading gate and pushing the safety bolt into the frame. See Figure 6. When you apply the safety bolt by pushing it into the frame, it becomes a barrier between the hammer and firing pin to prevent the hammer from striking the firing pin. To be protected by this additional safety feature when handling and carrying the revolver, you must apply the safety bolt with the hammer in the safety position. You might feel some resistance when applying the safety bolt with the hammer in the safety position. This is normal and can be avoided by pulling the hammer back just enough for you to push the safety bolt easily into the frame. The safety bolt must also be applied before the revolver can be loaded and unloaded.

The safety bolt cannot be applied when the hammer is fully cocked.

When the hammer is brought to full cock for firing, the safety bolt is automatically cammed out of engagement. The revolver will now fire when the trigger is pulled.

The safety bolt does not automatically reengage, you must apply it manually.

After firing always apply the safety bolt by pushing it into the frame. Whenever the hammer is lowered out of the cocked position, re-apply the safety bolt. THIS IS PARTICULARLY IMPORTANT WHEN YOU COCK THE HAMMER READY TO FIRE, THEN CHOOSE NOT TO SHOOT.

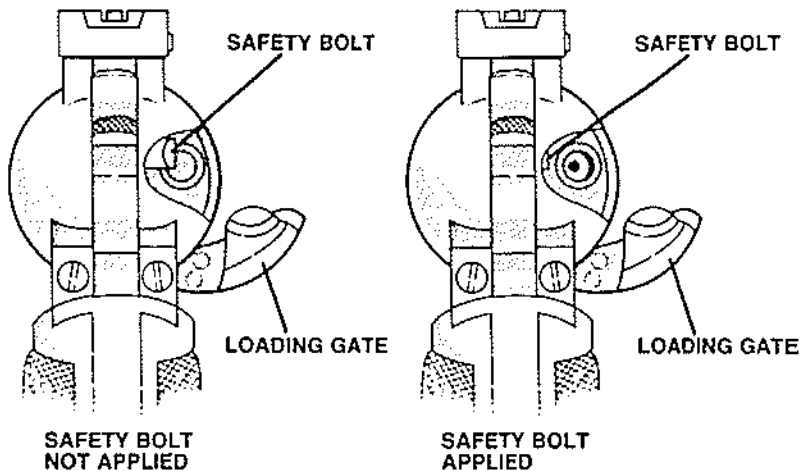


FIGURE 6-SAFETY BOLT

Your Colt New Frontier is a single action revolver which will be ready to fire when chambers in the cylinder are loaded with ammunition (see loading instructions), and hammer has been drawn all the way back past Safety and Half-Cock positions to Cocked position. The action of "cocking" cams the safety bolt out of engagement, lowers cylinder locking bolt, rotates cylinder to carry a round of ammunition into alignment with barrel and hammer, raises cylinder locking bolt to lock cylinder and holds hammer under spring tension. When trigger is squeezed, hammer falls forward, strikes firing pin which passes through the firing pin hole to strike the primer in the base of the cartridge. The energy imparted to the primer ignites it, this in turn ignites the main charge which, in burning, rapidly generates extremely high gas pressure to drive the bullet down the barrel. Rifling grooves in the barrel impart stabilizing spin to the bullet so that it will follow a more accurate path to the target.

#### LOADING

**CAUTION:** TO MINIMIZE RISK OF UNINTENTIONAL DAMAGE, LOAD LIVE AMMUNITION INTO REVOLVER ONLY WHEN YOU ARE ABOUT TO SHOOT.

To Load:

1. **CAUTION:** READ SAFETY INSTRUCTIONS (section 3)—KEEP REVOLVER POINTING IN SAFE DIRECTION AND DO NOT TOUCH THE TRIGGER.

2. Draw hammer back to Half-Cock position (The cylinder is now free to rotate.)
3. Open loading gate by swinging it out to the right, exposing back of cylinder and a chamber. See Figure 7.
4. Apply the safety bolt by pushing it into the frame.
5. Check each of six chambers to ensure they are clean and free from accumulated oil. (Clean if necessary; see cleaning instructions.)
6. Use only ammunition recommended inside front cover of this instruction manual as suitable for your revolver. Insert a round of ammunition into chamber.
7. Press round home until it is fully seated.
8. Rotate cylinder clockwise to expose next empty chamber and insert a round as in steps 4 and 5 above; repeat until FIVE rounds are loaded.

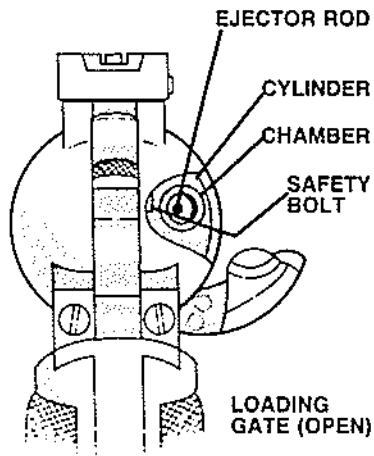


FIGURE 7-  
LOADING GATE OPEN

**CAUTION:** LEAVE ONE CHAMBER EMPTY FOR SAFE CARRYING.

**CAUTION:** INSURE EMPTY CHAMBER REMAINS IN FRONT OF HAMMER AND IN LINE WITH BARREL, SO THAT IF HAMMER FALLS FORWARD, FIRING PIN WILL NOT STRIKE LIVE ROUND TO CAUSE ACCIDENTAL DISCHARGE.

9. KEEP REVOLVER POINTING IN SAFE DIRECTION. With thumb firmly on hammer spur, draw hammer back slightly to disengage the half-cock notch. Squeeze the trigger only long enough to allow hammer to move forward and clear half-cock notch, then release trigger completely so that safety notch can be properly engaged, and lower hammer, controlling its movement with your thumb, into safety position.

**CAUTION:** IF YOU DO NOT RELEASE TRIGGER FULLY BEFORE REACHING "SAFETY" POSITION, THE SAFETY NOTCH MAY NOT BECOME FULLY AND SAFELY ENGAGED, RENDERING IT INEFFECTIVE AS A SAFETY DEVICE.

**IMPORTANT:** It is sometimes possible that the bolt will not correctly engage cylinder to lock it so that empty chamber may not remain in front of hammer. Check for correct locking by attempting to rotate cylinder gently counterclockwise by hand. If it is already locked, the cylinder will not move, but if it was unlocked, you should hear the bolt "click" into engagement with the cylinder to lock it.



10. Make sure the safety bolt remains applied by pushing it into the frame.

11. Look at the rear of the cylinder to make sure the empty chamber is in front of the hammer; if it is, close the loading gate so that it is again flush with the revolver frame. If the empty chamber is not in front of the hammer, draw hammer back into Half-Cock notch, realign the cylinder and repeat items 8 through 11 until empty chamber is locked in front of hammer.

## UNLOADING

**CAUTION: ALWAYS UNLOAD YOUR REVOLVER IMMEDIATELY AFTER USE, AND PRIOR TO CLEANING AND STORAGE, TO MINIMIZE THE RISK OF ACCIDENTAL DISCHARGE.**

To Unload:

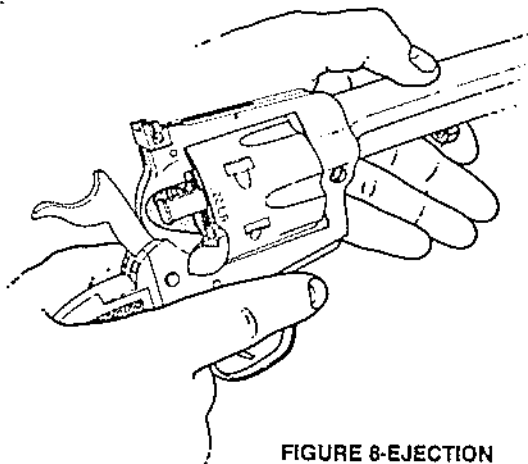
1. Be sure you are familiar with Safety Instruction in Section 3. KEEP REVOLVER POINTING IN SAFE DIRECTION AND DO NOT TOUCH TRIGGER.
2. Open loading gate.
3. Apply safety bolt by pushing it into the frame.
4. Draw hammer back to Half-Cock position. (The cylinder is now free to rotate clockwise.)
5. KEEPING FINGERS AWAY FROM TRIGGER, push ejector rod, (located under the barrel) backwards through cylinder chamber, forcing out the live round or empty case, which should be removed from revolver. Allow ejector rod to return forward under its spring action. See Figure 8.

6. Rotate cylinder clockwise to align next chamber with ejector rod and repeat step 5 above; repeat until all chambers are empty.

7. Close loading gate.

8. With thumb firmly on hammer spur, draw hammer back slightly to disengage Half-Cock notch. Squeeze trigger only long enough to allow hammer to move forward and clear Half-Cock notch, then release trigger completely so that the Safety notch can be properly engaged, and lower hammer, controlling its movement with thumb, into Safety position.

9. Collect live ammunition for safe storage and empty cartridge cases for disposal.



**FIGURE 8-EJECTION**

## FIRING

Before firing your Colt New Frontier revolver, practice your stance, aim, rhythm and breathing for steady aim, with your revolver UNLOADED. Practice firing on a range before going hunting or using your revolver for any other type of shooting.

The New Frontier is fitted with the adjustable Colt Accro rear sight. (See Figure 9). To adjust sight, turn windage screw clockwise and sight moves to left; counterclockwise and it moves to right. Turn elevation screw clockwise to lower sight; counterclockwise to raise it. Point of bullet impact will move in the same direction. It is recommended that adjustments for other than windage and elevation be made only by experienced persons.

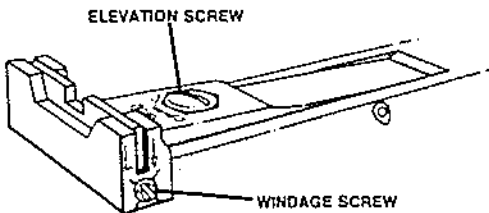


FIGURE 9-COLT ACCRO REAR SIGHT

**CAUTIONS:**

1. ALWAYS WEAR AND ENCOURAGE OTHERS NEAR YOU TO WEAR EAR PROTECTION WHEN SHOOTING, ESPECIALLY ON A RANGE. WITHOUT EAR PROTECTION, THE NOISE FROM YOUR REVOLVER AND OTHER GUNS CLOSE TO YOU COULD LEAVE A "RINGING" IN THE EARS FOR SOME TIME AFTER FIRING, WHILE THE CUMULATIVE LONG TERM EFFECT COULD BE PERMANENT HEARING LOSS.

2. ALWAYS WEAR AND ENCOURAGE OTHERS TO WEAR PROTECTIVE SHOOTING GLASSES. FLYING PARTICLES COULD DAMAGE EYES AND CAUSE BLINDNESS; BUT PROTECTIVE SHOOTING GLASSES SHOULD PREVENT SUCH INJURY.

**To Fire**

1. Be sure you are familiar with "Safety Instructions" in Section 3. KEEP REVOLVER POINTING IN A SAFE DIRECTION'

2. Load revolver as previously described.
3. **DO NOT TOUCH TRIGGER.** With your thumb firmly on hammer spur, draw hammer FULLY back (about an inch and three quarters) to "cocked" position and allow hammer to go slightly forward until "cocked" notch is engaged. Remove thumb from hammer spur.
4. Grasp revolver by grip and, with index finger resting along the outside of trigger guard, take aim. (Aim by aligning target with front and rear sights. See Figure 11.)
5. Keeping steady aim, place index finger on trigger and squeeze gently. Don't jerk the trigger as you will disturb your aim and spoil your accuracy.
6. Release trigger and remove index finger from trigger.

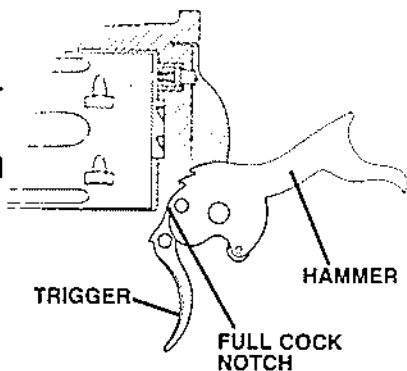


FIGURE 10-COCKED POSITION

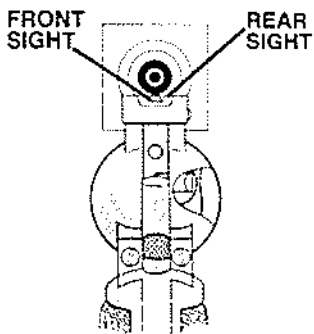


FIGURE 11-AIMING

**CAUTION:** IF REVOLVER FAILS TO FIRE, HOLD IT, KEEPING IT POINTED TOWARDS THE TARGET OR A SAFE OPEN AREA AND WAIT 30 SECONDS. IF A HANG-FIRE (slow ignition) HAS OCCURRED, ROUND WILL FIRE WITHIN 30 SECONDS. IF ROUND DOES NOT FIRE, EJECT IT AND EXAMINE PRIMER IN BASE OF MISFIRED ROUND. IF FIRING PIN INDENT ON PRIMER IS LIGHT, MISALIGNED OR NON-EXISTENT, UNLOAD REMAINING ROUNDS AND HAVE REVOLVER EXAMINED BY A COMPETENT GUNSMITH. IF FIRING PIN INDENT ON PRIMER APPEARS NORMAL (in comparison with similar previously fired rounds) ASSUME FAULTY AMMUNITION; SEGREGATE MISFIRED ROUND FROM OTHER LIVE AMMUNITION AND EMPTY CASES, AND CARRY ON FIRING.

**Note:** Dispose of misfired rounds in accordance with the ammunition manufacturer's instructions.

7. To fire second and subsequent rounds, repeat steps 3 through 6 above.

8. KEEP REVOLVER POINTING IN SAFE DIRECTION. Unload revolver as previously described.

**CAUTION:** NEVER LEAVE REVOLVER COCKED READY TO FIRE AS THIS CONDITION IS EXTREMELY DANGEROUS, AND REVOLVER COULD EASILY BE ACCIDENTALLY DISCHARGED CAUSING INJURY, DEATH, OR DAMAGE TO PROPERTY.

**IMPORTANT:** If you cock your revolver but do not fire it, return hammer to Safety position by placing thumb firmly on hammer

and spur and draw hammer back slightly to disengage Cocked notch. Squeeze trigger only long enough to allow hammer to move forward and clear Cocked notch, then release trigger completely. Half-Cock notch will then be engaged as the hammer is lowered. Open gate and apply safety bolt. Draw hammer back slightly to disengage half cock notch. Squeeze trigger only long enough to allow hammer to move forward and clear half cock notch, then release trigger completely so that safety notch can be properly engaged as hammer is lowered. Now pull hammer back into half cock notch and rotate cylinder until empty chamber is in front of hammer and lower hammer into safety notch as previously described. Ensure empty chamber remains in front of hammer and safety bolt is applied, then close gate. If you lose the opportunity to fire, unload your revolver as previously described.

**CAUTION: IF YOU DO NOT RELEASE TRIGGER FULLY BEFORE REACHING SAFETY POSITION, SAFETY NOTCH MAY NOT BECOME FULLY ENGAGED, RENDERING IT INEFFECTIVE AS A SAFETY DEVICE.**

## SECTION 5

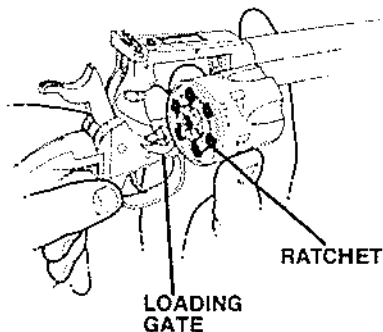
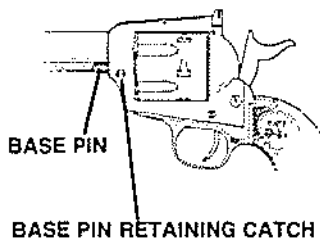
## MAINTENANCE

A Colt revolver, like any other precision mechanism, will perform better, last longer and remain safer when it is properly maintained. Follow the instructions in this Section to keep your revolver in peak condition.

**CAUTION: ENSURE THAT THE REVOLVER IS NOT LOADED BEFORE STRIPPING AND CLEANING, SO THAT IT WILL NOT FIRE.**

**STRIPPING FOR CLEANING**

1. Be sure you are familiar with "Safety Instructions" in Section 3.
2. Draw hammer back to Half-Cock position.
3. Open loading gate.
4. Rotate cylinder and ensure all six chambers are empty.
5. Remove cylinder as follows:
  - a. Depress base pin retaining catch (located on left side of frame in front of cylinder).
  - b. Keeping base pin retaining catch depressed, pull base pin forward and remove it from revolver. Release retaining catch.
  - c. Carefully remove cylinder to the right of frame and avoid contact between the ratchet and loading gate. See Figure 12.



**FIGURE 12-  
CYLINDER REMOVAL**



**IMPORTANT:** Do not strip your revolver further than removing the cylinder. If later additional maintenance is required see "Servicing and Repair" later in this instruction manual.

### WHEN TO CLEAN

You should clean your revolver as soon after firing as possible so that the job will be easier and there will be less opportunity for corrosion to start. When your revolver has not been fired, clean it periodically; we suggest once or twice a year in a temperate climate, or as often as once a month in a tropical climate. If you carry a loaded revolver, UNLOAD it and clean it at least once a month.

### HOW TO CLEAN

The following cleaning procedure may be used both periodically and after firing; however, those items marked "\*" are unnecessary for periodic cleaning.

Materials: Cleaning rod, cotton flannel patches (cut to fit snugly into the bore), a small tooth-brush, good quality light gun oil,\* gun cleaning solution, and \*a brass wire bristle bore cleaning brush.

**Note:** In freezing conditions (below 32°F or 0°C) avoid the use of oil for lubrication; instead, apply a dry lubricant sparingly.

Procedure:

1. **CAUTION:** ENSURE THAT THE REVOLVER IS NOT LOADED.

2. Strip for cleaning as previously described.

**Note:** Avoid contact between cleaning rod and muzzle as resultant wear will reduce accuracy. Take care to avoid striking rear frame of revolver as severe cases result in burring of the metal around firing pin hole which could contribute to eventual firing failures.

3. Attach cotton flannel patch to end of cleaning rod, insert it in muzzle and pass rod and patch down through barrel. Repeat, changing patches until last patch comes out clean.

4. Clean each of the six chambers in cylinder with similar method to step 3 above.

5. Visually inspect barrel and chambers; if they are clean, proceed directly to step 8, but if they remain dirty, continue with step 6.

6. **\*(Note: This item should be applicable only after firing.)** Attach brass wire bristle brush to cleaning rod and dip brush in gun cleaning solution. Thoroughly scrub out barrel and cylinder chambers, passing the brush all the way through before reversing the movement. If you try to change direction with brush in barrel or chamber, the brush will stick. Note that painted and plated surfaces could become damaged or streaked when exposed to gun cleaning solution, so follow the manufacturer's instructions.

7. Repeat steps 3, 4 and 5 above.

8. Clean rear face of barrel and revolver frame, using a small tooth-brush then remove all trace of gun cleaning solution.

9. Lightly moisten a flannel patch with gun oil and pass it once through barrel, leaving a thin film of oil on the inside surface. Similarly oil the six chambers in cylinder. Leave this film of oil on the metal surfaces if revolver is to be stored. If it is not to be stored, or if it is being removed from storage for use, pass a dry patch through barrel and chambers to remove as much oil as possible. (See note on cold weather lubrication.)
10. Check that flannel or brush bristles have not become lodged in any part of revolver, then wipe all external surfaces with a flannel patch moistened with gun oil (See note on cold weather lubrication.)
11. Reassemble revolver by reversing the "Stripping for Cleaning" procedure.
12. Again wipe external surfaces with oil moistened patch to remove any fingerprints. (Finger moisture, if left, could start a corrosion process.) (See note on cold weather lubrication.)
13. Remove any gun cleaning solution and oil from grip.

#### STORAGE

#### **CAUTION: ALWAYS UNLOAD YOUR REVOLVER FOR STORAGE AND STORE AMMUNITION SEPARATELY.**

Store your revolver and ammunition securely locked and in separate locations out of reach and sight of children. (Children are naturally curious and do not always believe the real danger of guns.)

**Note:** Do not store your revolver in an air-tight container, and do not seal or attempt to seal the barrel or chambers to exclude dust, as the internal steel surfaces are more likely to corrode.

## SERVICING AND REPAIR

Should your revolver require adjustment or repair, make sure it is NOT loaded and take it, or send it to the nearest COLT AUTHORIZED REPAIR SERVICE STATION (a list of addresses is provided separately). For spare parts, seek advice from the Dealer who should have up to date information on how best to obtain genuine Colt parts. An illustration and list of part names are included in the next section of this instruction manual to help you identify the part you need, but it is important to note that all parts are not available for sale. Those parts which are available should be installed at a Colt Authorized Repair Service Station. When ordering parts, please give part name as given on the Parts List. Also give the caliber, model name, serial number and metal finish of your revolver, i.e., whether blue or nickel.

**IMPORTANT:** If you make unauthorized adjustments or use unauthorized parts, Colt will not assume responsibility for correct functioning of this revolver.

**Note:** Various Federal and State laws and local ordinances govern the transfer and transportation of firearms, so take the advice of the Dealer in your state on how to send or transport your revolver to a Colt Authorized Repair Service Station. Before shipping your revolver, here are some important points to remember.

**1. CAUTION: MAKE SURE THE FIREARM IS NOT LOADED**

2. Write a letter explaining the problem and your requirements in as much detail as possible. Include the model name and serial number of your firearm together with your return address, then enclose it with the gun in a well padded package.
3. Do not send presentation boxes, accessories or ammunition.
4. A list of Colt Authorized Repair Service Stations is provided with your gun.
5. Do not indicate the contents, or include "COLT" in the address on the package so that an inquisitive thief is not attracted to it by such information.
6. Insure the package contents against loss or theft.

**SECTION 6**

**PARTS ILLUSTRATION AND LIST**

This section is provided so that you may identify names of parts for your own interest. However, for adjustment, repair, or spare parts information, see Section 5, "Servicing and Repair".

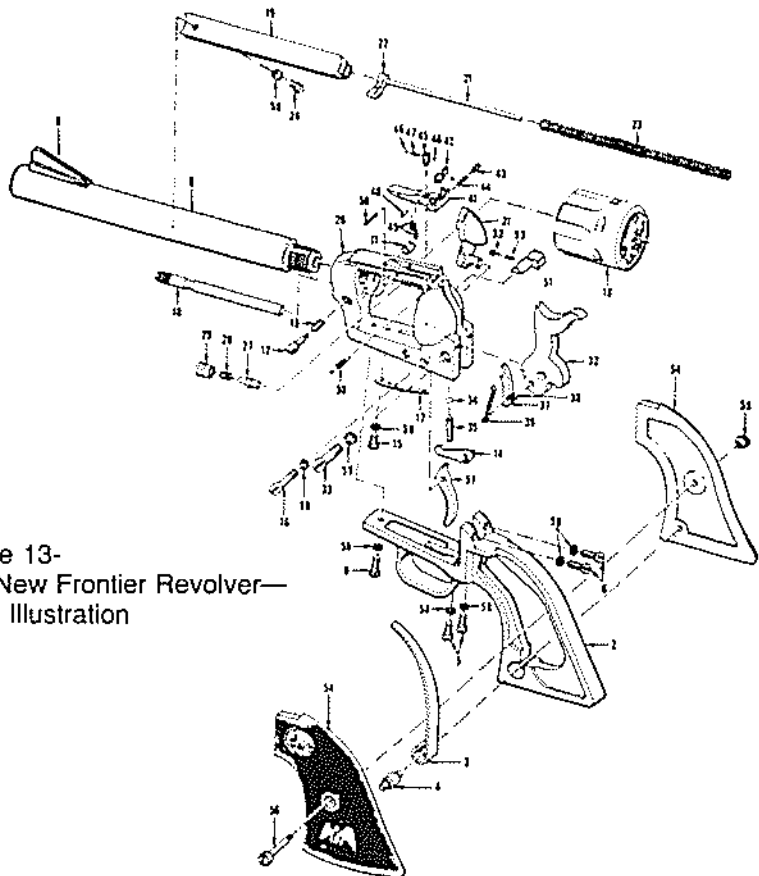


Figure 13-  
Colt New Frontier Revolver—  
Parts Illustration

## DESCRIPTION

- |                                     |                                 |
|-------------------------------------|---------------------------------|
| 1. Backstrap Assy.                  | 31. Gate                        |
| 2. Backstrap                        | 32. Hammer                      |
| 3. Mainspring                       | 33. Hammer Screw                |
| 4. Stock Pin                        | 34. Gate Detent                 |
| 5. Backstrap Screw<br>(Bottom)      | 35. Gate Detent Spring          |
| 6. Backstrap Screw<br>(Front & Top) | 36. Hand Assy.                  |
| 7. Barrel                           | 37. Hand                        |
| 9. Front Sight                      | 38. Hand Post                   |
| 10. Base Pin                        | 39. Hand Spring                 |
| 11. Base Pin Lock Nut               | 40. Rear Sight Assy.            |
| 12. Base Pin Lock Screw             | 41. Leaf                        |
| 13. Base Pin Lock Spring            | 42. Blade                       |
| 14. Bolt                            | 43. Windage Screw               |
| 15. Bolt Spring Screw               | 44. Windage Det. Spring         |
| 16. Bolt & Trigger Screw            | 45. Elevation Screw             |
| 17. Bolt & Trigger Spring           | 46. Elev. Det. Ball             |
| 18. Cylinder                        | 47. Elev. Det. Spring           |
| 19. Ejector Tube                    | 48. Elev. Screw Pin             |
| 20. Ejector Rod Assy.               | 49. Spring Elevation            |
| 21. Ejector Rod                     | 50. Retention Rear<br>Sight Pin |
| 22. Ejector Rod Head                | 51. Safety Bolt                 |
| 23. Ejector Spring                  | 52. Safety Detent               |
| 24. Ejector Tube Screw              | 53. Safety Detent Spring        |
| 26. Frame                           | 54. Stock Assembly              |
| 27. Firing Pin                      | 55. Stock Nut                   |
| 28. Firing Pin Spring               | 56. Stock Screw                 |
| 29. Recoil Plate                    | 57. Trigger                     |
| 30. Recoil Plate Pin                | 58. Washer No. 5                |
|                                     | 59. Washer No. 10               |

Our Colt Custom Shop offers a wide range of special services such as engraving, inlaying and special serializing to the same high standard of quality long synonymous with the name "COLT". Sometimes modifications, which meet our customer's special requirements, necessitate deviations from standard design and manufacturing tolerances which result in functional differences from a standard gun. Consequently, this instruction manual does not apply to a customized gun unless its applicability has been confirmed by the Colt Custom Shop. For further information, write to Colt Firearms, Custom Gun Shop, P.O. Box 1868, Hartford, Connecticut 06102.



**FIREARM RECORD**

Colt Model \_\_\_\_\_

Serial No. \_\_\_\_\_

Caliber \_\_\_\_\_

Purchased  
from \_\_\_\_\_Date  
Purchased \_\_\_\_\_Purchase  
Price \_\_\_\_\_

**WARRANTY STATEMENT**

Based on Magnuson-Moss Warranty Act, Colt offers no express warranty on its product line. However, Colt recognizes its obligations concerning implied warranty. Colt also stands behind its product as it has historically, and will continue to provide service to its product line as it has over the years. Colt products will be serviced for a period of one year from date of retail purchase, for defects in materials or workmanship, at no charge to the purchaser. Be sure to retain your sales slip as proof of purchase date when making a claim.

This instruction manual should always accompany this firearm and be transferred with it upon change of ownership.

If your instruction manual becomes lost or is destroyed, obtain a replacement by writing to COLT FIREARMS, P.O. BOX 1868, HARTFORD, CONNECTICUT 06102. Make a note of the address. When requesting a manual, include the information which is on the left side of your firearm together with its serial number, or quote the Part No. as shown on the back cover of this manual.

## **SIX BASIC SAFETY RULES**

- 1. ALWAYS POINT A GUN IN A SAFE DIRECTION.**
- 2. DO NOT LOAD UNTIL READY TO USE.**
- 3. UNLOAD IMMEDIATELY AFTER USE.**
- 4. ALWAYS ENSURE A GUN IS NOT LOADED BEFORE CLEANING OR DISMANTLING.**
- 5. PRACTICE HANDLING AN EMPTY GUN BEFORE ATTEMPTING TO FIRE.**
- 6. NEVER CARRY THE REVOLVER WITH A CARTRIDGE IN THE FIRING CHAMBER.**

### **Note**

If there is anything you do not understand in this manual, seek advice from someone qualified in the safe handling of firearms.

### **Nota**

Para cualquier aclaración de este manual, consulte con alguna persona perita en el manejo de armas de fuego.