

⚠ WARNING:

BEFORE USING THIS FIREARM, READ AND FOLLOW THESE INSTRUCTIONS

If there is anything you do not understand, get help from someone qualified in the safe handling of firearms.



**SAFETY
AND
INSTRUCTION
MANUAL**

MK IV/SERIES 80-380 AUTO PISTOLS:

**GOVERNMENT MODEL™ GOVERNMENT POCKETLITE™
MUSTANG® MUSTANG® PLUS II™ MUSTANG® POCKETLITE™**

**Copyright © 1993 Colt's Manufacturing Company, Inc. All Rights Reserved.
This instruction manual should always accompany this pistol.
When you lend, give or sell this firearm, be sure this manual goes with it.**

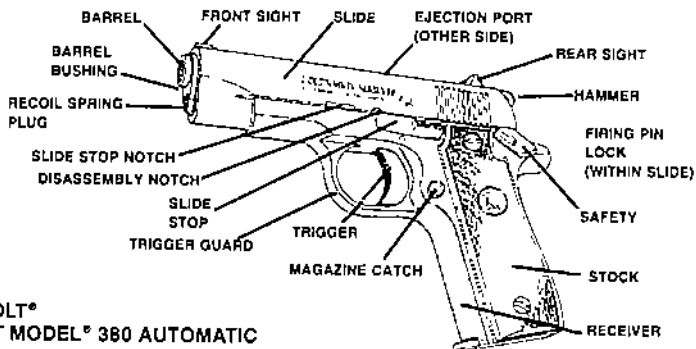


FIGURE 1—COLT®
GOVERNMENT MODEL® 380 AUTOMATIC



CAUTION: ALWAYS KEEP AND CARRY YOUR PISTOL EMPTY, WITH THE HAMMER FORWARD EXCEPT WHEN YOU INTEND TO SHOOT, so that your pistol cannot be fired when you do not mean to fire it.



CAUTION: USE ONLY CLEAN, DRY ORIGINAL HIGH QUALITY COMMERCIALY MANUFACTURED AMMUNITION IN GOOD CONDITION which is appropriate to the caliber of your pistol—see following table and Section 3 Caution 14. And never carry the pistol with a round in the chamber until ready to shoot.

**BARREL
CHAMBERED FOR:**

SUITABLE AMMUNITION:

380 Cal.

380 Auto

READ AND UNDERSTAND ALL THE FOLLOWING PRECAUTIONS BEFORE REMOVING THIS FIREARM FROM ITS PACKAGE.

This Colt product is classified by the Alcohol, Tobacco and Firearms Division of the Internal Revenue Service, U.S. Treasury Department, as a firearm or dangerous weapon; it is, therefore, potentially lethal!



WARNING: IF THIS FIREARM IS CARELESSLY OR IMPROPERLY HANDLED, UNINTENTIONAL DISCHARGE COULD RESULT AND COULD CAUSE INJURY, DEATH, OR DAMAGE TO PROPERTY.



CAUTION: CAREFULLY READ THIS INSTRUCTION MANUAL WHICH GIVES BASIC ADVICE ON THE PROPER HANDLING AND FUNCTIONING OF THIS COLT FIREARM PRIOR TO LOADING AND FIRING. However, your safety and the safety of others (including your family) depends on your mature compliance with that advice, and your adoption, development and constant employment of safe practices.

If unfamiliar with firearms, seek further advice through safe handling courses run by your local gun clubs, NRA approved instructor, or similar qualified organizations.

NOTICE

Colt shall not be responsible for injury, death, or damage to property resulting from either intentional or accidental discharge of this firearm, or from its function when used for purposes or subjected to treatment for which it was not designed. Colt will not honor claims involving this firearm which result from careless or improper handling, unauthorized adjustment or parts replacement, corrosion, neglect, or the use of wrong caliber ammunition, or the use of ammunition other than original high quality commercially manufactured ammunition in good condition, or any combination thereof. Colt will not honor claims involving this firearm for any reason or cause when such claims are made by the second or subsequent owner.

IMPORTANT

Before it left the factory this firearm was tested, carefully inspected, and packaged. Colt cannot control product handling after it leaves the factory; therefore, please examine this firearm carefully at the time of purchase to insure that it is unloaded and undamaged. The dealer will be pleased to assist you in making this examination and endeavor to answer your further questions.

This instruction manual should always accompany this firearm. When you lend, give or sell this firearm, be sure this manual goes with it.

LIST OF SECTIONS

SECTION	TITLE	PAGE	SECTION	TITLE	PAGE
1	PRECAUTIONS	1		Unloading	25
2	Main Features	4		To Unload	25
3	Safety			Firing	27
	Instructions:	5		To Fire	28
	Cautions	5	5	Maintenance:	31
	Safety Features:	13		Stripping for Cleaning	32
	Trigger Guard	13		Assembling after Cleaning	35
	Safety	14		Rectifying a Reversed	
	Safety Stop on Hammer	15		Ejector	40
	Disconnecter	15		When to Clean	43
	Inertia Firing Pin	16		How to Clean and Lubricate	43
	Firing Pin Lock	16		Cleaning the Magazine	45
4	Function:	18		Storage	47
	Ammunition Selection	19		Servicing and Repair	48
	Loading	20	6	Parts Illustration and List	52
	To Load	22	7	The Customized Gun	54
	Carrying Modes	24			

SECTION 2**MAIN FEATURES**

The Government Model 380 Auto and Mustang are compact semi-automatic pistols with many of the features time tested in the Government Model 45. Features include a pivoted trigger, an integral front sight, a redesigned barrel locking system and hammer stop, and a firing pin lock. The Mustang is smaller with a shorter barrel and no barrel bushing. This Safety and Instruction Manual applies to all Colt 380 pistols and to variations of them shown in the table that follows:

Pistol Type	Barrel Length	Finishes	Magazine Capacity	Sights
Colt MK IV/ Series 80 Semi-Automatic Pistols				
Government Model 380 Auto	3¼"	Colt Blue, Stainless Steel or Nickel	7 rounds	Fixed square notch rear. Fixed blade front. Sight radius ¼".
Government Pocketlite 380 Auto	3¼"	Colt Blue	7 rounds	As above.
Mustang 380 Auto	2¾"	As above.	6 rounds	As above but sight radius 3¼".
Mustang Plus II 380 Auto	2¾"	Colt Blue or Stainless Steel	7 rounds	As above.
Mustang Pocketlite	2¾"	Colt Blue	6 rounds	As above.

NOTE: These features may change, for example, with the introduction of a new size pistol or choice of finishes.

We want you to enjoy shooting your Colt pistol, but we want you to enjoy it safely. You may be an experienced safe shooter already familiar with the procedures in this instruction manual, or you may never have handled a gun before. Either way we urge you to READ THIS ENTIRE INSTRUCTION MANUAL CAREFULLY. YOU MUST FOLLOW THE SAFETY INSTRUCTIONS FOR YOUR SAFETY AND THE SAFETY OF OTHERS.



WARNING: When you squeeze the trigger, you must expect the gun to fire, and you must take full responsibility for firing it. Your care can avoid accidental discharge, and you will thereby avoid accidental injury and death.

CAUTIONS:



GENERAL HANDLING CAUTIONS

1. ALWAYS HANDLE YOUR PISTOL AS IF IT WERE LOADED so that you never fire it accidentally when you think it is unloaded.
2. NEVER POINT YOUR PISTOL AT ANYTHING YOU DO NOT INTEND

TO SHOOT so that if it fires accidentally, injury, death, or damage to property will be prevented.

3. NEVER TAKE ANYONE'S WORD THAT A GUN IS UNLOADED: check for yourself with fingers off the trigger and gun pointed in a safe direction, so that you never fire the gun accidentally when you think it is unloaded.

4. ALWAYS MAKE SURE YOUR PISTOL IS NOT LOADED AND SLIDE IS LATCHED OPEN BEFORE LAYING IT DOWN, OR HANDING IT TO ANOTHER PERSON, so that it cannot be fired when it is unsafe to do so.

5. ALWAYS KEEP AND CARRY YOUR PISTOL EMPTY, WITH THE HAMMER FORWARD except when you intend to shoot, so that your pistol cannot be fired when you do not mean to fire it.

6. ALWAYS BE AWARE OF POSSIBLE RISK FROM DROPPING YOUR PISTOL. Some parts of the mechanism could be damaged. You may not see the damage but if it is severe, the pistol may discharge and cause injury, death, or damage to property. If your pistol has been dropped, have it examined by a competent gunsmith before using it again.

7. **NEVER LEAVE PISTOL COCKED READY TO FIRE** as this condition is extremely dangerous, and pistol could easily be accidentally discharged, causing injury, death, or damage to property.

8. **NEVER LEAVE A LOADED PISTOL UNATTENDED.** Someone, especially a child, may fire it and cause injury, death, or damage to property.

9. **ALWAYS INSTRUCT CHILDREN TO RESPECT FIREARMS.** If you teach your children to shoot, teach them or get them trained by a qualified instructor to treat and use the pistol properly, and always supervise them closely. Always stress safety so that your children will not fire the pistol when it is unsafe to do so.



RANGE CAUTIONS

10. **ALWAYS BE SURE YOUR BACKSTOP IS ADEQUATE** to stop and contain bullets before beginning target practice so that you do not hit anything outside the range shooting area. **THINK!** *What will you HIT if you MISS the target?*

11. **ALWAYS PUT A KNOWLEDGEABLE AND RESPONSIBLE PERSON IN CHARGE TO MAINTAIN SAFETY CONTROL WHEN A GROUP IS FIRING ON A RANGE.** Obey his commands so that discipline is maintained to reduce the likelihood of accidents.

SAFETY DEPENDS ON YOU

12. ALWAYS CARRY YOUR PISTOL EMPTY WITH SLIDE LATCHED OPEN WHILE ON A RANGE until preparing to fire, keep it pointing towards the backstop when loading, firing and unloading, to eliminate the risk of injury, death, or damage to property.



LOADING/UNLOADING CAUTIONS

13. ALWAYS BE SURE BARREL BORE, CHAMBER AND ACTION ARE CLEAN AND CLEAR OF OBSTRUCTIONS. Clean a fouled pistol immediately so that it will function correctly and safely.

14. ALWAYS USE ONLY CLEAN, DRY, ORIGINAL HIGH QUALITY COMMERCIALY MANUFACTURED AMMUNITION IN GOOD CONDITION WHICH IS APPROPRIATE TO THE CALIBER OF YOUR PISTOL. (See inside cover). Gun and ammunition manufacturers design their products within exacting engineering safety limits. Handloads and remanufactured ammunition are sometimes outside those limits and can be so unsafe as to blow up the chamber, slide and receiver and cause injury, death, or damage to property.



SHOOTING CAUTIONS

15. NEVER DRINK ALCOHOLIC BEVERAGES OR TAKE DRUGS BE-



SAFETY DEPENDS ON YOU

FORE OR DURING SHOOTING, as your vision, coordination and judgment could be seriously impaired making your gun handling unsafe.

16. ALWAYS SEEK A DOCTOR'S ADVICE IF YOU ARE TAKING MEDICATION, to be sure you are fit to shoot and handle your pistol safely.

17. ALWAYS WEAR AND ENCOURAGE OTHERS TO WEAR EAR PROTECTION WHEN SHOOTING, especially on a range. Without ear protection, the noise of even one shot from your pistol, and other guns close to you, could leave a "ringing" in the ears for some time after firing, when the cumulative long term effect could be permanent hearing loss.

18. ALWAYS WEAR AND ENCOURAGE OTHERS TO WEAR PROTECTIVE SHOOTING GLASSES. Flying particles could damage eyes and cause blindness; but protective shooting glasses should prevent such injury.

19. ALWAYS KEEP THE SAFETY ON WHEN PISTOL IS LOADED AND COCKED UNTIL YOU ARE READY TO FIRE. This will minimize risk of an accidental discharge.

20. ALWAYS KEEP CLEAR AND KEEP OTHERS CLEAR OF THE EJECTOR

TION PORT. Spent cartridges are ejected with enough force to cause injury. The ejection port must also be unobstructed by your hand to insure safe ejection of live rounds. Never place fingers in ejection port; they could be burned by hot metal or injured by the slide moving forward.

21. NEVER SQUEEZE THE TRIGGER OR PUT YOUR FINGER IN THE TRIGGER GUARD UNTIL YOU ARE AIMING AT A TARGET AND READY TO SHOOT. This will prevent you from firing the pistol when it is pointing in an unsafe direction.

22. ALWAYS BE ABSOLUTELY SURE OF YOUR TARGET AND THE AREA BEHIND IT BEFORE YOU SQUEEZE THE TRIGGER. A bullet could travel through or past your target up to 1½ miles . . . If in doubt, don't shoot. **THINK! *What will you HIT if you MISS the target?***

23. NEVER SHOOT AT A HARD SURFACE SUCH AS ROCK, OR A LIQUID SURFACE SUCH AS WATER. A bullet may ricochet and travel in any direction to strike you, or an object you cannot see, causing injury, death, or damage to property.

24. NEVER DISCHARGE A FIREARM NEAR FLAMMABLE MATERIAL. Flame and sparks erupt from the firearm when discharged. They could start a fire or cause flammable liquids and gases to explode.

25. NEVER FIRE YOUR PISTOL NEAR AN ANIMAL unless it is trained to accept the noise; an animal's startled reaction could injure it or cause an accident

26. NEVER INDULGE IN "HORSEPLAY" WHILE HOLDING YOUR PISTOL as it may be accidentally discharged.

27. NEVER WALK, CLIMB OR FOLLOW A COMPANION WITH YOUR PISTOL COCKED READY TO FIRE, out of its holster, or with the hammer in any position other than forward on an empty chamber, to eliminate risk of accidental discharge. When hunting, hold your pistol so that you can always control the direction of the muzzle.



MALFUNCTION CAUTIONS

28. FAILURE TO FIRE: ALWAYS HOLD THE PISTOL, KEEPING IT POINTED TOWARD THE TARGET OR A SAFE OPEN AREA AND WAIT 30 SECONDS when the pistol fails to fire. If a hangfire (slow ignition) has occurred, round will fire within 30 seconds. If round does not fire, remove magazine, eject round and examine primer; if firing pin indent or primer is light, off center, or non-existent, have the pistol examined by a competent gunsmith before firing again. If firing pin indent on primer appears normal (in comparison with similar previously fired rounds) assume faulty ammunition; segregate misfired round from other live

ammunition and empty cases, reload and carry on firing.

NOTE: Dispose of misfired rounds in accordance with ammunition manufacturer's instructions.

29. NEVER USE YOUR PISTOL IF IT FAILS TO FUNCTION PROPERLY, AND NEVER FORCE A JAMMED ACTION, as a round may explode causing serious injury, possible death, or severe damage to your pistol.



CLEANING AND STORAGE CAUTIONS

30. ALWAYS MAKE SURE YOUR PISTOL IS NOT LOADED BEFORE CLEANING, STORING, TRAVELING, LAYING IT DOWN, OR HANDING IT TO ANOTHER PERSON, so that it cannot be fired when it is unsafe to do so.

31. ALWAYS KEEP AND STORE YOUR PISTOL AND AMMUNITION IN SEPARATE LOCKED RECEPTACLES OUT OF REACH AND SIGHT OF CHILDREN AND UNTRAINED PEOPLE, to minimize the risk of pistol and ammunition being easily available for loading and firing.



GUN ABUSE CAUTION

- 32. NEVER ABUSE YOUR PISTOL** by using it for any purpose other than shooting.
- 33. NEVER DRY FIRE THE PISTOL WHEN THE SLIDE IS REMOVED FROM THE RECEIVER,** and do not alter parts as the level of safety could be reduced.

NOTE: Please note that we have chosen to use the word "SQUEEZE" in this instruction manual instead of "PULL" or "PRESS" when trigger movement is described; this is simply to remind you of the need for a gentle squeezing action to achieve accuracy.

SAFETY FEATURES

Colt MK IV/Series 80 380 Auto semi-automatic pistols incorporate several positive safety devices which, if properly employed, can minimize the danger of accidental firing. These safety devices are described on the following pages.

Trigger Guard

The Trigger Guard is a metal loop around the trigger to protect it from damage and to help prevent accidental discharge.

SAFETY DEPENDS ON YOU

Safety

The Safety is located on the left rear of the receiver just below the slide. The Safety can be applied when the hammer is cocked with the slide either forward or back. When the hammer is cocked and the Safety pushed up, an internal cam surface blocks hammer movement without interfering with the sear mechanism. When the Safety is down, the hammer is free to move to fire the pistol when the trigger is squeezed.

To apply the Safety, point pistol in a safe direction and keep fingers outside the trigger guard; with hammer fully cocked push the Safety up. (See Figure 2) To release the Safety, push it down and the pistol is ready to fire.

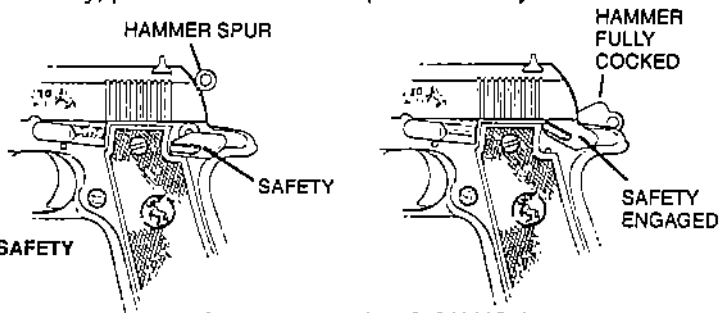



FIGURE 2—SAFETY

Safety Stop on Hammer

The Safety Stop is a flat, shelf-like surface on the hammer which functions as an automatic safety device. It will engage the sear in the unlikely event of primary sear notch failure. This will prevent the hammer from falling fully forward unintentionally and will insure against uncontrolled automatic fire. It also prevents the hammer from striking the firing pin should your hand slip from the slide or hammer while cocking the pistol, provided the hammer is rotated past the Safety Stop. It is located such that when the sear engages the Safety Stop, the sear can be disengaged by squeezing the trigger to allow the hammer to fall forward. The hammer will fall when you squeeze the trigger. It falls because the sear slides over the flat part of the safety stop to release the hammer. This is intentional but will not allow the pistol to fire. It will not fire because the hammer is already almost fully forward when it is released from the sear. *The Safety Stop is not a manual safety and should not be engaged by hand.*

 **CAUTION: ALWAYS POINT PISTOL IN A SAFE DIRECTION WHEN SQUEEZING THE TRIGGER TO LOWER THE HAMMER.** This will avoid accidental injury in the unlikely event of pistol discharge, but lowering the hammer in this way should be done only when the chamber is empty.

Disconnecter

This safety device prevents a round being fired before it is in the chamber with slide and barrel locked. When slide is not fully forward the Disconnecter is depressed; its lower part disengages the sear, so that the hammer cannot be released if the trigger is squeezed. However, when slide and barrel are locked, a spring pushes the Disconnecter up into a recess in the slide; this links trigger and sear so that the pistol can be fired by squeezing the trigger.



CAUTION: NEVER ATTEMPT TO CHECK OR DEMONSTRATE THE DISCONNECTOR FUNCTION WITH A LOADED PISTOL.


Pushing on the muzzle with your hand or any other portion of the body is extremely dangerous and could result in accidental discharge causing injury, death, or damage to property.

Inertia Firing Pin

The Firing Pin, which is shorter than its housing, is held to the rear by a spring and cannot protrude through face of slide unless a hammer blow overcomes the spring force and the inertia of the pin. This will occur when the hammer falls.

Firing Pin Lock

The Firing Pin Lock engages the firing pin to prevent its movement until the trigger is squeezed. Housed in the slide, the Firing Pin Lock is spring loaded into engagement with the firing pin to prevent it striking the cartridge primer. Squeezing the trigger disengages the Firing Pin Lock before the sear releases the hammer to strike the firing pin and discharge the pistol. This safety device minimizes the risk of accidental discharge through mishandling such as when a loaded pistol is dropped or receives a blow to the muzzle.

 **CAUTION: DO NOT CARRY YOUR PISTOL WITH THE HAMMER DOWN ON A LIVE CARTRIDGE.** To do so means you must lower the hammer. To lower the hammer you must squeeze the trigger. When you squeeze the trigger you disengage the firing pin lock. This is not a safe condition. Instead, we urge you to follow the instructions in this manual. When you do, you can enjoy the safe use of your pistol.

IMPORTANT: These safety devices are designed and installed in this pistol to prevent accidental discharge. Of course, this Colt pistol is designed primarily to discharge bullets, and it will do this efficiently when it is loaded and you squeeze the trigger. *Always expect the gun to fire when you squeeze the trigger.*

A Colt MK IV/Series 80 380 Auto semi-automatic pistol is ready to fire when a loaded magazine is inserted into the pistol, the slide pulled back to cock hammer, and released to travel forward and feed a round from the magazine into the chamber. Final forward slide movement locks barrel and slide together and deactivates the disconnecter.

When the trigger is squeezed the ejector disengages the firing pin lock just before the sear disengages from the hammer. The hammer pivots forward under the force of the mainspring to strike the rear of the firing pin. The firing pin is driven forward to strike the primer in base of the cartridge.

The energy imparted to the primer ignites it; the primer in turn ignites the main powder charge which, in burning, rapidly generates extremely high gas pressure to drive the bullet down the barrel. Rifling grooves in the barrel impart stabilizing spin to the bullet so that it will follow a more accurate path to the target when it leaves the muzzle.

Force rearward on the slide breech face starts slide and barrel on their rearward travel; however, the slide unlocks from the barrel only after gas pressure is reduced to a safe level. Rearward slide travel depresses the

disconnecter, carries spent cartridge rearward on extractor until base of cartridge is struck by ejector to propel it through ejection port. Slide movement continues under momentum to fully cock the hammer. If last round has been fired, the magazine follower will activate the slide stop to hold slide to rear, but if a round remains in magazine, the slide will move forward to feed and lock the next round in the chamber. The trigger must be released and squeezed again to fire the next round.

AMMUNITION SELECTION

Colt firearms are designed to function with a variety of brands and types of factory-manufactured ammunition in the appropriate caliber; but not all ammunition produces the same result. Colt recommends that after you read and understand this manual, you go to the range and fire different ammunition which is appropriate to the caliber of your firearm. Once you find the ammunition which functions best, keep using it. **Every time before loading your pistol, examine the ammunition, particularly on and around the primer. Look for dents, scratches and other signs of damage. Do not load damaged ammunition.**

Note: The use of enhanced or high performance ammunition will accelerate wear in aluminum Pocketlite pistols.

SAFETY DEPENDS ON YOU

LOADING



CAUTION: TO MINIMIZE RISK OF UNINTENTIONAL DISCHARGE, LOAD LIVE AMMUNITION INTO PISTOL ONLY WHEN YOU INTEND TO SHOOT, AND THEN KEEP AN EMPTY CHAMBER UNDER THE HAMMER.




CAUTION: ALWAYS EXERCISE EXTREME CARE TO KEEP MUZZLE POINTING IN A SAFE DIRECTION, WELL CLEAR OF YOUR BODY, particularly when loading and unloading.

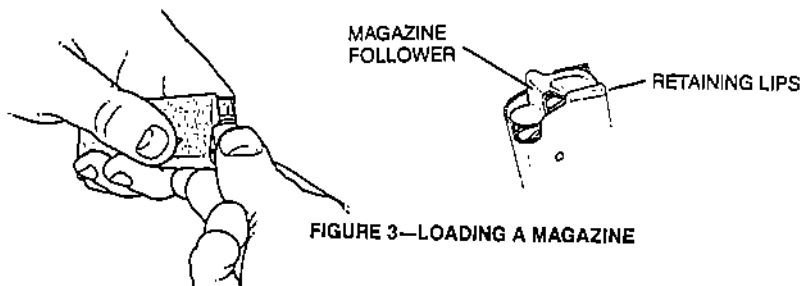
To Load A Magazine:



- 1. CAUTION:** READ SAFETY INSTRUCTIONS (Section 3).
- Use only ammunition recommended inside front cover of this instruction manual as suitable for your pistol. **Examine the ammunition, particularly on and around the primer. Look for dents, scratches, and other signs of damage. Do not load damaged ammunition.**

3. With open end uppermost, grasp magazine in one hand. Place a round on magazine follower with base just forward of retaining lips (see Figure 3). Press round down and back until base of round touches rear flat edge of magazine. Place next round on top of previous round and press down and back. Repeat until magazine is loaded, but do **NOT** exceed its capacity. For magazine capacity, see Section 2—Main Features.

 **CAUTION: TO MINIMIZE RISK OF UNINTENTIONAL DISCHARGE, LOAD LIVE AMMUNITION INTO PISTOL ONLY WHEN YOU ARE ABOUT TO SHOOT.**



SAFETY DEPENDS ON YOU

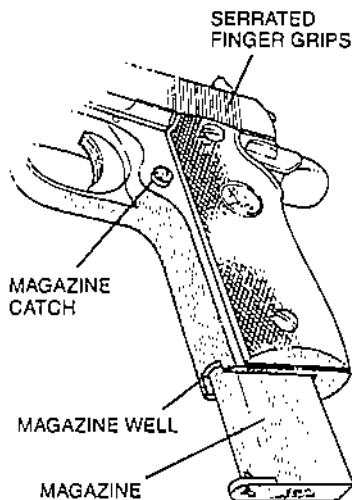
To Load The Pistol:



1. **CAUTION: READ SAFETY INSTRUCTIONS (Section 3)—KEEP PISTOL POINTING IN SAFE DIRECTION AND DO NOT TOUCH THE TRIGGER.**

2. Remove magazine from pistol. Place your hand under magazine to prevent it from falling. Press magazine catch (located on left of pistol behind trigger guard) to drop the magazine out of the magazine well. (See Figure 4)

3. Hold pistol by stock with one hand. Keep other hand clear of ejection port and grasp serrated finger grips on both sides of slide. Pull slide back slightly and **LOOK IN CHAMBER TO ENSURE IT IS EMPTY**; allow slide to return forward. (If slide was fully to rear, release cocked hammer by squeezing trigger after ensuring chamber is empty.)



**FIGURE 4—
MAGAZINE PARTIALLY INSERTED**

4. Insert loaded magazine into magazine well with bullets pointing forward. Push magazine fully "home" until magazine catch is heard to "click" locking it in place.

IMPORTANT: Do not strike base of magazine to drive it home—just push it firmly into pistol. Otherwise, you could damage magazine and injure your hand.

5. When you are ready to shoot, grip the slide as described in Step 3 and pull it fully rearward to cock the hammer. Release slide to feed a round from the magazine into the chamber. **THE PISTOL IS NOW LOADED, COCKED AND READY TO FIRE.**

6. Apply Safety by pushing it up to prevent the hammer falling forward if trigger is moved.



CAUTION: NEVER LEAVE PISTOL COCKED AND READY TO FIRE (as in Step 5) as this condition is extremely dangerous; pistol could easily be accidentally discharged, causing injury, death, or damage to property.

CARRYING MODES

NOTE: This pistol may be carried in any one of the following three modes according to your needs:

Mode 1: — **MAGAZINE EMPTY, CHAMBER EMPTY.**

- Pistol cannot be discharged.
- Use Mode 1 for storage, transporting, cleaning, repair, demonstrating and dry practice.

Mode 2: — **MAGAZINE LOADED, CHAMBER EMPTY, HAMMER DOWN.**

- Pistol cannot be fired until slide is cycled and trigger is squeezed.
- Use Mode 2 when **CARRYING THE PISTOL READY FOR USE.**

Mode 3: — **MAGAZINE LOADED, CHAMBER LOADED, HAMMER COCKED, SAFETY ON.**

- Pistol can be fired when slide lock safety is off and trigger is squeezed.
- Use Mode 3 when you **MUST BE PREPARED** to use the pistol **IMMEDIATELY** without warning.



WARNING: When you squeeze the trigger, you must expect the gun to fire, and you must take full responsibility for firing it. Your care can avoid accidental discharge, and you will thereby avoid accidental injury and death.

UNLOADING



CAUTION: ALWAYS UNLOAD YOUR PISTOL IMMEDIATELY AFTER USE AND BEFORE CLEANING AND STORAGE to minimize the risk of accidental discharge.

To Unload:

1. Be sure you are familiar with Safety Instructions in Section 3. Keep pistol pointing in a safe direction, do not touch trigger and always keep hands away from muzzle and ejection port.
2. Place hand under magazine to prevent it from falling and press magazine catch to release and eject magazine.

NOTE: If slide is fully rearward, Step 3 does not apply.

3. Using serrated finger grips pull slide sharply rearward to extract and eject a round from the chamber. Keep your hands clear of the ejection port to

allow round to eject without obstruction. Examine previously chambered round for dents or other damage; if damaged, dispose of it as explained in Paragraph 7.



4. CAUTION: KEEP PISTOL POINTING IN A SAFE DIRECTION WHILE YOU LOOK IN THE CHAMBER TO ENSURE IT IS EMPTY AND SEE THAT MAGAZINE HAS BEEN REMOVED.

5. Keep pistol pointing in a safe direction, allow slide to return forward on empty chamber and squeeze the trigger to allow hammer to fall forward. (If slide is held to rear by the slide stop, pull slide back slightly, then release it.)

6. Remove remaining live rounds by sliding them forward out of the magazine.

7. Collect undamaged live ammunition for safe storage and future use. Collect spent cartridge cases for disposal. **Segregate misfired and damaged live ammunition for disposal according to ammunition manufacturer's instructions.**

FIRING

Before firing your Colt pistol, practice your stance, aim, rhythm and breathing for steady aim with your pistol UNLOADED.

Practice firing on a range before going hunting or using your pistol for any other type of shooting.



CAUTIONS:

- 1. ALWAYS WEAR AND ENCOURAGE OTHERS TO WEAR EAR PROTECTION WHEN SHOOTING, especially on a range.** Without ear protection, the noise of just one round from your pistol, and other guns close to you, could leave a "ringing" in your ears for some time after firing, while the cumulative long term effect could be permanent hearing loss.
- 2. ALWAYS WEAR AND ENCOURAGE OTHERS TO WEAR PROTECTIVE SHOOTING GLASSES.** Flying particles could damage eyes and cause blindness; but protective shooting glasses should prevent such injury.

To Fire



1. **CAUTION:** READ SAFETY INSTRUCTIONS (Section 3)—KEEP PISTOL POINTING IN SAFE DIRECTION AND DO NOT TOUCH THE TRIGGER.

2. Load pistol as previously described.

3. Grasp pistol by stock and, keeping your finger outside the trigger guard, take aim. Aim by aligning target with front and rear sights. (See Figure 5). After identifying your target and seeing that it is clear to shoot, focus on the front sight. Be sure you have a safe backstop. THINK! What you will HIT if you MISS the target.

4. Release the Safety by pressing it down.

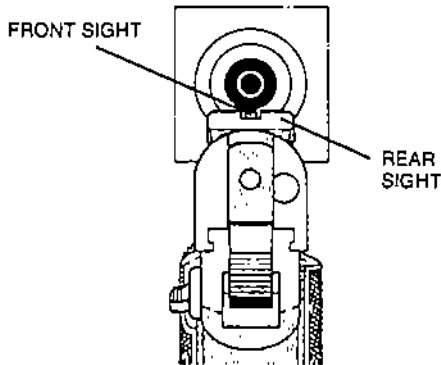


FIGURE 5—AIMING

5. Keeping steady aim, place index finger on trigger and squeeze gently until hammer falls. Don't jerk the trigger as you will disturb your aim and spoil your accuracy. To fire the second and subsequent rounds, all that is necessary is to release the trigger and squeeze it again after every shot until you have completed firing.

6. THIS IS A SEMI-AUTOMATIC PISTOL AND IS IMMEDIATELY LOADED AND COCKED READY TO FIRE AGAIN AFTER EACH SHOT UNTIL THE MAGAZINE IS EMPTY.

NOTE: This pistol can be fired without a magazine in place.

7. Release trigger, remove index finger from trigger, and apply the Safety by pushing it up.




CAUTION: IF PISTOL FAILS TO FIRE, HOLD IT, KEEPING IT POINTED TOWARD THE TARGET OR SAFE OPEN AREA AND WAIT 30 SECONDS. If a hangfire (slow ignition) has occurred, round will fire within 30 seconds. If round does not fire, remove magazine, eject round and examine primer. If firing pin indent on primer is light, off center or non-existent, have pistol examined by a competent gunsmith before firing again. If firing pin on primer appears normal (in comparison with similar previously fired rounds) assume faulty ammunition; segregate

misfired round from other live ammunition and empty cases; reload and carry on firing.

NOTE: Dispose of misfired rounds in accordance with the ammunition manufacturer's instructions.

-  **8. CAUTION: KEEP PISTOL POINTING IN A SAFE DIRECTION. Unload as previously described.**

IMPORTANT: If you cock your pistol but do not fire it, apply the Safety until ready to fire. If you lose the opportunity to fire, unload your pistol as previously described. Remember, if a round is in the chamber there is a risk of accidental discharge.

-  **CAUTION: NEVER LEAVE PISTOL COCKED READY TO FIRE as the fire condition is extremely dangerous, and pistol could easily be accidentally discharged causing injury, death, or damage to property.**

Like any other precision mechanism, your pistol will function better, last longer, and remain safer when it is properly maintained. Follow the advice in this section to keep your pistol in peak condition. Keep your pistol clean and properly lubricated to prolong its reliable life.

**CAUTIONS:**

1. **ENSURE THAT MAGAZINE IS REMOVED AND THE PISTOL IS NOT LOADED BEFORE STRIPPING AND CLEANING**, so that pistol will not fire.
2. **WEAR SAFETY GLASSES** in case you lose control of some spring loaded component such as the recoil spring or plug which could injure your eyes.
3. **NEVER DRY FIRE THE PISTOL WHEN THE SLIDE IS REMOVED FROM THE RECEIVER**, and do not alter parts as the level of safety could be reduced.

NOTE: Force is unnecessary and should never be used to strip or assemble your pistol.

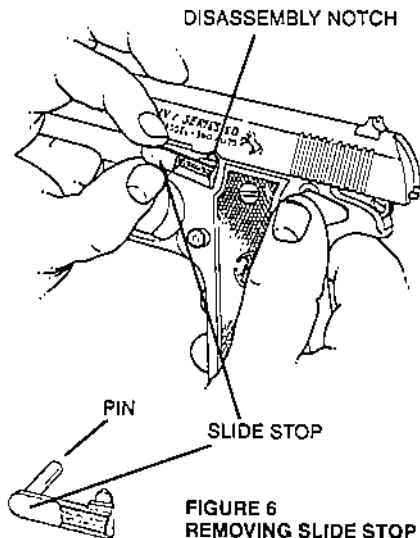
STRIPPING FOR CLEANING

Differences between Models make it necessary to identify them separately in the following procedure.

A = Government Model 380 Automatic and Government Pocketlite.

B = Mustang, Mustang Plus II and Mustang Pocketlite.

1. (**A & B**) Ensure magazine is removed and pistol is NOT loaded. Be sure you are familiar with the Safety Instructions in Section 3.
2. (**A & B**) Cock hammer by pulling back on hammer spur.
3. (**A & B**) Pull slide to rear until lug on slide stop is opposite disassembly notch. (See Figure 6) Push rounded end of pin of slide stop (on right of receiver) inward and through receiver to disengage slide stop from slide.



4. (A & B) Lift out slide stop. (See Figure 6)
5. (A & B) Push slide forward off the receiver.



CAUTION: THE SPRINGS ARE STRONG AND COULD FLY OUT AND INJURE OR EVEN BLIND SOMEBODY if they are not handled with care.

6. (A) With muzzle pointing upward, press down on recoil spring plug (located just below muzzle) and at same time rotate barrel bushing clockwise about $\frac{1}{4}$ turn; this will free plug and recoil spring. Keep pressure on plug to prevent it being ejected violently by the spring, then allow plug and spring to gradually extend out of the slide. (See Figure 7)

7. (A) Turn barrel bushing counterclockwise, then remove bushing from slide.

6. (B) Take up tension of recoil springs, then lift springs and recoil

RECOIL SPRING
PLUG BARREL
 BUSHING

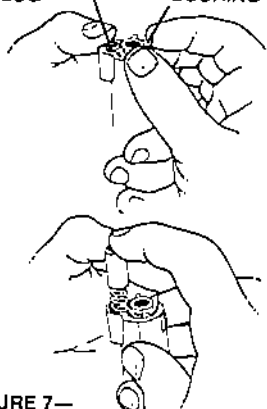


FIGURE 7—
RELEASING RECOIL SPRING TENSION
ON GOVERNMENT MODEL 380 AUTO

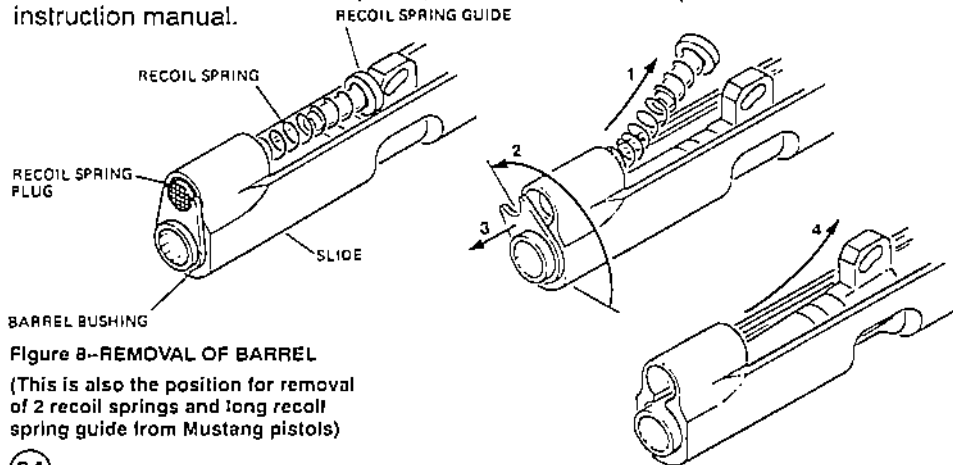
SAFETY DEPENDS ON YOU

spring guide up and out of the slide. (See Figure 8)

7. (B) Separate two springs, guide and washer.

8. (A & B) Remove barrel through rear of slide.

IMPORTANT: Do not strip your pistol further than previously described. If additional maintenance is required, see "Service and Repair" later in this instruction manual.



ASSEMBLING AFTER CLEANING

Remember

A = Government Model and Pocketlite.

B = Mustang, Mustang + II and Mustang Pocketlite.

(A&B) With slide upside down assemble barrel into it, as in Figure 8.

(A only) See Figure 9A. Place barrel bushing over end of barrel until it is flush with the face of the slide, (Step 1). Then turn bushing clockwise as far as it will go (Step 2). Assemble the recoil spring and recoil spring guide so that guide rests against front face of barrel lug, while other end of spring sticks out through front of slide (Step 3).

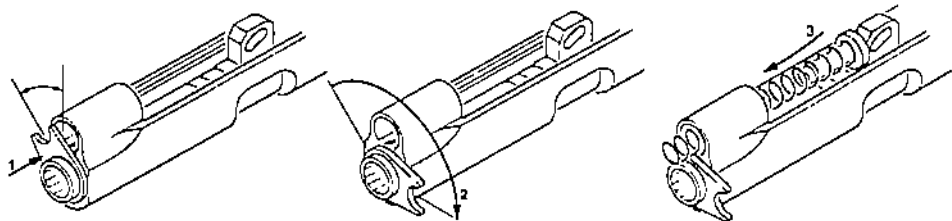


Figure 9A—ASSEMBLING RECOIL SPRING (A Only)

SAFETY DEPENDS ON YOU

(A only) See Figure 9B. Place recoil spring plug over end of recoil spring (Step 4) and push in until plug is level with face of slide (Step 5). Now turn barrel bushing counter clockwise (Step 6) until it straddles the plug to hold it secure (Step 7). At this point, the recoil spring guide is held against the barrel lug only by force of the compressed spring.

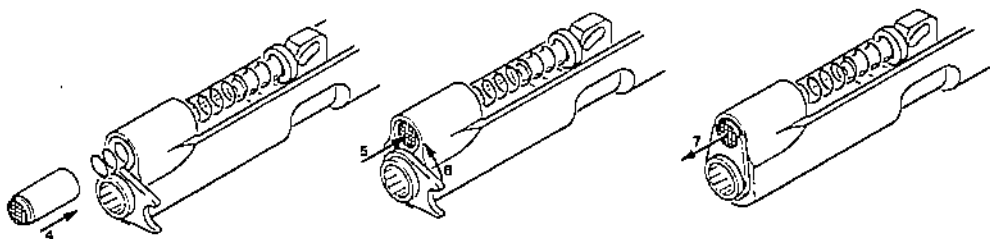


Figure 9B-ASSEMBLING RECOIL SPRING (A Only)

(B only) Note: There is no barrel bushing or recoil spring plug on Mustangs but they do have (2) recoil springs and a washer on the recoil spring guide.

See Figure 10. Assemble one recoil spring inside the other with coils in opposite directions. Assemble the springs to the recoil spring guide only after the washer is in place on the guide. Place the whole assembly into the slide and compress the springs until the recoil spring guide is held in place against the front face of the barrel lug.

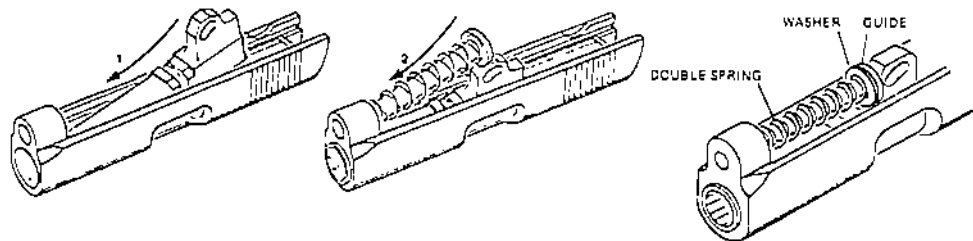


Figure 10—ASSEMBLING BARREL AND RECOIL SPRING (B ONLY)

(A&B) Put the slide and barrel assembly onto the receiver.

(A&B) With the hammer cocked run the slide onto the receiver rails.

Note: Keeping the hammer cocked will put less spring force on the slide for ease of assembly.

SAFETY DEPENDS ON YOU

(A&B) See Figure 11. If the ejector is sticking up, gently push it down until it is just below the level of the receiver rail (Step 1). This will allow the slide to pass over it (Step 2).

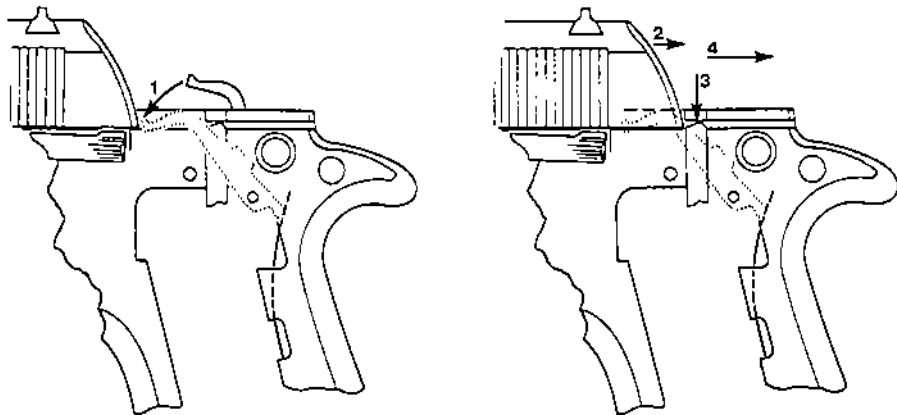


Figure 11 — ASSEMBLING SLIDE TO RECEIVER (A&B)

Note: The ejector will normally return to its upright position when a magazine is installed. However, if you push the ejector down too far, it may reverse itself against the sear spring. It will then be left sticking down into the magazine well. If this happens, see "Rectifying a Reversed Ejector" on page 40 and do not attempt to insert a magazine with the ejector in this position.

(A&B) As the slide moves along the receiver (Step 2) it may ride over the disconnecter. But if slide stops against the disconnecter, push it down (Step 3) and push the slide over it (Step 4).

(A&B) Keep pushing the slide along the receiver. Look through the slide stop hole in the receiver until the barrel lug hole is in line with it. Insert the slide stop through the slide stop hole until it is almost home. Continue to push the slide rearward until the disassembly notch lines up with rear part of the slide stop. This will allow slide stop to be pushed fully home; see Figure 12.

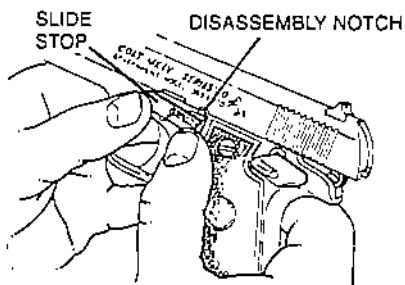


Figure 12 — INSTALLING SLIDE STOP

(A&B) Exercise the slide back and forward a few times and squeeze the trigger to dry fire the pistol. See that it functions properly. When the slide is back and open also look into the ejection port to see that the firing pin is not sticking forward and that the ejector is up in its correct position. If it is not, first make sure it is not reversed into the magazine well then insert a magazine. Pull back the slide and check the ejector again.

RECTIFYING A REVERSED EJECTOR

If you push the ejector down too far when you are assembling the pistol, the ejector may reverse itself. It will then hang upside down inside the magazine well. When this happens the reverse side of the tail of the ejector becomes lodged against the sear spring to hold it in this position.



CAUTION: WITH THE EJECTOR REVERSED DO NOT ATTEMPT TO INSTALL A MAGAZINE BECAUSE YOU COULD DAMAGE THE EJECTOR.

A reversed ejector can be rectified with the aid of a screw driver, Figure 13 and the description that follows.

1. Remove slide from receiver.
 2. Remove four (4) stock screws and stock set from receiver. Be careful to retain the small plunger behind the safety. Sometimes it can fly out as the stock is removed.
 3. Cock hammer. Turn pistol upside down and keep it that way.
- Note:** Cocking hammer should ease sear spring movement, while keeping pistol upside down should allow ejector to return to its proper position. See Figure 13.

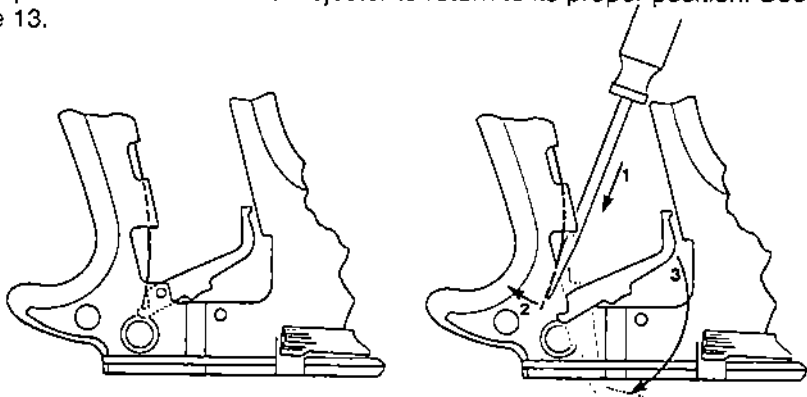


Figure 13-RECTIFYING A REVERSED EJECTOR

SAFETY DEPENDS ON YOU

4. Insert screwdriver down through magazine well from base of grip. Rest tip of screwdriver against the sear spring.

5. Use screwdriver as lever to push the sear spring away from where it bears against the tail of the ejector. Be careful not to touch the sear or any other part of the mechanism with the screwdriver.

Note: As sear spring moves out of contact with the ejector, the ejector should fall back into its proper position. This should happen provided you have kept the pistol upside down and moved the sear spring out of the way of the ejector.

6. If ejector does not move, make sure you have pushed the sear spring away from the ejector and use your finger to help the ejector move into its proper position.

7. Remove screwdriver from magazine well and reassemble stock set taking care to tighten all four (4) screws firmly but without over tightening.

8. Completely reassemble pistol as described previously in this manual, and **take even greater care when pushing the ejector down this time.**

WHEN TO CLEAN

You should clean your pistol as soon after firing as possible so that the job will be easier and there will be less opportunity for corrosion to start. When your pistol has not been fired, clean it periodically; we suggest once or twice a year in a temperate climate, or as often as once a month in a tropical climate. If you carry a loaded pistol, UNLOAD it and clean it at least once a month. If you get your pistol wet, clean it as soon as possible.

HOW TO CLEAN AND LUBRICATE

The following cleaning procedure may be used both periodically and after firing; however, those items marked "*" are unnecessary for periodic cleaning.

Materials: Cleaning rod, cotton flannel patches (cut to fit snugly into the bore), a small toothbrush, good quality light gun oil, *gun cleaning solution, and *a brass wire bristle bore cleaning brush.

NOTE: In freezing conditions (below 32°F or 0°C) avoid the use of oil for lubrication; instead apply dry lubricant sparingly.

Procedure



1. **CAUTION: ENSURE THAT THE PISTOL IS NOT LOADED.**

2. Strip for cleaning as previously described.

NOTE: Avoid contact between cleaning rod and muzzle as resultant wear will reduce accuracy. To avoid damaging the muzzle always clean from breech end forward.

3. Attach cotton flannel patch to end of cleaning rod, insert it in breech and pass rod and patch down through barrel. Repeat, changing patches until last patch comes out clean.

4. Inspect barrel by looking through it; if it is clean, proceed directly to step 7, but if it remains dirty, continue with step 5.

5. *(**NOTE:** This item should be applicable only after firing). Attach brass wire bristle brush to cleaning rod and dip brush in gun cleaning solution. Thoroughly scrub out barrel, passing the brush all the way through before reversing the movement. If you try to change direction with brush in barrel, the brush will stick.

6. Repeat steps 3 and 4 above.

7. Clean rear face of barrel and face of slide, using a small toothbrush.

8. Lightly moisten a flannel patch with gun oil and pass it once through barrel, leaving a thin film of oil on the inside surface. Leave this film of oil on the inside

surface if pistol is to be stored. If it is not to be stored, or if it is being removed from storage for use, pass a dry patch through the barrel to remove as much oil as possible especially from the chamber in the rear of barrel.

9. Check that flannel threads or brush bristles are not stuck in any part of the pistol. Wipe all the metal surfaces you can reach with a flannel patch lightly moistened with gun oil. Be sure to wipe the rails inside the slide and the rails on the receiver. Wipe the barrel on the outside surface. Wipe the barrel bushing area. Put one small drop of oil in each of the locking grooves inside the top of the slide. Put one small drop of oil on the hammer pivot pin and the sear pivot pin. Slide movement will spread oil to other areas inside the pistol. Wipe away any excess oil. (See **NOTE** on cold weather lubrication).

10. Reassemble pistol as previously described.

11. Again wipe external surfaces with oil moistened patch to remove any finger prints. (Finger moisture, if left, could start corrosion process). (See **NOTE** on cold weather lubrication).

12. Remove any gun cleaning solution and oil from the stock.

CLEANING THE MAGAZINE

It is advisable to clean the magazine(s) whenever the pistol is cleaned.

To disassemble the magazine, remove the magazine follower and spring by depressing them with a piece of wood (pen or pencil) about two inches into the magazine and inserting a thin rod (small screwdriver) through lower of the

SAFETY DEPENDS ON YOU

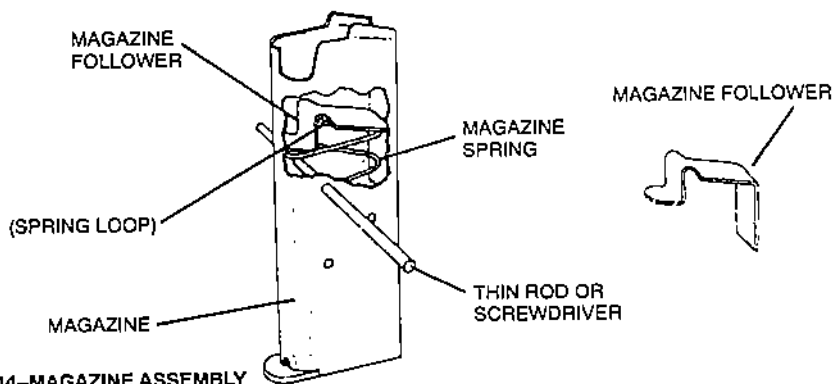


FIGURE 14—MAGAZINE ASSEMBLY

front two holes in the magazine body. This will hold the spring under tension. Turn the magazine upside down and lightly tap it so that the follower falls away from the spring; lift out the follower from the magazine body. Push down on spring to take up the spring tension, remove the thin rod and allow the spring to extend, then remove it completely.

Clean all three components, taking care to remove carbon deposits from the lips of the magazine and the magazine follower. Wipe components with lightly oiled cloth and reassemble.

To assemble the magazine, place spring correctly oriented, i.e., with loop uppermost pointing forward, into the magazine body. Compress spring and insert thin rod as for dismantling. Place follower in magazine as illustrated (See Figure 14), take up spring tension, remove thin rod and allow spring to reassert its influence on the follower.

STORAGE



CAUTION: ALWAYS UNLOAD YOUR PISTOL FOR STORAGE AND STORE AMMUNITION SEPARATELY. Keep and store your pistol and ammunition securely locked and in separate locations out of reach and sight of children. (Children are naturally curious and do not always believe the real danger of guns.)

NOTE: Do not store your pistol in an air-tight container, and do not seal or attempt to seal the barrel to exclude dust, as the internal steel surface is more likely to corrode. Use the Colt packaging case to carry and store your EMPTY pistol.

SERVICING AND REPAIR

Should your pistol require adjustment, or repair, make sure it is NOT LOADED and send it to Colt's. For spare parts, seek advice from the Dealer who should have up to date information on how best to obtain genuine Colt parts.

An illustration and list of part names are included in the next section of this instruction manual to help you identify the part you need, but it is important to note that all parts are not available for sale. Those parts which are available should be installed by Colt's or by a competent gunsmith. When ordering parts, please give part name as given on the Parts List. Also give the caliber, model name, serial number and metal finish of your pistol, i.e., whether blue or nickel.

IMPORTANT: If you make unauthorized adjustments or use unauthorized parts, Colt will not assume responsibility for the functioning of this pistol.

THIS GUN IS MANUFACTURED TO PERFORM PROPERLY WITH THE ORIGINAL PARTS AS DESIGNED. IT IS YOUR DUTY TO MAKE SURE ANY PARTS YOU BUY ARE INSTALLED CORRECTLY AND THAT NEITHER REPLACEMENTS NOR ORIGINALS ARE ALTERED OR CHANGED. This is why we say return it to Colt's. YOUR GUN IS A COMPLEX TOOL WITH MANY PARTS THAT MUST RELATE CORRECTLY TO OTHER PARTS. PUTTING A GUN TOGETHER WRONG OR WITH MODIFIED PARTS CAN RESULT IN A DAMAGED GUN, DANGER, AND INJURY OR DEATH TO YOU AND OTHERS THROUGH MALFUNCTION. ALWAYS LET A QUALIFIED GUNSMITH WORK ON YOUR GUN AND CHECK ANY WORK YOU THINK WAS NOT PERFORMED BY A GUNSMITH. We at Colt think this is a small price to pay for firearms safety.

NOTE: Various Federal and State laws and local ordinances govern the transfer and transportation of firearms, so take the advice of the Dealer in your state on how to send your firearm to Colt's. Before shipping your pistol, here are some important points to remember:



1. CAUTION: MAKE SURE THAT THE MAGAZINE AND PISTOL ARE NOT LOADED.

2. Write a letter explaining the problem and your requirements in as much detail as possible. Include the model name and serial number of your pistol together with your return address, then enclose it with the empty pistol in the Colt packaging case or a well padded package.

3. Do not send presentation boxes, accessories or ammunition.

4. Colt's address for receiving packages is: CMCI
Talcott Road
West Hartford, CT 06110

5. Do not indicate the contents, or include "COLT" in the address on the package so that an inquisitive thief is not attracted to it by such information.

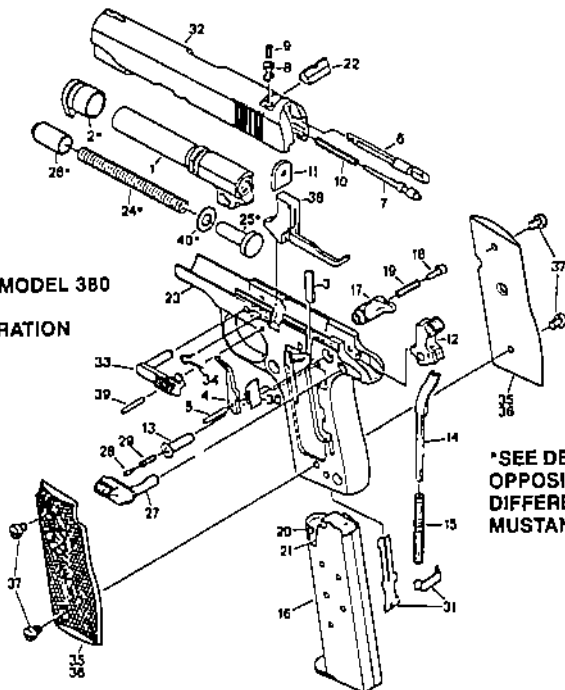
6. Insure the package contents against loss or theft.

This section is provided so that you may identify names of parts for your own interest. However, for adjustment, repair, or spare parts information, see Section 5, "Servicing and Repair."

See page 52 for illustration.

See page 53 for description of parts.

**GOVERNMENT MODEL 380
AUTOMATIC
PARTS ILLUSTRATION**



***SEE DESCRIPTION
OPPOSITE PAGE FOR
DIFFERENCES ON
MUSTANGS**

DESCRIPTION

1. Barrel
2. *Barrel Bushing (not on Mustangs)
3. Disconnecter
4. Ejector
5. Ejector & Sear Pin
6. Extractor
7. Firing Pin
8. Firing Pin Lock
9. Firing Pin Lock Spring
10. Firing Pin Spring
11. Firing Pin Stop
12. Hammer Assembly
13. Hammer Pin
14. Hammer Strut
15. Hammer Spring
16. Magazine Assembly
17. Magazine Catch
18. Magazine Catch Lock
19. Magazine Catch Spring
20. Magazine Follower
21. Magazine Spring
22. Rear Sight
23. Receiver
24. *Recoil Spring
(two on Mustangs)
25. *Recoil Spring Guide
(longer on Mustangs)
26. *Recoil Spring Plug
(not on Mustangs)
27. Safety
28. Safety Plunger
29. Safety Plunger Spring
30. Sear
31. Sear Spring & Clip
32. Slide
33. Slide Stop
34. Slide Stop Spring
35. & 36. Stock Set
37. Stock Screw (4)
38. Trigger Assembly
39. Trigger Pin
40. *Washer (only on Mustangs)

SAFETY DEPENDS ON YOU

Our Colt Custom Shop offers a wide range of special services such as engraving, inlaying and special serializing to the same high standard of quality long synonymous with the name "COLT". Sometimes modifications, which meet our customer's special requirements, necessitate deviations from standard design and manufacturing tolerances which result in functional differences from a standard gun. Consequently, this instruction manual does not apply to a customized gun unless its applicability has been confirmed by the Colt Custom Shop. For further information, write to Colt Custom Shop, P.O. Box 1868, Hartford, Connecticut 06144-1868, USA.

FIREARM RECORD

Colt Model _____

Serial No. _____

Caliber _____

Purchased
from _____

Date
Purchased _____

Purchase
Price _____

WARRANTY STATEMENT

Based on Magnuson-Moss Warranty Act, Colt offers no express warranty on its product line. However, Colt recognizes its obligations concerning implied warranty. Colt also stands behind its products as it has historically, and will continue to provide service to its product line as it has over the years. Colt products will be serviced for a period of one year from the date of retail purchase, for defects in materials or workmanship, at no charge to the purchaser. Be sure to retain your sales slip as proof of purchase date when making a claim.



HEALTH AND ENVIRONMENTAL WARNING

Discharging firearms in poorly ventilated areas, cleaning firearms, or handling ammunition may result in exposure to lead and other substances known to cause birth defects, reproductive harm, cancer, and other serious physical injury. Have adequate ventilation at all times. Wash hands thoroughly after exposure.

If your instruction manual becomes lost or destroyed, obtain a replacement by writing to **Colt's Manufacturing Company, Inc., Box 1868, Hartford, Connecticut 06144-1868, USA** or call **1-800-962-COLT**. Make a note of the address. When requesting a manual, include the information which is on the left side of your firearm together with its serial number or quote the Part No. as shown on the back cover of this manual.



, the Rampant Colt figure, Government Model™, Mustang®, and all other Colt trademarks are the exclusive property of Colt's Manufacturing Company, Inc. For permission to reprint for noncommercial instructional purposes, prior approval from Colt's is required.

This instruction manual should always accompany this firearm. When you lend, give or sell this firearm, be sure this manual goes with it.



Avvertimento Italiano

Se c'è qualcosa che non riuscite a capire, rivolgetevi a qualcuno che sia qualificato nel maneggiare in maniera sicura le armi da fuoco.

Advertencia en Español

Para cualquier aclaración de esta manual, consulte con alguna persona perita en el manejo seguro de armas de fuego.

Message Seculaire en Français

Pour tous renseignements complémentaires, veuillez consulter un armurier qualifié dans le maniement de ces armes.

Deutsche Sicherheitshinweise

Sollten Sie noch weitere Fragen haben, wenden Sie sich bitte an einen Waffenspezialisten.

FUNDAMENTAL NRA RULES FOR SAFE GUN HANDLING

- 1. ALWAYS KEEP THE GUN POINTED IN A SAFE DIRECTION.**
- 2. ALWAYS KEEP YOUR FINGERS OFF THE TRIGGER UNTIL READY TO SHOOT.**
- 3. ALWAYS KEEP THE GUN UNLOADED UNTIL READY TO USE.**