



LAWMAN[®] MK III TROOPER MK III

© 1979 Colt Industries Operating Corp

This Instruction manual should always accompany this firearm and be transferred with it upon change of ownership.

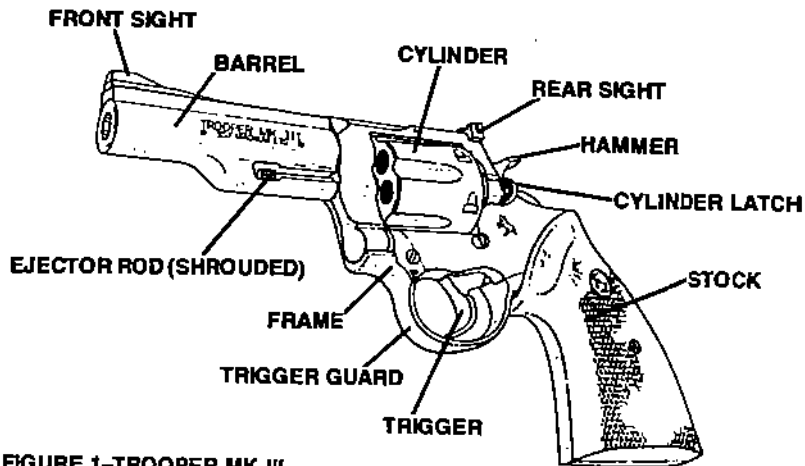


FIGURE 1—TROOPER MK III

CAUTION: USE ONLY ORIGINAL HIGH QUALITY COMMERCIALLY MANUFACTURED AMMUNITION IN GOOD CONDITION WHICH IS APPROPRIATE TO THE CALIBER OF YOUR REVOLVER—SEE TABLE BELOW.

REVOLVER TYPE	SUITABLE AMMUNITION	
Trooper MK III Lawman® MK III	{ 357 Magnum, 38 Special, 38 Special + P, or 38 Special + P + 38 Special, + P, or + P +	
Trooper MK III	{ 22 LR 22 Mag	
Trooper MK III		

SECTION 1**PRECAUTIONS**

READ AND UNDERSTAND ALL THE FOLLOWING PRECAUTIONS BEFORE REMOVING THIS FIREARM FROM ITS PACKAGE.

THIS COLT PRODUCT IS CLASSIFIED BY THE ALCOHOL, TOBACCO AND FIREARMS DIVISION OF THE INTERNAL REVENUE SERVICE, U.S. TREASURY DEPARTMENT, AS A FIREARM OR DANGEROUS WEAPON: IT IS, THEREFORE, POTENTIALLY LETHAL!

WARNING: IF THIS FIREARM IS CARELESSLY OR IMPROPERLY HANDLED, UNINTENTIONAL DISCHARGE COULD RESULT AND COULD CAUSE INJURY, DEATH, OR DAMAGE TO PROPERTY.

CAUTION: CAREFULLY READ THIS INSTRUCTION MANUAL WHICH GIVES BASIC ADVICE ON THE PROPER HANDLING AND FUNCTIONING OF THIS COLT FIREARM PRIOR TO LOADING AND FIRING. HOWEVER, YOUR SAFETY AND THE SAFETY OF OTHERS (INCLUDING YOUR FAMILY) DEPENDS ON YOUR MATURE COMPLIANCE WITH THAT ADVICE, AND YOUR ADOPTION, DEVELOPMENT AND CONSTANT EMPLOYMENT OF SAFE PRACTICES. IF UNFAMILIAR WITH FIREARMS, SEEK FURTHER ADVICE THROUGH SAFE HANDLING COURSES RUN BY YOUR LOCAL GUN CLUBS, NRA APPROVED INSTRUCTOR, OR SIMILAR QUALIFIED ORGANIZATIONS.

NOTICE

Colt shall not be responsible for injury, death, or damage to property resulting from either intentional or accidental discharge of this firearm, or from its function when used for purposes or subjected to treatment for which it was not designed. Colt will not honor claims involving this firearm which result from careless or improper handling, unauthorized adjustment or parts replacement, corrosion, neglect, or the use of wrong caliber ammunition, or the use of ammunition other than original high quality commercially manufactured ammunition in good condition, or any combination thereof. Colt will not honor claims involving this firearm for any reason or cause when such claims are made by the second or subsequent owner.

IMPORTANT

Before it left the factory this firearm was tested, carefully inspected, and packaged. Colt cannot control product handling after it leaves the factory; therefore, please examine this firearm carefully at the time of purchase to insure that it is unloaded and undamaged. The dealer will be pleased to assist you in making this examination and endeavor to answer your further questions.

This instruction manual should always accompany this firearm and be transferred with it upon change of ownership.

LIST OF SECTIONS

SECTION	TITLE
1	PRECAUTIONS
2	Main Features
3	Safety Instructions: Cautions Features "Safety" Hand
4	Function Loading Unloading Firing
5	Maintenance When to Clean How to Clean Storage Servicing and Repair
6	Parts Illustration and List
7	The Customized Gun

SECTION 2**MAIN FEATURES**

The Lawman MK III and Trooper MK III are both single/double action revolvers utilizing a Colt coil spring action. In many ways the revolvers are similar, but differences in sights, backstraps, caliber, triggers and barrels, give shooters an opportunity of owning one of these revolvers which most effectively meets their personal preferences for feel, balance, accuracy and cost. All revolvers feature an automatic safety device which prevents the hammer from striking the firing pin until the trigger is squeezed and held back. The illustrations in this manual feature the Trooper MK III 357 Magnum but the revolvers are available in the different configurations shown in the table opposite. This instruction manual applies to all these variations of the revolvers and to commemorative issues of them currently marketed by Colt.

Revolver Type	Barrel Length	Finishes	Sights	Special Features
Lawman MK III 357 Magnum	2"	Colt Blue or Nickel	Fixed square notch rear. Fixed blade front.	Shrouded ejector rod. Serrated service trigger.
	4"	Colt Blue or Nickel	As above.	Serrated service trigger.
Trooper MK III 357 Magnum	4", 6" or 8"	Colt Blue or Nickel	Fully adjustable rear. Ramp style front.	Shrouded ejector rod. Smooth target trigger.
22 LR 22 Mag		{Colt Blue		
38 Special	8"	Colt Blue or Nickel	Fully adjustable rear. Ramp style front.	Shrouded ejector rod. Smooth target trigger.

SECTION 3**SAFETY INSTRUCTIONS**

We want you to enjoy shooting your Colt revolver, but we want you to enjoy it safely. You may be an experienced safe shooter already familiar with the procedures in this instruction manual, or you may never have handled a gun before. Either way we urge you to **READ THIS ENTIRE INSTRUCTION MANUAL CAREFULLY**. It is essential to follow the safety instructions for your safety and the safety of others.

CAUTIONS:

- 1. ALWAYS HANDLE YOUR REVOLVER AS IF IT WERE LOADED SO THAT YOU NEVER FIRE IT ACCIDENTALLY WHEN YOU THINK IT IS UNLOADED.**
- 2. NEVER POINT YOUR REVOLVER AT ANYTHING YOU DO NOT INTEND TO SHOOT SO THAT IF IT FIRES ACCIDENTALLY, INJURY, DEATH, OR DAMAGE TO PROPERTY WILL BE PREVENTED.**
- 3. NEVER TAKE ANYONE'S WORD THAT A GUN IS UNLOADED; CHECK FOR YOURSELF WITH FINGERS OFF THE TRIGGER AND GUN POINTED IN A SAFE DIRECTION, SO THAT YOU NEVER FIRE THE GUN ACCIDENTALLY WHEN YOU THINK IT IS UNLOADED.**
- 4. ALWAYS BE SURE BARREL AND CYLINDER CHAMBERS ARE CLEAR OF OBSTRUCTIONS. CLEAN A FOULED REVOLVER IMMEDIATELY SO THAT IT WILL FUNCTION CORRECTLY AND SAFELY.**

5. NEVER SQUEEZE THE TRIGGER OR PUT YOUR FINGER IN THE TRIGGER GUARD UNTIL YOU ARE AIMING AT A TARGET AND READY TO SHOOT. THIS WILL PREVENT YOU FIRING THE REVOLVER WHEN IT IS POINTING IN AN UNSAFE DIRECTION.

6. ALWAYS KEEP HAMMER FORWARD AND CHAMBERS EMPTY TO ELIMINATE RISK OF ACCIDENTAL DISCHARGE UNTIL READY TO USE.

7. ALWAYS BE ABSOLUTELY SURE OF YOUR TARGET AND THE AREA BEHIND IT BEFORE YOU SQUEEZE THE TRIGGER. A BULLET COULD TRAVEL THROUGH OR PAST YOUR TARGET UP TO 1½ MILES . . . IF IN DOUBT, DON'T SHOOT.

8. NEVER SHOOT AT A HARD SURFACE SUCH AS ROCK, OR A LIQUID SURFACE SUCH AS WATER. A BULLET MAY RICOCHET AND TRAVEL IN ANY DIRECTION TO STRIKE YOU, OR AN OBJECT YOU CANNOT SEE, CAUSING INJURY, DEATH, OR DAMAGE TO PROPERTY.

9. ALWAYS BE SURE YOUR BACKSTOP IS ADEQUATE TO STOP AND CONTAIN BULLETS BEFORE BEGINNING TARGET PRACTICE SO THAT YOU DO NOT HIT ANYTHING OUTSIDE THE RANGE SHOOTING AREA.

10. ALWAYS PUT SOMEONE IN CHARGE TO MAINTAIN SAFETY CONTROL WHEN A GROUP IS FIRING ON A RANGE. OBEY HIS COMMANDS SO THAT DISCIPLINE IS MAINTAINED TO REDUCE THE LIKELIHOOD OF ACCIDENTS.

11. ALWAYS CARRY YOUR REVOLVER EMPTY WITH CYLINDER OPEN WHILE ON A RANGE UNTIL PREPARING TO FIRE. KEEP IT POINTING TOWARDS THE BACKSTOP WHEN LOADING, FIRING AND UNLOADING, TO ELIMINATE THE RISK OF INJURY, DEATH, OR DAMAGE TO PROPERTY.

12. NEVER LEAVE A LOADED REVOLVER UNATTENDED. SOMEONE, ESPECIALLY A CHILD, MAY FIRE IT AND CAUSE INJURY, DEATH, OR DAMAGE TO PROPERTY.

13. NEVER USE YOUR REVOLVER IF IT FAILS TO FUNCTION PROPERLY, AND NEVER FORCE A JAMMED CYLINDER MECHANISM, AS A ROUND MAY EXPLODE CAUSING SERIOUS INJURY, POSSIBLE DEATH, OR SEVERE DAMAGE TO YOUR REVOLVER.

14. NEVER LEAVE REVOLVER COCKED READY TO FIRE AS THIS CONDITION IS EXTREMELY DANGEROUS, AND REVOLVER COULD EASILY BE ACCIDENTALLY DISCHARGED, CAUSING INJURY, DEATH, OR DAMAGE TO PROPERTY.

15. ALWAYS CARRY YOUR REVOLVER EMPTY, WITH THE HAMMER FORWARD EXCEPT WHEN YOU INTEND TO

SHOOT, SO THAT YOUR REVOLVER CANNOT BE FIRED WHERE IT IS UNSAFE TO DO SO.

16. ALWAYS USE ONLY CLEAN, DRY, ORIGINAL HIGH QUALITY COMMERCIALY MANUFACTURED AMMUNITION IN GOOD CONDITION WHICH IS APPROPRIATE TO THE CALIBER OF YOUR REVOLVER. (SEE INSIDE FRONT COVER.) GUN AND AMMUNITION MANUFACTURERS DESIGN THEIR PRODUCTS WITHIN EXACTING ENGINEERING SAFETY LIMITS, BUT HANDLOADS SOMETIMES EXCEED THOSE LIMITS AND COULD BE UNSAFE.

17. FAILURE TO FIRE: ALWAYS HOLD REVOLVER, KEEPING IT POINTED TOWARDS THE TARGET AND WAIT 30 SECONDS WHEN REVOLVER FAILS TO FIRE. IF A HANGFIRE (slow ignition) HAS OCCURRED, ROUND WILL FIRE WITHIN 30 SECONDS. IF ROUND DOES NOT FIRE, EJECT ROUND AND EXAMINE PRIMER IN BASE OF MISFIRED ROUND. IF FIRING PIN INDENT ON PRIMER IS LIGHT, MISALIGNED OR NON-EXISTENT, HAVE REVOLVER EXAMINED BY A COMPETENT GUNSMITH. IF FIRING PIN INDENT ON PRIMER APPEARS NORMAL (in comparison with similar previously fired rounds) ASSUME FAULTY AMMUNITION; SEGREGATE MISFIRED ROUND FROM OTHER LIVE AMMUNITION AND EMPTY CASES, RELOAD AND CARRY ON FIRING.

Note: Dispose of misfired rounds in accordance with ammunition manufacturer's instructions.

18. ALWAYS HOLD REVOLVER BY THE GRIP AND KEEP BOTH HANDS WELL CLEAR OF, AND BEHIND THE CYLINDER. NEVER HOLD IT NEAR THE CYLINDER AS VERY HOT GAS AND LEAD PARTICLES MAY BE SPRAYED OUT AROUND THE CYLINDER. . . THESE WOULD INJURE YOUR HANDS.

19. NEVER FIRE YOUR REVOLVER NEAR AN ANIMAL UNLESS IT IS TRAINED TO ACCEPT THE NOISE; AN ANIMAL'S STARTLED REACTION COULD INJURE IT OR CAUSE AN ACCIDENT.

20. NEVER WALK, CLIMB OR FOLLOW A COMPANION WITH YOUR REVOLVER COCKED READY TO FIRE, OUT OF ITS HOLSTER, OR WITH THE HAMMER IN ANY POSITION OTHER THAN FORWARD, TO ELIMINATE RISK OF ACCIDENTAL DISCHARGE. WHEN HUNTING, HOLD YOUR REVOLVER SO THAT YOU CAN ALWAYS CONTROL THE DIRECTION OF THE MUZZLE.

21. NEVER INDULGE IN "HORSEPLAY" WHILE HOLDING YOUR REVOLVER AS IT MAY BE ACCIDENTALLY DISCHARGED.

22. NEVER DRINK ALCOHOLIC BEVERAGES OR TAKE DRUGS BEFORE OR DURING SHOOTING, AS YOUR VISION AND JUDGMENT COULD BE SERIOUSLY IMPAIRED MAKING YOUR GUN HANDLING UNSAFE.

23. ALWAYS SEEK A DOCTOR'S ADVICE IF YOU ARE TAKING MEDICATION, TO BE SURE YOU ARE FIT TO SHOOT AND HANDLE YOUR REVOLVER SAFELY.

24. ALWAYS WEAR EAR PROTECTION WHEN SHOOTING, ESPECIALLY ON A RANGE. WITHOUT EAR PROTECTION, THE NOISE FROM YOUR REVOLVER, AND OTHER GUNS CLOSE TO YOU, COULD LEAVE A "RINGING" IN YOUR EARS FOR SOME TIME AFTER FIRING AND COULD LEAD TO CUMULATIVE LONG TERM PERMANENT HEARING LOSS.

25. ALWAYS WEAR PROTECTIVE SHOOTING GLASSES FOR EYE PROTECTION.

26. ALWAYS MAKE SURE YOUR REVOLVER IS NOT LOADED BEFORE CLEANING, STORING, TRAVELING, AND THE CYLINDER ROTATED OUT OF THE FRAME BEFORE LAYING REVOLVER DOWN, OR HANDING IT TO ANOTHER PERSON, SO THAT IT CANNOT BE FIRED WHEN IT IS UNSAFE TO DO SO.

27. ALWAYS STORE YOUR REVOLVER AND AMMUNITION IN SEPARATE LOCKED RECEPTACLES OUT OF REACH AND SIGHT OF CHILDREN, TO MINIMIZE THE RISK OF REVOLVER AND AMMUNITION BEING EASILY AVAILABLE FOR LOADING AND FIRING.

28. ALWAYS INSTRUCT CHILDREN TO RESPECT FIREARMS. IF YOU TEACH YOUR CHILDREN TO SHOOT, TEACH THEM TO USE THE REVOLVER PROPERLY, AND ALWAYS SUPERVISE THEM CLOSELY. ALWAYS STRESS SAFETY SO THAT YOUR CHILDREN WILL NOT FIRE THE REVOLVER WHEN IT IS UNSAFE TO DO SO.

Note: Please note that we have chosen to use the word "SQUEEZE" in this instruction manual instead of "PULL" or "PRESS" when trigger movement is described; this is simply to remind you of the need for a gentle squeezing action to achieve accuracy.

FEATURES

Safety

The safety works on the principle of creating a space between the hammer and firing pin. This will prevent the hammer from striking the firing pin until the trigger is squeezed and held back. In this way, if the hammer is being cocked and it slips from your thumb, or if the revolver is dropped on the hammer spur, the revolver will not fire provided the trigger is not in the firing position. To allow the revolver to fire, the safety connector moves up behind the firing pin when the hammer is cocked, and will remain there if the trigger is squeezed and held in the firing position. When the hammer moves forward it strikes the safety connector which transmits the hammer energy to the firing pin to fire the revolver. However, if the trigger is released before the hammer has been fully cocked, the safety connector will withdraw to prevent the hammer energy being transmitted to the firing pin.

Hand

The hand's primary function is to rotate the cylinder. However, it serves also as a safety device to prevent the cylinder from being moved out of or into the revolver frame when the hammer is cocked, thus minimizing the risk of accidental discharge while the revolver is being loaded or unloaded.

SECTION 4**FUNCTION**

This revolver can be fired by single action (cocking hammer by thumb and squeezing the trigger) or double action (squeezing the trigger to cock the hammer and fire the revolver). Either way, the functioning sequence is similar. When the hammer starts to move rearward, the bolt unlocks the cylinder, the hand rotates the cylinder clockwise and the safety connector moves up behind the firing pin. When the hammer is about half way to the cocked position, the spring loaded bolt is released to contact the cylinder between the fired and unfired chambers. The cylinder continues to rotate until the bolt drops into the next bolt notch to assure proper alignment of the chamber to the barrel and firing pin. In single action, when the hammer is cocked it will remain cocked until the trigger is squeezed. In double action, pulling the trigger through to the rearward firing position both cocks and releases the hammer allowing it to move forward to strike the safety connector which transmits the energy to the firing pin to fire the revolver. When the firing pin strikes the primer in the base of the cartridge, energy imparted to the primer ignites it, this in turn ignites the main powder charge. Extremely high gas pressure generated by the burning powder forces the bullet out of the mouth of the cartridge, forward out of the cylinder, across the barrel/cylinder gap and into the throat of the barrel. In the barrel, rifling imparts stabilizing spin to the bullet so that it will follow a more accurate path to the target. Upon releasing the trigger, the safety connector will withdraw, leaving a space between the firing pin and the hammer.

LOADING

CAUTION: TO MINIMIZE RISK OF UNINTENTIONAL DAMAGE, LOAD LIVE AMMUNITION INTO REVOLVER ONLY WHEN YOU INTEND TO SHOOT.

To Load:

1. **CAUTION:** READ SAFETY INSTRUCTIONS (Section 3)—KEEP REVOLVER POINTING IN SAFE DIRECTION AND DO NOT TOUCH THE TRIGGER.

2. Open revolver by pulling cylinder latch to the rear and pushing cylinder out to the left (See Figure 2). Check each of six chambers to ensure they are clean and free from accumulated oil. (Clean if necessary.)

3. Use only ammunition recommended inside front cover of this instruction manual as suitable for your revolver. Insert a round of ammunition into a chamber.

4. Press round home until it is fully seated.

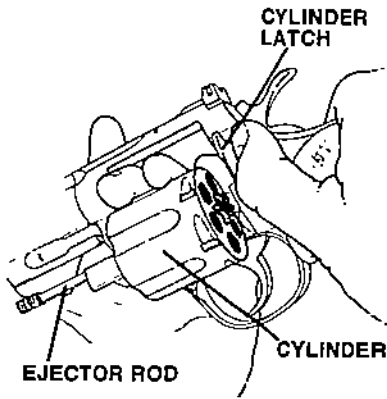


FIGURE 2—OPENING REVOLVER

5. Repeat steps 3 and 4 above until revolver is fully loaded.
6. **KEEP REVOLVER POINTING IN SAFE DIRECTION.** Ensure hammer is not cocked. Push cylinder into the frame until cylinder latch springs forward to lock cylinder.

IMPORTANT: Do not attempt to close cylinder with hammer cocked, and do not swing or slam cylinder forcefully into place in the frame as you could damage the mechanism.

IMPORTANT: It is sometimes possible that the bolt will not correctly engage the cylinder to lock it. Check for correct locking by attempting to rotate cylinder gently clockwise by hand. If it is already locked, the cylinder will not move, but if it was unlocked, you should hear the bolt "click" into engagement with the cylinder to lock it.

UNLOADING

CAUTION: ALWAYS UNLOAD YOUR REVOLVER IMMEDIATELY AFTER USE, AND PRIOR TO CLEANING AND STORAGE. TO MINIMIZE RISK OF ACCIDENTAL DISCHARGE AND PREVENT INJURY, DEATH, OR DAMAGE TO PROPERTY.

To Unload:

1. **CAUTION: READ SAFETY INSTRUCTIONS (Section 3)—KEEP REVOLVER POINTING IN SAFE DIRECTION AND DO NOT TOUCH THE TRIGGER.**

2. Open revolver by pulling cylinder latch to the rear and pushing the cylinder out to the left of revolver (See Figure 2).

3. Push ejector rod backwards forcing out all live rounds or empty cases (See Figure 3). When they are clear of the chambers, remove from revolver. Allow ejector rod to return forward under its spring action.

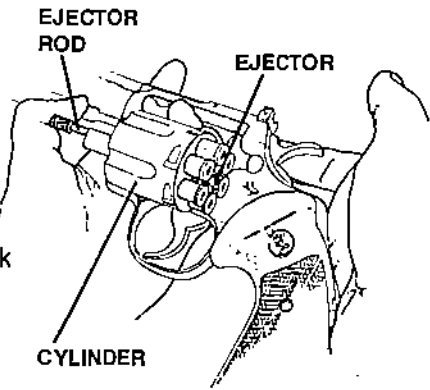
4. Ensure hammer is not cocked. Push cylinder into the frame until cylinder latch springs forward to lock cylinder.

5. Collect live ammunition for safe storage and spent cartridge cases for disposal.

FIRING

Before firing your Colt revolver, practice your stance, aim, rhythm and breathing for steady aim, with your revolver UNLOADED. You can also dry-fire your revolver to get the feel of the trigger action so that you can develop some shooting skills without expending ammunition. You should then practice firing on a range before going hunting or using your revolver for any other type of shooting.

FIGURE 3—EJECTION



The Colt Accro rear sight is fitted to the Trooper MK III (See Figure 4).

To adjust the Accro sight, turn the windage screw clockwise and sight moves to left; counterclockwise and it moves to right. Turn elevation screw clockwise to lower sight; counterclockwise to raise it. Point of bullet impact will move in the same direction. It is recommended that adjustments for other than windage and elevation be made only by experienced persons.

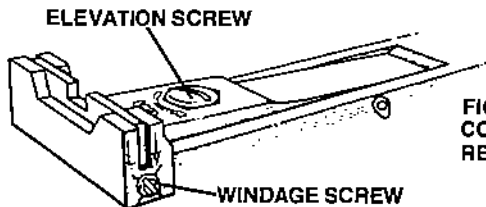


FIGURE 4-
COLT ACCRO
REAR SIGHT

CAUTIONS:

- 1. WEAR EAR PROTECTION. WITHOUT EAR PROTECTION, THE NOISE FROM YOUR REVOLVER AND OTHER GUNS CLOSE TO YOU COULD LEAVE A "RINGING" IN YOUR EARS FOR SOME TIME AFTER FIRING AND COULD LEAD TO CUMULATIVE LONG TERM PERMANENT HEARING LOSS.**
- 2. WEAR PROTECTIVE SHOOTING GLASSES FOR EYE PROTECTION.**

To Fire

1. **CAUTION: READ SAFETY INSTRUCTIONS (Section 3)—KEEP REVOLVER POINTING IN SAFE DIRECTION AND DO NOT TOUCH THE TRIGGER.**

2. Load revolver as previously described. It can now be fired in either single (see paragraph 3S) or double action (see paragraph 3D).

3. (S) 1. *To fire single action, grasp revolver by its grip, keep fingers away from trigger and draw hammer fully back (about an inch) to cocked position where it will be held to the rear (See Figure 5). Remove thumb from hammer spur.*

2. Take aim by aligning target with front and rear sights (See Figure 6).

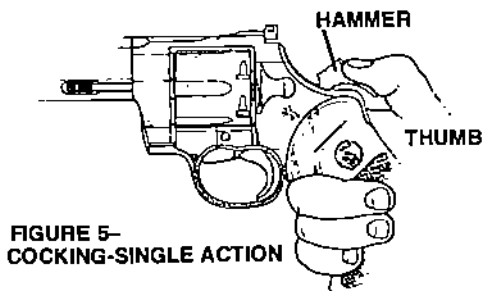
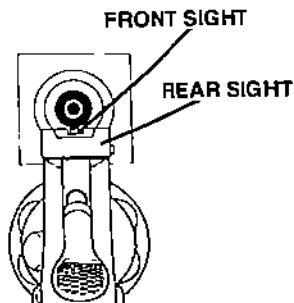


FIGURE 6—AIMING



3. Keeping steady aim, place index finger on trigger and squeeze gently until hammer falls. Don't jerk the trigger as you will disturb your aim and spoil your accuracy.

4. To fire second and subsequent rounds, remove finger from trigger, cock hammer, squeeze trigger and repeat until you have completed firing.

5. When you have completed firing, remove finger from trigger.

3. (D) *To fire double action*, grasp revolver by its grip, keep fingers away from hammer, aim by aligning target with front and rear sight and squeeze trigger until hammer is cocked and released to fire the revolver. To fire second and subsequent rounds, release trigger and squeeze it again and repeat until you have completed firing, then remove finger from trigger.

CAUTION: IF REVOLVER FAILS TO FIRE, HOLD IT, KEEPING IT POINTED TOWARDS THE TARGET AND WAIT 30 SECONDS. IF A HANGFIRE (slow ignition) HAS OCCURRED, ROUND WILL FIRE WITHIN 30 SECONDS. IF ROUND DOES NOT FIRE, EJECT ROUND AND EXAMINE PRIMER. IF FIRING PIN INDENT ON PRIMER IS LIGHT, MISALIGNED OR NON-EXISTENT, HAVE REVOLVER EXAMINED BY A COMPETENT GUNSMITH. IF FIRING PIN

INDENT ON PRIMER APPEARS NORMAL (in comparison with similar previously fired rounds) **ASSUME FAULTY AMMUNITION; SEGREGATE MISFIRED ROUND FROM OTHER LIVE AMMUNITION AND EMPTY CASES, RELOAD AND CARRY ON FIRING.**

Note: Dispose of misfired rounds in accordance with the ammunition manufacturer's instructions.

4. **KEEP REVOLVER POINTING IN SAFE DIRECTION.** Unload revolver as previously described.

CAUTION: NEVER LEAVE REVOLVER COCKED READY TO FIRE AS THE FIRE CONDITION IS EXTREMELY DANGEROUS, AND REVOLVER COULD EASILY BE ACCIDENTALLY DISCHARGED CAUSING INJURY, DEATH, OR DAMAGE TO PROPERTY.

IMPORTANT: If you cock your revolver but do not fire it, return hammer to the safety position by placing thumb firmly on hammer spur. Squeeze trigger only long enough to allow hammer to move forward and clear cocked notch, then release trigger completely and lower the hammer gently all the way forward. If you lose the opportunity to fire, unload your revolver as previously described. It is important to lower hammer gently forward to minimize risk of accidental discharge.

SECTION 5

MAINTENANCE

A Colt revolver, like any other precision mechanism, will perform better, last longer and remain safer when it is properly maintained. Follow the instructions in this Section to keep your revolver in peak condition.

CAUTION: ENSURE THAT THE REVOLVER IS NOT LOADED BEFORE CLEANING, SO THAT IT WILL NOT FIRE.

IMPORTANT: Do not strip your revolver. If additional maintenance is required see "Servicing and Repair" later in this instruction manual.

WHEN TO CLEAN

You should clean your revolver as soon after firing as possible so that the job will be easier and there will be less opportunity for corrosion to start. When your revolver has not been fired, clean it periodically; we suggest once or twice a year in a temperate climate, or as often as once a month in a tropical climate. If you carry a loaded revolver, UNLOAD it and clean it at least once a month.

HOW TO CLEAN

The following cleaning procedure may be used both periodically and after firing; however, those items marked "*" are unnecessary for periodic cleaning.

Materials: Cleaning rod, cotton flannel patches (cut to fit snugly into the bore), a small tooth-brush, good quality light gun oil, *gun cleaning solution, and *a brass wire bristle bore cleaning brush.

Note: In freezing conditions (below 32°F or 0°C) avoid the use of oil for lubrication; instead, apply a dry lubricant sparingly.

Procedure:

1. **CAUTION: ENSURE THAT THE REVOLVER IS NOT LOADED.**

2. Open the cylinder as previously described (See Figure 3).

Note: Avoid contact between cleaning rod and muzzle as resultant wear will reduce accuracy. Take care to avoid striking rear frame of revolver as severe cases result in burring of the metal around firing pin hole which could contribute to eventual firing failures.

3. Attach cotton flannel patch to end of cleaning rod, insert it in muzzle and pass rod and patch down through barrel. Repeat, changing patches until last patch comes out clean.

4. Clean each of the six chambers in cylinder with similar method to step 3 above.

5. Visually inspect barrel and chambers; if they are clean, proceed directly to step 8, but if they remain dirty, continue with step 6.

6. ***(Note: This item should be applicable only after firing.)** Attach brass wire bristle brush to cleaning rod and dip brush in gun cleaning solution. Thoroughly scrub out barrel and cylinder chambers, passing the brush all the way through before reversing the movement. If you try to change direction with brush in barrel or chamber, the brush will stick.

7. Repeat steps 3, 4 and 5 above.
8. Clean rear face of barrel and revolver frame, using a small tooth-brush.
9. Lightly moisten a flannel patch with gun oil and pass it once through barrel, leaving a thin film of oil on the inside surface. Similarly oil the six chambers in cylinder. Leave this film of oil on the metal surfaces if revolver is to be stored. If it is not to be stored, or if it is being removed from storage for use, pass a dry patch through barrel and chambers to remove as much oil as possible. (See note on cold weather lubrication.)
10. Check that flannel or brush bristles have not become lodged in any part of revolver, then wipe all external surfaces with a flannel patch moistened with gun oil.
11. Remove any gun cleaning solution and oil from grip.

STORAGE

CAUTION: ALWAYS UNLOAD YOUR REVOLVER FOR STORAGE AND STORE AMMUNITION SEPARATELY.

Store your revolver and ammunition securely locked and in separate locations out of reach and sight of children. (Children are naturally curious and do not always believe the real danger of guns.)

Note: Do not store your revolver in an air-tight container, and do not seal or attempt to seal the barrel or chambers to exclude dust, as the internal steel surfaces are more likely to corrode.

SERVICING AND REPAIR

Should your revolver require adjustment or repair, make sure it is NOT loaded and take it, or send it to the nearest COLT AUTHORIZED REPAIR SERVICE STATION where competent gunsmiths, trained to perform repairs to Colt products, can quickly make the necessary adjustment or repairs. Many of the Colt Authorized Repair Service Stations (a list of addresses is provided separately) are also Colt Parts Distributors, but seek advice from the Dealer who should have up to date information on how best to obtain genuine Colt parts. An illustration and list of part names are included in the next section of this instruction manual to help you identify the part you need. It is important to note that all parts are not available for sale; those parts which are available should be installed at a Colt Authorized Repair Service Station. If you order parts, please give part name as given on the Parts List. Also give the caliber, model name, serial number and metal finish of your revolver, i.e., whether blue or nickel.

Note: Various Federal and State laws and local ordinances govern the transfer and transportation of firearms, so take the advice of the Dealer in your state on how to send or transport your firearm to a Colt Authorized Repair Service Station. Before shipping your pistol, here are some important points to remember.

1. CAUTION: MAKE SURE THAT THE REVOLVER IS NOT LOADED.

2. Write a letter explaining the problem and your requirements in as much detail as possible. Include the model name and serial number of your revolver together with your return address, then enclose it with the revolver in a well padded package.
3. Do not send presentation boxes, accessories or ammunition.
4. A list of Colt Authorized Repair Service Stations is provided with your revolver.
5. Do not indicate the contents, or include "COLT" in the address on the package so that an inquisitive thief is not attracted to it by such information.
6. Insure the package contents against loss or theft.

SECTION 6

PARTS ILLUSTRATION AND LIST

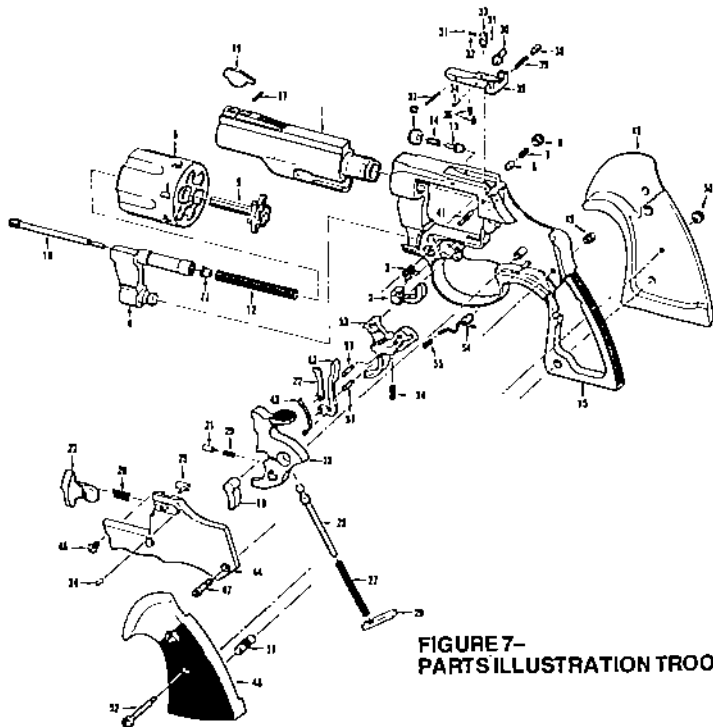


FIGURE 7-
PARTS ILLUSTRATION TROOPER MK III

This section is provided so that you may identify names of parts for your own interest. However, for adjustment, repair, or spare parts information, see Section 5 "Servicing and Repair".

DESCRIPTION

- | | |
|------------------------------|-------------------------------|
| 1. Barrel | 14. Firing Pin Spring |
| 2. Bolt | 15. Frame Det. Assy. |
| 3. Bolt Spring | 16. Front Sight Blade |
| 4. Crane Assy. | 17. Front Sight Blade Pin |
| 5. Crane Lock Det. | 18. Hammer |
| 6. Crane Lock Screw | 19. Hammer Strut |
| 7. Crane Lock Spring | 20. Hammer Strut Spring |
| 8. Cylinder | 21. Hammer Strut Spring Guide |
| 9. Ejector Ratchet
& Stem | 22. Hand |
| 10. Ejector Rod | 23. Latch |
| 11. Ejector Rod Bushing | 24. Latch Insert |
| 12. Ejector Spring | 25. Latch Pin Assy. |
| 13. Firing Pin | 26. Latch Spring |
| | 27. Main Spring |
- (con't.)

- 28. Main Spring Guide
- 29. Main Spring Seat
- 30. Rear Sight Blade
- 31. Rear Sight Detent Ball(2)
- 32. Rear Sight Det. Spring
- 33. Rear Sight Elev. Screw
- 34. Rear Sight Elev. Screw Pin
- 35. Rear Sight Leaf
- 36. Rear Sight Leaf Elev. Spring (2)
- 37. Rear Sight Leaf Pin
- 38. Rear Sight Windage Screw
- 39. Rear Sight Windage Spring
- 40. Recoil Plate
- 41. Recoil Plate Pin
- 42. Safety Connector
- 43. Spring, Safety Connector & Hand
- 44. Side Plate
- 45. Side Plate Nut
- 46. Side Plate Screw
- 47. Side Plate & Stock Screw
- 48.&49. Stock Assy.
- 50. Stock Nut
- 51. Stock Pin
- 52. Stock Screw
- 53. Trigger Assy.
- 54. Trigger Return Spring
- 55. Return Spring Guide
- 56. Trigger Screw
- 57. Pin Pivot

SECTION 7**THE CUSTOMIZED GUN**

Our Colt Custom Shop offers a wide range of special services such as engraving, inlaying and special serializing to the same high standard of quality long synonymous with the name "COLT". Sometimes modifications, which meet our customer's special requirements, necessitate deviations from standard design and manufacturing tolerances which result in functional differences from a standard gun. Consequently, this instruction manual does not apply to a customized gun unless its applicability has been confirmed by the Colt Custom Shop. For further information, write to Colt Firearms, Custom Gun Shop, 150 Huyshope Avenue, Hartford, Connecticut 06102.

FIREARM RECORD

Colt Model _____

Serial No. _____

Caliber _____

Purchased
from _____Purchased
Date _____Purchase
Price _____

WARRANTY STATEMENT

Based on Magnuson-Moss Warranty Act, Colt offers no express warranty on its product line. However, Colt recognizes its obligations concerning implied warranty. Colt also stands behind its product as it has historically, and will continue to provide service to its product line as it has over the years. Colt products will be serviced for a period of one year from date of retail purchase, for defects in materials or workmanship, at no charge to the purchaser. Be sure to retain your sales slip as proof of purchase date when making a claim.

This instruction manual should always accompany this firearm and be transferred with it upon change of ownership.

If you require a replacement instruction manual, write to COLT FIREARMS, 150 HUYSHOPE AVENUE, HARTFORD, CONNECTICUT 06102 and quote the part number as shown on the back cover of this manual.

FIVE BASIC SAFETY RULES

- 1. ALWAYS POINT A GUN IN A SAFE DIRECTION.**
- 2. DO NOT LOAD UNTIL READY TO USE.**
- 3. UNLOAD IMMEDIATELY AFTER USE.**
- 4. ALWAYS ENSURE A GUN IS NOT LOADED BEFORE CLEANING OR DISMANTLING.**
- 5. PRACTICE HANDLING AN EMPTY GUN BEFORE ATTEMPTING TO FIRE.**