

⚠ WARNING:

BEFORE USING THIS FIREARM, READ AND FOLLOW THESE INSTRUCTIONS

If there is anything you do not understand, get help from someone qualified in the safe handling of firearms.

COLT®

**SAFETY
AND
INSTRUCTION
MANUAL**

**COLT®
PISTOLS**



DOUBLE EAGLE™

**Copyright © 1995 Colt's Manufacturing Company, Inc. All Rights Reserved.
This instruction manual applies only to Double Eagle™ pistols, but does
NOT apply to any other Colt pistol. It should always accompany this pistol.
When you lend, give or sell this firearm, be sure this manual goes with it.**

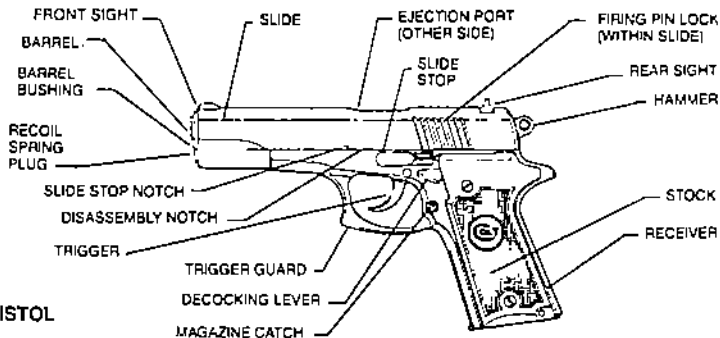


FIGURE 1—COLT®
DOUBLE EAGLE™ PISTOL



CAUTION: ALWAYS KEEP AND CARRY YOUR PISTOL EMPTY, WITH THE HAMMER FORWARD EXCEPT WHEN YOU INTEND TO SHOOT, so that your pistol cannot be fired when you do not mean to fire it.



CAUTION: USE ONLY CLEAN, DRY ORIGINAL HIGH QUALITY COMMERCIALY MANUFACTURED AMMUNITION IN GOOD CONDITION which is appropriate to the caliber of your pistol—see following table and Section 3 Caution 14. And never carry the pistol with a round in the chamber until ready to shoot.

**BARREL
CHAMBERED FOR:**

SUITABLE AMMUNITION

	45 ACP	38 Super Auto	9mm Luger	10mm Auto	40 Auto
45 ACP	yes	no	no	no	no
10mm Auto	no	no	no	yes	no
40 Auto	no	no	no	no	yes

READ AND UNDERSTAND ALL THE FOLLOWING PRECAUTIONS BEFORE REMOVING THIS FIREARM FROM ITS PACKAGE.

This Colt product is classified by the Alcohol, Tobacco and Firearms Division of the Internal Revenue Service, U.S. Treasury Department, as a firearm or dangerous weapon; it is, therefore, potentially lethal!



WARNING: IF THIS FIREARM IS CARELESSLY OR IMPROPERLY HANDLED, UNINTENTIONAL DISCHARGE COULD RESULT AND COULD CAUSE INJURY, DEATH, OR DAMAGE TO PROPERTY.



CAUTION: CAREFULLY READ THIS INSTRUCTION MANUAL WHICH GIVES BASIC ADVICE ON THE PROPER HANDLING AND FUNCTIONING OF THIS COLT FIREARM PRIOR TO LOADING AND FIRING. However, your safety and the safety of others (including your family) depends on your mature compliance with that advice, and your adoption, development and constant employment of safe practices.

If unfamiliar with firearms, seek further advice through safe handling courses run by your local gun clubs, NRA approved instructor, or similar qualified organizations.

NOTICE

Colt shall not be responsible for injury, death, or damage to property resulting from either intentional or accidental discharge of this firearm, or from its function when used for purposes or subjected to treatment for which it was not designed. Colt will not honor claims involving this firearm which result from careless or improper handling, unauthorized adjustment or parts replacement, corrosion, neglect, or the use of wrong caliber ammunition, or the use of ammunition other than original high quality commercially manufactured ammunition in good condition, or any combination thereof. Colt will not honor claims involving this firearm for any reason or cause when such claims are made by the second or subsequent owner.

IMPORTANT

Before it left the factory this firearm was tested, carefully inspected, and packaged. Colt cannot control product handling after it leaves the factory; therefore, please examine this firearm carefully at the time of purchase to insure that it is unloaded and undamaged. The dealer will be pleased to assist you in making this examination and endeavor to answer your further questions.

This instruction manual should always accompany this firearm. When you lend, give or sell this firearm, be sure this manual goes with it.

LIST OF SECTIONS

SECTION	TITLE	PAGE	SECTION	TITLE	PAGE
1	PRECAUTIONS	1		Carrying Modes	24
2	Main Features	4		Unloading	25
3	Safety Instructions:	5		To Unload	25
	Cautions	5		Firing	27
	Safety Features:	13		To Fire	28
	Trigger Guard	14	5	Maintenance:	31
	Safety Stop on Hammer	14		Stripping for Cleaning	32
	Decocking Lever	14		Assembling after Cleaning	36
	Disconnect Function of			When to Clean	38
	Drawbar	16		How to Clean	39
	Inertia Firing Pin	17		Cleaning the Magazine	41
	Firing Pin Lock	17		Storage	44
4	Function:	18		Servicing and Repair	45
	Ammunition Selection	20	6	Parts Illustration	
	Loading	20		and List	48
	To Load a Magazine	21	7	The Customized	
	To Load the Pistol	22		Gun	50

SAFETY DEPENDS ON YOU

The Colt Double Eagle is a double action, semi automatic, stainless steel pistol. It can be fired double action or single action and features a decocking lever which permits the hammer to be lowered from the full cock position without squeezing the trigger. Once the first shot is fired from each magazine, all subsequent shots will be fired single action unless the decocking lever is used.

Pistol Type	Barrel Length	Finishes	Magazine Capacity	Sights
Colt Double Eagle Double Action Semi Automatic	5 in.	Stainless Steel	8 (45 Cal) 8 (10mm Auto) 8 (40 Auto)	3 Dot Sight. Fixed square notch rear. Fixed blade front. Sight radius 6½ in.
Officer's ACP Double Eagle Pistol	3 ⁵ / ₈ in.	Stainless Steel	8 (45 Cal)	As above but with sight radius 5½ in.

We want you to enjoy shooting your Colt pistol, but we want you to enjoy it safely. You may be an experienced safe shooter already familiar with the procedures in this instruction manual, or you may never have handled a gun before. Either way we urge you to **READ THIS ENTIRE INSTRUCTION MANUAL CAREFULLY. YOU MUST FOLLOW THE SAFETY INSTRUCTIONS FOR YOUR SAFETY AND THE SAFETY OF OTHERS.**



WARNING: When *you* squeeze the trigger, *you* must expect the gun to fire, and *you* must take full responsibility for firing it. *Your* care can avoid accidental discharge, and *you* will thereby avoid accidental injury and death.

CAUTIONS:



GENERAL HANDLING CAUTIONS

1. **ALWAYS HANDLE YOUR PISTOL AS IF IT WERE LOADED** so that you never fire it accidentally when you think it is unloaded.
2. **NEVER POINT YOUR PISTOL AT ANYTHING YOU DO NOT INTEND**

TO SHOOT so that if it fires accidentally, injury, death, or damage to property will be prevented.

3. NEVER TAKE ANYONE'S WORD THAT A GUN IS UNLOADED; check for yourself with fingers off the trigger and gun pointed in a safe direction, so that you never fire the gun accidentally when you think it is unloaded.

4. ALWAYS MAKE SURE YOUR PISTOL IS NOT LOADED AND SLIDE IS LATCHED OPEN BEFORE LAYING IT DOWN, OR HANDING IT TO ANOTHER PERSON, so that it cannot be fired when it is unsafe to do so.

5. ALWAYS KEEP AND CARRY YOUR PISTOL EMPTY, WITH THE HAMMER FORWARD except when you intend to shoot, so that your pistol cannot be fired when you do not mean to fire it.

6. ALWAYS BE AWARE OF POSSIBLE RISK FROM DROPPING YOUR PISTOL. Some parts of the mechanism could be damaged. You may not see the damage but if it is severe, the pistol may discharge and cause injury, death, or damage to property. If your pistol has been dropped, have it examined by a competent gunsmith before using it again.

7. **NEVER LEAVE PISTOL COCKED READY TO FIRE** as this condition is extremely dangerous, and pistol could easily be accidentally discharged, causing injury, death, or damage to property.
8. **NEVER LEAVE A LOADED PISTOL UNATTENDED.** Someone, especially a child, may fire it and cause injury, death, or damage to property.
9. **ALWAYS INSTRUCT CHILDREN TO RESPECT FIREARMS.** If you teach your children to shoot, teach them or get them trained by a qualified instructor to treat and use the pistol properly, and always supervise them closely. Always stress safety so that your children will not fire the pistol when it is unsafe to do so.



RANGE CAUTIONS

10. **ALWAYS BE SURE YOUR BACKSTOP IS ADEQUATE** to stop and contain bullets before beginning target practice so that you do not hit anything outside the range shooting area. **THINK!** *What will you HIT if you MISS the target?*
11. **ALWAYS PUT A KNOWLEDGEABLE AND RESPONSIBLE PERSON IN CHARGE TO MAINTAIN SAFETY CONTROL WHEN A GROUP IS FIRING ON A RANGE.** Obey his commands so that discipline is maintained to reduce the likelihood of accidents.

12. ALWAYS CARRY YOUR PISTOL EMPTY WITH SLIDE LATCHED OPEN WHILE ON A RANGE until preparing to fire, keep it pointing towards the backstop when loading, firing and unloading, to eliminate the risk of injury, death, or damage to property.



LOADING/UNLOADING CAUTIONS

13. ALWAYS EXERCISE EXTREME CARE TO KEEP MUZZLE POINTING IN A SAFE DIRECTION, WELL CLEAR OF YOUR BODY, particularly when loading and unloading.

14. ALWAYS BE SURE BARREL BORE, CHAMBER AND ACTION ARE CLEAN AND CLEAR OF OBSTRUCTIONS. Clean a fouled pistol immediately so that it will function correctly and safely.

15. ALWAYS USE ONLY CLEAN, DRY, ORIGINAL HIGH QUALITY COMMERCIALY MANUFACTURED AMMUNITION IN GOOD CONDITION WHICH IS APPROPRIATE TO THE CALIBER OF YOUR PISTOL. (See Table on Page 1.) Gun and ammunition manufacturers design their products within exacting engineering safety limits. Handloads and remanufactured ammunition are sometimes outside those limits and can be so unsafe as to blow up the chamber, slide and receiver and cause injury, death, or damage to property.



SHOOTING CAUTIONS

16. NEVER DRINK ALCOHOLIC BEVERAGES OR TAKE DRUGS BEFORE OR DURING SHOOTING, as your vision, coordination and judgment could be seriously impaired making your gun handling unsafe.

17. ALWAYS SEEK A DOCTOR'S ADVICE IF YOU ARE TAKING MEDICATION, to be sure you are fit to shoot and handle your pistol safely.

18. ALWAYS WEAR AND ENCOURAGE OTHERS TO WEAR EAR PROTECTION WHEN SHOOTING, especially on a range. Without ear protection, the noise of even one shot from your pistol, and other guns close to you, could leave a "ringing" in the ears for some time after firing, while the cumulative long term effect could be permanent hearing loss.

19. ALWAYS WEAR AND ENCOURAGE OTHERS TO WEAR PROTECTIVE SHOOTING GLASSES. Flying particles could damage eyes and cause blindness; but protective shooting glasses should prevent such injury.

20. ALWAYS KEEP FINGERS CLEAR OF TRIGGER AND USE DECOCKING LEVER TO LOWER HAMMER DOWN ON SAFETY STOP. KEEP IT DOWN WHEN PISTOL IS LOADED UNTIL YOU ARE READY TO FIRE. This will minimize risk of an accidental discharge.

SAFETY DEPENDS ON YOU

- 21. ALWAYS KEEP CLEAR AND KEEP OTHERS CLEAR OF EJECTION PORT.** Spent cartridges are ejected with enough force to cause injury. The ejection port must also be unobstructed by your hand to insure safe ejection of live rounds. Never place fingers in ejection port; they could be burned by hot metal or injured by the slide moving forward.
- 22. NEVER SQUEEZE THE TRIGGER OR PUT YOUR FINGER IN THE TRIGGER GUARD UNTIL YOU ARE AIMING AT A TARGET AND READY TO SHOOT.** This will prevent you firing the pistol when it is pointing in an unsafe direction.
- 23. ALWAYS BE ABSOLUTELY SURE OF YOUR TARGET AND THE AREA BEHIND IT BEFORE YOU SQUEEZE THE TRIGGER.** A bullet could travel through or past your target up to 1½ miles . . . if in doubt, don't shoot. **THINK!** *What will you HIT if you MISS the target?*
- 24. NEVER SHOOT AT A HARD SURFACE SUCH AS ROCK, OR A LIQUID SURFACE SUCH AS WATER.** A bullet may ricochet and travel in any direction to strike you, or an object you cannot see, causing injury, death, or damage to property.
- 25. NEVER DISCHARGE A FIREARM NEAR FLAMMABLE MATERIAL.** Flame and sparks erupt from the firearm when discharged. They could start a fire or cause flammable liquids and gasses to explode.

26. NEVER FIRE YOUR PISTOL NEAR AN ANIMAL unless it is trained to accept the noise; an animal's startled reaction could injure it or cause an accident.

27. NEVER INDULGE IN "HORSEPLAY" WHILE HOLDING YOUR PISTOL as it may be accidentally discharged.

28. NEVER WALK, CLIMB OR FOLLOW A COMPANION WITH YOUR PISTOL COCKED READY TO FIRE, out of its holster, or with the hammer in any position other than forward on an empty chamber, to eliminate risk of accidental discharge. When hunting, hold your pistol so that you can always control the direction of the muzzle.



MALFUNCTION CAUTIONS

29. FAILURE TO FIRE: ALWAYS HOLD PISTOL, KEEPING IT POINTED TOWARD THE TARGET OR A SAFE OPEN AREA AND WAIT 30 SECONDS when pistol fails to fire. If a hangfire (slow ignition) has occurred, round will fire within 30 seconds. If round does not fire, remove magazine, eject round and examine primer; if firing pin indent on primer is light, off center, or non-existent, have pistol examined by a competent gunsmith before firing again. If firing pin indent on

primer appears normal (in comparison with similar previously fired rounds) assume faulty ammunition; segregate misfired round from other live ammunition and empty cases, reload and carry on firing.

Note: Dispose of misfired rounds in accordance with ammunition manufacturer's instructions.

30. NEVER USE YOUR PISTOL IF IT FAILS TO FUNCTION PROPERLY. AND NEVER FORCE A JAMMED ACTION, as a round may explode causing serious injury, possible death, or severe damage to your pistol.



CLEANING AND STORAGE CAUTIONS

31. ALWAYS MAKE SURE YOUR PISTOL IS NOT LOADED BEFORE CLEANING, STORING, TRAVELING, LAYING IT DOWN, OR HANDING IT TO ANOTHER PERSON, so that it cannot be fired when it is unsafe to do so.

32. ALWAYS KEEP AND STORE YOUR PISTOL AND AMMUNITION IN SEPARATE LOCKED RECEPTACLES OUT OF REACH AND SIGHT OF CHILDREN AND UNTRAINED PEOPLE, to minimize the risk of pistol and ammunition being easily available for loading and firing.



GUN ABUSE CAUTIONS

33. NEVER ABUSE YOUR FIREARM by using it for any purpose other than shooting.

34. NEVER DRY FIRE THE PISTOL WHEN THE SLIDE IS REMOVED FROM THE RECEIVER, and do not alter parts as the level of safety could be reduced.

NOTE: Please note that we have chosen to use the word "SQUEEZE" in this instruction manual instead of "PULL" or "PRESS" when trigger movement is described; this is simply to remind you of the need for a gentle squeezing action to achieve accuracy.

SAFETY FEATURES

Colt Double Eagle™ double action, semi-automatic pistols incorporate several positive safety devices which, if properly employed, can minimize the danger of accidental firing. These safety devices are described on the following pages.

Trigger Guard

The Trigger Guard is a metal loop around the trigger to protect it from damage and to help prevent accidental discharge.

Safety Stop on Hammer

The Safety Stop is a flat, shelf-like surface on the hammer which functions as an automatic fail-safe device. It will engage the sear in the unlikely event of primary sear notch failure. This will prevent the hammer from falling fully forward unintentionally and will insure against uncontrolled automatic fire. It also prevents the hammer from striking the firing pin should your hand slip from the slide or hammer while cocking the pistol, provided the hammer is rotated past the Safety Stop. *The Safety Stop is not a manual safety and should not be engaged by hand other than by the use of the decocking lever.*

Decocking Lever (See Figure 2)

Correct use of the decocking lever minimizes the risk of accidental discharge through mishandling by allowing the hammer to be decocked without touching the trigger. The decocking lever is located on left of pistol just below the slide lock. The decocking lever drops the hammer from the cocked position to the safety stop position without the trigger being squeezed. Thus,

the firing pin remains locked throughout the decocking function. With the hammer cocked, and fingers clear of the trigger, pushing the decocking lever down momentarily disengages the sear and leaves the hook of the hammer resting against the decocking lever. Releasing the decocking lever allows the hammer to move forward, and the sear to move back into contact with the hammer before the decocking lever trips out of engagement with the hook of the hammer. The hammer falls forward to be caught by the sear in the safety stop position.



CAUTION: ALWAYS POINT PISTOL IN A SAFE DIRECTION AND KEEP FINGERS CLEAR OF THE TRIGGER WHEN OPERATING THE DECOCKING LEVER TO LOWER THE HAMMER. This will avoid accidental injury in the unlikely event of pistol discharge.



WARNING: IF YOU TOUCH THE TRIGGER WHILE OPERATING THE DECOCKING LEVER, THE PISTOL MAY DISCHARGE AND CAUSE INJURY, DEATH, OR DAMAGE TO PROPERTY.

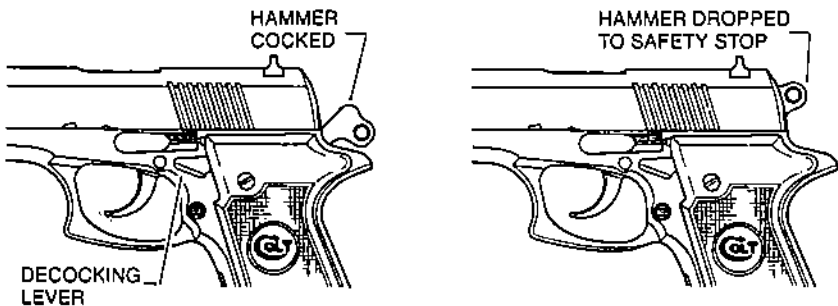


FIGURE 2—DECOCKING LEVER

Disconnect Function of the Drawbar

This safety device prevents a round being fired before it is in the chamber with the slide and the barrel locked. The disconnecter is part of the drawbar. When slide is not fully forward the disconnecter is depressed by the underside of the slide. This keeps the stud on the end of the drawbar from engaging the sear so that the hammer cannot be released if the trigger is squeezed. However, when slide and barrel are locked, a recess in the slide is aligned so that the disconnecter moves up by force of the drawbar spring. This allows the stud on the end of the drawbar to engage the sear so that the pistol can be fired by squeezing the trigger.



CAUTION: NEVER ATTEMPT TO CHECK OR DEMONSTRATE THE DISCONNECTOR FUNCTION WITH A LOADED PISTOL. Pushing on the muzzle with your hand or any other portion of the body is extremely dangerous and could result in accidental discharge causing injury, death, or damage to property.

Inertia Firing Pin

The Firing Pin, which is shorter than its housing, is held to the rear by a spring and cannot protrude through face of slide unless a hammer blow overcomes the spring force and the inertia of the pin.

Firing Pin Lock

The Firing Pin Lock engages the firing pin to prevent its movement until the trigger is squeezed. Housed in the slide, the Firing Pin Lock is spring loaded into engagement with the firing pin to prevent it striking the cartridge primer. Squeezing the trigger disengages the Firing Pin Lock before the sear releases the hammer to strike the firing pin and discharge the pistol. This safety device minimizes the risk of accidental discharge through mishandling such as when a loaded pistol is dropped or receives a blow to the muzzle.

IMPORTANT: These safety devices are designed and installed in this pistol to prevent accidental discharge. Of course, this Colt pistol is designed primarily to discharge bullets, and it will do this efficiently when it is loaded and you squeeze the trigger. *Always expect the gun to fire when you squeeze the trigger.*

SAFETY DEPENDS ON YOU

A Colt Double Eagle™ . . . double action, semi-automatic pistol is ready to fire when a loaded magazine is inserted into the pistol, the slide pulled back to cock hammer, and released to travel forward and feed a round from the magazine into the chamber. Final forward slide movement locks barrel and slide together and deactivates the disconnecter function of the drawbar.

The pistol may now be fired, single action, simply by squeezing the trigger lightly to release the hammer. Or, if the hammer is forward (decocked), the pistol may be fired just by squeezing the trigger firmly in double action. Squeezing the trigger moves the drawbar forward so that the drawbar lug engages the hook on the underside of the hammer. Movement of the lug against the hammer hook causes the hammer to rotate to the cocked position. Near the end of trigger movement, the drawbar lug acts on the plunger lever to unlock the firing pin, while also pushing the sear clear of the hammer. Final trigger movement cams the drawbar lug out of engagement with the hammer hook to release the hammer.

The hammer pivots forward under the force of the mainspring to strike the primer base of the cartridge. The energy imparted to the primer ignites the primer compound which in turn ignites the main powder charge which, in

burning, rapidly generates extremely high gas pressure to drive the bullet down the barrel. Rifling grooves in the barrel impart stabilizing spin to the bullet so that it will follow an accurate path to the target when it leaves the muzzle.

Force rearward on the slide breech face starts slide and barrel on their rearward travel; however, the slide unlocks from the barrel only after gas pressure is reduced to a safe level. Rearward slide travel depresses the drawbar, carries spent cartridge rearward on the extractor until the base of the cartridge strikes the ejector and is propelled through the ejection port. Slide movement continues under momentum to fully cock the hammer. If the last round in the magazine has been fired, the magazine follower will activate the slide stop to hold the slide to the rear, but if a round remains in the magazine, the slide will move forward to feed and lock the next round in the chamber.

The trigger must be released and squeezed again to fire the next round. When the trigger is squeezed, the lug on the drawbar acts on the plunger lever to disengage the firing pin lock. The lug on the drawbar also acts on the sear such that final trigger movement disengages the sear from the hammer to fire the pistol again.

At the end of any firing cycle when the hammer remains cocked, the

SAFETY DEPENDS ON YOU

decocking lever may be used to drop the hammer forward onto the safety stop without squeezing the trigger and without firing another round. This leaves the pistol ready to fire again in double action.

AMMUNITION SELECTION

Colt firearms are designed to function with a variety of brands and types of factory-manufactured ammunition in the appropriate caliber; but not all ammunition produces the same result. Colt recommends that after you read and understand this manual, you go to the range and fire different ammunition which is appropriate to the caliber of your firearm. Once you find the ammunition which functions best, keep using it when you most need it, especially when cutting-edge reliability and accuracy is vital to you.

LOADING



CAUTION: TO MINIMIZE RISK OF UNINTENTIONAL DISCHARGE, LOAD LIVE AMMUNITION INTO PISTOL ONLY WHEN YOU ARE ABOUT TO SHOOT.



CAUTION: ALWAYS EXERCISE EXTREME CARE TO KEEP MUZZLE POINTING IN A SAFE DIRECTION, WELL CLEAR OF YOUR BODY, particularly when loading and unloading.

To Load A Magazine:



1. **CAUTION: READ SAFETY INSTRUCTIONS (Section 3).**
2. Use only ammunition recommended inside front cover of this instruction manual as suitable for your pistol. **Examine the ammunition, particularly on and around the primer. Look for dents, scratches, and other signs of damage. Do not load damaged ammunition.**
3. With open end uppermost, grasp magazine in one hand. Place a round on magazine follower with base just forward of retaining lips (see Figure 3). Press round down and back until base of round touches rear flat edge of magazine. Place next round on top of previous round and press down and back. Repeat until magazine is loaded, but do **NOT** exceed its capacity. For magazine capacity, see Section 2—Main Features.



CAUTION: TO MINIMIZE RISK OF UNINTENTIONAL DISCHARGE, LOAD LIVE AMMUNITION INTO PISTOL ONLY WHEN YOU ARE ABOUT TO SHOOT.

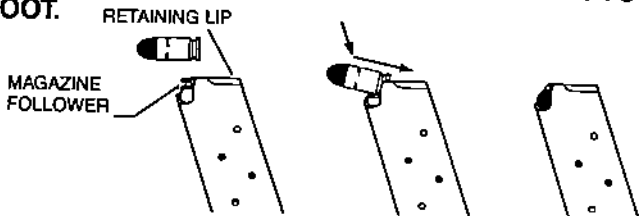


FIGURE 3—LOADING MAGAZINE

To Load The Pistol:

1. **CAUTION: READ SAFETY INSTRUCTIONS (Section 3)—KEEP PISTOL POINTING IN SAFE DIRECTION AND DO NOT TOUCH THE TRIGGER.**

2. Remove magazine from pistol. Place your hand under magazine to prevent it from falling and press magazine catch (located on left of pistol behind trigger guard) to drop the magazine out of the magazine well. (See Figure 4)

3. Hold pistol by stock with one hand. Keep other hand clear of ejection port and grasp serrated finger grips on both sides of slide. Pull slide back slightly and LOOK IN CHAMBER TO ENSURE IT IS EMPTY; allow slide to return forward. (If slide was fully to rear, release cocked hammer by

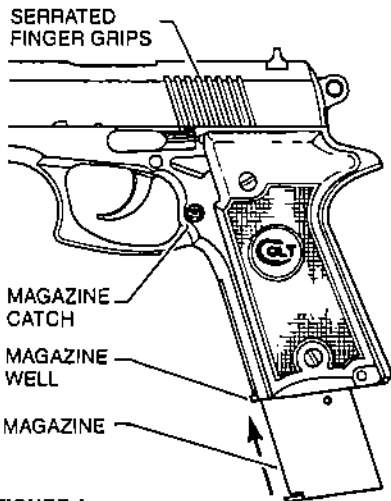


FIGURE 4—
MAGAZINE PARTIALLY INSERTED


pushing decocking lever down while keeping fingers clear of trigger.)

4. Insert loaded magazine into magazine well with bullets pointing forward. Push magazine fully "home" until magazine catch is heard to "click" locking it in place.

IMPORTANT: Do not strike base of magazine to drive it home—just push it firmly into pistol. Otherwise, you could damage magazine and injure your hand.

5. When you are ready to shoot, grip the slide as described in Step 3 and pull it firmly rearward to cock the hammer. Release the slide to feed a round from the magazine into the chamber. **THE PISTOL IS NOW LOADED, COCKED AND READY TO FIRE IN SINGLE ACTION BY SQUEEZING THE TRIGGER LIGHTLY.**

6. If you do not fire immediately keep fingers clear of trigger and press down on the decocking lever. This drops the hammer forward for safety and leaves pistol ready to fire in double action. **THE PISTOL IS NOW LOADED, DECOCKED AND READY TO FIRE IN DOUBLE ACTION. IT WILL FIRE WHEN YOU SQUEEZE THE TRIGGER FIRMLY.**

 **CAUTION: NEVER LEAVE PISTOL COCKED AND READY TO FIRE (as in Step 5) as this condition is extremely dangerous; pistol could easily be accidentally discharged, causing injury, death, or damage to property.**

CARRYING MODES

NOTE: This pistol may be carried in any one of the following modes according to your needs:

Mode 1: — **MAGAZINE EMPTY, CHAMBER EMPTY.**

— Pistol cannot be discharged.

— Use Mode 1 for storage, transporting, cleaning, repair, demonstrating and dry practice.

Mode 2: — **MAGAZINE LOADED, CHAMBER EMPTY, HAMMER DOWN.**

— Pistol cannot be fired until slide is cycled and trigger is squeezed lightly in single action.

— Use Mode 2 when **CARRYING THE PISTOL READY FOR USE.**

Mode 3: — **MAGAZINE LOADED, CHAMBER LOADED, HAMMER DOWN (DECOCKED).**

— Pistol can be fired when trigger is squeezed firmly in double action.

- Use Mode 3 when CARRYING THE PISTOL FOR IMMEDIATE USE.



WARNING: When you squeeze the trigger, you must expect the gun to fire, and you must take full responsibility for firing it. Your care can avoid accidental discharge, and you will thereby avoid accidental injury and death.

UNLOADING



CAUTION: ALWAYS UNLOAD YOUR PISTOL IMMEDIATELY AFTER USE AND BEFORE CLEANING AND STORAGE to minimize the risk of accidental discharge.

To Unload:

1. Be sure you are familiar with Safety Instructions in Section 3. **Keep pistol pointing in a safe direction, do not touch trigger and always keep hands away from muzzle and ejection port.**
2. Place hand under magazine to prevent it falling and press magazine catch to release and eject magazine.

NOTE: If slide is fully rearward, Step 3 does not apply.

SAFETY DEPENDS ON YOU

3. Using serrated finger grips pull slide sharply rearward to extract and eject a round from the chamber. Keep your hands clear of the ejection port to allow round to eject without obstruction. Examine previously chambered round for dents or other damage and dispose of it as explained in Paragraph 7.



4. CAUTION: KEEP PISTOL POINTING IN A SAFE DIRECTION WHILE YOU LOOK IN THE CHAMBER TO ENSURE IT IS EMPTY AND SEE THAT MAGAZINE HAS BEEN REMOVED.

5. Keep pistol pointing in a safe direction, allow slide to return forward on empty chamber and squeeze the trigger to allow hammer to fall forward. (If slide is held to rear by the slide stop, pull slide back slightly, then release it.) Squeezing the trigger instead of using the decocking lever in this step makes doubly sure that the chamber is empty.

6. Remove remaining live rounds by sliding them forward out of the magazine.

7. Collect undamaged live ammunition for safe storage and future use. Collect spent cartridge cases for disposal. **Segregate misfired and damaged live ammunition for disposal according to ammunition manufacturer's instructions.**

FIRING

Before firing your Colt pistol, practice your stance, aim, rhythm and breathing for steady aim, with your pistol UNLOADED.

Practice firing on a range before going hunting or using your pistol for any other type of shooting.



CAUTIONS:

- 1. ALWAYS WEAR AND ENCOURAGE OTHERS TO WEAR EAR PROTECTION WHEN SHOOTING,** especially on a range. Without ear protection, the noise of just one round from your pistol, and other guns close to you, could leave a “ringing” in your ears for some time after firing, while the cumulative long term effect could be permanent hearing loss.
- 2. ALWAYS WEAR AND ENCOURAGE OTHERS TO WEAR PROTECTIVE SHOOTING GLASSES.** Flying particles could damage eyes and cause blindness; but protective shooting glasses should prevent such injury.

To Fire:

1. CAUTION: READ SAFETY INSTRUCTIONS (Section 3)—KEEP PISTOL POINTING IN SAFE DIRECTION AND DO NOT TOUCH THE TRIGGER.

2. Load pistol as previously described.

NOTE: If hammer is forward (decocked), pistol may be fired double action by squeezing the trigger firmly. It may also be fired single action by first cocking the hammer fully rearward with your thumb before squeezing the trigger lightly.

3. Grasp pistol by stock and, with index finger resting along the outside of trigger guard, take aim. Aim by aligning target with front and rear sights. (See Figure 5)

4. **NOTE:** Single action trigger pull is much lighter than double action trigger pull.

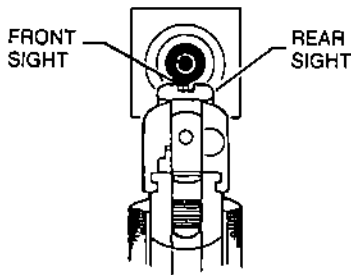


FIGURE 5--AIMING

5. Keeping steady aim, place index finger on trigger and squeeze gently until hammer falls. Don't jerk the trigger as you will disturb your aim and spoil your accuracy. To fire the second and subsequent rounds, all that is necessary is to release the trigger and squeeze it again after every shot until you have completed firing.

6. THIS IS A SEMI-AUTOMATIC PISTOL AND IS IMMEDIATELY LOADED AND COCKED READY TO FIRE AGAIN AFTER EACH SHOT UNTIL THE MAGAZINE IS EMPTY.

NOTE: This pistol can be fired without a magazine in place.

7. Release trigger, remove index finger from trigger. Push down on the decocking lever and release it. This will decock the hammer without having to squeeze the trigger. However, if you have fired the last round from the magazine, the slide will stay to the rear, ready for magazines to be changed.



CAUTION: IF PISTOL FAILS TO FIRE, HOLD IT, KEEPING IT POINTED TOWARD THE TARGET OR SAFE OPEN AREA AND WAIT 30 SECONDS. If a hangfire (slow ignition) has occurred, round will fire within 30 seconds. If round does not fire, remove magazine, eject round and examine primer. If firing pin indent on primer is light, off center or non-existent, have pistol examined by a competent gunsmith before firing

SAFETY DEPENDS ON YOU

again. If firing pin on primer appears normal (in comparison with similar previously fired rounds) assume faulty ammunition; segregate misfired round from other live ammunition and empty cases; reload and carry on firing.

NOTE: Dispose of misfired rounds in accordance with the ammunition manufacturer's instructions.



8. CAUTION: KEEP PISTOL POINTING IN A SAFE DIRECTION. Unload as previously described.

IMPORTANT: If you cock your pistol but do not fire it, use decocking lever to lower hammer. If you lose the opportunity to fire, unload your pistol as previously described. Remember, if a round is in the chamber there is a risk of accidental discharge.



CAUTION: NEVER LEAVE PISTOL COCKED READY TO FIRE as the fire condition is extremely dangerous, and pistol could easily be accidentally discharged causing injury, death, or damage to property.

Like any other precision mechanism, your pistol will function better, last longer, and remain safer when it is properly maintained. Follow the advice in this Section to keep your pistol in peak condition. Keep your pistol clean and properly lubricated to prolong its reliable life.

**CAUTIONS:**

- 1. ENSURE THAT MAGAZINE IS REMOVED AND THE PISTOL IS NOT LOADED BEFORE STRIPPING AND CLEANING, so that pistol will not fire.**
- 2. WEAR SAFETY GLASSES in case you lose control of some spring loaded component such as the recoil spring or plug which could injure your eyes.**
- 3. NEVER DRY FIRE THE PISTOL WHEN THE SLIDE IS REMOVED FROM THE RECEIVER, and do not alter parts as the level of safety could be reduced.**

NOTE: Force is unnecessary and should never be used to strip or assemble your pistol.

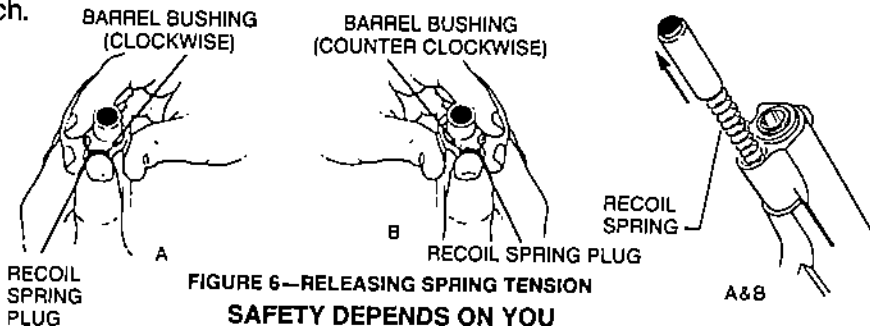
STRIPPING FOR CLEANING

Disassembly and reassembly of most Double Eagle pistols are the same. They are different for the Officer's ACP Double Eagle pistol. The steps of these procedures are marked A and B to help you follow the correct sequence for your pistol.

A = Most Double Eagle pistols.

B = Officer's ACP Double Eagle pistol.

1. **(A & B)** Ensure magazine is removed and pistol is NOT loaded. Be sure you are familiar with the Safety Instructions in Section 3.
2. **(A & B)** With muzzle pointing upward, rest pistol on heel of butt on a table or bench.



 **CAUTION: THE SPRINGS ARE STRONG AND COULD FLY OUT AND INJURE OR EVEN BLIND SOMEONE if they are not handled with care.**

3. **(A)** Push slide back about $\frac{1}{4}$ inch, press down on recoil spring plug (located just below muzzle) and at same time rotate barrel bushing *clockwise* about $\frac{1}{4}$ turn, using barrel bushing wrench if necessary; this will free plug and recoil spring. Keep pressure on plug to prevent it being ejected by the spring, then allow plug and spring to gradually extend out of the slide. (See Figure 6)

Rotate plug counterclockwise and remove from spring.

NOTE: There are 2 recoil springs in the Officer's ACP Double Eagle pistol, one inside the other.

3. **(B)** Press down on recoil spring plug (located just below muzzle) and at same time rotate barrel bushing *counterclockwise* about $\frac{1}{4}$ turn (See Figure 6); then pull bushing forward and out. Using a screwdriver, push the recoil spring plug in and turn it about $\frac{1}{2}$ turn to left or right. (See Figure 7) Control the spring force as you carefully allow the plug and two recoil springs to extend out of the slide. Remove plug from springs. (See Figure 6)

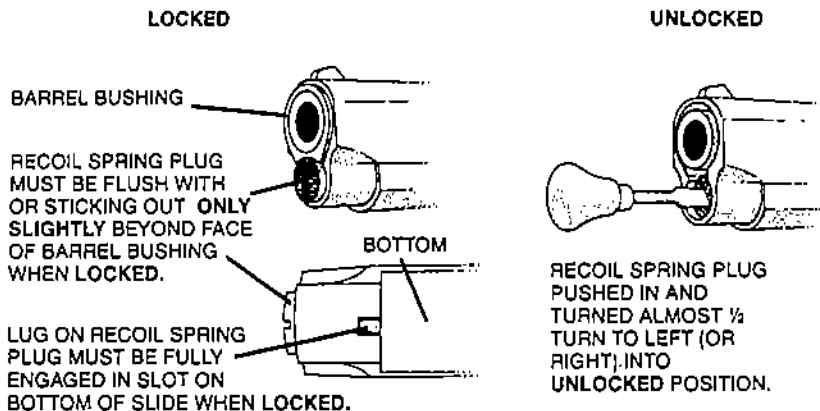


FIGURE 7—OFFICER'S ACP RECOIL SPRING PLUG LOCKED AND UNLOCKED

4. **(A & B)** Cock hammer by pulling back on hammer spur.
5. **(A & B)** Pull slide to rear until lug on slide stop is opposite disassembly notch (See Figure 8) and push rounded end of pin of slide stop (on right of receiver) inward and through receiver to disengage slide stop from slide.

6. **(A & B)** Lift out slide stop. (See Figure 8)
7. **(A & B)** Push slide forward off the receiver.
8. **(A & B)** Lift recoil spring and guide and pull them rearward out of slide. (See Figure 9)
9. **(A)** Turn barrel bushing counterclockwise, push barrel and barrel bushing forward until bushing is clear of slide, then remove bushing from barrel.
9. **(B)** No action; proceed to step 10. (Barrel bushing was removed at step 3B.)
10. **(A & B)** Push link forward and remove barrel from front of slide.

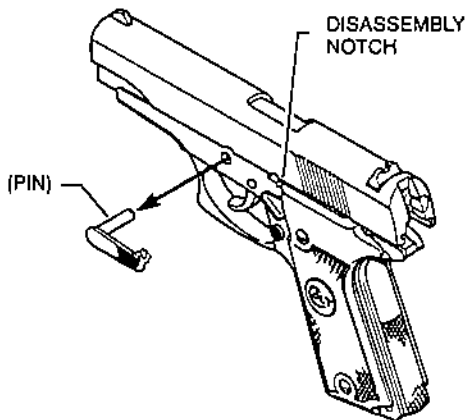


FIGURE 8—REMOVING SLIDE STOP

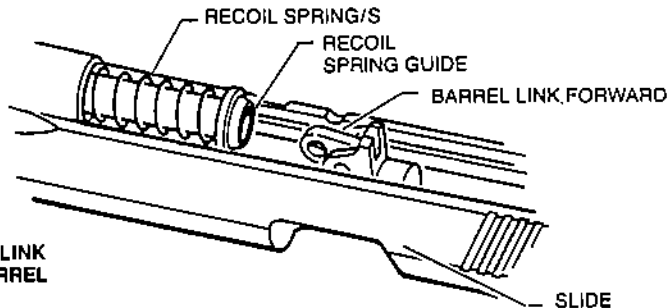


FIGURE 9—ALIGNING LINK FOR REMOVAL OF BARREL

IMPORTANT: Do not strip your pistol further than previously described. Do not remove or alter parts, particularly safety parts. If additional maintenance is required, see "Service and Repair" later in this instruction manual.

ASSEMBLING AFTER CLEANING

NOTE: Assemble in reverse order 10 through 8. At 8, while assembling the recoil spring and guide make sure the closed end of the recoil spring is seated in the base of the guide. Then place them in the slide.

NOTE: The Officer's ACP Double Eagle pistol has two recoil springs—other pistols have one.

Continue assembly 8 through 6.

At 6 make sure the plunger lever is down (forward) in the top of receiver, then tip the receiver forward to keep the plunger lever down as you run the slide onto the receiver. Move the slide along the receiver until the link is exposed through the slide stop hole. Insert the slide stop into the receiver and through the barrel link, taking care not to scratch the pistol. Snap the slide stop into place by pressing up and in against the slide stop detent when the disassembly notch is properly aligned (See Figure 10). This also completes Step 5. Then continue assembling in reverse order 4 through 1.

Finally, while the pistol is still empty (unloaded), check that the recoil spring plug on the Officer's ACP is correctly seated and locked. To do so, see Figure 7 on page 34 and note that the recoil spring plug must be flush with, or protruding *only slightly* beyond, the face of the *barrel bushing* when the screwdriver slot is vertical. Double check by looking at the bottom of the slide, just in front of the receiver, to ensure the lug on the recoil spring plug is fully seated in its slot on the slide.



CAUTION: YOU COULD DAMAGE YOUR PISTOL WHEN YOU FIRE, OR ATTEMPT TO FIRE IF THE RECOIL SPRING PLUG IS NOT CORRECTLY SEATED AND LOCKED AS DESCRIBED ABOVE.

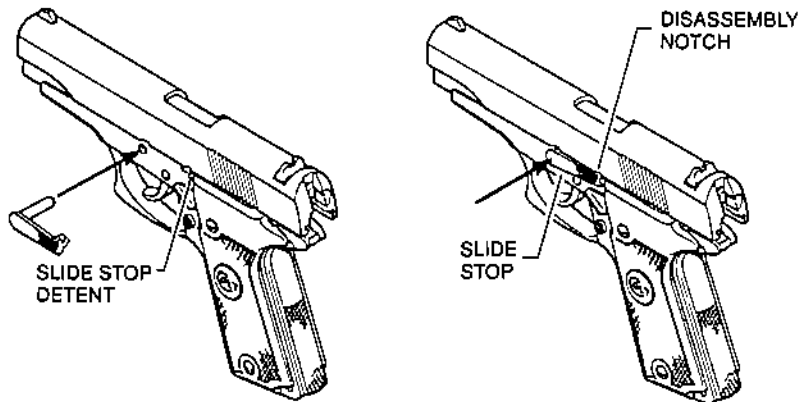


FIGURE 10—INSTALLING SLIDE STOP

WHEN TO CLEAN

You should clean your pistol as soon after firing as possible so that the job will be easier and there will be less opportunity for corrosion to start. When your pistol has not been fired, clean it periodically; we suggest once or twice a year in a temperate climate, or as often as once a month in a tropical climate. If you carry a loaded pistol, UNLOAD it and clean it at least once a month. If you get your pistol wet, clean it as soon as possible.

HOW TO CLEAN

The following cleaning procedure may be used both periodically and after firing; however, those items marked "*" are unnecessary for periodic cleaning.

Materials: Cleaning rod, cotton flannel patches (cut to fit snugly into the bore), a small toothbrush, good quality light gun oil, *gun cleaning solution, and *a brass wire bristle bore cleaning brush.

NOTE: In freezing conditions (below 32°F or 0°C) avoid the use of oil for lubrication; instead, apply a dry lubricant sparingly.

Procedure:



1. **CAUTION: ENSURE THAT THE PISTOL IS NOT LOADED.**

2. Strip for cleaning as previously described.

NOTE: Avoid contact between cleaning rod and muzzle as resultant wear will reduce accuracy.

3. Attach cotton flannel patch to end of cleaning rod, insert it in breech and pass rod and patch down through barrel. Repeat, changing patches until last patch comes out clean.

SAFETY DEPENDS ON YOU

4. Visually inspect barrel; if it is clean, proceed directly to Step 7, but if it remains dirty, continue with Step 5.
5. ***(NOTE: This item should be applicable only after firing.)*** Attach brass wire bristle brush to cleaning rod and dip brush in gun cleaning solution. Thoroughly scrub out barrel, passing the brush all the way through before reversing the movement. If you try to change direction with brush in barrel, the brush will stick.
6. Repeat Steps 3 and 4 above.
7. Clean rear face of barrel and face of slide, using a small toothbrush.
8. Lightly moisten a flannel patch with gun oil and pass it once through barrel, leaving a thin film of oil on the inside surface. Leave this film of oil on the inside surface if pistol is to be stored. If it is not to be stored, or if it is being removed from storage for use, pass a dry patch through barrel to remove as much oil as possible.
9. Check that flannel or brush bristles have not become lodged in any part of pistol, then wipe all external surfaces with a flannel patch moistened with gun oil. (See note on cold weather lubrication.)

10. Reassemble pistol as previously described.
11. Again wipe external surfaces with oil moistened patch to remove any finger prints. (Finger moisture, if left, could start a corrosion process.) (See note on cold weather lubrication.)
12. Remove any gun cleaning solution and oil from the stock.

CLEANING THE MAGAZINE

It is advisable to clean the magazine(s) whenever the pistol is cleaned. To do so, remove the magazine follower and spring and clean all components, taking care to remove carbon deposits from the lips of the magazine and the magazine follower. Wipe components with lightly oiled cloth and reassemble.

The 10mm and 40 Auto magazines are disassembled from the bottom while magazines for most other calibers are disassembled from the top.

10mm and 40 Auto Caliber Magazines (See Figure 11)

The 10mm and 40 Auto magazines have a removable base.

To remove the base, push in the base lock which sticks out through a hole in the base, and slide the base off towards the front of the magazine. Then remove the base lock by sliding it towards the front of the magazine.

The spring and follower can now be removed through the bottom of the magazine.

To assemble this magazine, insert the follower and spring through the bottom of the magazine. Be sure that the top coil of the spring is installed towards the front of the magazine. Compress the spring and slide the base lock under the two tabs on the bottom of the magazine. Depress the base lock and slide the base under the two tabs and towards the rear of the magazine. Carefully align the protrusion on the base lock with the hole in the base until the base lock sticks out through the hole.

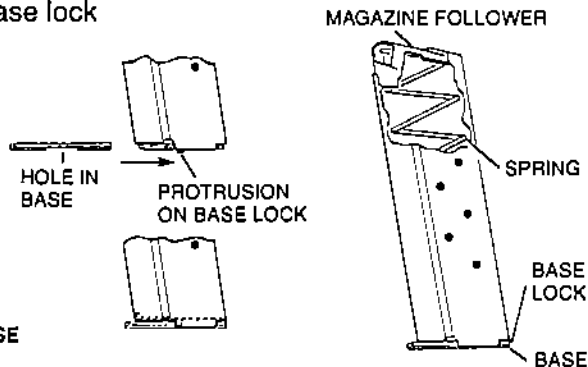


FIGURE 11—MAGAZINE ASSEMBLY WITH REMOVABLE BASE

Magazine For Most Calibers Other Than 10mm

(See Figure 12)

To remove this magazine follower and spring, depress them with a piece of wood (pen or pencil) about two inches into the magazine and insert a thin rod (small screwdriver) through the lower of the front two holes in the magazine body. This will hold the spring under tension.

Turn the magazine upside down and lightly tap it so that the follower falls away from the spring; lift out the follower from the magazine body. Push down on the spring to take up the spring tension, remove the thin rod and allow the spring to extend, then remove it completely.

To assemble this magazine, place the spring correctly oriented, i.e. with loop uppermost pointing forward into the magazine body, compress the spring and insert a thin rod as for dismantling. Place the follower in the magazine, take up the spring tension, remove the thin rod and allow the spring to reassert its influence on the follower.

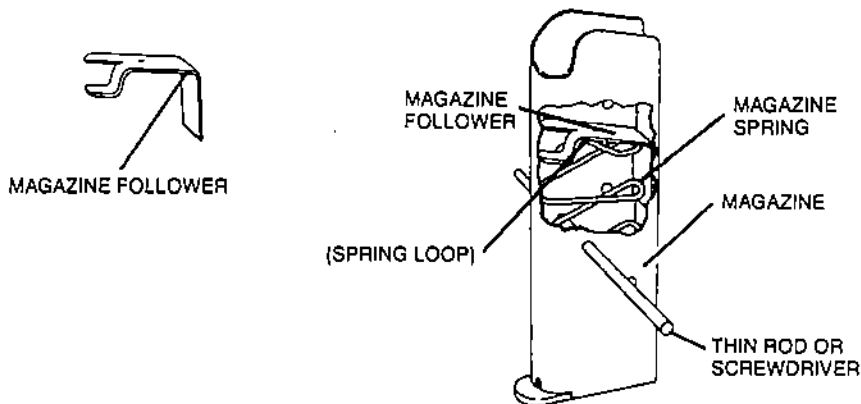


FIGURE 12—MAGAZINE ASSEMBLY WITHOUT REMOVABLE BASE

STORAGE



CAUTION: ALWAYS UNLOAD YOUR PISTOL FOR STORAGE AND STORE AMMUNITION SEPARATELY.

Keep and store your pistol and ammunition securely locked and in separate locations out of reach and sight of children. (Children are naturally curious and do not always believe the real danger of guns.)

NOTE: Do not store your pistol in an air-tight container, and do not seal or attempt to seal the barrel to exclude dust, as the internal steel surface is more likely to corrode. Use the Colt packaging case to carry and store your EMPTY pistol.

SERVICING AND REPAIR

Should your pistol require adjustment, or repair, make sure it is NOT LOADED and send it to COLT'S. For spare parts, seek advice from the Dealer who should have up to date information on how best to obtain genuine Colt parts.

An illustration and list of part names are included in the next section of this instruction manual to help you identify the part you need, but it is important to note that all parts are not available for sale. Those parts which are available should be installed by Colt's or by a competent gunsmith. When ordering parts, please give part name as given on the Parts List. Also give the caliber, model name, serial number and metal finish of your pistol. i.e., whether blue or nickel.

IMPORTANT: If you make unauthorized adjustments or use unauthorized parts, Colt will not assume responsibility for the functioning of this pistol.

THIS GUN IS MANUFACTURED TO PERFORM PROPERLY WITH THE ORIGINAL PARTS AS DESIGNED. IT IS YOUR DUTY TO MAKE SURE ANY PARTS YOU BUY ARE INSTALLED CORRECTLY AND THAT NEITHER REPLACEMENTS NOR ORIGINALS ARE ALTERED OR CHANGED. This is why we say return it to Colt's . YOUR GUN IS A COMPLEX TOOL WITH MANY PARTS THAT MUST RELATE CORRECTLY TO OTHER PARTS. PUTTING A GUN TOGETHER WRONG OR WITH MODIFIED PARTS CAN RESULT IN A DAMAGED GUN, DANGER, AND INJURY OR DEATH TO YOU AND OTHERS THROUGH MALFUNCTION. ALWAYS LET A QUALIFIED GUNSMITH WORK ON YOUR GUN AND CHECK ANY WORK YOU THINK WAS NOT PERFORMED BY A GUNSMITH. We at Colt think this is a small price to pay for firearms safety.

NOTE: Various Federal and State laws and local ordinances govern the transfer and transportation of firearms, so take the advice of the Dealer in your state on how to send or transport your firearm to Colt's. Before shipping your pistol, here are some important points to remember:



1. CAUTION: MAKE SURE THAT THE MAGAZINE AND PISTOL ARE NOT LOADED.

2. Write a letter explaining the problem and your requirements in as much detail as possible. Include the model name and serial number of your pistol together with your return address, then enclose it with the empty pistol in the Colt packaging case or a well padded package.

3. Do not send presentation boxes, accessories or ammunition.

4. Colt's address for receiving packages is: CMI
Talcott Road
West Hartford
CT 06010

5. Do not indicate the contents, or include "COLT" in the address on the package so that an inquisitive thief is not attracted to it by such information.

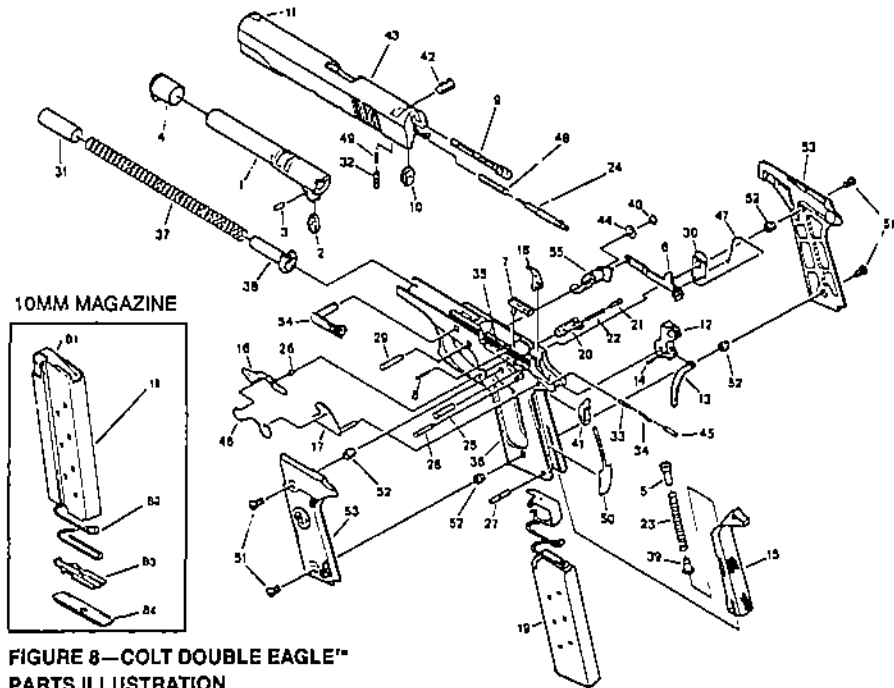
6. Insure the package contents against loss or theft.

SECTION 6**PARTS ILLUSTRATION AND LIST**

This section is provided so that you may identify names of parts for your own interest. However, for adjustment, repair or spare parts information, see Section 5 "Servicing and Repair."

DESCRIPTION

- | | | |
|-------------------------------|--------------------------------|---------------------------------|
| 1. Barrel | 19. Magazine Assembly | 40. Ring, Retaining, Trigger |
| 2. Barrel Link | 20. Magazine Catch | 41. Sear |
| 3. Barrel Link Pin | 21. Magazine Catch Lock | 42. Sight, Rear |
| 4. Bushing, Barrel | 22. Magazine Catch/Gate Spring | 43. Slide, D.A. |
| 5. Cap, Mainspring | 23. Mainspring | 44. Spacer Washer |
| 6. Drawbar | 24. Pin, Firing | 45. Spirol Pin |
| 7. Ejector | 25. Pin, Hammer | 46. Spring, Decocking |
| 8. Ejector Pin | 26. Pin, Lever, Decocking | 47. Spring, Drawbar |
| 9. Extractor | 27. Pin, Mainspring Housing | 48. Spring, Firing Pin |
| 10. Firing Pin Stop | 28. Pin, Sear | 49. Spring, Plunger, Firing Pin |
| 11. Front Sight | 29. Pin, Trigger | 50. Spring, Sear |
| 12. Hammer | 30. Plate Retaining | 51. Stock Screws (4) |
| 13. Hammer Strut | 31. Plug, Recoil Spring | 52. Stock Screw Bushings (4) |
| 14. Hammer Strut Pin | 32. Plunger, Firing Pin | 53. Stock Set |
| 15. Housing, Mainspring | 33. Plunger, Slide Stop | 54. Stop, Slide |
| 16. Lever, Decocking, Forward | 34. Plunger Spring | 55. Trigger |
| 17. Lever, Decocking, Rear | 35. Plunger Tube | |
| 18. Lever, Plunger (3 Sizes) | 36. Receiver | B1. Magazine Follower |
| 1. Mid Size | 37. Recoil Spring | B2. Magazine Spring |
| 2. Large | 38. Recoil Spring Guide | B3. Magazine Base Lock |
| 3. Small | 39. Retainer, Pin | B4. Magazine Base |



Our Colt Custom Shop offers a wide range of special services such as engraving, inlaying and special serializing to the same high standard of quality long synonymous with the name "COLT". Sometimes modifications, which meet our customer's special requirements, necessitate deviations from standard design and manufacturing tolerances which result in functional differences from a standard gun. Consequently, this instruction manual does not apply to a customized gun unless its applicability has been confirmed by the Colt Custom Shop. For further information, write to Colt Custom Shop, P.O. Box 1868, Hartford, Connecticut 06144-1868, USA.

FIREARM RECORD

Colt Model _____

Serial No. _____

Caliber _____

Purchased
from _____

Date
Purchased _____

Purchase
Price _____

SAFETY DEPENDS ON YOU

WARRANTY STATEMENT

Based on Magnuson-Moss Warranty Act, Colt offers no express warranty on its product line. However, Colt recognizes its obligations concerning implied warranty. Colt also stands behind its products as it has historically, and will continue to provide service to its product line as it has over the years. Colt products will be serviced for a period of one year from the date of retail purchase, for defects in materials or workmanship, at no charge to the purchaser. Be sure to retain your sales slip as proof of purchase date when making a claim.



HEALTH AND ENVIRONMENTAL WARNING

Discharging firearms in poorly ventilated areas, cleaning firearms, or handling ammunition may result in exposure to lead and other substances known to cause birth defects, reproductive harm, cancer, and other serious physical injury. Have adequate ventilation at all times. Wash hands thoroughly after exposure.

If your instruction manual becomes lost or destroyed, obtain a replacement by writing to **Colt's Manufacturing Company, Inc., Box 1868, Hartford, Connecticut 06144-1868** or call **1-800-962-COLT**. Make a note of the address. When requesting a manual, include the information which is on the left side of your firearm together with its serial number or quote the Part No. as shown on the back cover of this manual.



, the Rampant Colt figure, Double Eagle™, and all other Colt trademarks are the exclusive property of Colt's Manufacturing Company, Inc. For permission to reprint for noncommercial instructional purposes, prior approval from Colt's is required.

This instruction manual should always accompany this firearm. When you lend, give or sell this firearm, be sure this manual goes with it.



Avvertimento Italiano

Se c'è qualcosa che non riuscite a capire, rivolgetevi a qualcuno che sia qualificato nel maneggiare in maniera sicura le armi da fuoco.

Advertencia en Español

Para cualquier aclaración de esta manual, consulte con alguna persona perita en el manejo seguro de armas de fuego.

Message Secutaire en Français

Pour tous renseignements complémentaires, veuillez consulter un armurier qualifié dans le manement de ces armes.

Deutsche Sicherheitshinweise

Sollten Sie noch weitere Fragen haben, wenden Sie sich bitte an einen Waffenspezialisten.

FUNDAMENTAL NRA RULES FOR SAFE GUN HANDLING

- 1. ALWAYS KEEP THE GUN POINTED IN A SAFE DIRECTION.**
- 2. ALWAYS KEEP YOUR FINGERS OFF THE TRIGGER UNTIL READY TO SHOOT.**
- 3. ALWAYS KEEP THE GUN UNLOADED UNTIL READY TO USE.**