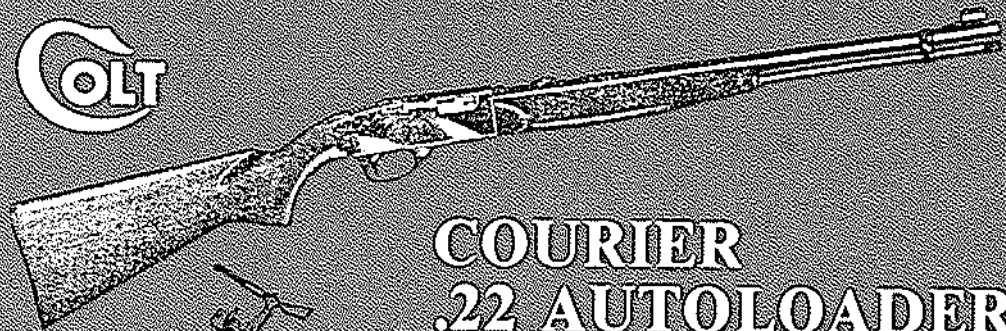


The Colt logo, featuring the word "COLT" in a stylized, bold, sans-serif font, enclosed within a thick, curved line that forms a partial circle.

COURIER .22 AUTOLOADER

A black and white line drawing of a cowboy on horseback, galloping to the left. The cowboy is wearing a wide-brimmed hat and is holding a rifle upright in his right hand. The horse is in a full gallop, with its front legs extended forward and its back legs pushing off. The background is simple, with a few horizontal lines suggesting a landscape or a fence.

STYLED IN THE BOLD TRADITION
OF THE OLD WEST WITH
MODERN AUTOLOADING ACTION

REFLECTING COLT TRADITION OF FINE CRAFTSMANSHIP SINCE 1836

COURIER .22 AUTOLOADER

Colt announces its famous autoloading .22 rifle action in an all new design, the Courier.

The shooting comfort of a pistol grip type stock and streamlined appearance of a tapered, hand-filling fore-end . . . both of solid walnut, combine to deliver a thoroughly modern .22 autoloader of exceptional reliability.

Lightweight . . . 4½ pounds. Receiver dovetail grooved for tip-off scope mount. Shoots .22 long rifle, standard or high velocity ammo. Here's a rifle you'll be proud to own. Made in Hartford, Conn. by Colt craftsmen.



GENERAL OPERATING INSTRUCTIONS

Ammunition—Shoots all .22 long rifle ammunition, regular or hi-speed.

Safety— The Safety button (43) is located at the rear of the trigger guard (64). Slide Safety button from left to right to lock in "safe" position. Slide Safety button from right to left for "fire" position. When Safety button is in "fire" position, a band of red appears on the button, indicating the rifle is ready to fire.

OPERATION

To Load— Grasp magazine cap (31) and turn counterclockwise to release. Withdraw inner magazine tube from outer magazine tube until the loading port in outer magazine tube is open. Load from one to 15 cartridges in loading port, then push inner magazine tube back into position and lock.

Chamber may now be loaded by pulling cocking handle (41) to its extreme rear position and allowing it to go forward to closed position. After loading chamber, one more cartridge may be fed into the magazine for full fire load of 16 shots.

The gun may now be fired by pulling the trigger. Only one shot will fire with each pull of the trigger. Trigger must be released and pulled again for each additional shot.

ALWAYS keep Rifle on Safe until you are ready to fire it.

To Unload— Put Rifle on "Safe". Remove inner magazine tube and point muzzle down so that cartridges will slide out of magazine tube. Retract bolt to extract round in chamber. Check magazine throat before closing bolt to make sure there is not an additional cartridge in position to feed into chamber.

Replace inner magazine tube, then open and close the bolt several times while looking in the ejection port to make sure there are no cartridges in the magazine, and that the chamber is empty.

Always treat the rifle as if it were loaded, even when you are sure it is empty.

To Disassemble— Check rifle to make sure it is not loaded. Remove inner magazine tube (33). Remove forearm screw (16). Remove forearm. Drive out pin (65). Pull back cocking handle to extreme rear. With bolt in this position, trigger guard assembly can be removed by pulling out just forward of the trigger guard. Bolt can then be removed by pulling back slightly on the cocking handle and pulling bolt out thru bottom of receiver. Bolt spring assembly (41) may now be removed easily. To function properly, moving parts should be kept clean and free of powder residue and oiled very lightly.

We do not recommend disassembly beyond this point, except by qualified persons or gunsmiths.

Do not pull trigger while trigger guard is removed from rifle as this puts undue strain on hammer and hammer stop pin.

Reassemble rifle by reversing the above procedure.

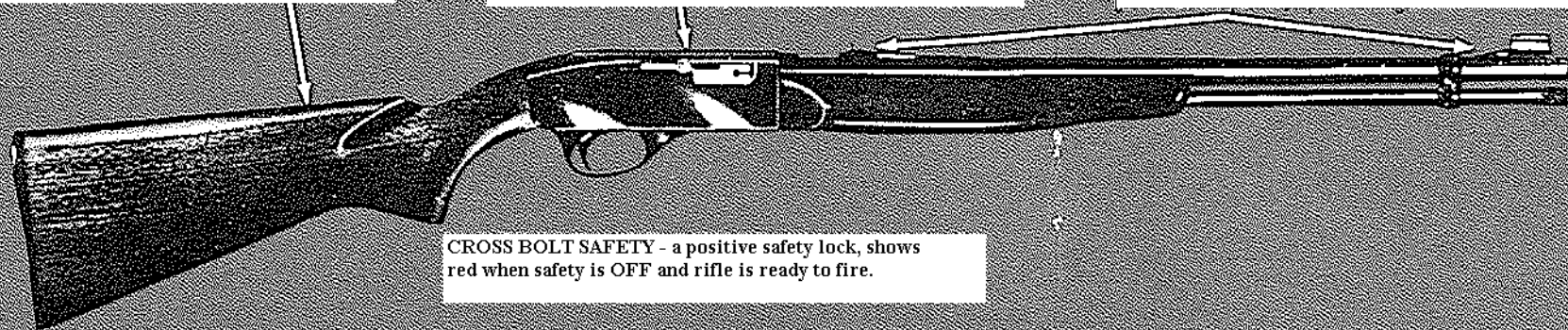
Sighting— Your rifle has been sighted at the factory to hit point of aim at 50 yards. We recommend that you sight-in your rifle personally to compensate for a possible difference in sighting vision. The rear sight is adjustable for both windage and elevation.

COURIER .22 AUTOLOADER

PISTOL GRIP STOCK - stock and fore-end made of solid American walnut.

REPEATING MECHANISM - a highly reliable semi-automatic repeating mechanism. The ultimate rifle, ideal for small game, varmints or just plain plinking.

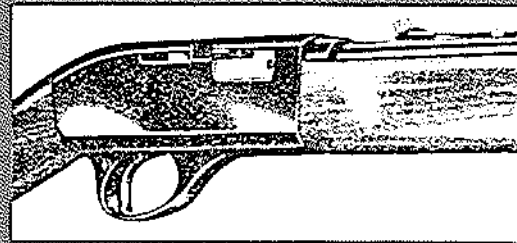
SIGHTS - Western style open rear sight adjustable for elevation and windage, hooded hold bead front sight. Receiver grooved for "tip-off" scope mounting.



CROSS BOLT SAFETY - a positive safety lock, shows red when safety is OFF and rifle is ready to fire.



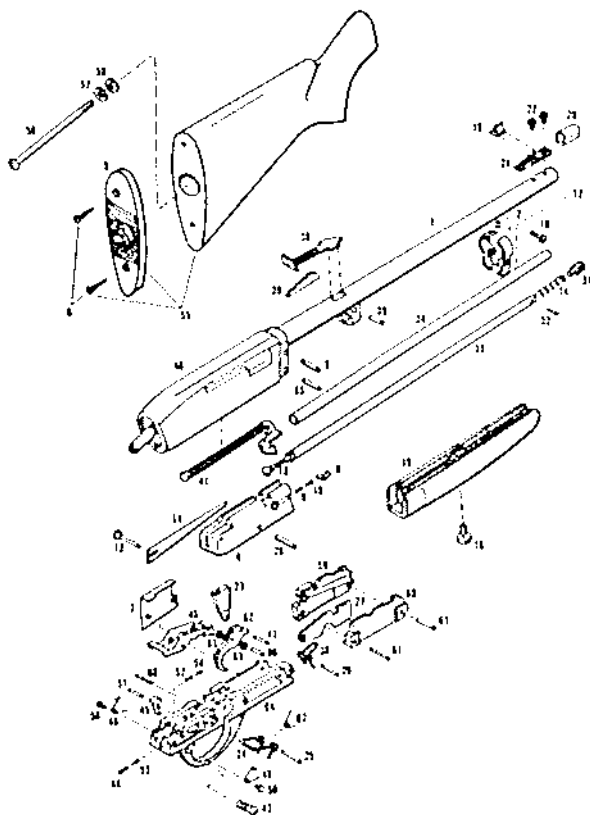
Hooded Gold Bead Sight. Tubular magazine holds 15 rounds.



View of automatic repeating mechanism, open rear sight and safety.

To disassemble the Courier .22 beyond the point described under "General Operating Instructions," the rifle should be brought to a qualified gunsmith, as would be done with any fine firearm.

Under terms of Warranty, Colt responsibility to the owner is limited to the extent that such disassembly be performed only by Colt Custom Repair Department.



Reference numbers are for illustration purposes only.
Use part numbers when ordering parts.

PARTS LIST

DRAW. NO.	NAME OF PART	PART NO.
1	Barrel Assembly	80920
2	Barrel Band Pin	95114
3	Barrel Retaining Pin	95123
4	Boft	83124
5	Boft Plate	80081
6	Boft Plate Screw (2 used)	93591
	Boft Stock Assembly	80916
7	Ejector Assembly	80272
8	Extractor	80833
9	Extractor Spring	80158
10	Extractor Spring Plunger	83159
11	Firing Pin	80128
12	Firing Pin Retaining Pin	95008
13	Follower	83129
14	Follower Spring	80130
15	Forearm	80131
16	Forearm Screw	80132
17	Front Band L.H.	70115
17	Front Band R.H.	70116
18	Front Band Screw	80275
19	Front Sight Bead	80331
20	Front Sight Hood	80351
21	Front Sight	80350
22	Front Sight Screw	80319
23	Hammer	80133
24	Hammer Spring	80134
25	Hammer Spring Pin	83105
27	Lifter	80135
28	Lifter Cam Pin	95143
29	Lifter Pin	95009
30	Lifter Spring	80135
31	Magazine Tube Cap	80139
32	Magazine Tube Cap Pin	95097
33	Magazine Tube, Inner	80137
34	Magazine Tube, Outer	80323
35	Magazine Tube Retaining Pin	95704
36	Rear Sight Leaf	94119
37	Rear Sight Elevator	94002
40	Receiver	Not for Sale
41	Recoll Spring Assembly	80243
43	Safety	80143
44	Safety Detent Spring	80317
45	Sear	80357
45	Sear Bar	80148
47	Sear Bar Pin	80395
48	Sear Bar Spring L.H.	80316
49	Sear Bar Spring R.H.	80147
50	Sear Bar Spring Pin	80346
51	Sear and Sear Bar Retaining Pin	80305
52	Sear Detent Spring	80148
53	Safety Spring Detent	80144
54	Sear Spring Detent	80144
56	Stock Boft	93501
57	Stock Boft Lock Washer	93092
58	Stock Boft Washer	93202
59	Throat L.H.	80151
60	Throat R.H.	80159
61	Throat Pin (2 used)	80321
62	Trigger Assembly	80301
63	Trigger Bushing (2 used)	80155
64	Trigger Guard	80153
65	Trigger Guard Pin	80207
66	Trigger Pin	95003
67	Trigger Spring	80503
68	Trigger Stop Pin	95008

FOR THE FINEST IN SHOOTING EQUIPMENT — **COLT** *since 1836*



STAGECOACH .22 AUTOLOADER

This rifle is styled after the heavier caliber carbines of the old west. Behind this picturesque styling is the newest semi-automatic repeating mechanism modern technology has produced. Other features include western style open rear sight, black walnut stock and fore-end, saddle ring and roll engraved frame. A fast rugged, accurate .22, every inch the outdoorsman's rifle.



SINGLE ACTION ARMY REVOLVER

.45 Colt, 357 Magnum. The original "Peacemaker" designed by Colt that helped win the West. Features case hardened frame; blued barrel, cylinder, trigger guard and backstrap; standard square butt. Rugged, dependable for hunter or camper.

Colt Industries



Firearms Division

Hartford, Connecticut, U.S.A. 06102