



**COLT**



# **COLTEER .22 AUTOLOADER**

STYLED IN THE BOLD TRADITION  
OF THE OLD WEST WITH  
MODERN AUTOLOADING ACTION



REFLECTING COLT TRADITION OF FINE CRAFTSMANSHIP SINCE 1836

# COLTEER .22 AUTOLOADER

From its true Western stock with classic straight lines, to its hooded Gold Bead front sight, this carbine combines old and new into a truly fine firearm, deserving of the famous Colt trademark. Its modern, autoloading action gives you the ultimate in a lightweight, easy-handlin' automatic for small game, varmints or just plain plinking. Has American walnut stock and fore-end. Barrel band on fore-end adds to its sporty look. Western style open rear sight adjustable for elevation and windage. Positive crossbolt safety. Weighs just  $4\frac{3}{4}$  pounds. Over-all length is 37". Receiver is grooved for "lipoff" scope mounting. Tubular magazine holds 15 .22 Long Rifles, Regular or High Speed. Here's a rifle you'll be proud to own. Made in Hartford, Conn. by Colt craftsmen.



## GENERAL OPERATING INSTRUCTIONS

**Ammunition**—Shoots all .22 long rifle ammunition, regular or hi-speed.

**Safety**—The Safety button (40) is located at the rear of the trigger guard (60). Slide Safety button from left to right to lock in "safe" position. Slide Safety button from right to left for "fire" position. When Safety button is in "fire" position, a band of red appears on the button, indicating the rifle is ready to fire.

## **OPERATION**

**To Load**—Grasp magazine cap (30) and turn counterclockwise to release. Withdraw inner magazine tube from outer magazine tube until the loading port in outer magazine tube is open. Load from one to 15 cartridges in loading port, then push inner magazine tube back into position and lock.

Chamber may now be loaded by pulling cocking handle (39) to its extreme rear position and allowing it to go forward to closed position. After loading chamber, one more cartridge may be fed into the magazine for full fire load of 16 shots.

The gun may now be fired by pulling the trigger. Only one shot will fire with each pull of the trigger. Trigger must be released and pulled again for each additional shot.

**ALWAYS** keep Rifle on Safe until you are ready to fire it.

**To Unload**—Put Rifle on "Safe". Remove inner magazine tube and point muzzle down so that cartridges will slide out of magazine tube. Retract bolt to extract round in chamber. Check magazine throat before closing bolt to make sure there is not an additional cartridge in position to feed into chamber.

Replace inner magazine tube, then open and close the bolt several times while looking in the ejection port to make sure there are no cartridges in the magazine, and that the chamber is empty.

Always treat the rifle as if it were loaded, even when you are sure it is empty.

**To Disassemble**—Check rifle to make sure it is not loaded. Remove inner magazine tube (32). Remove forearm screw (16) and barrel band screw (35). Slide barrel band off forearm (15). Remove forearm. Drive out pin (61). Pull back cocking handle to extreme rear. With bolt in this position, trigger guard assembly can be removed by pulling out just forward of the trigger guard. Bolt can then be removed by pulling back slightly on the cocking handle and pulling bolt out thru bottom of receiver. Bolt spring assembly (39) may now be removed easily. To function properly, moving parts should be kept clean and free of powder residue and oiled very lightly.

We do not recommend disassembly beyond this point, except by qualified persons or gunsmiths.

Do not pull trigger while trigger guard is removed from rifle as this puts undue strain on hammer and hammer stop pin.

Reassemble rifle by reversing the above procedure.

**Sighting**—Your rifle has been sighted at the factory to hit point of aim at 50 yards. We recommend that you sight-in your rifle personally to compensate for a possible difference in sighting vision. The rear sight is adjustable for both windage and elevation.

# COLTEER .22 AUTOLOADER

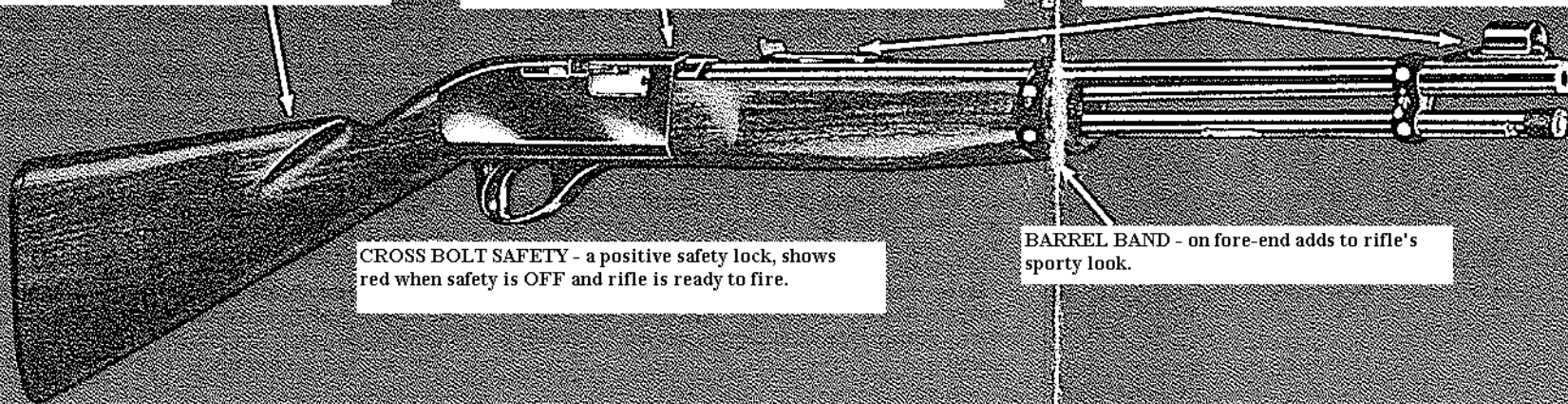
WESTERN STYLE STOCK - stock and fore-end made of solid American walnut.

REPEATING MECHANISM - a highly reliable semi-automatic repeating mechanism. The ultimate rifle, ideal for small game, varmints or just plain plinking.

SIGHTS - Western style open rear sight adjustable for elevation and windage, hooded gold bead front sight. Receiver grooved for "tip-off" scope mounting.

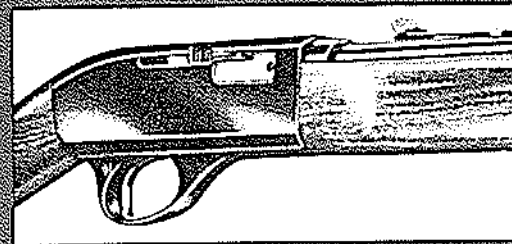


Hooded Gold Bead Sight. Tubular Magazine holds 15 rounds.



CROSS BOLT SAFETY - a positive safety lock, shows red when safety is OFF and rifle is ready to fire.

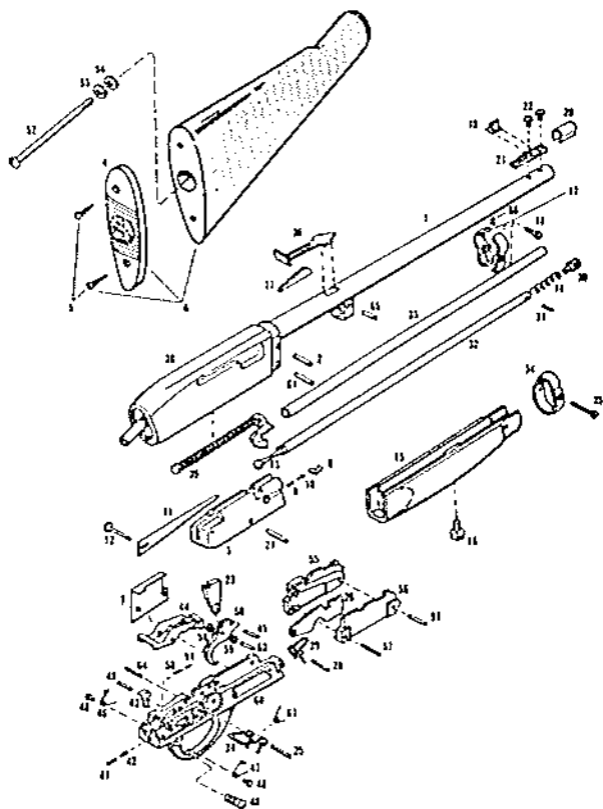
BARREL BAND - on fore-end adds to rifle's sporty look.



View of automatic repeating mechanism, open rear sight and safety.

To disassemble the Colteer .22 beyond the point described under "General Operating Instructions," the rifle should be brought to a qualified gunsmith, as would be done with any fine firearm.

Under terms of Warranty, Colt responsibility to the owner is limited to the extent that such disassembly be performed only by Colt Custom Repair Department.



Reference numbers are for illustration purposes only.  
Use part numbers when ordering parts.

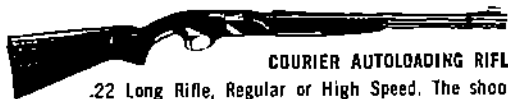
DRAW. NO.	NAME OF PART	PART NO.
1	Barrel Assembly.....	80387
2	Barrel Retaining Pin.....	85123
3	Bolt.....	80124
4	Bull Plate.....	80081
5	Bull Plate Screw (2 used).....	803501
6	Stock.....	80914
7	Ejector Assembly.....	80222
8	Extractor.....	80883
9	Extractor Spring.....	80188
10	Extractor Spring Plunger.....	80168
11	Firing Pin.....	80128
12	Firing Pin Retaining Pin.....	95008
13	Follower.....	80128
14	Follower Spring.....	80120
15	Forearm.....	80347
16	Forearm Screw.....	80132
17	Front Band L.H.....	70118
17	Front Band R.H.....	70118
18	Front Band Screw.....	80325
19	Front Sight Bead.....	80381
20	Front Sight Head.....	80351
21	Front Sight.....	80380
22	Front Sight Screw.....	80348
23	Hammer.....	80133
24	Hammer Spring.....	80134
25	Hammer Spring Pin.....	80308
26	Lifter.....	80138
27	Lifter Cam Pin.....	85143
28	Lifter Pin.....	95008
29	Lifter Spring.....	80138
30	Magazine Tube Cap.....	80139
31	Magazine Tube Cap Pin.....	95007
32	Magazine Tube, Inner.....	80137
33	Magazine Tube, Outer.....	80323
34	Rear Band.....	70102
35	Rear Band Screw.....	70090
36	Rear Sight Leaf.....	84119
37	Rear Sight Elevator.....	84882
38	Receiver.....	.Not For Sale
39	Recoil Spring Assembly.....	80243
40	Safety.....	80143
41	Safety Detent Spring.....	80317
42	Spring Detent (2 used) (Sear & Safety).....	80144
43	Sear.....	80857
44	Sear Bar.....	80148
45	Sear Bar Pin.....	80305
46	Sear Bar Spring L.H.....	80147
47	Sear Bar Spring R.H.....	80318
48	Sear Bar Spring Pin.....	80348
49	Sear & Sear Bar Retaining Pin.....	80305
50	Sear Detent Spring.....	80148
51	Spring Detent (2 used) (Sear & Safety).....	80144
52	Stock Bolt.....	83801
53	Stock Bolt Lock Washer.....	80802
54	Stock Bolt Washer.....	80202
55	Throat L.H.....	80151
56	Throat R.H.....	80160
57	Throat Pin (2 used).....	80901
58	Trigger Assembly.....	80388
59	Trigger Bushing (2 used).....	80185
60	Trigger Guard.....	80183
61	Trigger Guard Pin.....	80307
62	Trigger Pin.....	85008
63	Trigger Spring.....	80903
64	Trigger Stop Pin.....	95003
65	Magazine Tube Retaining Pin.....	95704
66	Barrel Band Pin.....	85114

FOR THE FINEST IN SHOOTING EQUIPMENT — **COLT** *since 1836*



**STAGECOACH .22 AUTOLOADER**

This rifle is styled after the heavier caliber carbines of the old west. Behind this picturesque styling is the newest semi-automatic repeating mechanism modern technology has produced. Other features include western style open rear sight, black walnut stock and fore-end, saddle ring and roll engraved frame. A fast rugged, accurate .22, every inch the outdoorsman's rifle.



**COURIER AUTOLOADING RIFLE**

.22 Long Rifle, Regular or High Speed. The shooting comfort of a pistol grip type stock and streamlined appearance of a tapered, hand-filling fore-end . . . both of solid walnut, combine to deliver a thoroughly modern .22 autoloader of exceptional reliability. Lightweight . . . 4¾ pounds. Receiver dovetail grooved for tip-off scope mount. Shoots .22 long rifle, standard or high velocity ammo.

**Colt Industries**



**Firearms Division**

Hartford, Connecticut, U.S.A. 06102