



COLT[®] CAP AND BALL REVOLVERS

© 1978 Colt Industries Operating Corp

This instruction manual should always accompany this revolver and be transferred with it upon change of ownership.

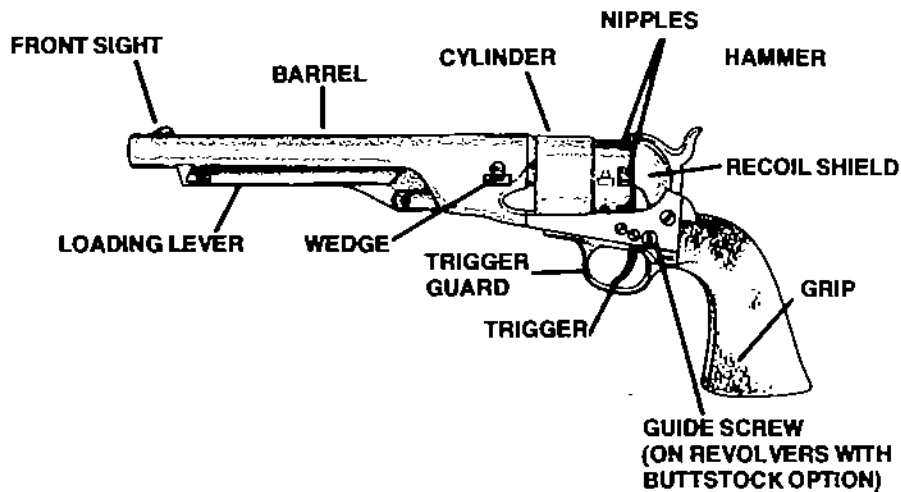


FIGURE 1—COLT® CAP AND BALL REVOLVER

Colt is proud of its historical accomplishment in producing black powder cap and ball revolvers of quality and style and we trust that you will be equally proud in owning your new Colt revolver, whether it is a Walker, Dragoon, 1851 Navy, 1860 Army, 1861 Navy, 1862 Pocket Navy or 1862 Police.

This instruction manual covers all of these revolvers, although for simplicity, the illustrations are typical, rather than specific. Nevertheless, a separate parts illustration and parts list, together with information specific to your revolver is provided in Section 6.

SECTION 1

PRECAUTIONS

READ AND UNDERSTAND ALL THE FOLLOWING PRECAUTIONS BEFORE REMOVING THIS REVOLVER FROM ITS PACKAGE.

THIS COLT PRODUCT IS CLASSIFIED BY THE ALCOHOL, TOBACCO AND FIREARMS DIVISION OF THE INTERNAL REVENUE SERVICE, U.S. TREASURY DEPARTMENT AS AN ANTIQUE FIREARM. NEVERTHELESS, IT IS POTENTIALLY LETHAL!

WARNING: IF THIS REVOLVER IS CARELESSLY OR IMPROPERLY HANDLED, UNINTENTIONAL DISCHARGE COULD RESULT, AND COULD CAUSE INJURY, DEATH, OR DAMAGE TO PROPERTY.

CAUTION: CAREFULLY READ THIS INSTRUCTION MANUAL WHICH GIVES BASIC ADVICE ON THE PROPER HANDLING AND FUNCTIONING OF THIS COLT REVOLVER PRIOR TO LOADING AND FIRING. HOWEVER, YOUR SAFETY AND THE SAFETY OF OTHERS (INCLUDING YOUR FAMILY) DEPENDS ON YOUR MATURE COMPLIANCE WITH THAT ADVICE, AND YOUR ADOPTION, DEVELOPMENT, AND CONSTANT EMPLOYMENT OF SAFE PRACTICES. IF UNFAMILIAR WITH ANTIQUE FIREARMS, SEEK FURTHER ADVICE THROUGH SAFE HANDLING COURSES RUN BY YOUR LOCAL GUN CLUBS, NRA APPROVED INSTRUCTORS, OR SIMILAR QUALIFIED ORGANIZATIONS.

NOTICE

Colt shall not be responsible for injury, death, or damage to property resulting from either intentional or accidental discharge of this revolver, or from its function when used for purposes or subjected to treatment for which it was not designed. Colt will not honor claims involving this revolver which result from careless or improper handling, unauthorized adjustment or parts replacement, corrosion, neglect, or the use of wrong powder, percussion caps, balls or bullets, or any combination thereof. Colt will not honor claims involving this revolver for any reason or cause when such claims are made by the second or subsequent owner.

IMPORTANT

Before it left the factory this revolver was tested, carefully inspected, and packaged. Colt cannot control product handling after it leaves the factory. Therefore, please examine this revolver carefully at the time of purchase to insure that it is unloaded and undamaged. The dealer will be pleased to assist you in making this examination and endeavor to answer your further questions.

This instruction manual should always accompany this revolver and be transferred with it upon change of ownership.

LIST OF SECTIONS

SECTION	TITLE
1	PRECAUTIONS
2	Safety Instructions
3	Material Required for Black Powder Shooting
4	Function: Loading Unloading Firing
5	Maintenance: Cleaning Storage Servicing and Repair
6	Information Specific to Your Revolver
7	The Customized Gun

SECTION 2

SAFETY INSTRUCTIONS

Many collectors never fire their old-style guns, but those who do, want to enjoy the challenge of Black Powder shooting. Colt's cap and ball revolvers provide that enjoyable challenge. Keep in mind though, this is not a modern revolver incorporating present day safety features. Therefore, it requires care and attention to detail if you are to succeed safely. It is essential to follow the safety instructions for your safety and the safety of others.

WARNINGS:

- 1. BLACK POWDER WILL EXPLODE WHEN IGNITED AND IT CAN BE IGNITED BY A SPARK. FOLLOW MANUFACTURER'S INSTRUCTIONS FOR HANDLING AND STORAGE.**
- 2. SINCE THIS REVOLVER DOES NOT CONTAIN MODERN SAFETY DEVICES, EXTRA CARE AND STRICT ADHERENCE TO THESE INSTRUCTIONS BY THE GUN USER IS MANDATORY FOR MINIMIZING THE RISK OF ACCIDENTS.**

CAUTIONS:

- 1. ALWAYS HANDLE YOUR REVOLVER AS IF IT WERE LOADED SO THAT YOU NEVER FIRE IT ACCIDENTALLY WHEN YOU THINK IT IS UNLOADED.**
- 2. NEVER POINT YOUR REVOLVER AT ANYTHING YOU DO NOT INTEND TO SHOOT SO THAT IF IT FIRES, ACCIDENTAL INJURY, DEATH, OR DAMAGE TO PROPERTY WILL BE PREVENTED.**
- 3. NEVER TAKE ANYONE'S WORD THAT A GUN IS UNLOADED. CHECK FOR YOURSELF WITH FINGERS OFF THE TRIGGER AND GUN POINTED IN A SAFE DIRECTION, TO SEE THAT NO CAPS ARE ON NIPPLES AND CHAMBERS ARE EMPTY, SO THAT YOU NEVER FIRE THE GUN ACCIDENTALLY WHEN YOU THINK IT IS UNLOADED.**
- 4. ALWAYS BE SURE BARREL AND ACTION ARE CLEAR OF OBSTRUCTIONS. CLEAN A FOULED REVOLVER IMMEDIATELY SO THAT IT WILL FUNCTION CORRECTLY AND SAFELY.**
- 5. NEVER SQUEEZE THE TRIGGER OR PUT YOUR FINGER IN THE TRIGGER GUARD UNTIL YOU ARE AIMING AT A TARGET AND READY TO SHOOT. THIS WILL PREVENT YOU FIRING THE REVOLVER WHEN IT IS POINTING IN AN UNSAFE DIRECTION.**
- 6. ALWAYS KEEP HAMMER DOWN ON SAFETY PIN BETWEEN CHAMBERS UNTIL READY TO FIRE. THIS SHOULD**

ELIMINATE RISK OF ACCIDENTAL DISCHARGE.

7. ALWAYS BE ABSOLUTELY SURE OF YOUR TARGET AND THE AREA BEHIND IT BEFORE YOU SQUEEZE THE TRIGGER. A BALL COULD TRAVEL THROUGH OR PAST YOUR TARGET UP TO A MILE ... IF IN DOUBT, DON'T SHOOT!

8. NEVER SHOOT AT A HARD SURFACE, SUCH AS ROCK, OR A LIQUID SURFACE, SUCH AS WATER. A BALL MAY RICOCHET AND TRAVEL IN ANY DIRECTION TO STRIKE YOU, OR AN OBJECT YOU CANNOT SEE, CAUSING INJURY, DEATH, OR DAMAGE TO PROPERTY.

9. ALWAYS BE SURE YOUR BACKSTOP IS ADEQUATE TO STOP AND CONTAIN BALLS BEFORE BEGINNING TARGET PRACTICE SO THAT YOU DO NOT HIT ANYTHING OUTSIDE THE RANGE SHOOTING AREA.

10. ALWAYS PUT SOMEONE IN CHARGE TO MAINTAIN SAFETY CONTROL WHEN A GROUP IS FIRING ON A RANGE. OBEY HIS COMMANDS SO THAT DISCIPLINE IS MAINTAINED TO REDUCE THE LIKELIHOOD OF ACCIDENTS.

11. ALWAYS CARRY YOUR REVOLVER EMPTY WHILE ON A RANGE UNTIL PREPARING TO FIRE. KEEP IT POINTING TOWARDS THE BACKSTOP WHEN LOADED TO ELIMINATE THE RISK OF INJURY, DEATH, OR DAMAGE TO PROPERTY.

12. NEVER LEAVE A LOADED REVOLVER UNATTENDED. SOMEONE, ESPECIALLY A CHILD, MAY FIRE IT AND CAUSE INJURY, DEATH, OR DAMAGE TO PROPERTY.

13. NEVER USE YOUR REVOLVER IF IT FAILS TO FUNCTION PROPERLY. NEVER FORCE A JAMMED ACTION AS A CHARGE MAY EXPLODE, CAUSING SERIOUS INJURY, POSSIBLE DEATH, OR SEVERE DAMAGE TO YOUR REVOLVER.

14. NEVER LEAVE REVOLVER COCKED READY TO FIRE AS THIS CONDITION IS EXTREMELY DANGEROUS, AND REVOLVER COULD EASILY BE ACCIDENTALLY DISCHARGED, CAUSING INJURY, DEATH, OR DAMAGE TO PROPERTY.

15. ALWAYS CARRY YOUR REVOLVER EMPTY WITH THE HAMMER DOWN ON SAFETY PIN BETWEEN CHAMBERS EXCEPT WHEN YOU INTEND TO SHOOT SO THAT YOUR REVOLVER CANNOT BE FIRED WHERE IT IS UNSAFE TO DO SO.

16. ALWAYS WEAR SHOOTING GLASSES WHEN LOADING AND FIRING AND KEEP REVOLVER AT ARMS LENGTH OR AS FAR FROM YOUR FACE AS A SHOULDER STOCK WILL PERMIT. PARTICLES ARE SPRAYED OUTWARDS FROM AN EXPLODING CAP WHICH COULD DAMAGE YOUR EYES OR CAUSE BLINDNESS.

17. ALWAYS USE BLACK POWDER AND SOFT LEAD; THESE ARE SAFE TO USE IN YOUR REVOLVER WHEN PROPERLY LOADED. NEVER USE SMOKELESS POWDER OR ANY OTHER COMBINATION OF MATERIAL AS THE CYLINDER MAY EXPLODE RESULTING IN SEVERE INJURY OR POSSIBLE DEATH TO THE SHOOTER OR BYSTANDERS.

18. NEVER RECHARGE A CHAMBER WITH BLACK POWDER WHERE HOT PARTICLES OF A PREVIOUS CHARGE REMAIN. THE NEW CHARGE OF BLACK POWDER COULD BE IGNITED AND EXPLODE, POSSIBLY CAUSING SERIOUS INJURY. IF THE CONTENTS OF THE POWDER FLASK EXPLODE, DEATH COULD RESULT.

19. ALWAYS SEAL CHAMBERS WITH GREASE AFTER LOADING TO PREVENT ADJACENT LOADED CHAMBERS DISCHARGING WHEN A ROUND IS FIRED. THIS IS KNOWN AS "FLASHOVER" AND COULD DAMAGE REVOLVER AND POSSIBLY CAUSE INJURY.

20. ALWAYS USE CORRECT SIZE PERCUSSION CAPS WHICH FIT NIPPLES AND APPLY ONLY SUFFICIENT PRESSURE TO LOCATE THEM FIRMLY IN PLACE. PERCUSSION CAPS ARE HIGHLY SENSITIVE TO SHOCK AND MUST BE HANDLED WITH EXTREME CARE. DO NOT DROP THEM, OR SUBJECT THEM TO SHOCK OR IMPACT—THEY COULD EXPLODE AND CAUSE SEVERE INJURY.

21. ALWAYS HOLD YOUR REVOLVER BY THE GRIP AND KEEP BOTH HANDS WELL CLEAR OF, AND BEHIND THE CYLINDER. NEVER HOLD IT NEAR CYLINDER AS VERY HOT GAS AND PARTICLES OF BLACK POWDER AND LEAD ARE SPRAYED OUT AROUND THE CYLINDER—THESE WOULD INJURE YOUR HANDS. TAKE PARTICULAR CARE FIRING FROM THE SHOULDER WHEN SHOULDER STOCK IS USED.

22. FAILURE TO FIRE: ALWAYS HOLD REVOLVER, KEEPING IT POINTED TOWARDS THE TARGET AND WAIT 30 SECONDS WHEN REVOLVER FAILS TO FIRE. IF A HANGFIRE (SLOW IGNITION) HAS OCCURRED, REVOLVER SHOULD FIRE WITHIN 30 SECONDS. IF REVOLVER DOES NOT FIRE, REPLACE PERCUSSION CAP AND TRY AGAIN. IF REVOLVER STILL DOES NOT FIRE, WAIT 30 SECONDS, FIRE OFF OTHER CHAMBERS, WAIT UNTIL REVOLVER IS COLD AND SEE "FIRING INSTRUCTION" FOR FURTHER ACTION.

23. NEVER FIRE YOUR REVOLVER NEAR AN ANIMAL UNLESS IT IS TRAINED TO ACCEPT THE NOISE; AN ANIMAL'S STARTLED REACTION COULD INJURE IT OR CAUSE AN ACCIDENT.

24. NEVER WALK, CLIMB OR FOLLOW A COMPANION WITH YOUR REVOLVER COCKED READY TO FIRE (IN BATTERY), OR WITH THE HAMMER IN ANY POSITION OTHER THAN DOWN ON SAFETY PIN BETWEEN CHAMBERS, TO ELIMINATE RISK OF ACCIDENTAL DISCHARGE.

WHEN HUNTING, HOLD YOUR REVOLVER SO THAT YOU CAN ALWAYS CONTROL THE DIRECTION OF THE MUZZLE.

25. NEVER INDULGE IN "HORSEPLAY" WHILE HOLDING YOUR REVOLVER AS IT MAY BE ACCIDENTALLY DISCHARGED.

26. NEVER DRINK ALCOHOLIC BEVERAGES OR TAKE DRUGS BEFORE OR DURING SHOOTING, AS YOUR VISION AND JUDGMENT COULD BE SERIOUSLY IMPAIRED, MAKING YOUR GUN HANDLING UNSAFE.

27. ALWAYS SEEK A DOCTOR'S ADVICE IF YOU ARE TAKING MEDICATION, TO BE SURE YOU ARE FIT TO SHOOT AND HANDLE YOUR REVOLVER SAFELY.

28. ALWAYS WEAR EAR PROTECTION WHEN SHOOTING, ESPECIALLY ON A RANGE. WITHOUT EAR PROTECTION, THE NOISE FROM YOUR REVOLVER AND OTHER GUNS CLOSE TO YOU COULD LEAVE A "RINGING" IN YOUR EARS FOR SOME TIME AFTER FIRING, AND COULD LEAD TO CUMULATIVE LONG TERM PERMANENT HEARING LOSS.

29. ALWAYS MAKE SURE YOUR REVOLVER IS NOT LOADED BEFORE CLEANING, STORING, TRAVELING, LAYING IT DOWN, OR HANDING IT TO ANOTHER PERSON, SO THAT IT CANNOT BE FIRED WHEN IT IS UNSAFE TO DO SO.

30. ALWAYS STORE YOUR REVOLVER AND EXPLOSIVE COMPONENTS (i.e., BLACK POWDER AND PERCUSSION CAPS) IN SEPARATE LOCKED RECEPTACLES OUT OF REACH AND SIGHT OF CHILDREN, TO MINIMIZE RISK OF REVOLVER AND EXPLOSIVE COMPONENTS BEING EASILY AVAILABLE FOR LOADING AND FIRING. FOLLOW MANUFACTURER'S RECOMMENDATION FOR STORAGE OF EXPLOSIVE COMPONENTS.

31. ALWAYS INSTRUCT CHILDREN TO RESPECT FIRE-ARMS. IF YOU TEACH THEM TO SHOOT, TEACH THEM TO USE THE REVOLVER PROPERLY, AND ALWAYS SUPERVISE YOUR CHILDREN CLOSELY. ALWAYS STRESS SAFETY SO THAT YOUR CHILDREN WILL NOT FIRE THE REVOLVER WHEN IT IS UNSAFE TO DO SO.

32. NEVER "FAN" YOUR REVOLVER AS ACCURACY IS REDUCED AND YOU MAY HIT SOMETHING OTHER THAN TARGET AIMED AT. (To permit fanning, the internal mechanism of any single action revolver must be specially altered. Such an alteration would definitely render revolver both unsafe and unsatisfactory for general all around shooting.) DO NOT MAKE OR ATTEMPT TO MAKE THIS ALTERATION.

IMPORTANT: Do not snap hammer of revolver on nipples without percussion caps. The nipples will become damaged.

SECTION 3

MATERIAL REQUIRED FOR BLACK POWDER SHOOTING

Before loading your Colt cap and ball revolver, select the correct material.

BLACK POWDER: FFFg BLACK POWDER is suitable, and the appropriate charge for your revolver is specified in Section 6.

CAUTION: DO NOT USE SMOKELESS POWDER.

PERCUSSION CAPS: Percussion caps suitable for your revolver are specified in Section 6.

CAUTION: DO NOT USE CAPS THAT ARE TOO SMALL AND ALWAYS HANDLE WITH CARE.

LEAD BALLS: Spherical (round) balls, or conical lead bullets of appropriate diameter are suitable for this revolver. See Section 6 for size of balls or bullets.

CAUTION: USE ONLY SOFT LEAD.

GREASE: Grease is used on face of cylinder to fill and seal space around front of loaded balls to prevent flashover between discharging chamber and adjacent loaded chambers; grease will also keep fouling soft for easier cleaning. Any medium or heavy grease should be suitable.

CAUTION: SEAL CHAMBERS WITH GREASE AFTER LOADING.

POWDER FLASK: A powder flask which throws a charge, appropriate to that recommended for your revolver in Section 6, is suitable for charging the chambers with **BLACK POWDER**. Two types are illustrated, and the type for your revolver is also noted in Section 6. Take care when filling the flask with black powder to avoid spillage and sparks by using a plastic or brass funnel.

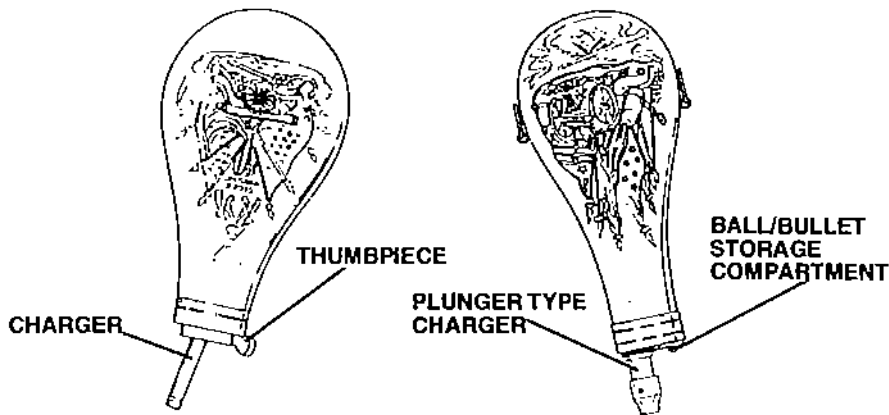


FIGURE 2-POWDER FLASKS

BULLET MOLD: Most bullet molds can be used to cast a round ball and conical bullet simultaneously, but the Colt Walker mold casts only a conical bullet.

CAUTION: IF YOU INTEND TO CAST YOUR OWN LEAD BALLS, USE GREAT CARE IN HANDLING MOLTEN LEAD TO AVOID SEVERE BURNS AND INGESTION OR INHALATION OF CONTAMINANTS. ALWAYS INSURE THE TOOLS YOU USE ARE CLEAN AND DRY, AS MOLTEN LEAD WILL ERUPT VIOLENTLY ON CONTACT WITH WATER.

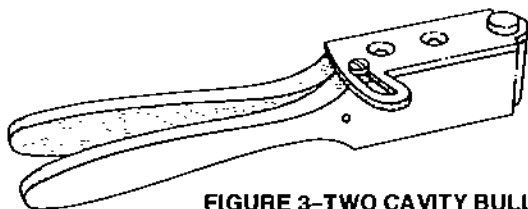


FIGURE 3—TWO CAVITY BULLET MOLD

NIPPLE WRENCH AND SCREWDRIVER: This tool will enable you to strip your revolver for cleaning. The "L" shaped tool is common to all the revolvers except the Colt Walker and 1st Model Dragoon, which have a curved tool.

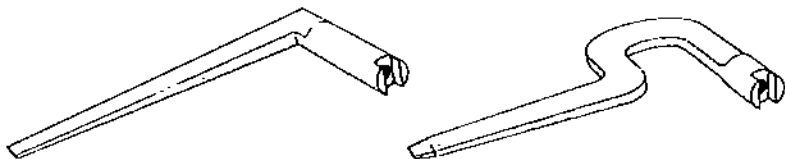


FIGURE 4—SCREWDRIVER—NIPPLEWRENCH TOOLS

PIPE CLEANER: We suggest that a pipe cleaner be used for cleaning nipples.

SECTION 4
LOADING

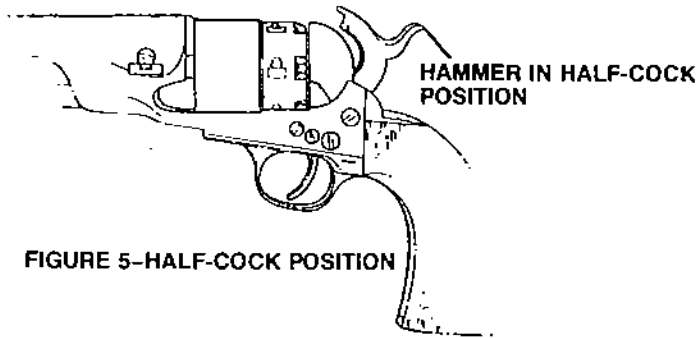
FUNCTION

CAUTION: ENSURE REVOLVER IS NOT LOADED AND CHAMBERS DO NOT CONTAIN HOT PARTICLES FROM PREVIOUS CHARGE—KEEP BYSTANDERS CLEAR—WEAR SHOOTING GLASSES.

1. Be sure you are familiar with the safety instructions for this revolver and for handling explosive components (See Section 2).
2. Use only the materials specified for your revolver in Sections 3 and 6.
3. With thumb on hammer spur, draw hammer back into half-cock position to allow cylinder to rotate.

CAUTION: DO NOT FULLY COCK HAMMER.

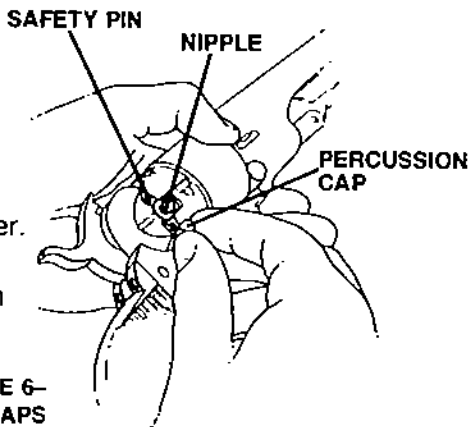
4. Point revolver in safe direction and carefully fit a percussion cap to each nipple on back of cylinder.



CAUTION: HANDLE CAPS WITH CARE; DO NOT DROP THEM OR SUBJECT THEM TO SHOCK OR IMPACT—THEY COULD EXPLODE AND CAUSE SEVERE INJURY.

Note: "Cappers" are available commercially to aid cap fitting.

5. Draw hammer fully back into full-cock position, fire percussion cap by squeezing trigger and repeat until all caps are fired. This will clear oil or dust from the nipples. Alternatively, the nipples could be cleaned with a pipe cleaner.
6. Draw hammer into half-cock position and remove all percussion caps from nipples.



**FIGURE 6-
FITTING PERCUSSION CAPS**

Note: Steps 4, 5 and 6 should be done immediately before a day's shooting, but are unnecessary between successive loads.

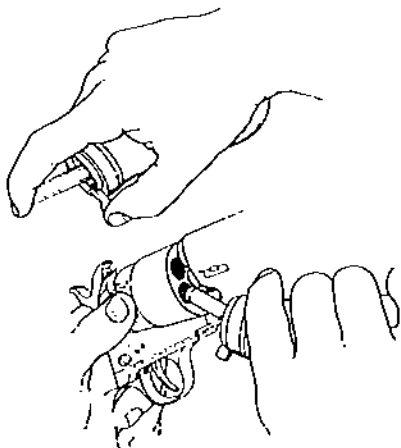
CAUTION: FOLLOW MANUFACTURERS INSTRUCTIONS FOR HANDLING BLACK POWDER—DO NOT USE SMOKELESS POWDER.

Note: Using the powder flask;

a. Powder Flask with thumbpiece: Place finger over charger. Invert powder flask (charger down). Open powder charging hole by moving thumbpiece against spring (powder will now fill charger). Then release thumbpiece to close charging hole.

Turn flask upright (charger up) keeping powder in charger with finger. It is now ready to charge revolver by carefully pouring powder into front of chamber (See Figure 7).

b. Powder flask with plunger type charger: When flask is inverted (charger down) a measured charge of Black Powder is allowed into the charger automatically. It is now ready to charge the revolver by placing nozzle of charger into front of chamber and pressing down on flask until charger plunger is fully retracted once. Hold flask in this position for a few seconds, then remove it from chamber.

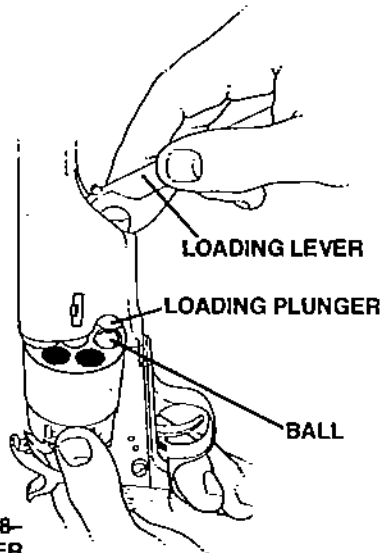


**FIGURE 7—
CHARGING CHAMBER
WITH BLACK POWDER**

7. With revolver muzzle pointing upwards, place a charge of BLACK POWDER appropriate to your revolver in a chamber; this can be done using one of the powder flasks illustrated in Figure 2 and described above.

Note: To load the Baby Dragoon, remove the barrel and cylinder, then load the cylinder as described in items 7, 8, 9 and 10 using the base pin to push the balls into the chamber.

8. Place lead ball on top of powder filled chamber, making sure casting sprue is uppermost and centered. Rotate cylinder until ball is aligned with loading plunger. Press ball down, using the loading lever located under barrel. (See Figure 8.) The ball, being oversized, will have a ring of lead shaved from it as it is forced into the chamber—this is necessary to insure an effective seal. The ball must be forced down until it is firmly seated on the powder and below level of cylinder face.



**FIGURE 8—
PRESSING BALL INTO CHAMBER**

9. Repeat 7 and 8 above until all chambers are loaded.

10. Apply a medium to heavy grease to face of cylinder to fill and seal space in front of balls. This will prevent flashover to adjacent chambers when one chamber is discharged, it will also keep fouling soft for easier cleaning.

Note: Reassemble the Baby Dragoon before continuing loading sequence item 11.

11. Point revolver in safe direction and carefully fit an appropriate (See Section 6) percussion cap to each nipple on back of cylinder.

CAUTION: HANDLE CAPS WITH CARE; DO NOT DROP THEM OR SUBJECT THEM TO SHOCK OR IMPACT—THEY COULD EXPLODE AND CAUSE SEVERE INJURY.

12. If you are not going to fire immediately, rotate cylinder until a safety pin, which is between the chambers is aligned with the hammer. Draw hammer back slightly to disengage half-cock notch, squeeze trigger and allow hammer to move forward, controlled by your thumb, then release trigger. Lower hammer gently onto safety pin.

UNLOADING

It is preferable to discharge all loaded chambers by firing the revolver, but occasionally it may be necessary to unload as follows:

1. Be sure you are familiar with the safety instructions for this revolver and for handling the explosive components. (See Section 2)
2. Draw hammer to half-cock position.
3. Remove all percussion caps carefully.

CAUTION: HANDLE CAPS WITH CARE; DO NOT DROP THEM OR SUBJECT THEM TO SHOCK OR IMPACT—THEY COULD EXPLODE AND CAUSE SEVERE INJURY.

4. Remove barrel and cylinder from frame as described in the Maintenance Section and carefully remove all nipples.
5. Empty remaining Black Powder from loaded chambers through back of cylinder and wash cylinder and nipples in warm water to remove residual powder.
6. Dispose of discarded powder safely as instructed by manufacturer.
7. Insert cleaning rod through back of cylinder and drive out lead balls, then dry, lubricate and reassemble revolver as described in Maintenance Section.

FIRING

CAUTION: WEAR SHOOTING GLASSES AND KEEP REVOLVER AT ARMS LENGTH, OR AS FAR FROM YOUR FACE AS A SHOULDER STOCK WILL PERMIT. PARTICLES ARE SPRAYED OUTWARDS FROM AN EXPLODING CAP WHICH COULD DAMAGE YOUR EYES OR CAUSE BLINDNESS.

CAUTION: ALWAYS WEAR EAR PROTECTION WHEN SHOOTING, ESPECIALLY ON A RANGE. WITHOUT EAR PROTECTION, THE NOISE FROM YOUR REVOLVER AND OTHER GUNS CLOSE TO YOU COULD LEAVE A "RINGING" IN YOUR EARS FOR SOME TIME AFTER FIRING, AND COULD LEAD TO CUMULATIVE LONG TERM PERMANENT HEARING LOSS.

1. Be sure you are familiar with the safety instructions for this revolver and for handling the explosive components. (See Section 2)
2. Keep revolver pointing in safe direction. Draw hammer fully back into the full-cock position. (Top of hammer now forms rear sight for aiming).
3. Aim, by aligning target with front and rear sights.

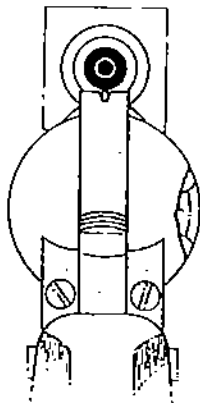


FIGURE 9-AIMING—(NOTCH ON TOP OF HAMMER FORMS REAR SIGHT)

CAUTION: HOLD REVOLVER BY GRIP AND KEEP BOTH HANDS WELL CLEAR OF, AND BEHIND THE CYLINDER. NEVER HOLD IT NEAR CYLINDER AS VERY HOT GAS AND PARTICLES OF BLACK POWDER AND LEAD ARE SPRAYED OUT AROUND THE CYLINDER—THESE WOULD INJURE YOUR HANDS. TAKE PARTICULAR CARE FIRING FROM THE SHOULDER WHEN SHOULDER STOCK IS USED.

4. Fire, by squeezing trigger gently and evenly.



FIGURE 10—TWO HAND HOLD FOR REVOLVER WITH SHOULDER STOCK

CAUTION: FAILURE TO FIRE: ALWAYS HOLD REVOLVER, KEEPING IT POINTED TOWARDS THE TARGET AND WAIT 30 SECONDS WHEN REVOLVER FAILS TO FIRE. IF A HANGFIRE (SLOW IGNITION) HAS OCCURRED, REVOLVER SHOULD FIRE WITHIN 30 SECONDS. IF REVOLVER DOES NOT FIRE, REPLACE PERCUSSION CAP AND TRY AGAIN. IF REVOLVER STILL DOES NOT FIRE, WAIT 30 SECONDS FIRE OFF OTHER CHAMBERS, WAIT UNTIL REVOLVER IS COLD THEN UNLOAD AS PREVIOUSLY DESCRIBED.

5. Cock hammer and repeat 3 and 4 above until all loaded chambers are discharged.
6. Draw hammer to half-cock position and remove caps from nipples, then lower hammer onto a safety pin between chambers.

SECTION 5

MAINTENANCE

CLEANING

Black powder shooting is messy and black powder is highly corrosive, so it is important to clean your revolver immediately after use; it should also be cleaned periodically when not in use—we suggest once every six months. Keep it well lubricated with good quality gun oil.

CAUTION: ENSURE REVOLVER IS NOT LOADED SO THAT IT CANNOT FIRE.

1. Draw hammer to half-cock position.
2. Use a soft face hammer and wooden drift to drive out wedge that holds barrel and cylinder to the lock frame from right to left (left to right on Colt Walker). This is located below barrel in front of cylinder.

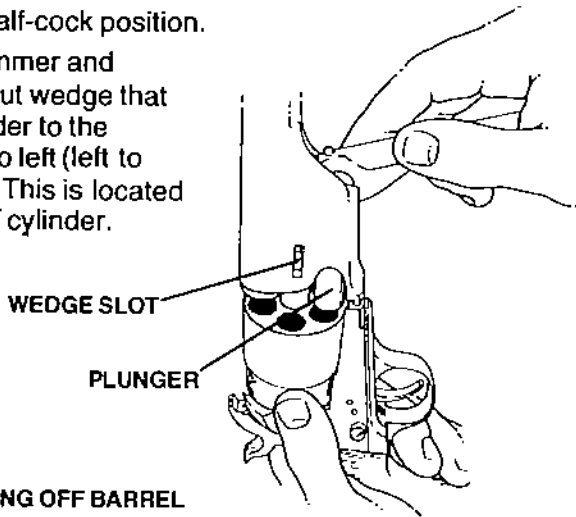


FIGURE 11—DRAWING OFF BARREL

3. Draw off the barrel. Except for the Baby Dragon, this can be done by bringing down the loading lever and forcing plunger into position between chambers. The barrel of the Baby Dragon must be pulled away from the frame.
4. Draw cylinder off base pin.
5. Unscrew and remove nipples using the nipple wrench.
6. Wash cylinder, barrel and nipples in warm water, (solvent is also available commercially) clean barrel and chambers with cleaning rod and patch, and nipples with a pipe cleaner; rinse in very hot water.

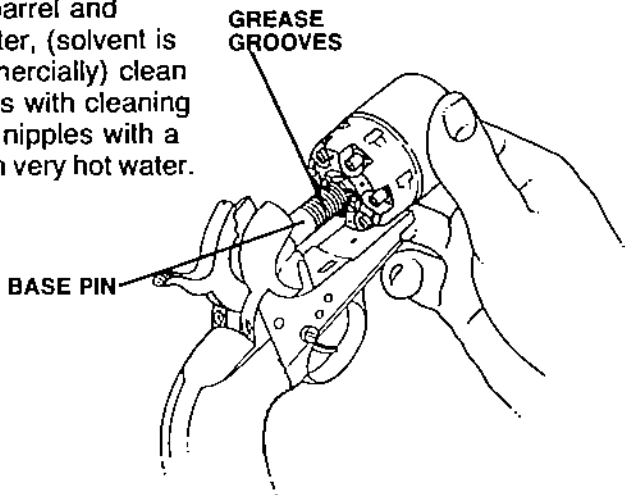


FIGURE 12-REMOVING CYLINDER

7. Clean all fouling from frame taking care not to get water or solvent on grip.
8. Dry all parts thoroughly to prevent corrosion.
9. Use good quality gun oil and freely oil barrel, cylinder, and frame.
10. Liberally grease the base pin. Where grease grooves are provided in the base pin, (See Figure 12) they should be filled with grease.
11. Reassemble revolver in reverse order and wipe all metal parts with an oil moistened patch to remove finger prints which may cause corrosion.

IMPORTANT: Do not strip revolver further than as described above. If additional maintenance is required see servicing and repair later in this instruction manual.

STORAGE

CAUTION: ALWAYS UNLOAD YOUR REVOLVER FOR STORAGE AND STORE EXPLOSIVE COMPONENTS SEPARATELY.

Store your revolver and explosive components securely locked and in separate locations out of reach and sight of children. (Children are naturally curious and do not always believe the real danger of guns.)

Note: Do not store your revolver in an air-tight container, and do not seal or attempt to seal the barrel or chambers to exclude dust, as the internal steel surfaces are more likely to corrode. Store explosive components (powder and caps) in accordance with manufacturer's recommendations.

SERVICING AND REPAIR

Should your revolver require adjustment or repair, make sure it is NOT loaded and take it, if possible, or send it to the nearest Colt Authorized Repair Service Station where competent gunsmiths, trained to perform repairs to Colt products, can quickly make the necessary adjustment or repairs. Many of the Colt Authorized Repair Service Stations (a list of addresses is provided separately) are also Colt Parts Distributors, but seek advice from the Dealer who should have up to date information on how best to obtain genuine Colt parts.

IMPORTANT: If you make unauthorized adjustments or use unauthorized replacement parts, Colt will not assume responsibility for correct functioning of this revolver.

Note: Various Federal and State laws and local ordinances govern the transfer and transportation of guns, so take the advice of the Dealer in your state on how to send or transport your revolver to a Colt Authorized Repair Service Station. Before shipping your revolver, here are some important points to remember.

1. MAKE SURE THE REVOLVER IS NOT LOADED.
2. Write a letter explaining the problem and your requirements in as much detail as possible. Include the model name and serial number of your REVOLVER together with your return address, then enclose the letter with the revolver in a well padded package.
3. Do not send presentation boxes, accessories, or explosive components.
4. A list of Colt Authorized Repair Service Stations is provided with your revolver.
5. DO NOT indicate the contents, or include "Colt" in the address on the package, so that an inquisitive thief is not attracted to it by such information.
6. Insure the package and contents against loss or theft.

SECTION 6 INFORMATION SPECIFIC TO YOUR REVOLVER

This section is provided so that you can identify parts and obtain information specific to your revolver. Refer to this specific information; follow the preceding instructions and, in particular, use only the size of charge, ball and cap appropriate to your revolver, and you will be well on the way to being a successful black powder shooter if you are not one already.

COLT WALKER REVOLVER

The original Colt Walker revolver first saw action in 1847 during the Mexican war. The cylinder of this massive, 6 shot, .44 caliber revolver is engraved with the Ranger and Indian scene and has a single safety pin between chambers. The barrel is 9 inches long and the whole revolver weighs 4 pounds and 9 ounces. Accessories, which are available separately, include a curved screwdriver-nipple wrench, a blued bullet mold and a powder flask with plunger type charger and a compartment for storing bullets.

To fire the Colt Walker, use No. 11 percussion caps, .457 inch diameter lead balls or lead bullets and a Black Powder charge of 35 to 55 grains; we recommend 50 grains for each chamber.

See Figure 13 for parts list and illustration.

1st, 2nd and 3rd MODEL DRAGOON

The Dragoon, whether 1st, 2nd or 3rd Model, is a 6 shot, 44 caliber revolver with a 7½ inch barrel. The revolver weighs approximately 4 pounds and 2 ounces; there are 6 safety pins on the cylinder (one between each chamber) and the cylinder is roll engraved with the Ranger and Indian scene. Accessories, which are available separately, include a two cavity brass bullet mold, a powder flask with plunger type charger, and an "L" shaped screwdriver-nipple wrench for 2nd and 3rd Models, and a curved wrench for the 1st Model.

To fire the Dragoon, use No. 11 percussion caps, .457 inch diameter lead balls or bullets, and a Black Powder charge of 35 to 40 grains; we recommend 37 grains for each chamber.

See Figure 13 for parts list and illustration.

1860 ARMY REVOLVER

The 1860 Army Revolver, sometimes known as the New Model Army, quickly became popular with mounted troops in the Civil War because of its light weight and superior ballistics. This 6 shot, 44 caliber revolver has 6 safety pins (one between each chamber). Accessories, which are available separately, include an "L" shaped screwdriver-nipple wrench, a two cavity bullet mold and a "Stand of Flags" powder flask with thumbpiece.

To fire the 1860 Army revolver, use No. 10 percussion caps, .457 inch diameter lead balls or bullets and a Black Powder charge of 25 to 30 grains; we recommend 25 grains for each chamber.

See Figure 15 for parts list and illustration.

1851 NAVY AND 1861 NAVY

Their size and weight made these revolvers easy to carry and they became very popular with the Army and Navy. Both are 6 shot, 36 caliber revolvers with 7½ inch barrels. The 1851 Navy has an octagonal barrel and hinged loading lever, whereas the barrel of the 1861 Navy is round and it has a creeping loading lever. There are 6 safety pins on the cylinder (one between each chamber), and the cylinder is roll engraved with a battle scene depicting the victory of the Texas Navy over the Mexican Navy. Accessories, which are available separately, include an "L" shaped screwdriver-nipple wrench, a two cavity bullet mold (1851—Brass, 1861—Steel), and a "Stand of Flags" powder flask with thumbpiece.

To fire the 1851 Navy or 1861 Navy, use No. 10 percussion caps, .378 inch diameter lead balls or bullets, and a Black Powder charge of 15 to 20 grains; we recommend 18 grains for each chamber.

See Figure 14 for parts list and illustration of 1851 Navy and Figure 15 for 1861 Navy revolvers.

1862 POCKET NAVY AND 1862 POLICE

The 1862 Pocket Navy and 1862 Police are both 5 shot, .36 caliber revolvers which have 5 safety pins on the cylinder (one between each chamber). On the 1862 Pocket Navy the barrel is octagonal and the loading lever is hinged, whereas the barrel of the 1862 Police is round and the loading lever is the creeping type. In all other respects the revolvers are identical. They were originally offered in various barrel lengths, but only the 5½ inch barrel is presently available.

Accessories, which are available separately, include an "L" shaped screwdriver-nipple wrench, a two cavity steel bullet mold and an "Eagle and Shield" powder flask with thumbpiece.

To fire the 1862 Pocket Navy or 1862 Police, use No. 10 percussion caps, .378 inch diameter lead balls or bullets and a Black Powder charge of 12 to 20 grains; we recommend 15 grains in each chamber.

See Figure 14 for parts list and illustration of 1862 Pocket Navy and Figure 15 for 1862 Police revolvers.

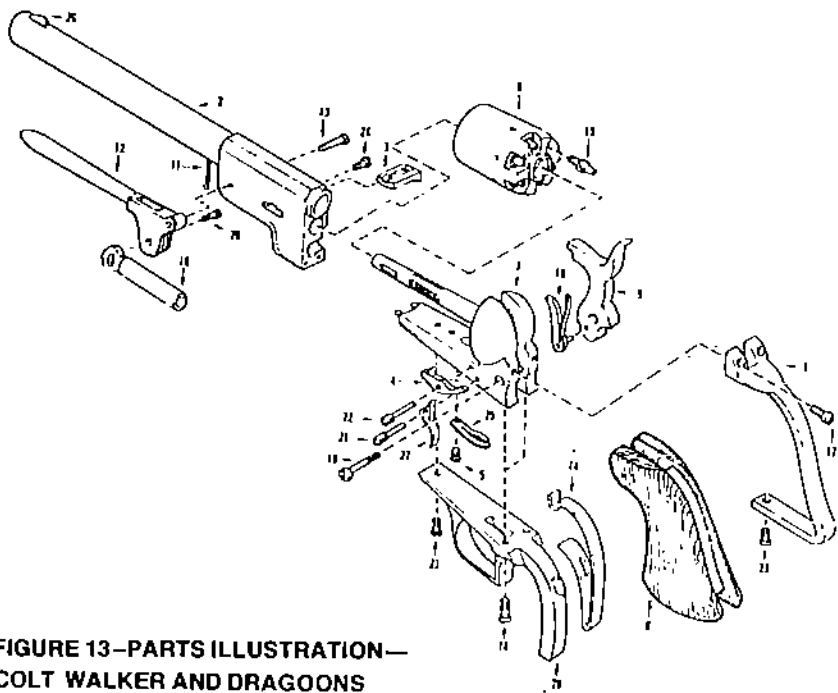
BABY DRAGOON

The Baby Dragoon is a 5 shot, 31 caliber revolver with a 4 inch barrel. There is one safety pin on the cylinder and the cylinder is roll engraved with the Ranger and Indian scene. The revolver does not have a loading lever and there are no grease grooves in the base pin; it differs in this way from the other revolvers. Consequently, particular attention must be paid to the separate notes in this instruction manual, especially when loading, handling and maintaining the Baby Dragoon.

Accessories, which are available separately, include a two cavity brass bullet mold, an Eagle and Shield powder flask and an "L" shaped screwdriver-nipple wrench.

To fire the Baby Dragoon, use No. 10 percussion caps, .323 inch diameter lead balls or conical bullets and a black powder charge of 10 to 15 grains; we recommend 14 grains for each chamber.

See Figure 16 for parts list and illustration.

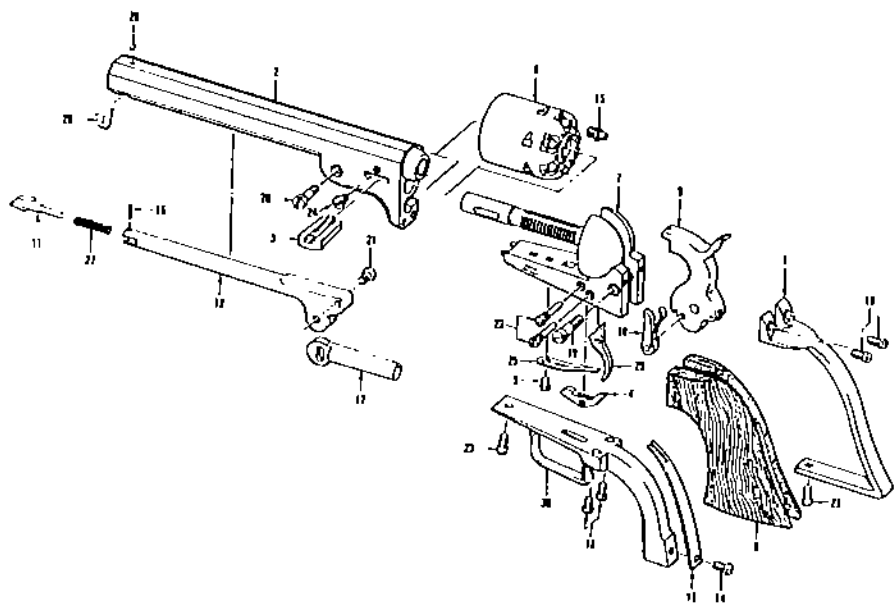


**FIGURE 13—PARTS ILLUSTRATION—
COLT WALKER AND DRAGONS**

Note: Detail differences not shown.

DESCRIPTION

- | | |
|---------------------------------|-----------------------------------------|
| 1. Backstrap | 15. Nipple |
| 2. Barrel | 16. Plunger, Loading |
| 3. Barrel Wedge
Assembly | 17. Screw Backstrap (2) |
| 4. Bolt | 18. Screw Guard (2) |
| 5. Bolt Spring Screw | 19. Screw Hammer |
| 6. Cylinder Assembly | 20. Screw Plunger |
| 7. Frame Assembly | 21. Screw Trigger |
| 8. Grip | 22. Screw Trigger (Bolt) |
| 9. Hammer | 23. Screw Trigger Guard and
Butt (2) |
| 10. Hand and Spring
Assembly | 24. Screw Wedge |
| 11. Latch, Loading Lever | 25. Sear and Bolt Spring |
| 12. Loading Lever | 26. Sight Front |
| 13. Loading Lever Screw | 27. Trigger |
| 14. Mainspring | 28. Trigger Guard |

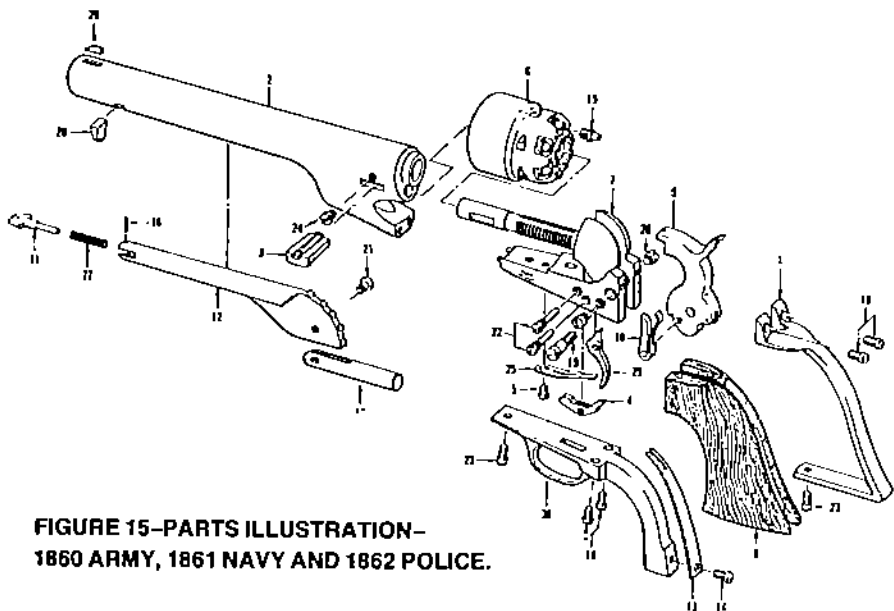


**FIGURE 14—PARTS ILLUSTRATION—
1851 NAVY AND 1862 POCKET NAVY REVOLVERS**

Note: Detail differences not shown.

DESCRIPTION:

1. Backstrap
2. Barrel
3. Barrel Wedge Assembly
4. Bolt
5. Bolt Spring Screw
6. Cylinder Assembly
7. Frame
8. Grip
9. Hammer Assembly
10. Hand & Spring Assembly
11. Latch, Loading Lever
12. Lever, Loading
13. Mainspring
14. Mainspring Screw
15. Nipple
16. Pin, Latch Retaining
17. Plunger, Loading
18. Screw, Backstrap and Guard
19. Screw, Hammer
20. Screw, Loading Lever
21. Screw, Plunger
22. Screw, Trigger)Bolt & Trigger)
23. Screw, Trigger Guard & Butt
24. Screw, Wedge
25. Sear and Bolt Spring
26. Sight, Front
27. Spring, Latch
28. Stud, Barrel
29. Trigger
30. Trigger Guard

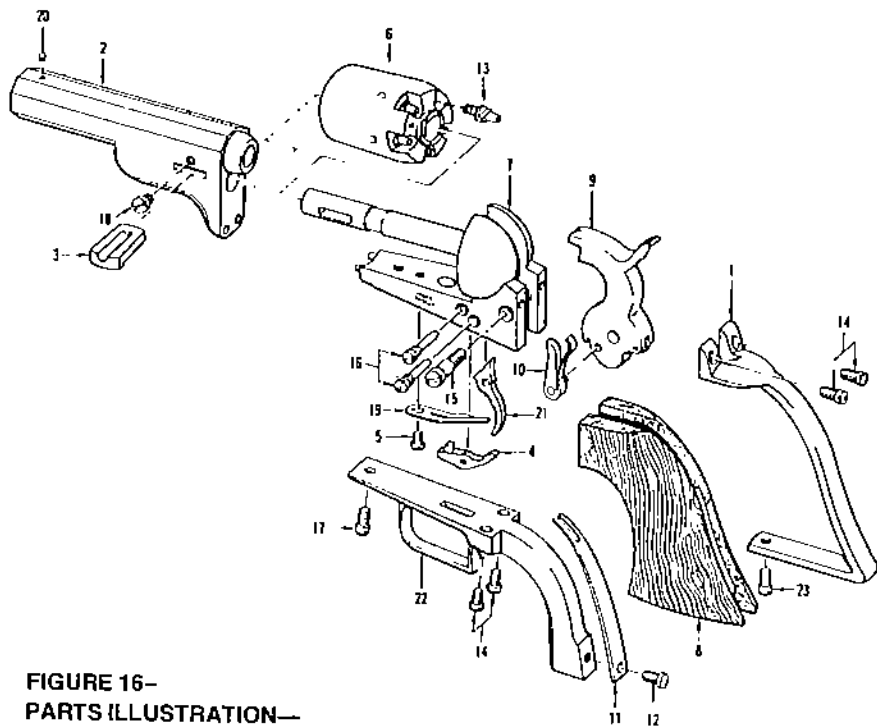


**FIGURE 15—PARTS ILLUSTRATION—
1860 ARMY, 1861 NAVY AND 1862 POLICE.**

Note: Detail differences not shown.

DESCRIPTION

1. Backstrap
2. Barrel
3. Barrel Wedge
4. Bolt
5. Bolt Spring Screw
6. Cylinder Assembly
7. Frame
8. Grip
9. Hammer Assembly
10. Hand & Spring Assembly
11. Latch, Loading Lever
12. Lever Loading
13. Mainspring
14. Mainspring Screw
15. Nipple (5) or (6)
16. Pin, Latch Retaining
17. Plunger, Loading
18. Screw, Backstrap and Guard (4)
19. Screw, Hammer
20. Screw, Guide (2)
21. Screw, Plunger
22. Screw, Trigger (Bolt & Trigger) (2)
23. Screw, Trigger Guard and Butt (2)
24. Screw, Wedge
25. Sear and Bolt Spring
26. Sight, Front
27. Spring, Latch
28. Stud Barrel
29. Trigger
30. Trigger Guard



**FIGURE 16—
PARTS ILLUSTRATION—
BABY DRAGON**

DESCRIPTION:

1. Backstrap
2. Barrel
3. Barrel Wedge
4. Bolt
5. Bolt Spring Screw
6. Cylinder Assembly
7. Frame
8. Grip
9. Hammer Assembly
10. Hand & Spring Assembly
11. Mainspring
12. Mainspring Screw
13. Nipple
14. Screw, Backstrap and Guard
15. Screw, Hammer
16. Screw, Trigger (Bolt & Trigger)
17. Screw, Trigger Guard & Butt
18. Screw, Wedge
19. Sear and Bolt Spring
20. Sight, Front
21. Trigger
22. Trigger Guard

SECTION 7

THE CUSTOMIZED GUN

Our Colt Custom Gun Shop offers a wide range of special services such as engraving, inlaying and special serializing to the same high standard of quality long synonymous with the name "COLT". Sometimes modifications, which meet our customer's special requirements, necessitate deviations from standard design and manufacturing tolerances which result in functional differences from a standard gun. Consequently, this instruction manual does not apply to a customized gun unless its applicability has been confirmed by the Colt Custom Gun Shop. For further information, write to Colt Firearms, Custom Gun Shop, 150 Huyshope Avenue, Hartford, Connecticut 06102.

ANTIQUÉ FIREARM RECORD

Colt Model _____

Serial No. _____

Caliber _____

Purchased

From _____

Purchase

Date _____

Purchase

Price _____

WARRANTY STATEMENT

Based on Magnuson-Moss Warranty Act, Colt offers no express warranty on its product line. However, Colt recognizes its obligations concerning implied warranty. Colt also stands behind its products as it has historically, and will continue to provide service to its product line as it has over the years. Colt products will be serviced for a period of one year from date of retail purchase, for defects in materials or workmanship, at no charge to the purchaser. Be sure to retain your sales slip as proof of purchase date when making a claim.

This instruction manual should always accompany this revolver and be transferred with it upon change of ownership.

If you require a replacement instruction manual, write to COLT FIREARMS, 150 HUYSHOPE AVENUE, HARTFORD, CONNECTICUT 06102, and quote the part number shown on the back cover of this manual.

FIVE BASIC SAFETY RULES

- 1. ALWAYS POINT A GUN IN A SAFE DIRECTION.**
- 2. DO NOT LOAD UNTIL READY TO USE.**
- 3. UNLOAD IMMEDIATELY AFTER USE.**
- 4. ALWAYS ENSURE A GUN IS NOT LOADED BEFORE CLEANING OR DISMANTLING.**
- 5. PRACTICE HANDLING AN EMPTY GUN BEFORE ATTEMPTING TO FIRE.**