

WARNING

BEFORE USING THIS FIREARM, READ AND FOLLOW THESE INSTRUCTIONS.
If there is anything you do not understand, get help from someone qualified
in the safe handling of firearms.



**SAFETY
AND
INSTRUCTION
MANUAL**

ALL AMERICAN™ MODEL 2000

Copyright © 1991 Colt's Manufacturing Company, Inc. All Rights Reserved.
This instruction manual should always accompany this pistol.
When you lend, give or sell this firearm, be sure this manual goes with it.

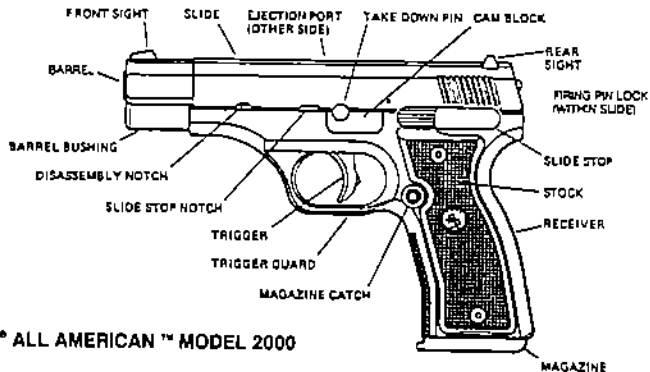


FIGURE 1—COLT® ALL AMERICAN™ MODEL 2000

CAUTION: ALWAYS KEEP AND CARRY YOUR PISTOL EMPTY, EXCEPT WHEN YOU INTEND TO SHOOT, so that your pistol cannot be fired when you do not mean to fire it.

CAUTION: USE ONLY CLEAN, DRY ORIGINAL HIGH QUALITY COMMERCIALY MANUFACTURED AMMUNITION IN GOOD CONDITION which is appropriate to the caliber of your pistol—see following table and Section 3 Caution 14. And never carry the pistol with a round in the chamber until ready to shoot.

**BARREL
CHAMBERED FOR:**

SUITABLE AMMUNITION

	45 ACP	38 Super Auto	9mm Luger	10mm Auto	40 S&W
9mm Luger	no	no	yes	no	no

READ AND UNDERSTAND ALL THE FOLLOWING PRECAUTIONS BEFORE REMOVING THIS FIREARM FROM ITS PACKAGE.

This Colt product is classified by the U.S. Treasury Department, Bureau of Alcohol, Tobacco and Firearms as a firearm or dangerous weapon; it is, therefore, potentially lethal!

WARNING: IF THIS FIREARM IS CARELESSLY OR IMPROPERLY HANDLED, UNINTENTIONAL DISCHARGE COULD RESULT AND COULD CAUSE INJURY, DEATH, OR DAMAGE TO PROPERTY.

CAUTION: CAREFULLY READ THIS INSTRUCTION MANUAL WHICH GIVES BASIC ADVICE ON THE PROPER HANDLING AND FUNCTIONING OF THIS COLT FIREARM PRIOR TO LOADING AND FIRING. However, your safety and the safety of others (including your family) depends on your mature compliance with that advice, and your adoption, development and constant employment of safe practices.

If unfamiliar with firearms, seek further advice through safe handling courses run by your local gun clubs, NRA approved instructor, or similar qualified organizations.

SAFETY DEPENDS ON YOU

NOTICE

Colt shall not be responsible for injury, death, or damage to property resulting from either intentional or accidental discharge of this firearm, or from its function when used for purposes or subjected to treatment for which it was not designed. Colt will not honor claims involving this firearm which result from careless or improper handling, unauthorized adjustment or parts replacement, corrosion, neglect, or the use of wrong caliber ammunition, or the use of ammunition other than original high quality commercially manufactured ammunition in good condition, or any combination thereof. Colt will not honor claims involving this firearm for any reason or cause when such claims are made by the second or subsequent owner.

IMPORTANT

Before it left the factory this firearm was tested, carefully inspected, and packaged. Colt cannot control product handling after it leaves the factory; therefore, please examine this firearm carefully at the time of purchase to insure that it is unloaded and undamaged. The dealer will be pleased to assist you in making this examination and endeavor to answer your further questions.

This instruction manual should always accompany this firearm. When you lend, give or sell this firearm, be sure this manual goes with it.

2

SAFETY DEPENDS ON YOU

LIST OF SECTIONS

SECTION	TITLE	PAGE	SECTION	TITLE	PAGE
1	PRECAUTIONS	1		Unloading	22
2	Main Features	4		To Unload	22
3	Safety			Firing	24
	Instructions:	5		To Fire	25
	Cautions	5	5	Maintenance:	27
	Safety Features:	13		Stripping for Cleaning	27
	Trigger Guard	13		Assembling After Cleaning	31
	Trigger Pull	13		When to Clean	32
	Firing Pin (Striker)	13		How to Clean	33
	Firing Pin Lock	14		Cleaning the Magazine	35
4	Function:	15		Storage	37
	Loading	16		Servicing and Repair	37
	To Load a Magazine	17	6	Parts Illustration	
	To Load the Pistol	18		and List	40
	Carrying Modes	21	7	The Customized	
				Gun	42

SAFETY DEPENDS ON YOU

The Colt All American, Model 2000 is a double action, semi automatic pistol. It is accurate and easy to use. The trigger runs on rollers. The trigger pull is long and smooth, always the same, always double action. For left handed shooters the magazine catch may be reversed, and separate instructions are available on request to show you how to reverse it. See inside back cover for address.

Pistol Type	Barrel Length	Finishes	Magazine Capacity	Sights
All American	4½ in.	Polymer of Aluminum	15	Fixed square notch rear. Ramped blade front. Sight Radius 6¾ in.
	3¾ in.			Sight radius 5½ in.

NOTE: These features may change, for example, with the introduction of a new caliber.

We want you to enjoy shooting your Colt pistol, but we want you to enjoy it safely. You may be an experienced safe shooter already familiar with the procedures in this instruction manual, or you may never have handled a gun before. Either way we urge you to READ THIS ENTIRE INSTRUCTION MANUAL CAREFULLY. YOU MUST FOLLOW THE SAFETY INSTRUCTIONS FOR YOUR SAFETY AND THE SAFETY OF OTHERS.

WARNING: When *you* squeeze the trigger, *you* must expect the gun to fire, and *you* must take full responsibility for firing it. *Your* care can avoid accidental discharge, and *you* will thereby avoid accidental injury and death.

CAUTIONS:

GENERAL HANDLING CAUTIONS

1. ALWAYS HANDLE YOUR PISTOL AS IF IT IS LOADED so that you never fire it accidentally when you think it is unloaded.
2. NEVER POINT YOUR PISTOL AT ANYTHING YOU DO NOT INTEND TO SHOOT so that if it fires accidentally, injury, death, or damage to property will be prevented.

SAFETY DEPENDS ON YOU

3. NEVER TAKE ANYONE'S WORD THAT A GUN IS UNLOADED; check for yourself with fingers off the trigger and gun pointed in a safe direction, so that you never fire the gun accidentally when you think it is unloaded.

4. ALWAYS MAKE SURE YOUR PISTOL IS NOT LOADED AND SLIDE IS LATCHED OPEN BEFORE LAYING IT DOWN, OR HANDING IT TO ANOTHER PERSON, so that it cannot be fired when it is unsafe to do so.

5. ALWAYS REMEMBER, REMOVING THE MAGAZINE DOES NOT COMPLETELY UNLOAD THE PISTOL OR KEEP IT FROM FIRING. There can still be a live cartridge loaded in the firing chamber.

6. ALWAYS KEEP AND CARRY YOUR PISTOL EMPTY, except when you intend to shoot, so that your pistol cannot be fired when you do not mean to fire it.

7. ALWAYS BE AWARE OF POSSIBLE RISK FROM DROPPING YOUR PISTOL. Some parts of the mechanism could be damaged. You may not see the damage but if it is severe, the pistol may discharge and cause injury, death, or damage to property. If your pistol has been dropped, have it examined by a competent gunsmith before using it again.

8. NEVER LEAVE A LOADED PISTOL UNATTENDED. Someone, especially a child, may fire it and cause injury, death, or damage to property.

9. ALWAYS INSTRUCT CHILDREN TO RESPECT FIREARMS. If you teach your children to shoot, teach them or get them trained by a qualified instructor to treat and use the pistol properly, and always supervise them closely. Always stress safety so that your children will not fire the pistol when it is unsafe to do so.

RANGE CAUTIONS

10. ALWAYS BE SURE YOUR BACKSTOP IS ADEQUATE to stop and contain bullets before beginning target practice so that you do not hit anything outside the range shooting area. **THINK!** What will you **HIT** if you **MISS** the target?

11. ALWAYS PUT A KNOWLEDGEABLE AND RESPONSIBLE PERSON IN CHARGE TO MAINTAIN SAFETY CONTROL WHEN A GROUP IS FIRING ON A RANGE. Obey his commands so that discipline is maintained to reduce the likelihood of accidents.

12. ALWAYS CARRY YOUR PISTOL EMPTY WITH SLIDE LATCHED OPEN WHILE ON A RANGE until preparing to fire, keep it pointing towards the backstop when loading, firing and unloading, to eliminate the risk of injury, death, or damage to property.

LOADING CAUTIONS

13. ALWAYS BE SURE BARREL BORE, CHAMBER AND ACTION ARE CLEAN AND CLEAR OF OBSTRUCTIONS. Clean a fouled pistol immediately so that it will function correctly and safely.

14. ALWAYS USE ONLY CLEAN, DRY, ORIGINAL HIGH QUALITY COMMERCIALLY MANUFACTURED AMMUNITION IN GOOD CONDITION WHICH IS APPROPRIATE TO THE CALIBER OF YOUR PISTOL. (See Table on inside front cover.) Gun and ammunition manufacturers design their products within exacting engineering safety limits. Handloads and remanufactured ammunition are sometimes outside those limits and can be so unsafe as to blow up the chamber, slide and receiver and cause injury, death, or damage to property.

SHOOTING CAUTIONS

15. NEVER DRINK ALCOHOLIC BEVERAGES OR TAKE DRUGS BEFORE OR DURING SHOOTING, as your vision, coordination and judgment could be seriously impaired making your gun handling unsafe.

16. ALWAYS SEEK A DOCTOR'S ADVICE IF YOU ARE TAKING MEDICATION, to be sure you are fit to shoot and handle your pistol safely.

17. ALWAYS WEAR AND ENCOURAGE OTHERS TO WEAR EAR PROTECTION WHEN SHOOTING, especially on a range. Without ear protection, the noise of even one shot from your pistol, and other guns close to you, could leave a "ringing" in the ears for some time after firing, while the cumulative long term effect could be permanent hearing loss.

18. ALWAYS WEAR AND ENCOURAGE OTHERS TO WEAR PROTECTIVE SHOOTING GLASSES. Flying particles could damage eyes and cause blindness; but protective shooting glasses should prevent such injury.

19. ALWAYS KEEP CLEAR AND KEEP OTHERS CLEAR OF THE EJECTION PORT. Spent cartridges are ejected with enough force to cause injury. The ejection port must also be unobstructed by your hand to insure safe ejection of live rounds. Never place fingers in ejection port; they could be burned by hot metal or injured by the slide moving forward.

20. NEVER SQUEEZE THE TRIGGER OR PUT YOUR FINGER IN THE TRIGGER GUARD UNTIL YOU ARE AIMING AT A TARGET AND READY TO SHOOT. This will prevent you firing the pistol when it is pointing in an unsafe direction.

21. ALWAYS BE ABSOLUTELY SURE OF YOUR TARGET AND THE AREA BEHIND IT BEFORE YOU SQUEEZE THE TRIGGER. A bullet could travel through or past your target up to 1½ miles . . . if in doubt, don't shoot. **THINK!** What will you **HIT** if you **MISS** the target?

22. NEVER SHOOT AT A HARD SURFACE SUCH AS ROCK, OR A LIQUID SURFACE SUCH AS WATER. A bullet may ricochet and travel in any direction to strike you, or an object you cannot see, causing injury, death, or damage to property.

23. NEVER FIRE YOUR PISTOL NEAR AN ANIMAL unless it is trained to accept the noise; an animal's startled reaction could injure it or cause an accident.

24. NEVER INDULGE IN "HORSEPLAY" WHILE HOLDING YOUR PISTOL as it may be accidentally discharged.

25. NEVER WALK, CLIMB OR FOLLOW A COMPANION WITH YOUR PISTOL LOADED and out of its holster. When hunting, hold your pistol so that you can always control the direction of the muzzle.

MALFUNCTION CAUTIONS

26. IF PISTOL FAILS TO FIRE PULL TRIGGER AGAIN. IF IT STILL FAILS TO FIRE HOLD IT, KEEPING IT POINTED TOWARD THE TARGET OR A SAFE OPEN AREA AND WAIT 30 SECONDS. If a hangfire (slow ignition) has occurred, round will fire within 30 seconds. If round does not fire, keep pistol pointing in a safe direction and very carefully remove magazine, eject round and examine primer; if firing pin indent on primer is light, off center, or non-existent, have pistol examined by a competent gunsmith before firing again. If firing pin indent on primer appears normal (in comparison with similar previously fired rounds) assume faulty ammunition; segregate misfired round from other live ammunition and empty cases, reload and carry on firing.

NOTE: Dispose of misfired rounds in accordance with ammunition manufacturer's instructions.

27. NEVER USE YOUR PISTOL IF IT FAILS TO FUNCTION PROPERLY, AND NEVER FORCE A JAMMED ACTION, as a round may explode causing serious injury, possible death, or severe damage to your pistol.

CLEANING AND STORAGE CAUTIONS

28. ALWAYS MAKE SURE YOUR PISTOL IS NOT LOADED BEFORE CLEANING, STORING, TRAVELING, LAYING IT DOWN, OR HANDING IT TO ANOTHER PERSON, so that it cannot be fired when it is unsafe to do so.

29. ALWAYS KEEP AND STORE YOUR PISTOL AND AMMUNITION IN SEPARATE LOCKED RECEPTACLES OUT OF REACH AND SIGHT OF CHILDREN AND UNTRAINED PEOPLE, to minimize the risk of pistol and ammunition being easily available for loading and firing.

GUN ABUSE CAUTION

30. NEVER ABUSE YOUR PISTOL by using it for any purpose other than shooting.

NOTE: Please note that we mostly use the word "SQUEEZE" in this instruction manual instead of "PULL" or "PRESS" when trigger movement is described; this is simply to remind you of the need for a smooth squeezing action to achieve accuracy.

SAFETY FEATURES

Trigger Guard

The Trigger Guard is a loop around the trigger to protect it from being bumped or snagged and pulled. It also helps remind you that putting your finger on the trigger should be intentional.

Trigger Pull (Double Action)

A long (about ½ in.), but smooth trigger pull insures that you must make an intentional effort to fire the pistol.

Firing Pin (Striker)

The striker type firing pin is cocked and released by squeezing the trigger. If the trigger is not pulled rearward far enough to release the firing pin then as the trigger returns forward so does the firing pin, without discharging the pistol.

SAFETY DEPENDS ON YOU

Firing Pin Lock

The firing pin lock is a spring loaded plunger located in the slide which performs two safety functions:

1. It prevents the firing pin from striking a cartridge until the trigger is squeezed. This minimizes the risk of accidental discharge through mishandling such as when a loaded pistol is dropped or receives a blow to the muzzle.
2. It also prevents discharge until the round is in the chamber and the slide and barrel are locked. This prevents the pistol from being fired out of battery.

IMPORTANT: These safety devices are designed and installed in this pistol to prevent accidental discharge. Of course, this Colt pistol is designed primarily to discharge bullets, and it will do this efficiently when it is loaded and you squeeze the trigger. *Always expect the gun to fire when you squeeze the trigger.*

A Colt All American Model 2000 semi-automatic pistol is ready to fire when a loaded magazine is inserted into the pistol and the slide is pulled back and released to travel forward and feed a round from the magazine into the chamber. Final forward slide movement locks barrel and slide together.

When the trigger is squeezed it pushes the sear rearward and the firing pin lock clear of the firing pin.

Now see Figure 2. The sear pushes the firing pin rearward (1) until the sear roller rides into the sear ramp. This forces the sear down (2) away from the firing pin. The firing pin flies forward (3) pushed by its spring, to strike the primer in the base of the cartridge.

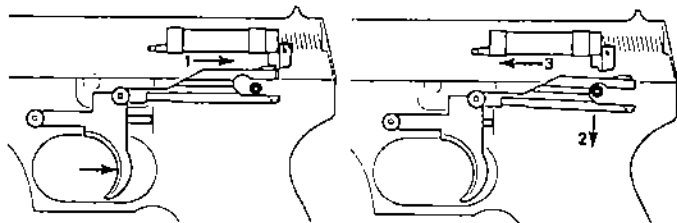


FIGURE 2—Trigger, Sear and Firing Pin Function.

The energy imparted to the primer ignites it; the primer in turn ignites the main powder charge which, in burning, rapidly generates extremely high gas pressure to drive the bullet down the barrel. Rifling grooves in the barrel cause the bullet to spin so that it will follow a stable, accurate path to the target.

Force rearward on the slide breech face starts slide and barrel on their rearward travel; however, the barrel unlocks from the slide only after gas pressure is reduced to a safe level. Rearward travel moves the barrel out of engagement with the slide. Meanwhile the firing pin lock moves down in front of the firing pin. Continued slide movement carries spent cartridge rearward on extractor until base of cartridge is struck by ejector to propel it through ejection port.

If last round has been fired, the magazine follower will activate the slide stop to hold the slide to the rear; but if a round remains in the magazine, the slide will move forward to feed and lock the next round in the chamber. The trigger must be released and squeezed again to fire the chambered round.

LOADING

CAUTION: TO MINIMIZE RISK OF UNINTENTIONAL DISCHARGE, LOAD LIVE AMMUNITION INTO PISTOL ONLY WHEN YOU INTEND TO SHOOT. THEN KEEP THE CHAMBER EMPTY UNTIL READY TO SHOOT.

CAUTION: ALWAYS EXERCISE EXTREME CARE TO KEEP MUZZLE POINTING IN A SAFE DIRECTION AND WELL CLEAR OF YOUR BODY, particularly when loading and unloading.

To Load A Magazine:

- 1. CAUTION: READ SAFETY INSTRUCTIONS (Section 3).**
2. Use only ammunition recommended inside front cover of this instruction manual as suitable for your pistol. **Examine the ammunition, particularly on and around the primer. Look for dents, scratches, and other signs of damage. Do not load damaged ammunition.**
3. With open end uppermost, grasp magazine in one hand. Place a round on magazine follower with base just forward of retaining lips (see Figure 3). Press round down and back until base of round touches rear flat edge of magazine. Place next round on top of previous round and press down and back. Repeat until magazine is loaded, but do **NOT** exceed its capacity. For magazine capacity, see Section 2—Main Features.

Considerable force is needed to push the cartridges into the magazine, especially when it is nearly full. Therefore, if a magazine loading assister is available, use it.

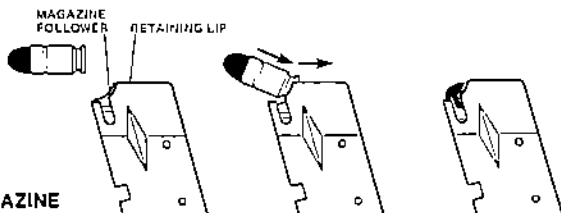


FIGURE 3—LOADING MAGAZINE

CAUTION: TO MINIMIZE RISK OF UNINTENTIONAL DISCHARGE, LOAD LIVE AMMUNITION INTO PISTOL ONLY WHEN YOU ARE ABOUT TO SHOOT.

To Load The Pistol:

1. **CAUTION:** READ SAFETY INSTRUCTIONS (Section 3)—KEEP PISTOL POINTING IN SAFE DIRECTION AND DO NOT TOUCH THE TRIGGER.
2. Remove magazine from pistol. See Figure 4. Place your hand under magazine to prevent it from falling. Press magazine catch (1) (located on left or right of pistol behind trigger guard) to drop the magazine out of the magazine well (2).

3. Hold pistol by stock with one hand. Keep other hand clear of ejection port and grasp serrated finger grips on both sides of slide. Pull slide back (3) far enough to LOOK IN CHAMBER TO ENSURE IT IS EMPTY (4); allow slide to return forward.

4. Insert loaded magazine into magazine well with bullets pointing forward. Push magazine in all the way until magazine catch is heard to "click" locking it in place.

IMPORTANT: Do not strike base of magazine to drive it home—just push it firmly into pistol. Otherwise, you could damage magazine and injure your hand.

5. When you are ready to shoot, grip the slide as described in Step 3 and pull it firmly rearward. Release the slide to feed a round from the magazine into the chamber. THE PISTOL IS NOW LOADED AND READY TO FIRE BY JUST SQUEEZING THE TRIGGER. ALSO REMEMBER a round will be fed into the chamber every time the slide goes forward when a loaded magazine is in the pistol.

SAFETY DEPENDS ON YOU

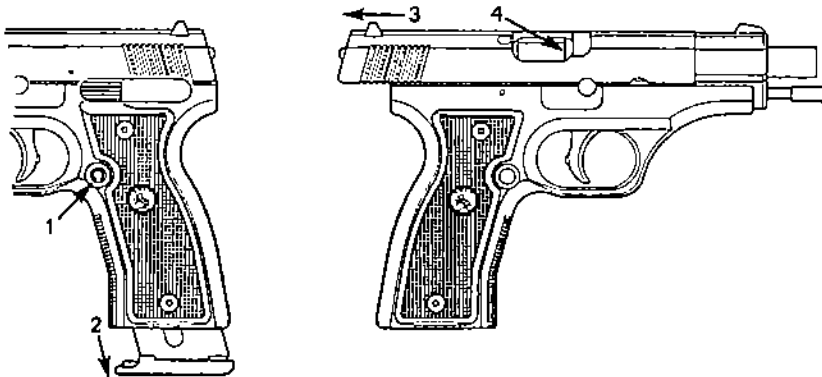


FIGURE 4—MAGAZINE PARTIALLY INSERTED

CARRYING MODES

NOTE: This pistol may be carried in any one of the following modes according to your needs:

Mode 1: — MAGAZINE EMPTY, CHAMBER EMPTY.

— Pistol cannot be fired.

— Use Mode 1 for storage, transporting, cleaning, repair, demonstrating and dry firing practice.

Mode 2: — MAGAZINE LOADED, CHAMBER EMPTY.

— Pistol cannot be fired until slide is cycled.

— Use Mode 2 when CARRYING THE PISTOL READY FOR USE.

Mode 3: — MAGAZINE LOADED, CHAMBER LOADED.

— Pistol can be fired when trigger is squeezed.

— Use Mode 3 when you **MUST BE PREPARED** to use the pistol IMMEDIATELY without warning.

WARNING: When *you* squeeze the trigger, *you* must expect the gun to fire, and *you* must take full responsibility for firing it. *Your* care can avoid accidental discharge, and *you* will thereby avoid accidental injury and death.

UNLOADING

CAUTION: ALWAYS REMEMBER, REMOVING THE MAGAZINE DOES NOT COMPLETELY UNLOAD THE PISTOL OR KEEP IT FROM FIRING. There can still be a live cartridge loaded in the firing chamber.

CAUTION: ALWAYS EXERCISE EXTREME CARE TO KEEP MUZZLE POINTING IN A SAFE DIRECTION, AND WELL CLEAR OF YOUR BODY, particularly when loading and unloading.

To Unload:

CAUTION: ALWAYS UNLOAD YOUR PISTOL IMMEDIATELY AFTER USE AND BEFORE CLEANING AND STORAGE to minimize the risk of accidental discharge.

1. Be sure you are familiar with Safety Instructions in Section 3. **Keep pistol pointing in a safe direction, do not touch trigger and always keep hands away from muzzle and ejection port.**
2. Place hand under magazine to prevent it falling and press magazine catch to release and eject magazine.

NOTE: If slide is fully rearward, Step 3 does not apply.

3. Using serrated finger grips pull slide sharply rearward to extract and eject a round from the chamber. Keep your hands clear of the ejection port to allow round to eject without obstruction. Examine previously chambered round for dents or other damage and dispose of it as explained in Paragraph 7.

4. **CAUTION: KEEP PISTOL POINTING IN A SAFE DIRECTION WHILE YOU LOOK IN THE CHAMBER TO ENSURE IT IS EMPTY AND SEE THAT MAGAZINE HAS BEEN REMOVED.**

5. Keep pistol pointing in a safe direction, allow slide to return forward on empty chamber. (If slide is held to rear by the slide stop, pull slide back slightly, then release it.)

6. Remove remaining live rounds from the magazine by sliding them forward and out. **IF YOU ARE UNLOADING LIVE AMMUNITION, BE CAREFUL NOT TO LET IT FALL ONTO A HARD OBJECT OR SURFACE, AS IT MAY FIRE.**

7. Collect undamaged live ammunition for safe storage and future use. Collect spent cartridge cases for disposal. **Segregate misfired and damaged live ammunition for disposal according to ammunition manufacturer's instructions.**

FIRING

Before firing your Colt pistol, practice your stance, aim, rhythm and breathing for steady aim, with your pistol UNLOADED.

Practice firing on a range before going hunting or using your pistol for any other type of shooting.

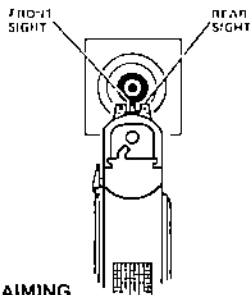


FIGURE 5—AIMING

CAUTIONS:

- 1. ALWAYS WEAR AND ENCOURAGE OTHERS TO WEAR EAR PROTECTION WHEN SHOOTING,** especially on a range. Without ear protection, the noise of just one round from your pistol, and other guns close to you, could leave a “ringing” in your ears for some time after firing, while the cumulative long term effect could be permanent hearing loss.
- 2. ALWAYS WEAR AND ENCOURAGE OTHERS TO WEAR PROTECTIVE SHOOTING GLASSES.** Flying particles could damage eyes and cause blindness; but protective shooting glasses should prevent such injury.

To Fire:

1. CAUTION: READ SAFETY INSTRUCTIONS (Section 3)—KEEP PISTOL POINTING IN SAFE DIRECTION AND DO NOT TOUCH THE TRIGGER.

2. Load pistol as previously described.

3. Grasp pistol by stock and, keeping your finger outside the trigger guard, take aim. Aim by aligning target with front and rear sights. (See Figure 5). After identifying your target and seeing that it is clear to shoot, focus on the front sight. Be sure you have a safe backstop. THINK! What you will HIT if you MISS the target.

4. Keeping steady aim, place index finger on trigger and squeeze gently until firing pin is released. Don't jerk the trigger as you will disturb your aim and spoil your accuracy. To fire the second and subsequent rounds, all that is necessary is to release the trigger and squeeze it again after every shot until you have completed firing.

5. THIS IS A SEMI-AUTOMATIC PISTOL AND IS IMMEDIATELY LOADED AND READY TO FIRE AGAIN AFTER EACH SHOT UNTIL THE MAGAZINE IS EMPTY.

NOTE: This pistol can be fired without a magazine in place.

6. Release trigger, remove index finger from trigger. If you have fired the last round from the magazine, the slide will stay to the rear.

CAUTION: IF PISTOL FAILS TO FIRE, PULL TRIGGER AGAIN. IF IT STILL FAILS TO FIRE, HOLD IT, KEEPING IT POINTED TOWARD THE TARGET OR SAFE OPEN AREA AND WAIT 30 SECONDS. If a hangfire (slow ignition) has occurred, round will fire within 30 seconds. If round does not fire, keep pistol pointing in a safe direction and very carefully remove magazine, eject round and examine primer. If firing pin indent on primer is light, off center or non-existent, have pistol examined by a competent gunsmith before firing again. If firing pin on primer appears normal (in comparison with similar previously fired rounds) assume faulty ammunition; segregate misfired round from other live ammunition and empty cases; reload and carry on firing.

NOTE: Dispose of misfired rounds in accordance with the ammunition manufacturer's instructions.

7. **CAUTION: KEEP PISTOL POINTING IN A SAFE DIRECTION.** Unload as previously described, and remember, removing the magazine does not completely unload the pistol or keep it from firing. There can still be a live cartridge loaded in the firing chamber.

Like any other precision mechanism, your pistol will function better, last longer, and remain safer when it is properly maintained. Follow the advice in this Section to keep your pistol in peak condition. Keep your pistol clean and properly lubricated to prolong its reliable life.

CAUTION:

1. **ENSURE THAT MAGAZINE IS REMOVED AND THE PISTOL IS NOT LOADED BEFORE STRIPPING AND CLEANING**, so that pistol will not fire.
2. **WEAR SAFETY GLASSES** in case you lose control of some spring loaded component such as the recoil spring and guide which could injure your eyes.

NOTE: Force is unnecessary and should never be used to strip or assemble your pistol.

STRIPPING FOR CLEANING

1. Ensure magazine is removed and pistol is NOT loaded. Be sure you are familiar with the Safety Instructions in Section 3. Now see Figure 6.

SAFETY DEPENDS ON YOU

2. Pull slide to rear (1). Push slide lock up to lock slide open (2).
3. On right side of pistol push takedown pin in. On left side pull it through until it stops (3). Takedown pin is captured so DO NOT try to pull it out beyond its stop.
4. Pull slide to rear and release slide lock. Control slide as it moves forward (4). Then push it all the way forward and off the receiver. Now see Figure 7.

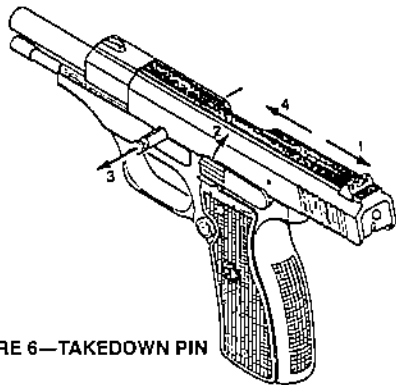


FIGURE 6—TAKEDOWN PIN

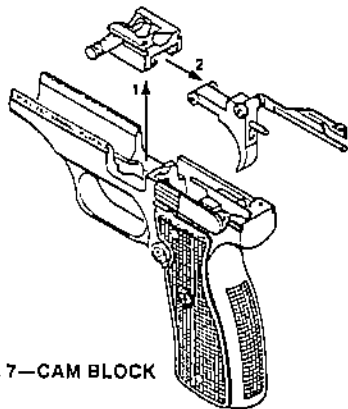


FIGURE 7—CAM BLOCK

5. Remove cam block complete with trigger and sear by lifting it out of receiver (1).
6. Separate trigger and sear from cam block (2). Now see Figure 8.
7. Pull recoil spring assembly out of barrel bushing (1).
8. Grip slide firmly in one hand and barrel bushing in the other. Turn barrel bushing 45° or 90° to right or left (2).

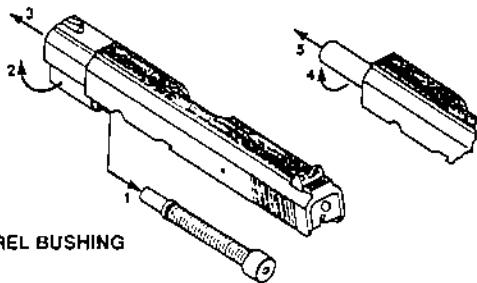


FIGURE 8—BARREL BUSHING

9. Pull barrel bushing forward out of slide and off barrel (3).
10. Rotate barrel slightly and pull it forward out of the slide (4) and (5). Now see Figure 10.

SAFETY DEPENDS ON YOU

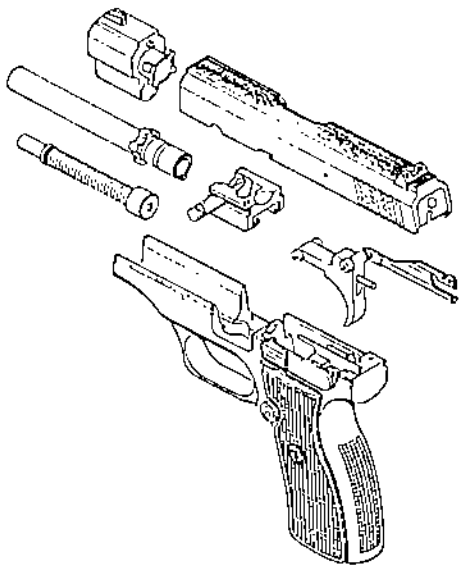


FIGURE 9—PISTOL STRIPPED FOR CLEANING

SAFETY DEPENDS ON YOU

11. Using a small screwdriver push the extractor out to its stop position for cleaning. This is done more easily by first placing slide upside down on a bench. Protect the functional tip of the extractor by pushing the screwdriver blade into the notch behind the tip **DO NOT ATTEMPT TO REMOVE THE EXTRACTOR**. It is easily returned to its working position by pushing it in with your finger.

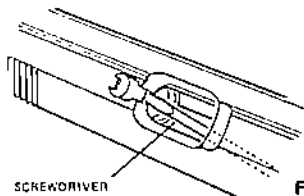


FIGURE 10—EXTRACTOR IN CLEANING POSITION

IMPORTANT: Do not strip your pistol further than previously described and shown in Figure 9. Do not remove or alter parts, particularly safety parts. If additional maintenance is required, see "Service and Repair" later in this instruction manual.

ASSEMBLING AFTER CLEANING

NOTE: Assemble in reverse order 10 through 6. At 6, while assembling the trigger and sear in the cam block make sure the rollers run freely. See Figure 7. Position the rear upper trigger rollers in the cam block. While keeping the sear pointing up and rearward, lower the trigger and cam block down into the well of

SAFETY DEPENDS ON YOU

the receiver and locate the **front** trigger rollers down under the support plate into their guide ways. At the same time, locate the fork end of the sear into its slot in the receiver so that the sear roller lies between the tines of the fork.

DO NOT USE FORCE. Now lower the cam block all the way down into the receiver while keeping the sear fork properly located at the rear and the front trigger rollers rolling forward out of sight within their guide ways. Sometimes it is also necessary to push in the trigger return plunger before the whole assembly falls into place. **BUT NEVER** use force.

When the assembly is in place, hold the cam block down with one finger while you pull the trigger a few times. Check that sear and trigger move freely.

Assemble slide to receiver as in steps 4 through 1, making sure the lift plunger in the cam block is pushed down as the slide moves over it. Apply the slide stop but also hold the slide firmly until the takedown pin is fully in place to prevent the slide being forced off the receiver by the recoil spring.

WHEN TO CLEAN

You should clean your pistol as soon after firing as possible so that the job will be easier and there will be less opportunity for corrosion to start. When your pistol has not been fired, clean it periodically; we suggest once or twice a year in a temperate climate or as often as once a month in a tropical climate. If you

carry a loaded pistol, UNLOAD it and clean it at least once a month. If you get your pistol wet, clean it as soon as possible.

HOW TO CLEAN

The following cleaning procedure may be used both periodically and after firing; however, those items marked "*" are unnecessary for periodic cleaning.

Materials: Cleaning rod, cotton flannel patches (cut to fit snugly into the bore), a small toothbrush, good quality light gun oil, *gun cleaning solution and *a brass wire bristle bore cleaning brush of the right size.

NOTE: In freezing conditions (below 32°F or 0°C) avoid the use of oil for lubrication; instead, apply a dry lubricant sparingly.

Procedure:

- 1. CAUTION: ENSURE THAT THE PISTOL IS NOT LOADED.**
2. Strip for cleaning as previously described.

NOTE: Avoid contact between cleaning rod and muzzle as resultant wear will reduce accuracy.

3. Attach cotton flannel patch to end of cleaning rod, insert it in breech and pass rod and patch down through barrel. Repeat, changing patches until last patch comes out clean.

SAFETY DEPENDS ON YOU

4. Visually inspect barrel; if it is clean, proceed directly to Step 7, but if it remains dirty, continue with Step 5.
5. ***(NOTE: This item should be applicable only after firing.)** Attach the right caliber brass wire bristle brush to cleaning rod and dip brush in gun cleaning solution. Thoroughly scrub out barrel, passing the brush all the way through before reversing the movement. If you try to change direction with brush in barrel, the brush will stick.
6. Repeat Steps 3 and 4 above.
7. Using a small toothbrush clean rear face of barrel, extractor, its housing and face of slide.
8. Lightly moisten a flannel patch with gun oil and pass it once through barrel, leaving a thin film of oil on the inside surface. Leave this film of oil on the inside surface if pistol is to be stored. If it is not to be stored, or if it is being removed from storage for use, pass a dry patch through barrel to remove as much oil as possible.
9. Check that flannel or brush bristles have not become lodged in any part of pistol, then wipe all external metal surfaces with a flannel patch moistened with gun oil. (See note on cold weather lubrication.)

10. Also use lightly oiled patch to wipe:
 - Cam block and take down pin
 - Rails in slide
 - Outside of barrel especially locking lugs and cam lug
 - Extractor and Extractor housing.

IMPORTANT: Trigger pull can be spoiled by too much oil. Use lubricant sparingly and keep the rolling surfaces of the rollers dry. When it is necessary to lubricate the rollers be careful; use only the tiniest drop of oil and apply it near the inside edge of each roller so that it reaches each axle without touching the rolling surface.

11. Reassemble pistol as previously described. Again wipe external metal surfaces with oil moistened patch to remove any finger prints. (Finger moisture, if left, causes corrosion.) (See note on cold weather lubrication.)
12. Remove any gun cleaning solution and oil from the stock and receiver using a dry patch or rag.

CLEANING THE MAGAZINE

It is advisable to clean the magazine whenever the pistol is cleaned. To do so, remove the magazine follower and spring and clean all components, taking care to remove carbon deposits from the lips of the magazine and the magazine follower. Wipe components with lightly oiled cloth and reassemble.

To remove the base, push in the base lock which sticks into a hole in the base, and slide the base off towards the front of the magazine. Then remove the base lock by sliding it towards the front of the magazine.

The spring and follower can now be removed through the bottom of the magazine.

To assemble this magazine, insert the follower and spring through the bottom of the magazine. Be sure that the top coil of the spring is installed towards the front of the magazine. The top coil has a small bend in the tail. Compress the spring and slide the base lock under the two tabs on the bottom of the magazine. Depress the base lock and slide the base under the two tabs and towards the rear of the magazine. This is a tight fit so push hard on the base until the base lock sticks into the hole in the base.

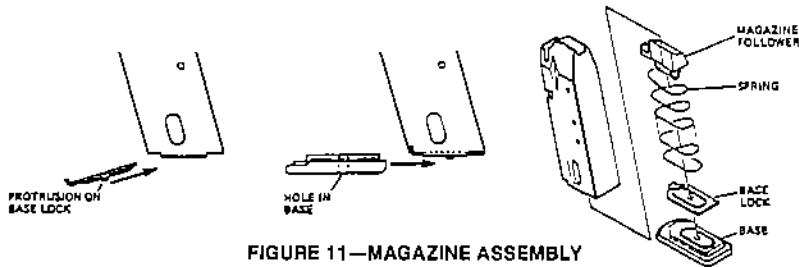


FIGURE 11—MAGAZINE ASSEMBLY

STORAGE

CAUTION: ALWAYS UNLOAD YOUR PISTOL FOR STORAGE AND STORE AMMUNITION SEPARATELY. Keep and store your pistol and ammunition securely locked and in separate locations out of reach and sight of children. (Children are naturally curious and do not always believe the real danger of guns.)

NOTE: Do not store your pistol in an air-tight container, and do not seal or attempt to seal the barrel to exclude dust, as the internal steel surface is more likely to corrode. Use the Colt packaging case 2c to carry and store your EMPTY pistol.

SERVICING AND REPAIR

Should your pistol require adjustment, or repair, make sure it is NOT LOADED and take it, or send it to the nearest COLT AUTHORIZED REPAIR SERVICE STATION (a list of addresses is provided separately). For spare parts, seek advice from the Dealer who should have up to date information on how best to obtain genuine Colt parts.

An illustration and list of part names are included in the next section of this instruction manual to help you identify the part you need, but it is important to

SAFETY DEPENDS ON YOU

note that all parts are not available for sale. Those parts which are available should be installed at a Colt Authorized Repair Service Station. When ordering parts, please give part name as given on the Parts List. Also give the caliber, model name, serial number and metal finish of your pistol, i.e., whether blue or nickel.

IMPORTANT: If you make unauthorized adjustments or use unauthorized parts, Colt will not assume responsibility for the functioning of this pistol. THIS GUN IS MANUFACTURED TO PERFORM PROPERLY WITH THE ORIGINAL PARTS AS DESIGNED. IT IS YOUR DUTY TO MAKE SURE ANY PARTS YOU BUY ARE INSTALLED CORRECTLY AND THAT NEITHER REPLACEMENTS NOR ORIGINALS ARE ALTERED OR CHANGED. That is why we say take it to a Colt Authorized Repair Service Station. YOUR GUN IS A COMPLEX TOOL WITH MANY PARTS THAT MUST RELATE CORRECTLY TO OTHER PARTS. PUTTING A GUN TOGETHER WRONG OR WITH MODIFIED PARTS CAN RESULT IN A DAMAGED GUN, DANGER, AND INJURY OR DEATH TO YOU AND OTHERS THROUGH MALFUNCTION. ALWAYS LET A QUALIFIED GUNSMITH WORK ON YOUR GUN AND CHECK ANY WORK YOU THINK WAS NOT PERFORMED BY A GUNSMITH. We at Colt think this is a small price to pay for firearms safety.

NOTE: Various Federal and State laws and local ordinances govern the transfer and transportation of firearms, so take the advice of the Dealer in your state on how to send or transport your firearm to a Colt Authorized Repair Service Station. Before shipping your pistol, here are some important points to remember:

1. CAUTION: MAKE SURE THAT THE MAGAZINE AND PISTOL ARE NOT LOADED.

2. Write a letter explaining the problem and your requirements in as much detail as possible. Include the model name and serial number of your pistol together with your return address, then enclose it with the empty pistol in the Colt packaging case 2c or a well padded package.

3. Do not send presentation boxes, accessories or ammunition.

4. A list of Colt Authorized Repair Service Stations is provided with your pistol.

5. Do not indicate the contents, or include "COLT" in the address on the package so that an inquisitive thief is not attracted to it by such information.

6. Insure the package contents against loss or theft.

This section is provided so that you may identify names of parts for your own interest. However, for adjustment, repair, or spare parts information, see Section 5 "Servicing and Repair".

DESCRIPTION

- | | | |
|---------------------------|---------------------------------|--|
| 1. Barrel | 19. Pin, Sear Roller | 37. Slide |
| 2. Barrel Bushing | 20. Pin, Rear Trigger | 38. Spring Assembly, Firing Pin |
| 3. Base Plate | 21. Pin, Takedown | 39. Spring, Barrel Bushing Detent |
| 4. Cam Block | 22. Plunger, Firing Pin Block | 40. Spring, Extractor |
| 5. Detent, Barrel Bushing | 23. Plunger, Trigger Spring | 41. Spring, Firing Pin Plunger |
| 6. Detent, Slide | 24. Rear Sight | 42. Spring, Firing Pin Return |
| 7. Ejector | 25. Receiver Assembly | 43. Spring, Magazine |
| 8. Extractor | 26. Recoil Spring Assy. | 44. Spring, Sear |
| 9. Firing Pin (Striker) | 27. Retainer, Base Plate | 45. Spring, Slide Detent |
| 10. Follower, Magazine | 28. Retainer Extractor | 46. Spring, Slide Stop |
| 11. Lift Plunger | 29. Retainer, Firing Pin Spring | 47. Spring, Trigger |
| 12. Magazine Tube | 30. Retainer Roller (2) | 48. Stock Assembly LH |
| 13. Magazine Catch | 31. Roll Pin, Firing Pin Roller | 49. Stock Assembly RH |
| 14. Magazine Catch Lock | 32. Roller, Firing Pin | 50. Stock Screw (4) |
| 15. Magazine Catch Spring | 33. Roller, Sear | 51. Stop, Slide |
| 16. Pin, Front Trigger | 34. Roller, Trigger (3) | 52. Trigger (Trigger Assembly) |
| 17 & 18. Pin, Plunger | 35. Roller, Trigger, Steel | 53. Tubing (Plastic) |
| | 36. Sear | A. Pin, Retaining Sear Spring
(Aluminum Receivers Only) |

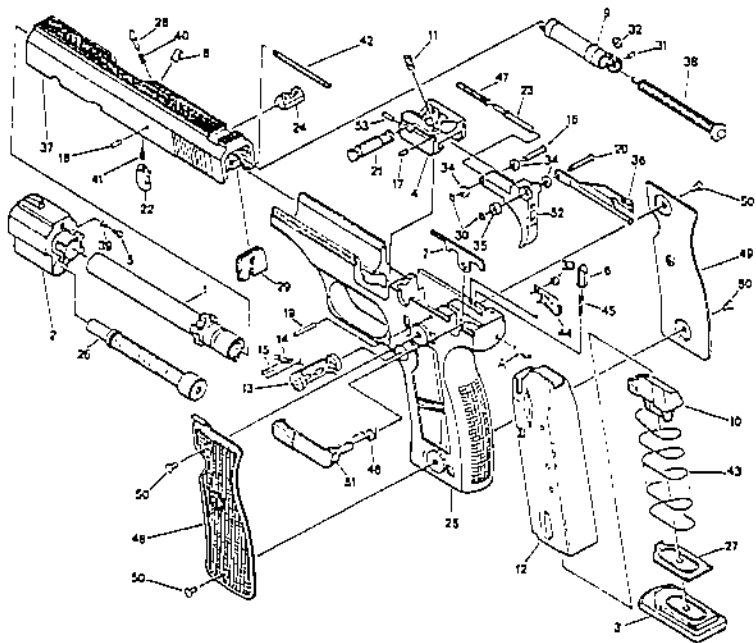


FIGURE 12—PARTS ILLUSTRATION: ALL AMERICAN PISTOL

Our Colt Custom Shop offers a wide range of special services such as engraving, inlaying and special serializing to the same high standard of quality long synonymous with the name "COLT". Sometimes modifications, which meet our customer's special requirements, necessitate deviations from standard design and manufacturing tolerances which result in functional differences from a standard gun. Consequently, this instruction manual does not apply to a customized gun unless its applicability has been confirmed by the Colt Custom Shop. For further information, write to Colt Custom Shop, P.O. Box 1868, Hartford, Connecticut 06144-1868.

FIREARM RECORD

Colt Model _____

Serial No. _____

Caliber _____

Purchased
from _____

Date
Purchased _____

Purchase
Price _____

WARRANTY STATEMENT

Based on Magnuson-Moss Warranty Act, Colt offers no express warranty on its product line. However, Colt recognizes its obligations concerning implied warranty. Colt also stands behind its product as it has historically, and will continue to provide service to its product line as it has over the years. Colt products will be serviced for a period of one year from date of retail purchase, for defects in materials or workmanship, at no charge to the purchaser. Be sure to retain your sales slip as proof of purchase date when making a claim.

If your instruction manual becomes lost or destroyed, obtain a replacement by writing to **Colt's Manufacturing Company, Inc., Box 1868, Hartford, Connecticut 06144-1868** or call **1-800-962-COLT**. Make a note of the address. When requesting a manual include the information which is on the left side of your firearm together with its serial number or quote the Part No. as shown on the back cover of this manual.



, the Rampant Colt figure, All American™, and all other Colt trademarks are the exclusive property of Colt's Manufacturing Company, Inc. For permission to reprint for noncommercial instructional purposes, prior approval from Colt's is required.

This instruction manual should always accompany this firearm. When you lend, give or sell this firearm, be sure this manual goes with it.

FUNDAMENTAL NRA RULES FOR SAFE GUN HANDLING

- 1. ALWAYS KEEP THE GUN POINTED IN A SAFE DIRECTION.**
- 2. ALWAYS KEEP YOUR FINGER OFF THE TRIGGER UNTIL READY TO SHOOT.**
- 3. ALWAYS KEEP THE GUN UNLOADED UNTIL READY TO USE.**

¿Habla Español?

Para cualquier aclaración de este manual, consulte con alguna persona perita en el manejo de armas de fuego.