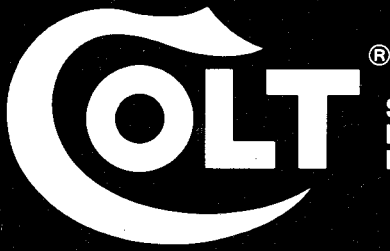


**WARNING: BEFORE USING THIS FIREARM  
READ AND FOLLOW THESE INSTRUCTIONS!**



**SAFETY AND  
INSTRUCTION  
MANUAL**

**COLT®  
GOVERNMENT  
MODEL  
380-AUTOMATIC**

© 1983 Colt Industries Operating Corp

This instruction manual should always accompany this firearm  
and be transferred with it upon change of ownership.

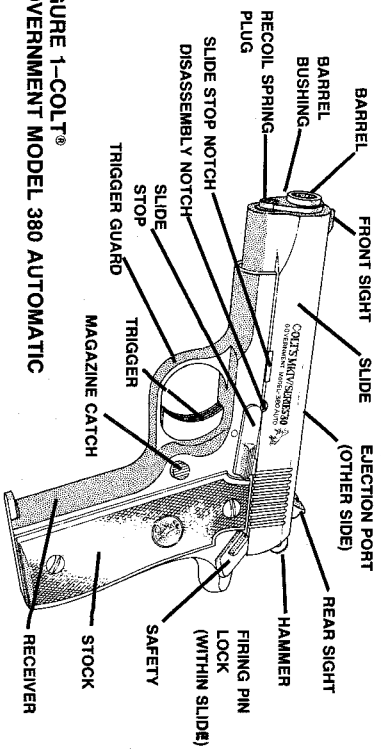


FIGURE 1—COLT®  
GOVERNMENT MODEL 380 AUTOMATIC

**CAUTION:** ALWAYS KEEP AND CARRY YOUR PISTOL EMPTY, WITH THE HAMMER FORWARD EXCEPT WHEN YOU INTEND TO SHOOT, SO THAT YOUR PISTOL CANNOT BE FIRED WHEN YOU DO NOT MEAN TO FIRE IT.

**CAUTION:** USE ONLY ORIGINAL HIGH QUALITY COMMERCIALLY MANUFACTURED AMMUNITION IN GOOD CONDITION WHICH IS APPROPRIATE TO THE CALIBER OF YOUR PISTOL—(SEE TABLE BELOW AND SECTION 3 CAUTION 14.) AND NEVER CARRY THE PISTOL WITH A ROUND IN THE CHAMBER UNTIL READY TO SHOOT.

PISTOL TYPE Colt® Government Model 380 automatic with barrel chambered for:

380 cal

SUITABLE AMMUNITION

380 auto

SAFETY DEPENDS ON YOU

## SECTION 1 PRECAUTIONS

READ AND UNDERSTAND ALL THE FOLLOWING PRECAUTIONS BEFORE REMOVING THIS FIREARM FROM ITS PACKAGE.

THIS COLT PRODUCT IS CLASSIFIED BY THE ALCOHOL, TOBACCO AND FIREARMS DIVISION OF THE INTERNAL REVENUE SERVICE, U.S. TREASURY DEPARTMENT, AS A FIREARM OR DANGEROUS WEAPON; IT IS, THEREFORE, POTENTIALLY LETHAL!

**WARNING:** IF THIS FIREARM IS CARELESSLY OR IMPROPERLY HANDLED, UNINTENTIONAL DISCHARGE COULD RESULT AND COULD CAUSE INJURY, DEATH, OR DAMAGE TO PROPERTY.

**CAUTION:** CAREFULLY READ THIS INSTRUCTION MANUAL WHICH GIVES BASIC ADVICE ON THE PROPER HANDLING AND FUNCTIONING OF THIS COLT FIREARM PRIOR TO LOADING AND FIRING. HOWEVER, YOUR SAFETY AND THE SAFETY OF OTHERS (INCLUDING YOUR FAMILY) DEPENDS ON YOUR MATURE COMPLIANCE WITH THAT ADVICE, AND YOUR ADOPTION, DEVELOPMENT AND CONSTANT EMPLOYMENT OF SAFE PRACTICES. IF UNFAMILIAR WITH FIREARMS, SEEK FURTHER ADVICE THROUGH SAFE HANDLING COURSES RUN BY YOUR LOCAL GUN CLUBS, NRA APPROVED INSTRUCTOR, OR SIMILAR QUALIFIED ORGANIZATIONS.

SAFETY DEPENDS ON YOU

**NOTICE—DISCLAIMER OF LIABILITY**

Colt shall not be responsible for injury, death, or damage to property resulting from either intentional or accidental discharge of this firearm, or from its function when used for purposes or subjected to treatment for which it was not designed. Colt will not honor claims involving this firearm which result from careless or improper handling, unauthorized adjustment or parts replacement, corrosion, neglect, or the use of wrong caliber ammunition, or the use of ammunition other than original high quality commercially manufactured ammunition in good condition, or any combination thereof. Colt will not honor claims involving this firearm for any reason or cause when such claims are made by the second or subsequent owner.

**IMPORTANT**

Before it left the factory this firearm was tested, carefully inspected, and packaged. Colt cannot control product handling after it leaves the factory; therefore, please examine this firearm carefully at the time of purchase to insure that it is unloaded and undamaged. The dealer will be pleased to assist you in making this examination and endeavor to answer your further questions.

This instruction manual should always accompany this firearm and be transferred with it upon change of ownership.

**LIST OF SECTIONS**

SECTION	TITLE	PAGE
1	PRECAUTIONS	1
2	Main Features	4
3	Safety Instructions	5
	<b>CAUTIONS</b>	5
	Safety Features:	12
	Safety	12
	Safety Stop on Hammer	13
	Disconnect	13
	Inertia Firing Pin	14
	Firing Pin Lock	14
4	Function:	15
	Loading	16
	Unloading	19
	Firing	21
	Maintenance:	24
5	Stripping for Cleaning	25
	When to Clean	29
	How to Clean	29
	Cleaning the Magazine	31
	Storage	32
6	Service and Repair	32
	Parts Illustration and List	34
7	The Customized Gun	36

4. ALWAYS MAKE SURE YOUR PISTOL IS NOT LOADED AND SLIDE IS LATCHED OPEN BEFORE LAYING IT DOWN, OR HANDING IT TO ANOTHER PERSON, SO THAT IT CANNOT BE FIRED WHEN IT IS UNSAFE TO DO SO.
5. ALWAYS KEEP AND CARRY YOUR PISTOL EMPTY, WITH THE HAMMER FORWARD EXCEPT WHEN YOU INTEND TO SHOOT, SO THAT YOUR PISTOL CANNOT BE FIRED WHEN YOU DO NOT MEAN TO FIRE IT.
6. ALWAYS BE AWARE OF POSSIBLE RISK FROM DROPPING YOUR PISTOL. SOME PARTS OF THE MECHANISM COULD BE DAMAGED. YOU MAY NOT SEE THE DAMAGE BUT IF IT IS SEVERE THE PISTOL MAY DISCHARGE AND CAUSE INJURY, DEATH OR DAMAGE TO PROPERTY. IF YOUR PISTOL HAS BEEN DROPPED HAVE IT EXAMINED BY A COMPETENT GUNSMITH BEFORE USING IT AGAIN.
7. NEVER LEAVE PISTOL COCKED READY TO FIRE AS THIS CONDITION IS EXTREMELY DANGEROUS, AND PISTOL COULD EASILY BE ACCIDENTALLY DISCHARGED, CAUSING INJURY, DEATH, OR DAMAGE TO PROPERTY.
8. NEVER LEAVE A LOADED PISTOL UNATTENDED. SOMEONE, ESPECIALLY A CHILD, MAY FIRE IT AND CAUSE INJURY, DEATH, OR DAMAGE TO PROPERTY.
9. ALWAYS INSTRUCT CHILDREN TO RESPECT FIREARMS. IF YOU TEACH YOUR CHILDREN TO SHOOT, TEACH THEM OR GET THEM TRAINED BY A QUALIFIED INSTRUCTOR TO TREAT AND USE THE PISTOL PROPERLY, AND ALWAYS SUPERVISE THEM CLOSELY. ALWAYS STRESS SAFETY SO

- THAT YOUR CHILDREN WILL NOT FIRE THE PISTOL WHEN IT IS UNSAFE TO DO SO.
- RANGE CAUTIONS:**
10. ALWAYS BE SURE YOUR BACKSTOP IS ADEQUATE TO STOP AND CONTAIN BULLETS BEFORE BEGINNING TARGET PRACTICE SO THAT YOU DO NOT HIT ANYTHING OUTSIDE THE RANGE SHOOTING AREA.
  11. ALWAYS PUT A KNOWLEDGEABLE AND RESPONSIBLE PERSON IN CHARGE TO MAINTAIN SAFETY CONTROL WHEN A GROUP IS FIRING ON A RANGE. OBEY HIS COMMANDS SO THAT DISCIPLINE IS MAINTAINED TO REDUCE THE LIKELIHOOD OF ACCIDENTS.
  12. ALWAYS CARRY YOUR PISTOL EMPTY WITH SLIDE LATCHED OPEN WHILE ON A RANGE UNTIL PREPARING TO FIRE. KEEP IT POINTING TOWARDS THE BACKSTOP WHEN LOADING, FIRING AND UNLOADING, TO ELIMINATE THE RISK OF INJURY, DEATH, OR DAMAGE TO PROPERTY.
- LOADING CAUTIONS:**
13. ALWAYS BE SURE BARREL BORE, CHAMBER AND ACTION ARE CLEAN AND CLEAR OF OBSTRUCTIONS. CLEAN A FOULED PISTOL IMMEDIATELY SO THAT IT WILL FUNCTION CORRECTLY AND SAFELY.
  14. ALWAYS USE ONLY CLEAN, DRY, ORIGINAL HIGH QUALITY COMMERCIAL MANUFACTURED AMMUNITION IN GOOD CONDITION WHICH IS APPROPRIATE TO THE CALIBER OF YOUR PISTOL. (SEE INSIDE FRONT COVER). GUN AND AM-

MUNITION MANUFACTURERS DESIGN THEIR PRODUCTS WITHIN EXACTING ENGINEERING SAFETY LIMITS. HANDLOADS AND REMANUFACTURED AMMUNITION ARE SOMETIMES OUTSIDE THOSE LIMITS AND CAN BE SO UNSAFE AS TO BLOW UP THE CHAMBER, SLIDE AND RECEIVER AND CAUSE INJURY, DEATH OR DAMAGE TO PROPERTY.

**SHOOTING CAUTIONS:**

15. NEVER DRINK ALCOHOLIC BEVERAGES OR TAKE DRUGS BEFORE OR DURING SHOOTING, AS YOUR VISION AND JUDGMENT COULD BE SERIOUSLY IMPAIRED MAKING YOUR GUN HANDLING UNSAFE.

16. ALWAYS SEEK A DOCTOR'S ADVICE IF YOU ARE TAKING MEDICATION, TO BE SURE YOU ARE FIT TO SHOOT AND HANDLE YOUR PISTOL SAFELY.

17. ALWAYS WEAR AND ENCOURAGE OTHERS NEAR YOU TO WEAR EAR PROTECTION WHEN SHOOTING, ESPECIALLY ON A RANGE. WITHOUT EAR PROTECTION, THE NOISE FROM YOUR PISTOL, AND OTHER GUNS CLOSE TO YOU, COULD LEAVE A "RINGING" IN THE EARS FOR SOME TIME AFTER FIRING, WHILE THE CUMULATIVE LONG TERM EFFECT COULD BE PERMANENT HEARING LOSS.

18. ALWAYS WEAR AND ENCOURAGE OTHERS TO WEAR PROTECTIVE SHOOTING GLASSES. FLYING PARTICLES COULD DAMAGE EYES AND CAUSE BLINDNESS; BUT PROTECTIVE SHOOTING GLASSES SHOULD PREVENT SUCH INJURY.

19. ALWAYS KEEP THE SAFETY ON WHEN PISTOL IS LOADED AND COCKED UNTIL YOU ARE READY TO FIRE. THIS WILL MINIMIZE RISK OF AN ACCIDENTAL DISCHARGE.

20. ALWAYS KEEP CLEAR AND KEEP OTHERS CLEAR OF THE EJECTION PORT. SPENT CARTRIDGES ARE EJECTED WITH ENOUGH FORCE TO CAUSE INJURY AND THE EJECTION PORT MUST BE UNOBSTRUCTED BY YOUR HAND TO INSURE SAFE EJECTION OF LIVE ROUNDS. NEVER PLACE FINGERS IN EJECTION PORT; THEY COULD BE BURNED BY HOT METAL OR INJURED BY THE SLIDE MOVING FORWARD.

21. NEVER SQUEEZE THE TRIGGER OR PUT YOUR FINGER IN THE TRIGGER GUARD UNTIL YOU ARE AIMING AT A TARGET AND READY TO SHOOT. THIS WILL PREVENT YOU FIRING THE PISTOL WHEN IT IS POINTING IN AN UNSAFE DIRECTION.

22. ALWAYS BE ABSOLUTELY SURE OF YOUR TARGET AND THE AREA BEHIND IT BEFORE YOU SQUEEZE THE TRIGGER. A BULLET COULD TRAVEL THROUGH OR PAST YOUR TARGET UP TO 1½ MILES... IF IN DOUBT, DON'T SHOOT.

23. NEVER SHOOT AT A HARD SURFACE SUCH AS ROCK, OR A LIQUID SURFACE SUCH AS WATER. A BULLET MAY RICOCHET AND TRAVEL IN ANY DIRECTION TO STRIKE YOU, OR AN OBJECT YOU CANNOT SEE, CAUSING INJURY, DEATH, OR DAMAGE TO PROPERTY.

24. NEVER FIRE YOUR PISTOL NEAR AN ANIMAL UNLESS IT IS TRAINED TO ACCEPT THE NOISE; AN ANIMAL'S STARTLED REACTION COULD INJURE IT OR CAUSE AN ACCIDENT.

25. NEVER INDULGE IN "HORSEPLAY" WHILE HOLDING YOUR PISTOL AS IT MAY BE ACCIDENTALLY DISCHARGED.

26. NEVER WALK, CLIMB OR FOLLOW A COMPANION WITH YOUR PISTOL COCKED READY TO FIRE, OUT OF ITS HOLSTER, OR WITH THE HAMMER IN ANY POSITION OTHER THAN FORWARD ON AN EMPTY CHAMBER, TO ELIMINATE RISK OF ACCIDENTAL DISCHARGE. WHEN HUNTING, HOLD YOUR PISTOL SO THAT YOU CAN ALWAYS CONTROL THE DIRECTION OF THE MUZZLE.

**MALEFUNCTION CAUTIONS:**

27. FAILURE TO FIRE: ALWAYS HOLD PISTOL, KEEPING IT POINTED TOWARDS THE TARGET OR A SAFE OPEN AREA AND WAIT 30 SECONDS WHEN PISTOL FAILS TO FIRE. IF A HANGFIRE (slow ignition) HAS OCCURRED, ROUND WILL FIRE WITHIN 30 SECONDS. IF ROUND DOES NOT FIRE, REMOVE MAGAZINE. EJECT ROUND AND EXAMINE PRIMER: IF FIRING PIN INDENT ON PRIMER IS LIGHT, OFF CENTER, OR NON-EXISTENT, HAVE PISTOL EXAMINED BY A COMPETENT GUNSMITH. IF FIRING PIN INDENT ON PRIMER APPEARS NORMAL (In comparison with similar previously fired rounds) ASSUME FAULTY AMMUNITION; SEGREGATE MISFIRED ROUND FROM OTHER LIVE AMMUNITION AND EMPTY CASES, RELOAD AND CARRY ON FIRING.

**Note:** Dispose of misfired rounds in accordance with ammunition manufacturer's instructions.

28. NEVER USE YOUR PISTOL IF IT FAILS TO FUNCTION PROPERLY, AND NEVER FORCE A JAMMED ACTION, AS A

ROUND MAY EXPLODE CAUSING SERIOUS INJURY, POSSIBLE DEATH, OR SEVERE DAMAGE TO YOUR PISTOL.

**CLEANING AND STORAGE CAUTIONS:**

29. ALWAYS MAKE SURE YOUR PISTOL IS NOT LOADED BEFORE CLEANING AND STORING SO THAT IT CANNOT BE FIRED WHEN IT IS UNSAFE TO DO SO.

30. ALWAYS KEEP AND STORE YOUR PISTOL AND AMMUNITION IN SEPARATE LOCKED RECEPTACLES OUT OF REACH AND SIGHT OF CHILDREN AND UNTRAINED PEOPLE. TO MINIMIZE THE RISK OF PISTOL AND AMMUNITION BEING EASILY AVAILABLE FOR LOADING AND FIRING.

**GUN ABUSE CAUTIONS:**

31. NEVER ABUSE YOUR PISTOL BY USING IT FOR ANY PURPOSE OTHER THAN SHOOTING.

32. NEVER DRY FIRE THE PISTOL WHEN THE SLIDE IS REMOVED FROM THE RECEIVER, AND DO NOT ALTER PARTS AS THE LEVEL OF SAFETY COULD BE REDUCED.

**Note:** Please note that we have chosen to use the word "SQUEEZE" in this instruction manual instead of "PULL" or "PRESS" when trigger movement is described; this is simply to remind you of the need for a gentle squeezing action to achieve accuracy.

## SAFETY FEATURES

The Government Model 380 Automatic incorporates several positive safety devices which, if properly employed, can minimize the danger of accidental firing. These safety devices are described below.

### Safety

The Safety is located on the left rear of the receiver just below the slide. The safety can be applied when the hammer is cocked with the slide either forward or back. When the hammer is cocked and the safety pushed up, an internal cam surface blocks hammer movement without interfering with the sear mechanism. When the safety is down, the hammer is free to move to fire the pistol when the trigger is squeezed.

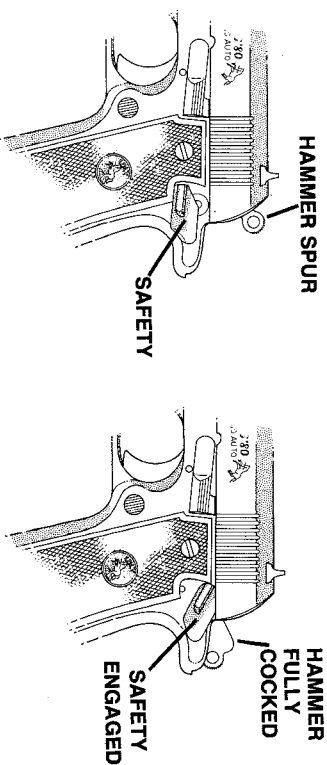


FIGURE 2-SAFETY

SAFETY DEPENDS ON YOU

### Safety Stop on Hammer

The safety stop is a flat, shelf-like surface on the hammer which functions as an automatic fail-safe device. It will engage the sear in the unlikely event of primary sear notch failure. This will prevent the hammer from falling fully forward unintentionally and will insure against uncontrolled automatic fire. It also prevents the hammer from striking the firing pin should your hand slip from the slide or hammer while cocking the pistol, provided the hammer is rotated past the safety stop. It is located such that when the sear engages the safety stop, the sear can be disengaged by squeezing the trigger to allow the hammer to fall forward. By design, the hammer is supposed to fall forward off the safety stop when the trigger is pulled. The safety stop is not a manual safety and should *not* be engaged by hand.

**CAUTION: ALWAYS POINT PISTOL IN A SAFE DIRECTION WHEN SQUEEZING THE TRIGGER TO LOWER THE HAMMER. THIS WILL AVOID ACCIDENTAL INJURY IN THE UNLIKELY EVENT OF PISTOL DISCHARGE.**

### Disconnect

This safety device prevents a round being fired before it is in the chamber with slide and barrel locked. When slide is not fully forward the Disconnect is depressed; its lower part disengages the sear, so that hammer cannot be released if the trigger is squeezed. However, when slide and barrel are locked, a spring pushes the Disconnect up into a recess in the slide; this links trigger and sear so that the pistol can be fired by squeezing the trigger.

SAFETY DEPENDS ON YOU

**CAUTION: NEVER ATTEMPT TO CHECK OR DEMONSTRATE THE DISCONNECT FUNCTION WITH A LOADED PISTOL. PUSHING ON THE MUZZLE WITH YOUR HAND OR ANY OTHER PORTION OF THE BODY IS EXTREMELY DANGEROUS AND COULD RESULT IN ACCIDENTAL DISCHARGE CAUSING INJURY, DEATH, OR DAMAGE TO PROPERTY.**

#### **Inertia Firing Pin**

The firing pin, which is shorter than its housing, is held to the rear by a spring and cannot protrude through face of slide unless the force of a blow overcomes the spring pressure and the inertia of the pin. This will occur when the hammer falls.

#### **Firing Pin Lock**

The firing pin lock engages the firing pin to prevent its movement until the trigger is squeezed. Housed in the slide, the firing pin lock is spring loaded into engagement with the firing pin to prevent it striking the cartridge primer. Squeezing the trigger moves the ejector to disengage the firing pin lock before the sear releases the hammer to strike the firing pin and discharge the pistol. This safety device minimizes the risk of accidental discharge through mishandling and when a loaded pistol is dropped or receives a blow to the muzzle.

**IMPORTANT:** These safety devices are designed and installed in this pistol to prevent accidental discharge. Of course, this Colt pistol is designed primarily to discharge bullets, and it will do this efficiently when it is loaded and you squeeze the trigger. Always expect the gun to fire when you squeeze the trigger.

## **SECTION 4**

## **FUNCTION**

The Colt Government Model 380 Automatic is ready to fire when a loaded magazine is inserted into the pistol, the slide pulled back to cock the hammer, and released to travel forward and feed a round from the magazine into the chamber. Final forward slide movement locks barrel and slide together and deactivates the disconnect. When the trigger is squeezed the ejector disengages the firing pin lock just before the sear disengages from the hammer which pivots forward under mainspring force to strike the rear of the firing pin. The firing pin is driven forward to strike the primer in base of cartridge. Energy imparted to the primer ignites it; the primer in turn ignites the main powder charge which, in burning, rapidly generates extremely high gas pressure to drive the bullet down the barrel. Rifling grooves in the barrel impart stabilizing spin to the bullet so that it will follow a more accurate path to the target.

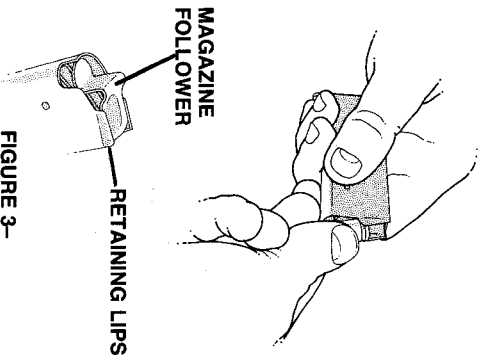
Force rearward on the slide breech face starts slide and barrel on their rearward travel; however, the slide unlocks from the barrel only after gas pressure is reduced to a safe level. Rearward slide travel depresses the disconnect, carries spent cartridge rearward on the extractor until base of cartridge strikes ejector to propel spent case through the ejection port. Slide movement continues under momentum to fully cock the hammer. If last round has been fired, the magazine follower will activate the slide stop to hold slide to rear, but if a round remains in the magazine, the slide will move forward to feed and lock the next round in the chamber. The trigger must be released and squeezed again to fire the next round.



**LOADING****To Load A Magazine:**

- CAUTION: READ SAFETY INSTRUCTIONS** (Section 3).
- Use only ammunition recommended inside front cover of this instruction manual as suitable for your pistol. **EXAMINE THE AMMUNITION, PARTICULARLY ON AND AROUND THE PRIMER. LOOK FOR DENTS, SCRATCHES AND OTHER SIGNS OF DAMAGE. DO NOT LOAD DAMAGED AMMUNITION.**

- With open end uppermost, grasp magazine in one hand as illustrated in Figure 3. Place a round on magazine follower with base just forward of retaining lips. Press round down and back until base of round touches rear flat edge of magazine. Place next round on top of previous round and press down and back. Repeat until magazine is loaded WITH UP TO 7 ROUNDS.



**FIGURE 3—  
LOADING A MAGAZINE**

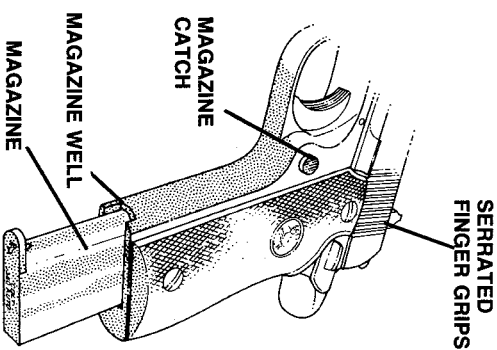
**CAUTION: TO MINIMIZE RISK OF UNINTENTIONAL DISCHARGE, LOAD LIVE AMMUNITION INTO PISTOL ONLY WHEN YOU ARE ABOUT TO SHOOT.**

SAFETY DEPENDS ON YOU

**To Load The Pistol:**

- CAUTION: READ SAFETY INSTRUCTIONS** (Section 3)—**KEEP PISTOL POINTING IN SAFE DIRECTION AND DO NOT TOUCH THE TRIGGER.**

- Remove empty magazine from pistol by placing your hand under magazine to prevent it from falling and pressing magazine catch (located on left of pistol behind trigger guard) to release and eject magazine from magazine well. (See Figure 4).
- Hold pistol by stock with one hand and, keeping other hand clear of ejection port, grasp serrated finger grips on both sides of slide. Pull slide back slightly and **LOOK IN CHAMBER TO ENSURE IT IS EMPTY**; allow slide to return forward. (If slide was fully to rear, release cocked hammer by squeezing trigger after ensuring chamber is empty.)
- Insert loaded magazine into magazine well with bullets pointing forward. Push magazine fully "home" until magazine catch is heard to "click" locking it in place.



**FIGURE 4—  
MAGAZINE PARTIALLY INSERTED**

SAFETY DEPENDS ON YOU

**IMPORTANT:** Do not strike base of magazine to drive it home—just push it firmly into pistol. Otherwise, you could damage magazine and injure your hand.

5. When you are ready to shoot, grip the slide as described in Step 3 and pull it fully rearward to cock the hammer. Release slide to feed a round from the magazine into the chamber. **THE PISTOL IS NOW LOADED AND READY TO FIRE.**

6. Apply Safety by pushing it up to prevent the hammer falling forward if trigger is moved.

**CAUTION: NEVER LEAVE PISTOL COCKED AND READY TO FIRE (AS IN STEP 5) AS THIS CONDITION IS EXTREMELY DANGEROUS; PISTOL COULD EASILY BE ACCIDENTALLY DISCHARGED, CAUSING INJURY, DEATH, OR DAMAGE TO PROPERTY.**

**Note:** This pistol may be carried in any one of the following modes according to your needs:

Mode 1: —MAGAZINE EMPTY, CHAMBER EMPTY.

—Pistol cannot be discharged.

—Use Mode 1 for storage, transporting, cleaning, repair, demonstrating and dry practice.

Mode 2: —MAGAZINE LOADED, CHAMBER EMPTY, HAMMER DOWN, SAFETY ON.

—Pistol cannot be fired until safety is off, slide is cycled and trigger is squeezed.

—Use Mode 2 when CARRYING THE PISTOL READY FOR USE.

SAFETY DEPENDS ON YOU

Mode 3: —MAGAZINE LOADED, CHAMBER LOADED, HAMMER COCKED, SAFETY ON.

—Pistol can be fired when safety is off and trigger is squeezed.

—Use Mode 3 when you must BE PREPARED TO use the pistol IMMEDIATELY without warning.

**WARNING:** When you squeeze the trigger, you must expect the gun to fire, and you must take full responsibility for firing it. Your care can avoid accidental discharge, and you will thereby avoid accidental injury and death.

#### UNLOADING

**CAUTION: ALWAYS UNLOAD YOUR PISTOL IMMEDIATELY AFTER USE AND BEFORE CLEANING AND STORAGE TO MINIMIZE THE RISK OF ACCIDENTAL DISCHARGE.**

#### To Unload:

1. Be sure you are familiar with Safety Instructions in Section 3. KEEP PISTOL POINTING IN A SAFE DIRECTION, DO NOT TOUCH TRIGGER AND ALWAYS KEEP HANDS AWAY FROM MUZZLE AND EJECTION PORT.

2. Place hand under magazine to prevent it falling and press magazine catch to release and eject magazine.

**Note:** If slide is fully rearward, step 3 does not apply.

SAFETY DEPENDS ON YOU

3. Using serrated finger grips pull slide sharply rearward to extract and eject a round from the chamber. Keep your hands clear of the ejection port to allow round to eject without obstruction. Examine previously chambered round for dents or other damage and dispose of it as explained in paragraph 7.
4. **CAUTION: LOOK IN THE CHAMBER TO ENSURE IT IS EMPTY AND SEE THAT MAGAZINE HAS BEEN REMOVED.**
5. Keep pistol pointing in a safe direction, allow slide to return forward on empty chamber and squeeze trigger to allow hammer to fall forward. (If slide is held to rear by the slide stop, pull slide back slightly, then release it.)
6. Remove remaining live rounds by sliding them forward out of the magazine.
7. Collect undamaged live ammunition for safe storage and future use. Collect spent cartridge cases for disposal. **SEGREGATE MISFIRE AND DAMAGED LIVE AMMUNITION FOR DISPOSAL ACCORDING TO AMMUNITION MANUFACTURER'S INSTRUCTIONS.**

#### **FIRING**

Before firing your Colt pistol, practice your stance, aim, rhythm and breathing for steady aim, with your pistol UNLOADED.

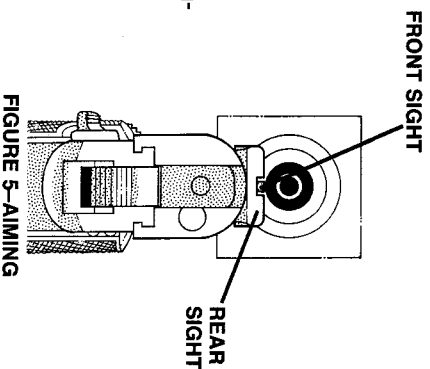
Practice firing on a range before going hunting or using your pistol for any other type of shooting.

#### **CAUTIONS:**

1. ALWAYS WEAR AND ENCOURAGE OTHERS TO WEAR EAR PROTECTION WHEN SHOOTING, ESPECIALLY ON A RANGE. WITHOUT EAR PROTECTION, THE NOISE FROM YOUR PISTOL, AND OTHER GUNS CLOSE TO YOU, COULD LEAVE A "RINGING" IN THE EARS FOR SOME TIME AFTER FIRING, WHILE THE CUMULATIVE LONG TERM EFFECT COULD BE PERMANENT HEARING LOSS.
2. ALWAYS WEAR AND ENCOURAGE OTHERS TO WEAR PROTECTIVE SHOOTING GLASSES. FLYING PARTICLES COULD DAMAGE EYES AND CAUSE BLINDNESS: BUT PROTECTIVE SHOOTING GLASSES SHOULD PREVENT SUCH INJURY.

**To Fire:**

1. Be sure you are familiar with "Safety Instructions" in Section 3. **KEEP PISTOL POINTING IN SAFE DIRECTION.**
2. Load pistol as previously described.
3. Grasp pistol by stock and, with index finger resting along the outside of trigger guard, take aim. (Aim by aligning target with front and rear sights, See Figure 5).
4. Press safety down out of engagement.
5. Keeping steady aim, place index finger on trigger and squeeze gently until hammer falls. Don't jerk the trigger as you will disturb your aim and spoil your accuracy. To fire the second and subsequent rounds, all that is necessary is to release the trigger and squeeze it again after every shot until you have completed firing.
6. **THIS IS A SEMI-AUTOMATIC PISTOL AND IS IMMEDIATELY LOADED AND COCKED READY TO FIRE AGAIN AFTER EACH SHOT UNTIL MAGAZINE IS EMPTY.**
7. Release trigger, remove index finger from trigger, and apply Safety by pushing it up.



**CAUTION: IF PISTOL FAILS TO FIRE, HOLD IT, KEEP-  
ING IT POINTED TOWARDS THE TARGET OR SAFE**

SAFETY DEPENDS ON YOU

**OPEN AREA AND WAIT 30 SECONDS. IF A HANGFIRE (slow ignition) HAS OCCURRED, ROUND WILL FIRE WITHIN 30 SECONDS. IF ROUND DOES NOT FIRE, REMOVE MAGAZINE, EJECT ROUND AND EXAMINE PRIMER. IF FIRING PIN INDENT ON PRIMER IS LIGHT, OFF CENTER, OR NONEXISTENT, HAVE PISTOL EXAMINED BY A COMPETENT GUNSMITH. IF FIRING PIN INDENT ON PRIMER APPEARS NORMAL (in comparison with similar previously fired rounds) ASSUME FAULTY AMMUNITION; SEGREGATE MISFIRED ROUND FROM OTHER LIVE AMMUNITION AND EMPTY CASES; RELOAD AND CARRY ON FIRING.**

**Note:** Dispose of misfired rounds in accordance with the ammunition manufacturer's instructions.

**8. CAUTION: KEEP PISTOL POINTING IN A SAFE DIRECTION. Unload as previously described.**

**IMPORTANT:** If you cock your pistol but do not fire it, apply Safety until ready to fire. If you lose the opportunity to fire, unload your pistol as previously described. Remember, if a round is in the chamber there is a risk of accidental discharge.

**CAUTION: NEVER LEAVE PISTOL COCKED READY TO FIRE AS THE FIRE CONDITION IS EXTREMELY DANGEROUS, AND PISTOL COULD EASILY BE ACCIDENTALLY DISCHARGED CAUSING INJURY, DEATH, OR DAMAGE TO PROPERTY.**

SAFETY DEPENDS ON YOU

**SECTION 5****MAINTENANCE**

A Colt Pistol, like any other precision mechanism, will perform better, last longer and remain safer when it is properly maintained. Follow the instructions in this Section to keep your pistol in peak condition. KEEP your pistol clean and well lubricated to prolong its reliable life.

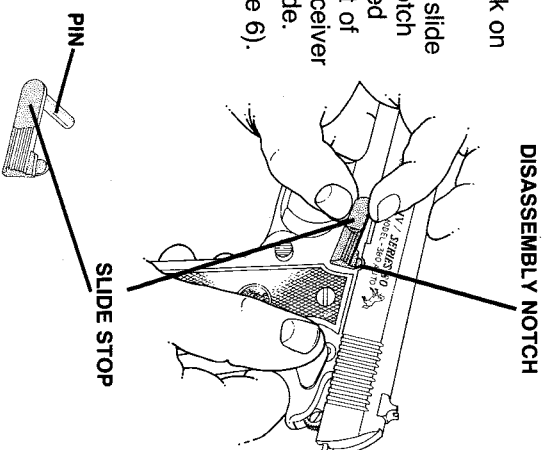
**CAUTIONS:**

1. ENSURE THAT MAGAZINE IS REMOVED AND THE PISTOL IS NOT LOADED BEFORE STRIPPING AND CLEANING, SO THAT IT WILL NOT FIRE.
2. WEAR SAFETY GLASSES IN CASE YOU LOSE CONTROL OF SOME SPRING LOADED COMPONENT WHICH COULD INJURE YOUR EYES.
3. NEVER DRY FIRE THIS PISTOL WHEN SLIDE IS REMOVED FROM RECEIVER, AND DO NOT ALTER PARTS AS THE LEVEL OF SAFETY COULD BE REDUCED.

**Note:** Force is unnecessary and should never be used to strip or assemble your pistol.

**STRIPPING FOR CLEANING**

1. Ensure magazine is removed and pistol is NOT loaded. Be sure you are familiar with the Safety Instructions in Section 3.
2. Cock hammer by pulling back on hammer spur.
3. Pull slide to rear until lug on slide stop is opposite disassembly notch (See Figure 6) and push rounded end of pin of slide stop (on right of receiver) inward and through receiver to disengage slide stop from slide.
4. Lift out slide stop (See Figure 6).
5. Push slide forward off the receiver.



**FIGURE 6—  
REMOVING SLIDE STOP**

6. With muzzle pointing upward, press down on recoil spring plug (located just below muzzle) and at same time rotate barrel bushing clockwise about 1/4 turn; this will free plug and recoil spring. Keep pressure on plug to prevent it being ejected violently by the spring, then allow plug and spring to gradually extend out of the slide (See Figure 7).
7. Turn barrel bushing counter-clockwise, then remove bushing from slide.
8. Remove barrel through rear of slide.

**IMPORTANT:** Do not strip your pistol further than previously described. If additional maintenance is required, see "Service and Repair" later in this instruction manual.

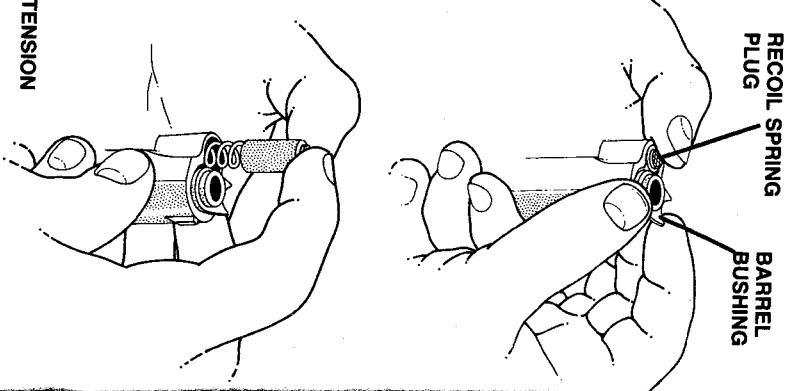


FIGURE 7—  
RELEASING RECOIL SPRING TENSION

SAFETY DEPENDS ON YOU

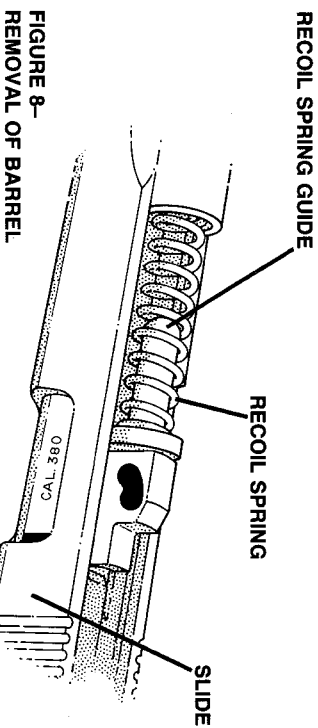


FIGURE 8—  
REMOVAL OF BARREL

**Note:** Assemble in reverse order. After the barrel and bushing are reassembled into the slide at step 6, run the slide onto the receiver. Then depress the ejector just enough to allow the slide to pass over it. (If ejector is pushed down too far it can be prevented from returning to its proper position by the sear spring. If this occurs see "Rectifying a Reversed Ejector"). Continue to run the slide along the receiver until the barrel lug hole is exposed through the slide stop hole. Insert the slide

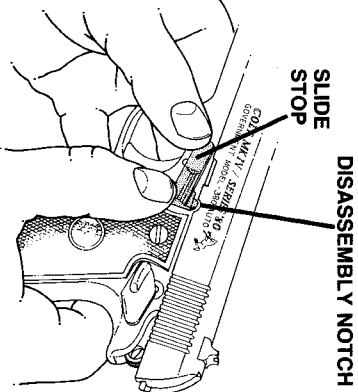


FIGURE 9—  
INSTALLING SLIDE STOP

SAFETY DEPENDS ON YOU

stop into the receiver and through the barrel lug taking care not to scratch the pistol. Snap the slide stop into place by pressing in when the disassembly notch is properly aligned (See Figure 9). Then continue assembling in reverse order 5 through 1.

### RECTIFYING A REVERSED EJECTOR

When the ejector is pushed down too far during assembly, it may reverse and become lodged against the top of the sear spring. This may be rectified as follows:

1. Remove 4 stock screws and stock set from receiver.
2. Turn pistol upside down.
3. Insert screwdriver through magazine well of receiver and push against top of sear spring until ejector comes free and returns to its correct position.
4. Remove screwdriver from magazine well and reassemble stock set taking care to tighten 4 screws firmly but without over-tightening.

SAFETY DEPENDS ON YOU

### WHEN TO CLEAN

You should clean your pistol as soon after firing as possible so that the job will be easier and there will be less opportunity for corrosion to start. When your pistol has not been fired, clean it periodically; we suggest once or twice a year in a temperate climate, or as often as once a month in a tropical climate. If you carry a loaded pistol, UNLOAD it and clean it at least once a month. If you get your pistol wet, clean it as soon as possible.

### HOW TO CLEAN

The following cleaning procedure may be used both periodically and after firing; however, those items marked "\*" are unnecessary for periodic cleaning.

**Materials:** Cleaning rod, cotton flannel patches (cut to fit snugly into the bore), a small toothbrush, good quality light gun oil, \*gun cleaning solution, and \*a brass wire bristle bore cleaning brush.

**Note:** In freezing conditions (below 32°F or 0°C) avoid the use of oil for lubrication; instead, apply a dry lubricant sparingly.

#### Procedure:

1. **CAUTION: ENSURE THAT THE PISTOL IS NOT LOADED.**

2. Strip for cleaning as previously described.

**Note:** Avoid contact between cleaning rod and muzzle as resultant wear will reduce accuracy.

3. Attach cotton flannel patch to end of cleaning rod, insert it in breech and pass rod and patch down through barrel. Repeat, changing patches until last patch comes out clean.

SAFETY DEPENDS ON YOU

4. Visually inspect barrel; if it is clean, proceed directly to step 7, but if it remains dirty, continue with step 5.
5. **\*NOTE:** This item should be applicable only after firing.) Attach brass wire bristle brush to cleaning rod and dip brush in gun cleaning solution. Thoroughly scrub out barrel, passing the brush all the way through before reversing the movement. If you try to change direction with brush in barrel, the brush will stick.
6. Repeat steps 3 and 4 above.
7. Clean rear face of barrel and face of slide, using a small toothbrush.
8. Lightly moisten a flannel patch with gun oil and pass it once through barrel, leaving a thin film of oil on the inside surface. Leave this film of oil on the inside surface if pistol is to be stored. If it is not to be stored, or if it is being removed from storage for use, pass a dry patch through barrel to remove as much oil as possible especially from the chamber in rear of barrel.
9. Check that flannel or brush bristles have not become lodged in any part of pistol, then wipe all accessible metal surfaces with a flannel patch lightly moistened with gun oil. (See note on cold weather lubrication.)
10. Reassemble pistol as previously described.
11. Again wipe external surfaces with oil moistened patch to remove any finger prints. (Finger moisture, if left, could start a corrosion process.) (See note on cold weather lubrication.)
12. Remove any gun cleaning solution and oil from the stock.

SAFETY DEPENDS ON YOU

### CLEANING THE MAGAZINE

It is advisable to clean the magazine(s) whenever the pistol is cleaned. To do so, remove the magazine follower and spring by depressing them with a piece of wood (pen or pencil) about two inches into the magazine and inserting a thin rod (small screwdriver) through lower of the front two holes in the magazine body. This will hold the spring under tension. Invert the magazine and lightly tap it so that the follower falls away from the spring; lift out the follower from the magazine body. Push down on spring to take up the spring tension, remove the thin rod and allow the spring to extend, then remove it completely.

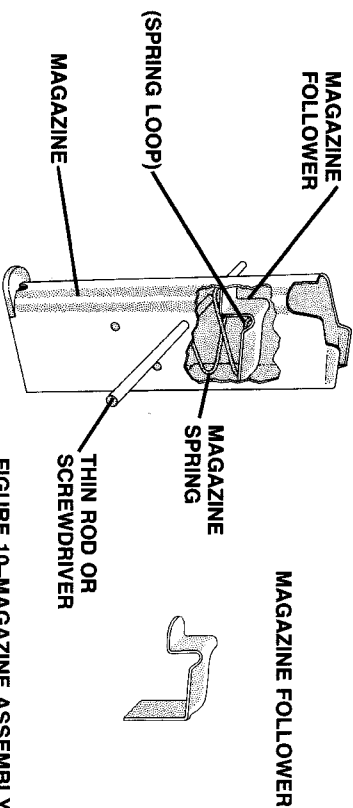


FIGURE 10—MAGAZINE ASSEMBLY

Clean all three components, taking care to remove carbon deposits from the lips of the magazine and the magazine follower. Wipe

SAFETY DEPENDS ON YOU



components with lightly oiled cloth and reassemble. Place spring correctly oriented, i.e., with loop uppermost pointing forward, into the magazine body, compress spring and insert thin rod as for dis-  
mantling. Place follower in magazine as illustrated. (See Figure 10) take up spring tension, remove thin rod and allow spring to reassert its influence on the follower.

#### STORAGE

#### **CAUTION: ALWAYS UNLOAD YOUR PISTOL FOR STORAGE AND STORE AMMUNITION SEPARATELY.**

Store your pistol and ammunition securely locked and in separate locations out of reach and sight of children. (Children are naturally curious and do not always believe the real danger of guns.)

**Note:** Do not store your pistol in an air-tight container, and do not seal or attempt to seal the barrel to exclude dust, as the internal steel surface is more likely to corrode.

#### SERVICING AND REPAIR

Should your pistol require adjustment, or repair, make sure it is NOT LOADED and take it, or send it to the nearest COLT AUTHORIZED REPAIR SERVICE STATION (a list of addresses is provided separately). For spare parts, seek advice from the Dealer who should have up to date information on how best to obtain genuine Colt parts. An illustration and list of part names are included in the next section of this instruction manual to help you identify the part you need, but it is important to note that all parts are not available for sale. Those parts which are available should

SAFETY DEPENDS ON YOU

be installed at a Colt Authorized Repair Service Station. When ordering parts, please give part name as given on the Parts List. Also give the caliber, model name, serial number and metal finish of your pistol, i.e., whether blue or nickel.

**IMPORTANT:** If you make unauthorized adjustments or use unauthorized parts, Colt will not be responsible for correct functioning of this pistol.

**Note:** Various Federal and State laws and local ordinances govern the transfer and transportation of firearms, so take the advice of the Dealer in your state on how to send or transport your firearm to a Colt Authorized Repair Service Station. Before shipping your pistol, here are some important points to remember.

#### **1. CAUTION: MAKE SURE THAT THE MAGAZINE AND PISTOL ARE NOT LOADED.**

2. Write a letter explaining the problem and your requirements in as much detail as possible. Include the model name and serial number of your pistol together with your return address, then enclose it with the pistol in a well padded package.
3. Do not send presentation boxes, accessories or ammunition.
4. A list of Colt Authorized Repair Service Stations is provided with your pistol.
5. Do not indicate the contents, or include "COLT" in the address on the package so that an inquisitive thief is not attracted to it by such information.
6. Insure the package contents against loss or theft.

SAFETY DEPENDS ON YOU

**SECTION 6****PARTS ILLUSTRATION AND LIST**

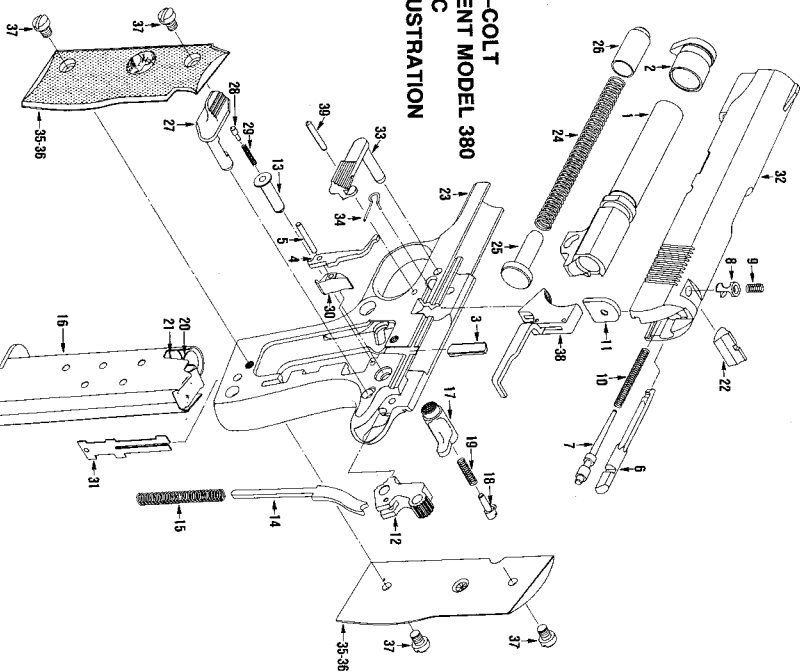
This section is provided so that you may identify names of parts for your own interest. However, for adjustment, repair, or spare parts information, see Section 5, "Servicing and Repair."

**DESCRIPTION**

- |                           |                           |
|---------------------------|---------------------------|
| 1. Barrel                 | 20. Magazine Follower     |
| 2. Barrel Bushing         | 21. Magazine Spring       |
| 3. Disconnect             | 22. Rear Sight            |
| 4. Ejector                | 23. Receiver              |
| 5. Ejector & Sear Pin     | 24. Recoil Spring         |
| 6. Extractor              | 25. Recoil Spring Guide   |
| 7. Firing Pin             | 26. Recoil Spring Plug    |
| 8. Firing Pin Lock        | 27. Safety                |
| 9. Firing Pin Lock Spring | 28. Safety Plunger        |
| 10. Firing Pin Spring     | 29. Safety Plunger Spring |
| 11. Firing Pin Stop       | 30. Sear                  |
| 12. Hammer Assy.          | 31. Sear Spring           |
| 13. Hammer Pin            | 32. Slide                 |
| 14. Hammer Strut          | 33. Slide Stop            |
| 15. Hammer Spring         | 34. Slide Stop Spring     |
| 16. Magazine Assembly     | 35. & 36. Stock Set       |
| 17. Magazine Catch        | 37. Stock Screw (4)       |
| 18. Magazine Catch Lock   | 38. Trigger Assembly      |
| 19. Magazine Catch Spring | 39. Trigger Pin           |

SAFETY DEPENDS ON YOU

**FIGURE 11-COLT  
GOVERNMENT MODEL 380  
AUTOMATIC  
PARTS ILLUSTRATION**



SAFETY DEPENDS ON YOU

**SECTION 7**

**THE CUSTOMIZED GUN**

Our Colt Custom Shop offers a wide range of special services such as engraving, inlaying and special serializing to the same high standard of quality long synonymous with the name "COLT". Sometimes modifications, which meet our customer's special requirements, necessitate deviations from standard design and manufacturing tolerances which result in functional differences from a standard gun. Consequently, this instruction manual does not apply to a customized gun unless its applicability has been confirmed by the Colt Custom Shop. For further information, write to Colt Firearms, Custom Gun Shop, P.O. Box 1868, Hartford, Connecticut 06102.

**FIREARM RECORD**

Colt Model \_\_\_\_\_

Serial No. \_\_\_\_\_

Caliber \_\_\_\_\_

Purchased from \_\_\_\_\_

Date \_\_\_\_\_

Purchased \_\_\_\_\_

Purchase \_\_\_\_\_

Price \_\_\_\_\_

SAFETY DEPENDS ON YOU

**WARRANTY STATEMENT**

Based on Magnuson-Moss Warranty Act, Colt offers no express warranty on its product line. However, Colt recognizes its obligations concerning implied warranty. Colt also stands behind its product as it has historically, and will continue to provide service to its product line as it has over the years. Colt products will be serviced for a period of one year from date of retail purchase, for defects in materials or workmanship, at no charge to the purchaser. Be sure to retain your sales slip as proof of purchase date when making a claim.

This instruction manual should always accompany this firearm and be transferred with it upon change of ownership.

If your instruction manual becomes lost or is destroyed, obtain a replacement by writing to COLT FIREARMS, P.O. BOX 1868, HARTFORD, CONNECTICUT 06102. Make a note of the address. When requesting a manual, include the information which is on the left side of your firearm together with its serial number, or quote the Part No. as shown on the back cover of this manual.

SAFETY DEPENDS ON YOU

## **SIX BASIC SAFETY RULES**

1. NEVER PLACE A ROUND IN THE CHAMBER OF THIS PISTOL UNTIL YOU ARE READY TO SHOOT.
2. ALWAYS POINT A GUN IN A SAFE DIRECTION.
3. KEEP SAFETY ENGAGED UNTIL READY TO FIRE.
4. UNLOAD IMMEDIATELY AFTER USE.
5. ALWAYS ENSURE A GUN IS NOT LOADED BEFORE CLEANING OR DISMANTLING.
6. PRACTICE HANDLING AN EMPTY GUN BEFORE ATTEMPTING TO FIRE.

### **Note**

If there is anything you do not understand in this manual, seek advice from someone qualified in the safe handling of firearms.

### **Nota**

Para cualquier aclaración de este manual, consulte con alguna persona perita en el manejo de armas de fuego.

**Part No. 94883**

Rev A JUN 84