

⚠ WARNING:

BEFORE USING THIS FIREARM, READ AND FOLLOW THESE INSTRUCTIONS.

If there is anything you do not understand, get help from someone qualified in the safe handling of firearms.



**SAFETY
AND
INSTRUCTION
MANUAL**

COLT® 22 PISTOL AND TARGET MODEL

**Copyright © 1995 Colt's Manufacturing Company, Inc. All Rights Reserved.
This instruction manual should always accompany this pistol.
When you lend, give or sell this firearm, be sure this manual goes with it.**

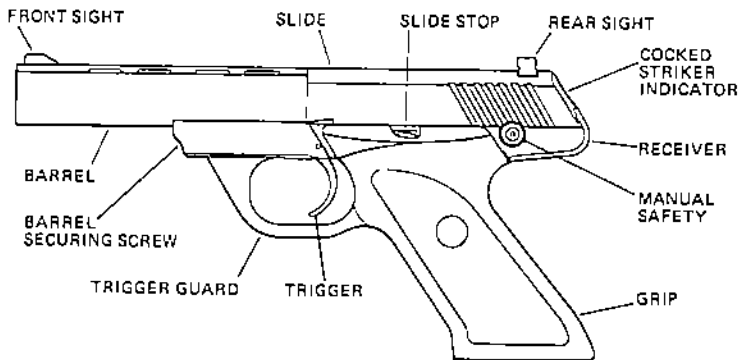


FIGURE 1. COLT® 22 PISTOL

CAUTION: ALWAYS KEEP AND CARRY YOUR PISTOL EMPTY, WITH THE STRIKER FORWARD EXCEPT WHEN YOU INTEND TO SHOOT, so that your pistol cannot be fired when you do not mean to fire it.

CAUTION: USE ONLY CLEAN, DRY, ORIGINAL HIGH QUALITY COMMERCIALY MANUFACTURED AMMUNITION IN GOOD CONDITION which is appropriate to the caliber of your pistol—see following table and Section 3 Caution 14. And never carry the pistol with a round in the chamber until ready to shoot.

BARREL	SUITABLE AMMUNITION			
CHAMBERED FOR:	22 LR	22 LONG	22 SHORT	22 MAG
22 LR	yes	no	no	no

READ AND UNDERSTAND ALL THE FOLLOWING PRECAUTIONS BEFORE REMOVING THIS FIREARM FROM ITS PACKAGE.

This Colt product is classified by the Alcohol, Tobacco and Firearms Division of the Internal Revenue Service, U.S. Treasury Department, as a firearm or dangerous weapon; it is, therefore, potentially lethal!



WARNING: IF THIS FIREARM IS CARELESSLY OR IMPROPERLY HANDLED, UNINTENTIONAL DISCHARGE COULD RESULT AND COULD CAUSE INJURY, DEATH, OR DAMAGE TO PROPERTY.



CAUTION: CAREFULLY READ THIS INSTRUCTION MANUAL WHICH GIVES BASIC ADVICE ON THE PROPER HANDLING AND FUNCTIONING OF THIS COLT FIREARM PRIOR TO LOADING AND FIRING. However, your safety and the safety of others (including your family) depends on your mature compliance with that advice, and your adoption, development and constant employment of safe practices.

If unfamiliar with firearms, seek further advice through safe handling courses run by your local gun clubs, NRA approved instructor, or similar qualified organizations.

NOTICE

Colt shall not be responsible for injury, death, or damage to property resulting from either intentional or accidental discharge of this firearm, or from its function when used for purposes or subjected to treatment for which it was not designed. Colt will not honor claims involving this firearm which result from careless or improper handling, unauthorized adjustment or parts replacement, corrosion, neglect, or the use of wrong caliber ammunition, or the use of ammunition other than original high quality commercially manufactured ammunition in good condition, or any combination thereof. Colt will not honor claims involving this firearm for any reason or cause when such claims are made by the second or subsequent owner.

IMPORTANT

Before it left the factory this firearm was tested, carefully inspected, and packaged. Colt cannot control product handling after it leaves the factory; therefore, please examine this firearm carefully at the time of purchase to insure that it is unloaded and undamaged. The dealer will be pleased to assist you in making this examination and endeavor to answer your further questions.

This instruction manual should always accompany this firearm. When you lend, give or sell this firearm, be sure this manual goes with it.

LIST OF SECTIONS

SECTION	TITLE	PAGE	SECTION	TITLE	PAGE
1	PRECAUTIONS	1		Unloading	27
2	Main Features	4		To Unload	27
3	Safety Instructions:	5		Sights	28
	Cautions	5		Firing	29
	Safety Features:	13		To Fire	30
	Trigger Guard	14	5	Maintenance:	33
	Striker System	14		Stripping for Cleaning	34
	Cocked Striker Indicator	14		Assembling after Cleaning	36
	Manual Safety	15		Checking Function	39
	Striker Retainer	16		When to Clean	40
	Disconnecter	17		How to Clean	40
4	Function:	18		Cleaning the Magazine	42
	Ammunition Selection	20		Replacing the Front Sight	44
	Loading	21		Storage	44
	To Load a Magazine	21		Servicing and Repair	45
	To Load the Pistol	23	6	Parts Illustration and List	47
	Carrying Modes	25	7	The Customized Gun	51

Colt 22 LR semi-automatic pistols combine accuracy with the pleasure of inexpensive shooting. They can be stripped down for cleaning by using nothing more than a 1/8 in. Allen wrench. Their major components are stainless steel while the grip is a composite polymer. These pistols have a number of safety features and the capability of being fired at any time there is a round in the chamber. Some of the other main features are shown here. The Colt 22 LR Pistol is illustrated throughout this manual and these illustrations apply also to the Colt 22 LR Target Model, except where differences are significant.

Pistol Type	Barrel Length	Finish	Magazine Capacity	Sights
Colt 22 LR	4½ in.	Stainless Steel with Blue Rib	10	Fixed Sight Radius 7½ in.
22 LR TARGET MODEL	6 in.	Stainless Steel with Blue Full Length Scope Mounting Rib	10	Colt Accro ^o adjustable rear. Removable blade front. sight Radius 9¼ in.

Note: These features may change, for example, with the introduction of a new feature.

We want you to enjoy shooting your Colt pistol, but we want you to enjoy it safely. You may be an experienced safe shooter already familiar with the procedures in this instruction manual, or you may never have handled a gun before. Either way we urge you to **READ THIS ENTIRE INSTRUCTION MANUAL CAREFULLY. YOU MUST FOLLOW THE SAFETY INSTRUCTIONS FOR YOUR SAFETY AND THE SAFETY OF OTHERS.**



WARNING: When you squeeze the trigger, you must expect the gun to fire, and you must take full responsibility for firing it. Your care can avoid accidental discharge, and you will thereby avoid accidental injury and death.

**CAUTIONS:****GENERAL HANDLING CAUTIONS**

1. **ALWAYS HANDLE YOUR PISTOL AS IF IT WERE LOADED** so that you never fire it accidentally when you think it is unloaded.
2. **NEVER POINT YOUR PISTOL AT ANYTHING YOU DO NOT INTEND TO SHOOT** so that if it fires accidentally, injury, death, or damage to property will be prevented.

3. NEVER TAKE ANYONE'S WORD THAT A GUN IS UNLOADED; check for yourself with fingers off the trigger and gun pointed in a safe direction, so that you never fire the gun accidentally when you think it is unloaded.

4. ALWAYS MAKE SURE YOUR PISTOL IS NOT LOADED AND SLIDE IS LATCHED OPEN BEFORE LAYING IT DOWN, OR HANDING IT TO ANOTHER PERSON, so that it cannot be fired when it is unsafe to do so.

5. ALWAYS KEEP AND CARRY YOUR PISTOL EMPTY, WITH THE STRIKER FORWARD except when you intend to shoot, so that your pistol cannot be fired when you do not mean to fire it.

6. ALWAYS BE AWARE OF POSSIBLE RISK FROM DROPPING YOUR PISTOL. Some parts of the mechanism could be damaged. You may not see the damage, but if it is severe, the pistol may discharge and cause injury, death, or damage to property. If your pistol has been dropped, have it examined by a competent gunsmith before using it again.

7. NEVER LEAVE PISTOL COCKED READY TO FIRE as this condition is extremely dangerous, and pistol could easily be accidentally discharged, causing injury, death, or damage to property.

8. NEVER LEAVE A LOADED PISTOL UNATTENDED. Someone, especially a child, may fire it and cause injury, death, or damage to property.

9. ALWAYS INSTRUCT CHILDREN TO RESPECT FIREARMS. If you teach your children to shoot, teach them or get them trained by a qualified instructor to treat and use the pistol properly, and always supervise them closely. Always stress safety so that your children will not fire the pistol when it is unsafe to do so.



RANGE CAUTIONS

10. ALWAYS BE SURE YOUR BACKSTOP IS ADEQUATE to stop and contain bullets before beginning target practice so that you do not hit anything outside the range shooting area.

11. ALWAYS PUT A KNOWLEDGEABLE AND RESPONSIBLE PERSON IN CHARGE TO MAINTAIN SAFETY CONTROL WHEN A GROUP IS FIRING ON A RANGE. Obey his commands so that discipline is maintained to reduce the likelihood of accidents.

12. ALWAYS CARRY YOUR PISTOL EMPTY WITH SLIDE LATCHED OPEN WHILE ON A RANGE until preparing to fire, keep it pointing towards the backstop when loading, firing and unloading, to eliminate the risk of injury, death, or damage to property.



LOADING CAUTIONS

13. ALWAYS BE SURE BARREL BORE, CHAMBER AND ACTION ARE CLEAN AND CLEAR OF OBSTRUCTIONS. Clean a wet or fouled pistol immediately so that it will function correctly and safely.

14. ALWAYS USE ONLY CLEAN, DRY, ORIGINAL HIGH QUALITY COMMERCIALLY MANUFACTURED AMMUNITION IN GOOD CONDITION WHICH IS APPROPRIATE TO THE CALIBER OF YOUR PISTOL. (See inside front cover.) Gun and ammunition manufacturers design their products within exacting engineering safety limits. Handloads and remanufactured ammunition are sometimes outside those limits and can be so unsafe as to blow up the chamber, slide and receiver and cause injury, death, or damage to property.



SHOOTING CAUTIONS

15. NEVER DRINK ALCOHOLIC BEVERAGES OR TAKE DRUGS BEFORE OR DURING SHOOTING, as your vision, coordination and judgment could be seriously impaired making your gun handling unsafe.

16. ALWAYS SEEK A DOCTOR'S ADVICE IF YOU ARE TAKING MEDICATION, to be sure you are fit to shoot and handle your pistol safely.

17. ALWAYS WEAR AND ENCOURAGE OTHERS TO WEAR EAR PROTECTION WHEN SHOOTING, especially on a range. Without ear protection, the noise of even one shot from your pistol, and other guns close to you, could leave a "ringing" in the ears for some time after firing. The cumulative long term effect could be permanent hearing loss.

18. ALWAYS WEAR AND ENCOURAGE OTHERS TO WEAR PROTECTIVE SHOOTING GLASSES. Flying particles could damage eyes and cause blindness; but protective shooting glasses should prevent such injury.

19. ALWAYS KEEP THE SAFETY ON WHEN PISTOL IS LOADED AND COCKED UNTIL YOU ARE READY TO FIRE. This will minimize risk of an accidental discharge.

20. ALWAYS KEEP CLEAR AND KEEP OTHERS CLEAR OF THE RIGHT SIDE OF THE SLIDE FROM WHICH CARTRIDGES ARE EJECTED. Spent cartridges are ejected with enough force to cause injury. Ejection must be unobstructed by your hand to insure safe ejection of live rounds. Never place fingers between slide and barrel, they could be burned by hot metal or injured by the slide moving forward.

21. NEVER SQUEEZE THE TRIGGER OR PUT YOUR FINGER IN THE TRIGGER GUARD UNTIL YOU ARE AIMING AT A TARGET AND READY TO SHOOT. This will prevent you from firing the pistol when it is pointing in an unsafe direction.

22. ALWAYS BE ABSOLUTELY SURE OF YOUR TARGET AND THE AREA BEHIND IT BEFORE YOU SQUEEZE THE TRIGGER. A bullet could travel through or past your target up to 1½ miles . . . if in doubt, don't shoot. *THINK!* What will you *HIT* if you *MISS* the target?

23. NEVER SHOOT AT A HARD SURFACE SUCH AS ROCK, OR A LIQUID SURFACE SUCH AS WATER. A bullet may ricochet and travel in any direction to strike you, or an object you cannot see, causing injury, death, or damage to property.

24. NEVER DISCHARGE A FIREARM NEAR FLAMMABLE MATERIAL. Flame and sparks erupt from the firearm when discharged. They could start a fire or cause flammable liquids and gases to explode.

25. NEVER FIRE YOUR PISTOL NEAR AN ANIMAL unless it is trained to accept the noise; an animal's startled reaction could injure it or cause an accident.

26. NEVER INDULGE IN "HORSEPLAY" WHILE HOLDING YOUR PISTOL as it may be accidentally discharged.

27. NEVER WALK, CLIMB OR FOLLOW A COMPANION WITH YOUR PISTOL COCKED READY TO FIRE, out of its holster, or with the striker in any position other than forward on an empty chamber, to eliminate risk of accidental discharge. Hold your pistol so that you can always control the direction of the muzzle.



MALFUNCTION CAUTIONS

28. FAILURE TO FIRE: ALWAYS HOLD THE PISTOL, KEEPING IT POINTED TOWARDS THE TARGET OR A SAFE OPEN AREA AND WAIT 30 SECONDS when the pistol fails to fire. If a hangfire (slow ignition) has occurred, round will fire within 30 seconds. If round does not fire, remove magazine, eject round and examine primer; if firing pin indent on primer is light, out of line, or non-existent, have pistol examined by a competent gunsmith before firing again. If firing pin indent on primer appears normal (in comparison with similar previously fired rounds) assume faulty ammunition; segregate misfired round from other live ammunition and empty cases, reload and carry on firing.

NOTE: Dispose of misfired rounds in accordance with ammunition manufacturer's instructions.

29. NEVER USE YOUR PISTOL IF IT FAILS TO FUNCTION PROPERLY, AND NEVER FORCE A JAMMED ACTION, as a round may explode causing serious injury, possible death, or severe damage to your pistol.



CLEANING AND STORAGE CAUTIONS

30. ALWAYS MAKE SURE YOUR PISTOL IS NOT LOADED BEFORE CLEANING, STORING, TRAVELING, LAYING IT DOWN, OR HANDING IT TO ANOTHER PERSON, so that it cannot be fired when it is unsafe to do so.

31. ALWAYS KEEP AND STORE YOUR PISTOL AND AMMUNITION IN SEPARATE LOCKED RECEPTACLES OUT OF REACH AND SIGHT OF CHILDREN AND UNTRAINED PEOPLE, to minimize the risk of revolver and ammunition being easily available for loading and firing.



GUN ABUSE CAUTIONS

32. NEVER ABUSE YOUR PISTOL by using it for any purpose other than shooting.

33. NEVER DRY FIRE THE PISTOL WHEN THE SLIDE IS REMOVED FROM THE RECEIVER, and do not alter parts as the level of safety could be reduced.

NOTE: Please note that we have chosen to use the word "SQUEEZE" in this instruction manual instead of "PULL" or "PRESS" when trigger movement is described; this is simply to remind you of the need for a gentle squeezing action to achieve accuracy.

SAFETY FEATURES

The Colt 22 pistol incorporates several positive safety devices which, if properly employed, can minimize the danger of accidental firing. These safety devices are described on the following pages.

Trigger Guard

The trigger guard is a loop around the trigger to protect it from damage and to help prevent accidental discharge.

Striker System

Because the striker can be cocked only by action of the slide, it reduces the risk of misuse associated with an exposed hammer/firing pin mechanism.

Cocked Striker Indicator

The cocked striker indicator, located at rear of slide, is a red paint-filled dimple on the back end of the striker. It shows when striker is cocked. When striker is not cocked it is too far forward to be seen. See Figure 2.

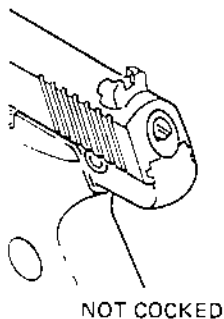
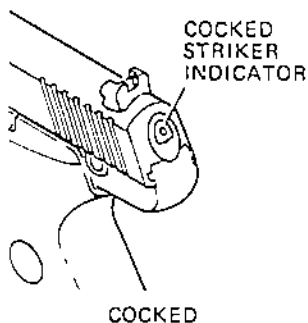


FIGURE 2. COCKED STRIKER INDICATOR

Manual Safety (Push Button)

A manual push button safety in the receiver is located just under the slide behind the grip; see Figure 3.

OFF A large button on the left side of the pistol, when pushed in, causes a smaller one on the right to stick out and show a red ring. This indicates that the safety is OFF and the pistol is ready to fire.

ON When the small button on the right is pushed in the safety is ON and the red ring can **not** be seen. When the safety is ON it prevents the sear from disengaging the striker, and it locks the slide forward.

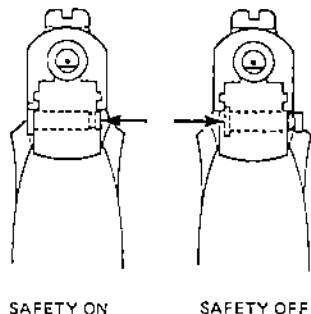
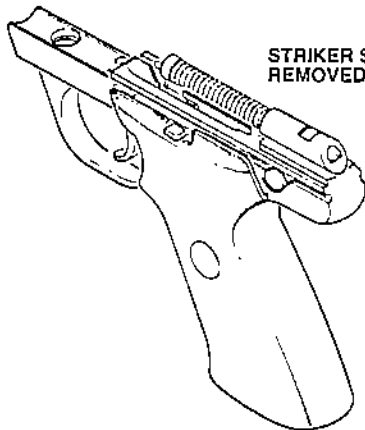


FIGURE 3. MANUAL SAFETY

Striker Retainer

This safety device prevents the striker from being released as a projectile when the slide is removed from the receiver. The slide must be in place before the striker can be released. In this way the striker is released into the slide and may then be removed with the slide.



STRIKER STAYS IN STRIKER TUBE UNTIL REMOVED WITH THE SLIDE.

FIGURE 4. STRIKER RETAINER
SAFETY DEPENDS ON YOU

Disconnecter

The trigger is linked to the sear by a drawbar; but a lug on the drawbar riding against the bottom of the slide provides the means for disconnecting the trigger from the sear until the slide is fully forward. This prevents the striker from being released until a round is fully chambered and covered by a shroud around the face of the slide.



CAUTION: NEVER ATTEMPT TO CHECK OR DEMONSTRATE THE DISCONNECT FUNCTION WITH A LOADED PISTOL. Pushing the slide back while squeezing the trigger when the pistol is loaded is extremely dangerous. It could result in accidental discharge causing injury, death, or damage to property.

IMPORTANT: These safety devices are designed and installed in this pistol to prevent accidental discharge. Of course, this Colt pistol is designed primarily to discharge bullets, and it will do this efficiently when it is loaded and you squeeze the trigger.

Always expect the gun to fire when you squeeze the trigger.

The Colt, 22 LR caliber, semi-automatic pistol is ready to fire when a loaded magazine is inserted into it, the slide pulled back to cock the striker and released to travel forward and feed a round from the magazine into the chamber. Final forward slide movement allows space over the disconnector part of the drawbar so that it can move up to link the trigger and sear. Once a round of ammunition is in the chamber of this pistol it is ready to fire, and will discharge when the trigger is squeezed even if the magazine has been removed.

When the trigger is squeezed the sear is pulled down out of engagement with the striker. The striker flies forward under the force of the striker spring to strike the primer which is in the rim of the cartridge case.

Energy imparted to the primer ignites it; the primer in turn ignites the main powder charge which, in burning, rapidly generates extremely high pressure to drive the bullet down the barrel. Rifling grooves in the barrel impart stabilizing spin to the bullet so that it will follow a more accurate path to the target when it leaves the muzzle.

Force rearward on the breach face of the slide starts it on its rearward travel. Slide travel pushes down the disconnecter lug on the drawbar to break the link between trigger and sear. Continued rearward slide travel carries the spent case out of the chamber and back until it is struck by the ejector. This propels the case away from the face of the slide and out to the right of the pistol.

Slide travel, continuing back under momentum, pushes the striker to the fully cocked position. When last round has been fired and the magazine is still in place, the stud on the magazine follower will activate the slide stop to hold slide to rear. But if a round remains in the magazine, the slide spring will propel the slide forward to feed that round into the chamber so that the pistol is again ready to fire.

The trigger must be released and squeezed again to fire each round.

Remember that once a round is in the chamber of this pistol you may fire it whether or not the magazine is in the pistol. Therefore, always assume there is a round in the chamber until you check, and follow all the safety precautions so that you always handle this pistol safely.

AMMUNITION SELECTION

Colt firearms are designed to function with a variety of brands and types of factory-manufactured ammunition in the appropriate caliber; but not all ammunition produces the same results. Colt recommends that after you read and understand the manual, you go to the range and fire different ammunition which is appropriate to the caliber of your firearm. Once you find the ammunition which functions best, keep using it. Every time before loading your pistol, examine the ammunition, particularly on and around the primer. Look for dents, scratches and other signs of damage. Do not load damaged ammunition.

LOADING



CAUTION: TO MINIMIZE RISK OF UNINTENTIONAL DISCHARGE, LOAD LIVE AMMUNITION INTO PISTOL ONLY WHEN YOU INTEND TO SHOOT, AND THEN KEEP CHAMBER EMPTY UNTIL JUST BEFORE YOU START TO SHOOT.



CAUTION: ALWAYS EXERCISE EXTREME CARE TO KEEP MUZZLE POINTING IN A SAFE DIRECTION, WELL CLEAR OF YOUR BODY, particularly when loading and unloading.

To Load a Magazine:



- 1. CAUTION: READ SAFETY INSTRUCTIONS** (Section 3).
2. Use only ammunition recommended inside front cover of this instruction manual as suitable for your pistol. **Examine the ammunition, particularly on and around the primer. Look for dents, scratches, and other signs of damage. Do not load damaged ammunition.** The primer in 22 LR cartridges is around the edge of the base.

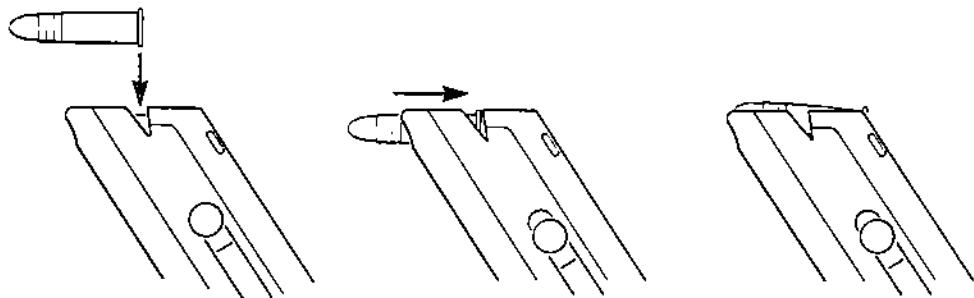


FIGURE 5. LOADING MAGAZINE

3. With open end uppermost, grasp magazine in one hand. Place a round on magazine follower with base just forward of retaining lips (see Figure 5). Press round down and back until base of round touches rear flat edge of magazine. Place next round on top of previous round and press down and back. Repeat until magazine is loaded, but do **NOT** exceed its capacity of 10 rounds. You can also pull down the magazine stud to make loading easier.

CAUTION: TO MINIMIZE RISK OF UNINTENTIONAL DISCHARGE, LOAD LIVE AMMUNITION INTO PISTOL ONLY WHEN YOU ARE ABOUT TO SHOOT.

To Load The Pistol:

1. **CAUTION:** READ SAFETY INSTRUCTIONS (Section 3) — KEEP PISTOL POINTING IN SAFE DIRECTION AND DO NOT TOUCH THE TRIGGER.

2. Remove empty magazine from pistol. Place hand under magazine to prevent it from falling. Press magazine catch to drop magazine out of the magazine well of the pistol. Note that magazine catch is on right side of pistol just above trigger . . . see Figure 6.

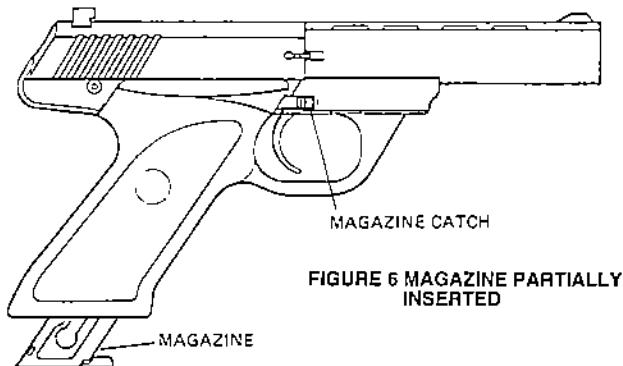


FIGURE 6 MAGAZINE PARTIALLY INSERTED

SAFETY DEPENDS ON YOU

3. Hold pistol by its grip with one hand. Keeping other hand clear of the chamber area, grasp serrated finger grips on sides of slide. Pull slide back slightly and LOOK IN CHAMBER TO ENSURE IT IS EMPTY. Allow slide to return forward . . . see Figure 7. (If slide was fully to rear, after ensuring chamber is empty, press down on slide stop to release slide. Keeping empty pistol pointed in a safe direction squeeze trigger to release the cocked striker.)

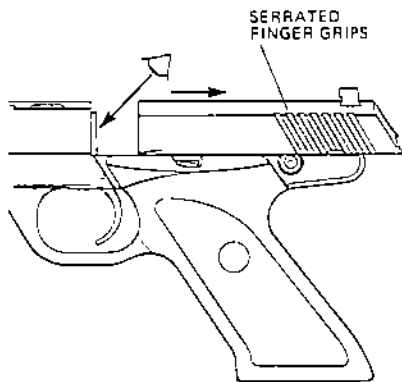


FIGURE 7. LOOKING IN CHAMBER TO ENSURE IT IS EMPTY

4. Insert loaded magazine into magazine well with bullets pointing forward. Push magazine fully "home" until magazine catch is heard to "click" locking it in place.

IMPORTANT: Do not strike base of magazine to drive it home—just push it firmly into pistol. Otherwise, you could damage the magazine and injure your hand.

5. When you are ready to shoot, grip the slide as described in Step 3 and pull it fully rearward to cock the striker. Release slide to feed a round from the magazine into the chamber. THE PISTOL IS NOW LOADED, COCKED AND READY TO FIRE.

6. Apply manual safety by pushing it IN from the RIGHT. This will prevent sear from disengaging the striker if trigger is moved, and will lock the slide in the forward position. Remember, this condition is suitable for carrying the pistol only when you are about to fire.



CAUTION: NEVER LEAVE PISTOL COCKED AND READY TO FIRE (as in Step 5) as this condition is extremely dangerous; pistol could easily be accidentally discharged, causing injury, death or damage to property.

CARRYING MODES

NOTE: This pistol may be carried in any one of the following three modes according to your needs:

- Mode 1: — MAGAZINE EMPTY, CHAMBER EMPTY, STRIKER UNCOCKED.
- Pistol cannot be discharged.
 - Use Mode 1 for storage, transporting, cleaning, repair, demonstrating and dry practice.
- Mode 2: — MAGAZINE LOADED, CHAMBER EMPTY, STRIKER UNCOCKED, SAFETY ON.
- Pistol cannot be fired until manual safety is off, slide is cycled, and trigger is squeezed.
 - Use Mode 2 when CARRYING THE PISTOL READY FOR USE.
- Mode 3: — MAGAZINE LOADED, CHAMBER LOADED, STRIKER COCKED, SAFETY ON.
- Pistol can be fired when manual safety is off and trigger is squeezed.
 - Use Mode 3 when you MUST BE PREPARED to use the pistol IMMEDIATELY without warning.



WARNING: When you squeeze the trigger, you must expect the gun to fire, and you must take full responsibility for firing it. Your care can avoid accidental discharge, and you will thereby avoid accidental injury and death.

UNLOADING



CAUTION: ALWAYS UNLOAD YOUR PISTOL IMMEDIATELY AFTER USE AND BEFORE CLEANING AND STORAGE to minimize the risk of accidental discharge.



CAUTION: ALWAYS EXERCISE EXTREME CARE TO KEEP MUZZLE POINTING IN A SAFE DIRECTION, WELL CLEAR OF YOUR BODY, particularly when loading and unloading.

To Unload:

1. Be sure you are familiar with Safety Instructions in Section 3. **Keep pistol pointing in a safe direction, do not touch trigger and always keep hands away from muzzle and area between slide and barrel where cartridges are ejected.**
 2. Place hand under magazine to prevent it from falling and press magazine catch to release and eject magazine.
- NOTE:** If slide is fully rearward, Step 3 does not apply.
3. Using serrated finger grips pull slide sharply rearward to extract and eject a round from the chamber. Keep your hands clear to allow round to eject without obstruction. Examine previously chambered round for dents or other damage; if damaged, dispose of it as explained in Paragraph 7.

SAFETY DEPENDS ON YOU



4. **CAUTION: KEEP PISTOL POINTING IN A SAFE DIRECTION WHILE YOU LOOK IN THE CHAMBER TO ENSURE IT IS EMPTY AND SEE THAT MAGAZINE HAS BEEN REMOVED.**

5. Keep pistol pointing in a safe direction. Allow slide to return forward on empty chamber and squeeze the trigger to allow striker to fly forward. *If slide is held to the rear by the slide stop, push down on slide stop to release the slide. Then squeeze trigger to release striker from its cocked position in the empty pistol.*

6. Remove remaining live rounds by sliding them forward out of the magazine.

7. Collect undamaged live ammunition for safe storage and future use. Collect spent cartridge cases for disposal. **Segregate misfired and damaged live ammunition for disposal according to ammunition manufacturer's instructions.**

SIGHTS

The 22 Target Model pistol is equipped with a fully adjustable Colt Accro[®] rear sight. This and the front sight are housed in the full length scope sight mounting rib which keeps consistent alignment between them. The rib also provides for installation of a variety of telescope sights and scope mounts.

Colt Accro - Figure 8

With a target at 50 yards, adjusting the windage screw one click to the right (clockwise) will move the sight to the LEFT and the point of bullet impact 1 inch to the LEFT. One click of the elevation screw to the right (clockwise) will move the sight DOWN and point of bullet impact 3/4 inch DOWN.

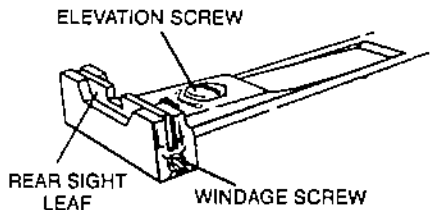


FIGURE 8—
COLT ACCRO REAR SIGHT

FIRING

Before firing your Colt pistol, practice handling it empty. Hold it comfortably by the grip and practice your stance, aim, rhythm, breathing and trigger pull until you can hold a steady aim throughout the exercise without flinching.

Then practice firing your pistol on a supervised range before using your pistol for any other type of shooting.



CAUTIONS:

1. ALWAYS WEAR AND ENCOURAGE OTHERS TO WEAR EAR PROTECTION WHEN SHOOTING, especially on a range. Without protec-

tion, the noise of just one round from your pistol, and other guns close to you, could leave a "ringing" in your ears for some time after firing. The cumulative long term effect could be permanent hearing loss.

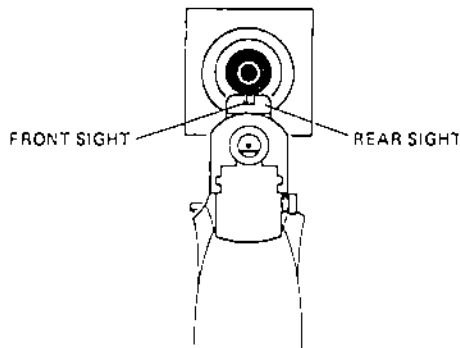
2. ALWAYS WEAR AND ENCOURAGE OTHERS TO WEAR PROTECTIVE SHOOTING GLASSES. Flying particles could damage eyes and cause blindness; but protective shooting glasses should prevent such injury.

To Fire:

! 1. **CAUTION:** READ SAFETY INSTRUCTIONS (Section 3)—KEEP PISTOL POINTING IN SAFE DIRECTION AND DO NOT TOUCH TRIGGER.

2. Load pistol as previously described
3. Grasp pistol by its grip and, with index finger resting along the outside of trigger guard, take aim. Aim by aligning target with front and rear sights. (See Figure 9). Now **THINK!** What will I **HIT** if I **MISS** the target? Don't shoot unless it's safe to do so.

4. Push manual safety **OFF** by pushing it **IN** from the **LEFT** side of the pistol.



This unlocks the slide and releases the sear plunger to allow trigger movement when it is squeezed.

5. Keep steady aim. Focus on front sight. Place index finger on trigger and squeeze gently until striker flies forward to fire the pistol. Don't jerk the trigger as you will disturb your aim and spoil your accuracy. *To fire the second and subsequent rounds all that is necessary is to release the trigger and squeeze it again after every shot until you have finished firing.*

6. THIS IS A SEMI-AUTOMATIC PISTOL AND IS IMMEDIATELY LOADED AND COCKED READY TO FIRE AGAIN AFTER EACH SHOT UNTIL THE MAGAZINE IS EMPTY.

Note: This pistol can be fired without a magazine in place.


7. Release trigger and remove index finger from trigger. Put the Manual Safety **ON** by pushing it **IN** from the **RIGHT** to the left. *However, if you have fired the last round from the magazine the slide will stay to the rear and you will be unable to put the Manual Safety on until the slide is forward.*




CAUTION: IF PISTOL FAILS TO FIRE, HOLD IT, KEEPING IT POINTED TOWARD THE TARGET OR SAFE OPEN AREA AND WAIT 30 SECONDS. If a hangfire (slow ignition) has occurred, round will fire within 30 seconds. If round does not fire, remove magazine, eject round and examine primer. If firing pin indent on primer is light, out of line or non-existent,

have pistol examined by a competent gunsmith before firing again. If firing pin indent on primer appears normal (in comparison with similar previously fired rounds) assume faulty ammunition; segregate misfired round from other live ammunition and empty cases; reload and carry on firing. (Remember, primer is in rim of base on 22LR cartridge).

Note: Dispose of misfired rounds in accordance with the ammunition manufacturer's instructions.

-  8. **CAUTION: KEEP YOUR PISTOL POINTING IN A SAFE DIRECTION.** Unload as previously described.

IMPORTANT: If you cock your pistol but do not fire it, push manual safety **ON** by pushing it **IN** from the **RIGHT** side of the pistol, and keep safety **ON** until ready to fire. If you lose the opportunity to fire, **UNLOAD** your pistol as previously described. Remember, if a round remains in the chamber there is a risk of accidental discharge.

-  **CAUTION: NEVER LEAVE PISTOL COCKED READY TO FIRE** as the fire condition is extremely dangerous, and pistol could easily be accidentally discharged causing injury, death, or damage to property.

Like any other other precision mechanism, your pistol will function better, last longer and remain safer when it is properly maintained. Follow the advice in this section to keep your pistol in peak condition. Keep your pistol clean and properly lubricated to prolong its reliable life.

**CAUTIONS:**

1. **ENSURE THAT MAGAZINE IS REMOVED AND THE PISTOL IS NOT LOADED BEFORE STRIPPING AND CLEANING**, so that pistol will not fire.
2. **WEAR SAFETY GLASSES** in case you lose control of some spring loaded component which could injure your eyes.
3. **NEVER SQUEEZE THE TRIGGER WHEN THE SLIDE IS REMOVED FROM THE RECEIVER**, and do not alter parts as the level of safety could be reduced.

NOTE: Force is unnecessary and should never be used to strip or assemble your pistol.

STRIPPING FOR CLEANING

Be sure you are familiar with the Safety Instructions in Section 3. **MAKE SURE PISTOL IS UNLOADED.**

1. Ensure magazine is removed, then pull slide back and look in chamber to see that the pistol is NOT loaded. Allow slide to go fully forward. *If necessary, push down on slide stop to release the slide from its fully open position.*
2. With Safety OFF, point the empty pistol in a safe direction and squeeze the trigger. *This will release the striker from its cocked position and allow it to be removed as the slide is removed.*
3. Using 1/8 in. Allen wrench, turn barrel securing screw counter-clockwise until it is clear of the barrel lug; then remove it completely . . . see Figures 10 & 11. *The barrel securing screw is located in the front of the receiver. It is therefore important to keep the muzzle pointing in a safe direction away from you as you loosen the screw.*

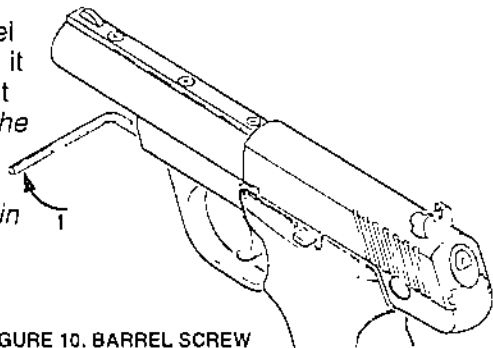


FIGURE 10. BARREL SCREW

SAFETY DEPENDS ON YOU

4. Hold slide firmly and pull it back about 1/4 inch then lift and remove barrel from the receiver . . . see Figure 11.

5. While still holding the slide, allow it to move forward along the guide rails and off the receiver . . . see Figure 12.

6. Remove slide spring from rear of slide.

7. Separate striker and striker spring, which should have come off with the slide. *If the striker did not come off with the slide, push the slide back onto the receiver until it is flush with the back of the receiver. Hold slide in that position and squeeze the trigger. Remove slide from receiver; remove and separate striker and spring.*

The pistol is now ready for cleaning.

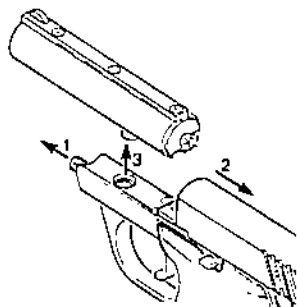


FIGURE 11. BARREL REMOVAL

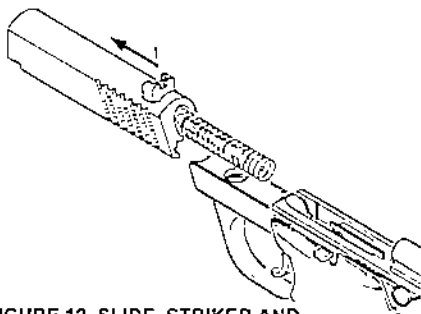


FIGURE 12. SLIDE, STRIKER AND SPRINGS REMOVAL

SAFETY DEPENDS ON YOU

IMPORTANT: Do not strip your pistol further than previously described. Do not remove, adjust or alter parts, particularly safety parts. **Do not adjust trigger screws, they are preset and sealed at the factory.** If additional maintenance is required, see "Service and Repair" later in this instruction manual.

ASSEMBLING AFTER CLEANING

Assemble in reverse order as described below.

1. Assemble striker spring over stem of the striker . . . see Figure 13.
2. With flat surface of striker down, assemble striker to striker tube. Push it in against the force of the springs until sear engages and holds striker in place.
3. Assemble slide spring to slide making sure coils of slide spring are opposite direction to coils of striker spring, already installed . . . see Figure 14.

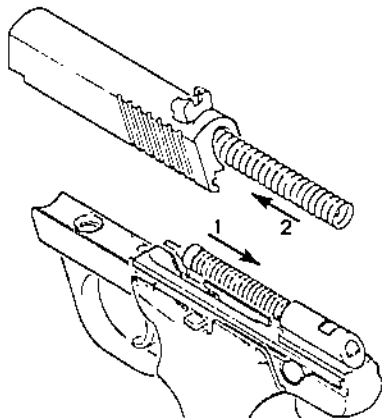
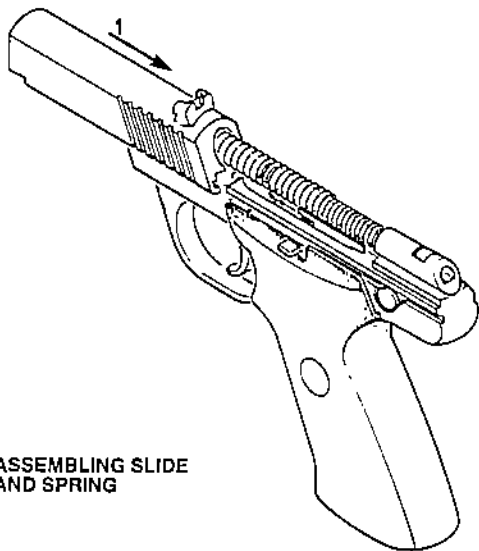


FIGURE 13. ASSEMBLING STRIKER AND SPRING



**FIGURE 14. ASSEMBLING SLIDE
AND SPRING**

4. Push slide on rails of receiver. Push slide rearward while feeding slide spring over striker and striker spring.

SAFETY DEPENDS ON YOU

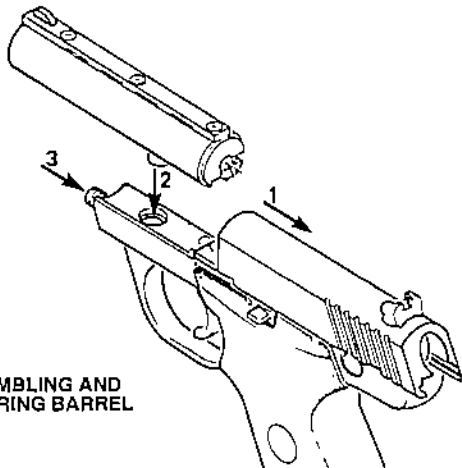


FIGURE 15. ASSEMBLING AND SECURING BARREL

5. Hold slide rearward about $\frac{1}{4}$ inch. Make sure barrel is empty and locate its mounting lug through hole in receiver . . . see Figure 15.
6. Make sure barrel is correctly aligned with receiver so that feed ramps are matched. Insert barrel screw through front of receiver into the barrel lug. Using $\frac{1}{8}$ in. Allen wrench turn screw clockwise until it has passed all the way

through the barrel lug and tighten it firmly. Once barrel screw is tight the barrel should not be able to move.

CHECKING FUNCTION (Do this after assembling your pistol.)

1. With magazine out, exercise the mechanism of an **empty** pistol by pulling the slide back and releasing it. Point **empty** pistol in a safe direction and squeeze the trigger. As the striker flies forward you should hear it strike the front of the slide.

2. Insert an **empty** magazine and pull the slide back again. When you release the slide this time it should stay to the rear, being held by the slide lock. Now push the slide lock down and slide should slam forward.

3. Check the Safety.

Safety ON. Push button in on right side of pistol and try to pull the slide rearward; it should **not** move. Point empty pistol in a safe direction and squeeze the trigger; striker should **not** be released.

Safety OFF. Push button in on left side. See that the right button sticks out and red ring is visible. Now point empty pistol in a safe direction and squeeze the trigger. As the striker flies forward you should hear it strike the front of the slide.

WHEN TO CLEAN

You should clean your pistol as soon after firing as possible so that the job will be easier and there will be less opportunity for corrosion to start. When your pistol has not been fired, clean it periodically; we suggest once or twice a year in a temperate climate, or as often as once a month in a tropical climate. If you carry a loaded pistol, UNLOAD it and clean it at least once a month. If you get your pistol wet, clean it as soon as possible.

HOW TO CLEAN

The following cleaning procedure may be used both periodically and after firing; however, those items marked "*" are unnecessary for periodic cleaning.

Materials: Cleaning rod, cotton flannel patches (cut to fit snugly into the bore), a small toothbrush, good quality light gun oil, *gun cleaning solution, *a brass wire bristle bore cleaning brush.

Note: In freezing conditions (below 32°F or 0°C) avoid the use of oil for lubrication; instead, apply a dry lubricant sparingly.

-  **Procedure:**
1. **CAUTION: ENSURE THAT THE PISTOL IS NOT LOADED.**

2. Strip for cleaning as previously described.

Note: Avoid contact between cleaning rod and muzzle as resultant wear will reduce accuracy.

3. Attach cotton flannel patch to end of cleaning rod, insert it in breech and pass rod and patch down through barrel. Repeat, changing patches until last patch comes out clean.

4. Visually inspect barrel; if it is clean, proceed directly with Step 7, but if it remains dirty, continue with Step 5.

5. ***(NOTE: This item should be applicable only after firing.)** Attach brass wire bristle brush to cleaning rod and dip brush in gun cleaning solution. Thoroughly scrub out barrel, passing the brush all the way through before reversing the movement. If you try to change direction with brush in barrel, the brush will stick.

6. Repeat Steps 3 and 4 above.

7. Clean rear face of barrel and face of slide, using a small toothbrush.

8. Lightly moisten a flannel patch with gun oil and pass it once through barrel, leaving a thin film of oil on the inside surface. Leave this film of oil on the inside surface if pistol is to be stored. If it is not to be stored, or if it is being

removed from storage for use, pass a dry patch through barrel to remove as much oil as possible.

9. Check that flannel or brush bristles have not become lodged in any part of pistol, then wipe all external surfaces except the grip with a flannel patch lightly moistened with gun oil. (See note on cold weather lubrication.)

10. Reassemble pistol as previously described.

11. Again wipe all external surfaces except the grip with oil moistened patch to remove any finger prints. (Finger moisture, if left, could start a corrosion process.) (See note on cold weather lubrication.)

12. Remove any gun cleaning solution and oil from the grip.

CLEANING THE MAGAZINE

REMOVE ALL AMMUNITION FROM THE MAGAZINE

It is advisable to clean the magazine(s) whenever the pistol is cleaned. To do so, it is not always necessary to strip the magazine into parts. Just swish it around in cleaning fluid then clean all of it with an old tooth brush or something similar. Take care to remove carbon deposits from the lips of the magazine and magazine follower. Wipe all parts of magazine with lightly oiled cloth. Finally, push magazine follower down and up a few times to ensure it moves freely.

Should it be necessary to strip the magazine, locate the small plunger in the base plate; push plunger in and slide base plate forward off the magazine. The magazine spring will extend out of the base of the magazine and can be removed. Be careful to control the spring as you remove the base plate to prevent it from flying out on its own. See Figure 16. Do not remove the magazine follower.

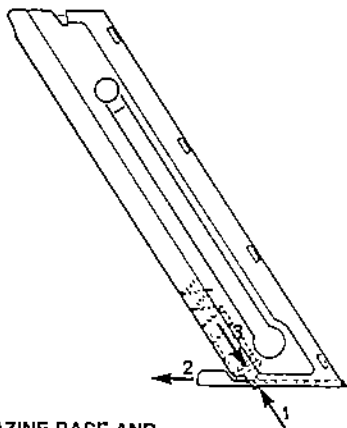


FIGURE 16. MAGAZINE BASE AND SPRING REMOVAL

SAFETY DEPENDS ON YOU

REPLACING THE FRONT SIGHT

While the front sight is removable, we foresee few occasions when its removal would be necessary. However when it is necessary, first make sure the pistol is unloaded.

Use a $1/16$ inch Allen wrench to remove the front sight set screw from the right side of the scope mounting rib, see Figure 17. Lift out the front sight and assemble the new one making sure the countersunk part of the hole in it is on the right. Use the same set screw to secure the new sight; but after using the set screw 4 or 5 times get a new one. Tighten the set screw securely using the $1/16$ inch Allen wrench.

After installing a new front sight you should check the accuracy of your pistol and adjust the rear sight accordingly. From time to time you should also check that the set screw and front sight are secure.

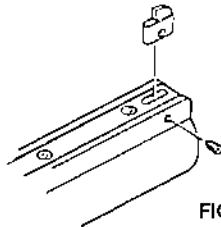


FIGURE 17. FRONT SIGHT REMOVAL.



STORAGE

CAUTION: ALWAYS UNLOAD YOUR PISTOL FOR STORAGE AND STORE AMMUNITION SEPARATELY. Keep and store your pistol and ammunition securely locked in separate locations out of reach and sight of children. (Children are naturally curious and do not always believe the real danger of guns).

NOTE: Remove your pistol from its holster at the end of the day. Do not store your pistol in an air-tight container, and do not seal or attempt to seal the barrel to exclude dust, as the internal steel surface is more likely to corrode. Use the Colt packaging case, with a padlock to carry and store your EMPTY pistol.

SERVICING AND REPAIR

Should your pistol require adjustment or repair, make sure it is NOT LOADED and send it to Colt's. For spare parts, seek advice from the Dealer who should have up to date information on how best to obtain genuine Colt parts.

An illustration and list of part names are included in the next section of this instruction manual to help you identify the part you need, but it is important to note that all parts are not available for sale. Those parts which are available

should be installed by Colt's or by a competent gunsmith. When ordering parts, please give part name as given on the Parts List. Also give the caliber, model name, serial number and metal finish of your pistol, i.e. whether blue or nickel.

IMPORTANT: If you make unauthorized adjustments or use unauthorized parts, Colt will not assume responsibility for the functioning of this pistol.

THIS GUN IS MANUFACTURED TO PERFORM PROPERLY WITH THE ORIGINAL PARTS AS DESIGNED. IT IS YOUR DUTY TO MAKE SURE ANY PARTS YOU BUY ARE INSTALLED CORRECTLY AND THAT NEITHER REPLACEMENTS NOR ORIGINALS ARE ALTERED OR CHANGED. This is why we say return it to Colt's. YOUR GUN IS A COMPLEX TOOL WITH MANY PARTS THAT MUST RELATE CORRECTLY TO OTHER PARTS. PUTTING A GUN TOGETHER WRONG OR WITH MODIFIED PARTS CAN RESULT IN A DAMAGED GUN, DANGER, AND INJURY OR DEATH TO YOU AND OTHERS THROUGH MALFUNCTION. ALWAYS LET A QUALIFIED GUNSMITH WORK ON YOUR GUN AND CHECK ANY WORK YOU THINK WAS NOT PERFORMED BY A GUNSMITH. We at Colt think this is a small price to pay for firearms safety.

NOTE: Various Federal and State laws and local ordinances govern the transfer and transportation of firearms, so take the advice of the Dealer in your state on how to send your firearm to Colt's. Before shipping your pistol, here are some important points to remember:



1. CAUTION: MAKE SURE THAT THE MAGAZINE AND PISTOL ARE NOT LOADED.

2. Write a letter explaining the problem and your requirements in as much detail as possible. Include the model name and serial number of your pistol together with your return address, then enclose it with the empty pistol in the Colt packaging case or a well padded package.

3. Do not send presentation boxes, accessories or ammunition.

4. Colt's address for receiving packages is: CMCI
Talcott Road
West Hartford, CT 06110

5. Do not indicate the contents, or include "COLT" in the address on the package so that an inquisitive thief is not attracted to it by such information.

6. Insure the package contents against loss or theft.

7. **DO NOT** ship your pistol if you cannot read its serial number. Federal law requires that serial numbers be legible for transfer to be legal. To find your serial number, look on the right side of the receiver just above the trigger guard.

This section is provided so that you may identify names of parts for your own interest. However, for adjustment, repair, or spare parts information, see Section 5—"Servicing and Repair."

DESCRIPTION—See Figure 18.

- | | | |
|---------------------------------|----------------------------------|---------------------------------------|
| 1. Barrel | 16. Plunger, sear | 31. Pin, magazine catch |
| 2. Front sight and rib assembly | 17. Spring, safety detent | 32. Screw, barrel |
| 3. Screws, rib (3) | 18. Detent, safety | 33. Plunger, striker retention |
| 4. Slide | 19. Pin, sear | 34. Spring, striker retention plunger |
| 5. Rear sight | 20. Safety, cross bolt (No. 1-9) | 35. Grip |
| 6. Extractor | 21. Trigger | 36. Screw, grip |
| 7. Plunger, extractor | 22. Pin, trigger | 37. Magazine |
| 8. Spring, extractor | 23. Drawbar assembly | 38. Plunger, magazine spring |
| 9. Spring, slide | 24. Spring, trigger | 39. Spring, magazine |
| 10. Striker | 25. Slidestop | 40. Base, magazine |
| 11. Spring, striker | 26. Spring, slidestop | 41. Follower, magazine |
| 12. Sleeve, striker | 27. Ejector | 42. Stud, magazine follower |
| 13. Screw, sleeve | 28. Pin, ejector | 43. Screw, trigger |
| 14. Receiver | 29. Magazine catch | 44. Screw, rear sight |
| 15. Sear | 30. Spring, magazine catch | |

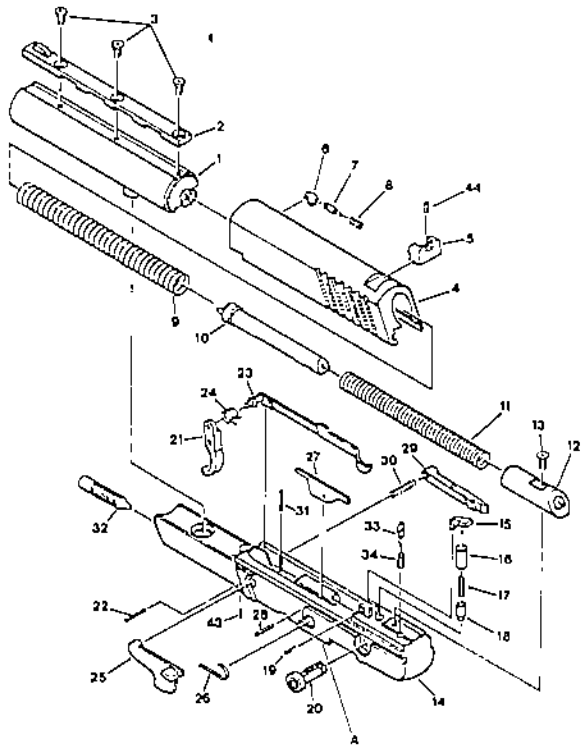
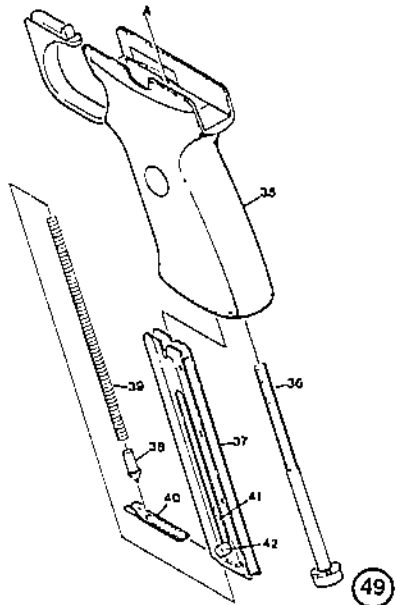


FIGURE 18. COLT® 22
PARTS ILLUSTRATION



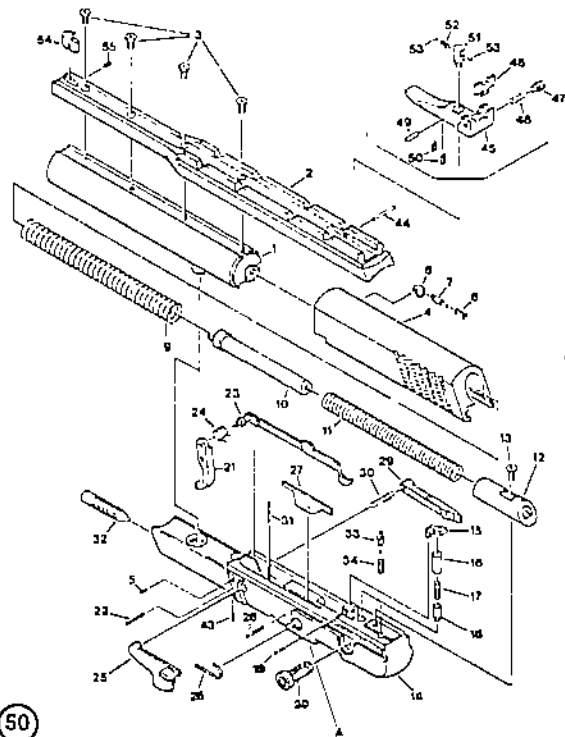
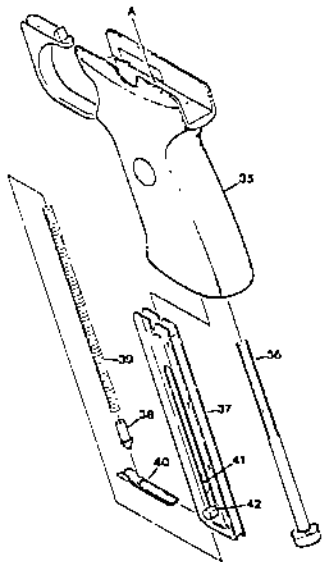


FIGURE 19. COLT® 22 TARGET MODEL PARTS ILLUSTRATION



DESCRIPTION—See Figure 19.

- | | | |
|----------------------------|---------------------------------------|--|
| 1. Barrel | 20. Safety, cross bolt (No. 1-9) | 39. Spring, magazine |
| 2. Vented Scope Mount | 21. Trigger | 40. Base, magazine |
| 3. Screws, rib (4) | 22. Pin, trigger | 41. Follower, magazine |
| 4. Slide | 23. Drawbar assembly | 42. Stud, magazine follower |
| 5. Screw, trigger (sealed) | 24. Spring, trigger | 43. Screw, trigger, overtravel (sealed) |
| 6. Extractor | 25. Slidestop | 44. Pin, rear sight |
| 7. Plunger, extractor | 26. Spring, slidestop | 45. Blade, rear sight |
| 8. Spring, extractor | 27. Ejector | 46. Leaf, rear sight |
| 9. Spring, slide | 28. Pin, ejector | 47. Windage Screw, rear sight |
| 10. Striker | 29. Magazine catch | 48. Windage Spring, rear sight |
| 11. Spring, striker | 30. Spring, magazine catch | 49. Pin, elevation screw, rear sight |
| 12. Sleeve, striker | 31. Pin, magazine catch | 50. Springs, elevation screw, rear sight (2) |
| 13. Screw, sleeve | 32. Screw, barrel | 51. Elevation Screw, rear sight |
| 14. Receiver | 33. Plunger, striker retention | 52. Spring, detent, rear sight |
| 15. Sear | 34. Spring, striker retention plunger | 53. Balls, rear sight detent (2) |
| 16. Plunger, sear | 35. Grip | 54. Front Sight |
| 17. Spring, safety detent | 36. Screw, grip | 55. Screw, front sight |
| 18. Detent, safety | 37. Magazine | |
| 19. Pin, sear | 38. Plunger, magazine spring | |

Our Colt Custom Shop offers a wide range of special services such as engraving, inlaying and special serializing to the same high standard of quality long synonymous with the name "COLT." Sometimes modifications, which meet our customer's special requirements, necessitate deviations from standard design and manufacturing tolerances which result in functional differences from a standard gun. Consequently, this instruction manual does not apply to a customized gun unless its applicability has been confirmed by the Colt Custom Shop. For further information, write to Colt Custom Shop, P.O. Box 1868, Hartford, Connecticut 06144-1868, USA.

FIREARM RECORD

Colt Model _____

Serial No. _____

Caliber _____

Purchased
from _____

Date
Purchased _____

Purchase
Price _____

WARRANTY STATEMENT

Based on Magnuson-Moss Warranty Act, Colt offers no express warranty on its product line. However, Colt recognizes its obligations concerning implied warranty. Colt also stands behind its products as it has historically and will continue to provide services to its product line as it has over the years. Colt products will be serviced for a period of one year from the date of retail purchase, for defects in materials or workmanship, at no charge to the purchaser. Be sure to retain your sales slip as proof of purchase date when making a claim.



HEALTH AND ENVIRONMENTAL WARNING

Discharging firearms in poorly ventilated areas, cleaning firearms, or handling ammunition may result in exposure to lead and other substances known to cause birth defects, reproductive harm, cancer, and other serious physical injury. Have adequate ventilation at all times. Wash hands thoroughly after exposure.

NOTES

SAFETY DEPENDS ON YOU



, the Rampant Colt figure, and all other Colt trademarks are the exclusive property of Colt's Manufacturing Company, Inc. For permission to reprint for noncommercial instructional purposes, prior approval from Colt's is required.

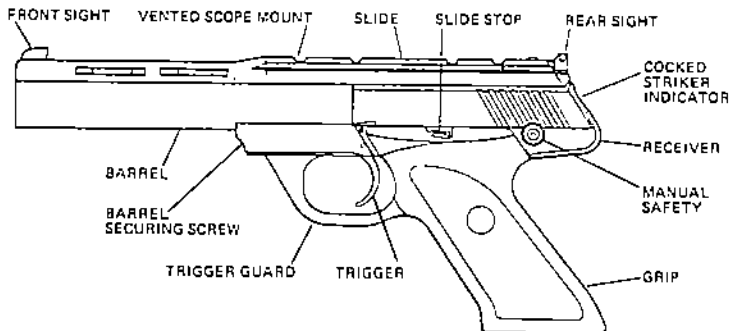


FIGURE 20 COLT® 22 TARGET MODEL

If your instruction manual becomes lost or destroyed, obtain a replacement by writing to **Colt's Manufacturing Company, Inc., Box 1868, Hartford, Connecticut 06144-1868, USA** or call **1-800-962-COLT**. Make a note of the address. When requesting a manual, include the information which is on the left side of your firearm together with its serial number or quote the Part No. as shown on the back cover of this manual.

This instruction manual should always accompany this firearm. When you lend, give or sell this firearm, be sure this manual goes with it.



Avvertimento Italiano

Se c'è qualcosa che non riuscite a capire, rivolgetevi a qualcuno che sia qualificato nel maneggiare in maniera sicura le armi da fuoco.

Advertencia en Español

Para cualquier aclaración de esta manual, consulte con alguna persona perita en el manejo seguro de armas de fuego.

Message Seculaire en Francais

Pour tous renseignements complementaires, veuillez consulter un armurier qualifie dans le maniemment de cesarmes.

Deutsche Sicherheitschhinweise

Sollten Sie noch weitere Fragen haben, wenden Sie sich bitte an einen Waffenspezialisten.

FUNDAMENTAL NRA RULES FOR SAFE GUN HANDLING

- 1. ALWAYS KEEP THE GUN POINTED IN A SAFE DIRECTION.**
- 2. ALWAYS KEEP YOUR FINGERS OFF THE TRIGGER UNTIL READY TO SHOOT.**
- 3. ALWAYS KEEP THE GUN UNLOADED UNTIL READY TO USE.**