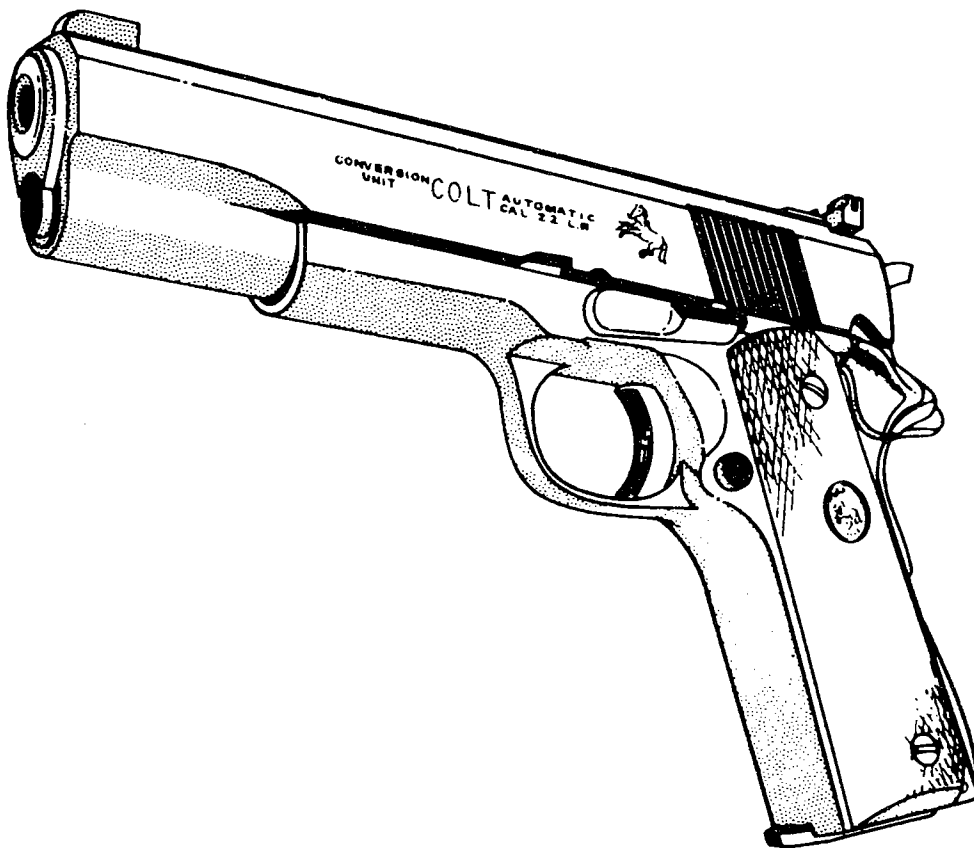




MAINTENANCE AND USE OF THE COLT 22 CAL. CONVERSION UNIT FOR COLT SEMI-AUTOMATIC PISTOLS

© 1980 Colt Industries Operating Corp

These instructions and the accompanying pistol instruction manual should always accompany this conversion unit and be transferred with it upon change of ownership.



The Colt 22 cal. Conversion Unit can be installed on the receivers of those Colt Government Model and Gold Cup National Match semi-automatic pistols which are chambered for 45 ACP and 38 Super Auto ammunition. It is important that the first conversion be made professionally, but after that you may convert your pistol from 22 cal. to its original caliber and back again whenever you wish by following the instructions in this pamphlet and the accompanying Government Model manual.

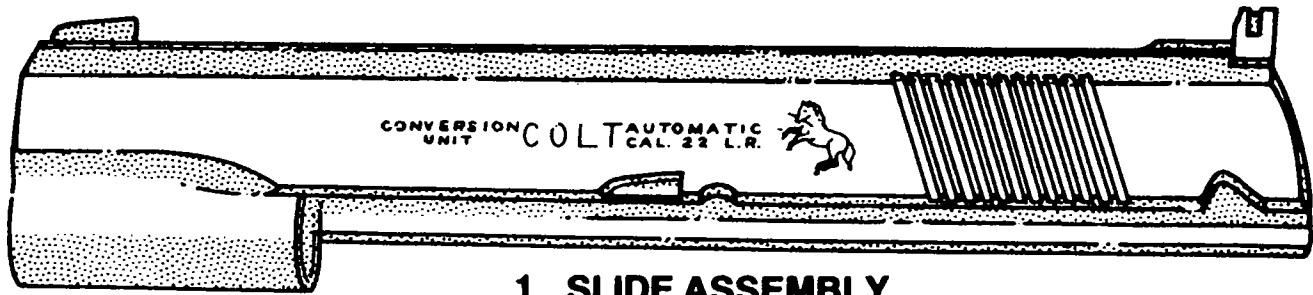
The unit is designed for economical shooting practice by using 22 Long Rifle (LR) ammunition while maintaining the size, shape, balance and feel, and simulating the recoil of the larger pistols. A floating chamber provides the simulation of the heavier recoil while assuring positive semi-automatic action from the lower impulse of 22 LR cartridges.

Shooters who practice with the converted pistol will master the fundamentals of target practice at a lower cost and without developing the habits of flinching and fighting-the-recoil that might be acquired by beginners attempting to learn with heavier caliber ammunition.

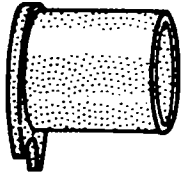
COMPONENTS OF THE UNIT

This 22 cal. Conversion Unit provides a barrel with floating chamber, a barrel bushing, a 10 round magazine, special slide stop (stamped 2), ejector, shorter recoil spring and a slide. The slide comes with a rimfire firing pin assembly and either a fixed or Accro adjustable rear sight already installed.

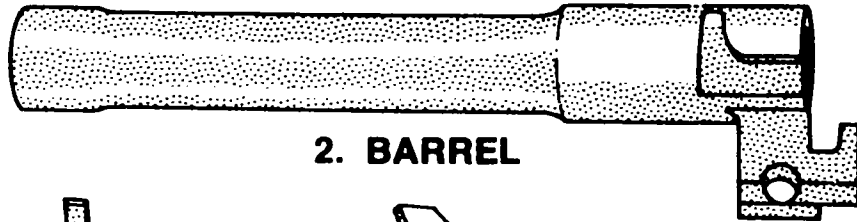
No additional components are needed to make the conversion.



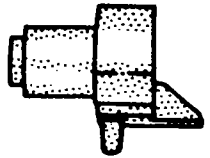
1. SLIDE ASSEMBLY



4. BUSHING



2. BARREL



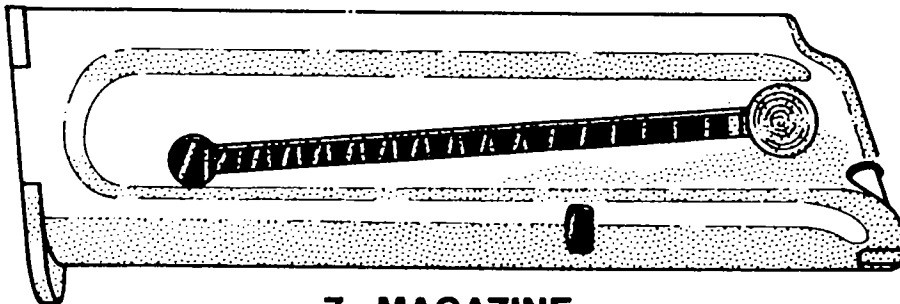
3. FLOATING CHAMBER



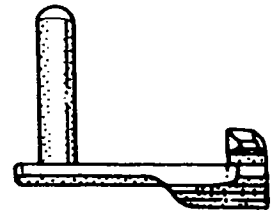
5. EJECTOR



6. RECOIL SPRING



7. MAGAZINE



8. SLIDE STOP

SAFETY PRECAUTIONS

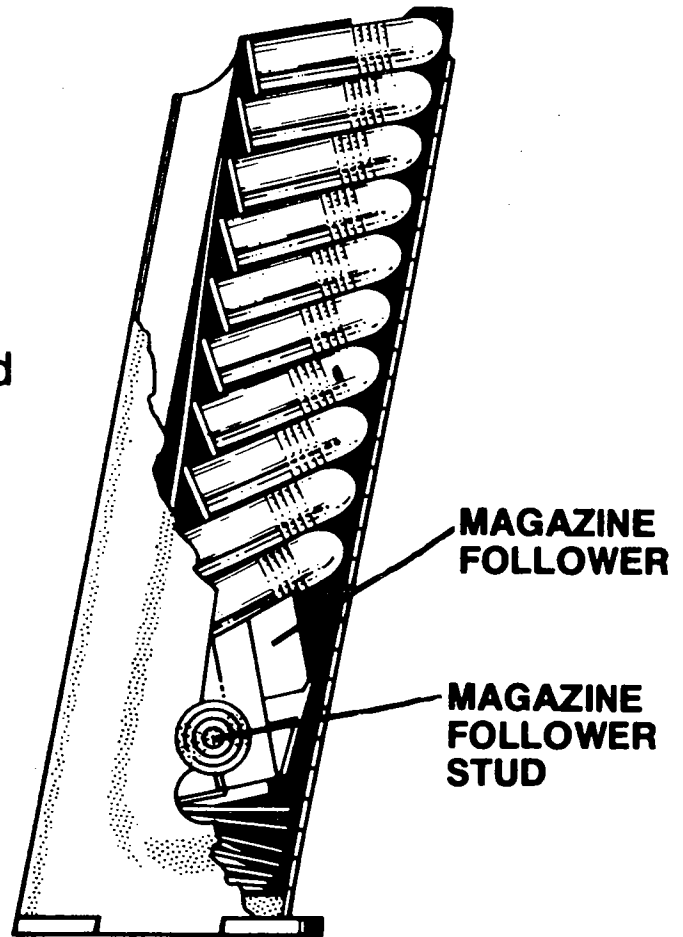
ALL SAFETY PRECAUTIONS AND FEATURES DESCRIBED IN THE ACCOMPANYING INSTRUCTION MANUAL ARE RELEVANT AND APPLICABLE TO THE CONVERTED PISTOL; READ AND UNDERSTAND THEM BEFORE HANDLING THE PISTOL.

FIRST CONVERSION

In order to assure proper installation of the Conversion Unit, that the components fit properly, and that the safety features of the master pistol continue to function correctly after conversion, it is very important that your pistol and 22 cal. Conversion Unit are either taken or sent to your nearest Colt Authorized Repair Service Station (a list of stations is included in this package), where competent gunsmiths can make the conversion and insure that the converted pistol functions properly. After the first conversion is made, subsequent conversions back and forth between 22 cal. and the caliber of the master pistol may be made by following the maintenance procedures in this pamphlet and those in the accompanying pistol instruction manual.

LOADING, UNLOADING AND FIRING

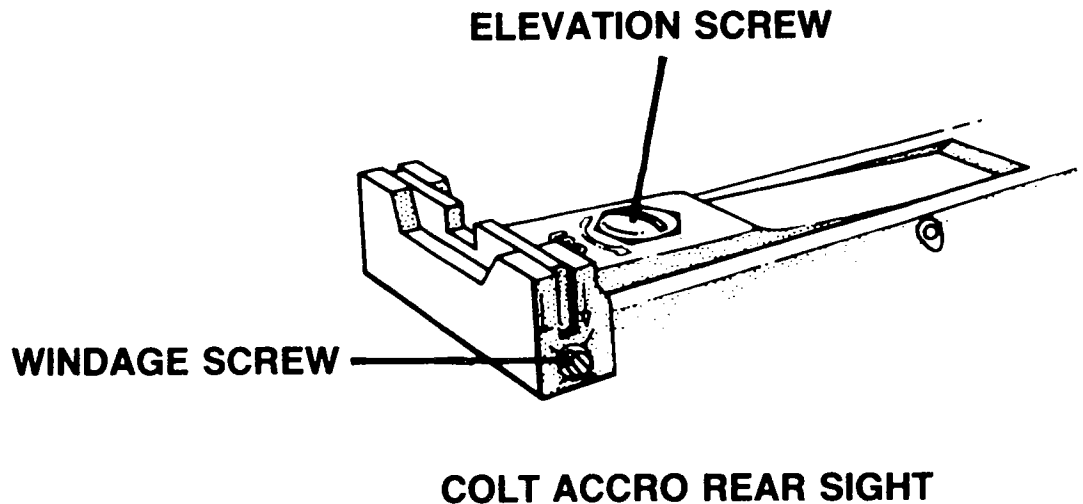
Follow the procedures and safety precautions described in the accompanying pistol instruction manual when loading, unloading or firing your converted pistol, but load only 22 LR ammunition as illustrated here.



LOADED MAGAZINE

ADJUSTING THE COLT ACCRO SIGHT

The conversion unit is fitted with either a fixed sight or the adjustable Colt Accro rear sight. (See illustration). To adjust sight, turn windage screw clockwise and sight moves to left; counterclockwise and it moves to right. Turn elevation screw clockwise to lower sight; counterclockwise to raise it. Point of bullet impact will move in the same direction. It is recommended that adjustments for other than windage and elevation be made only by experienced persons.

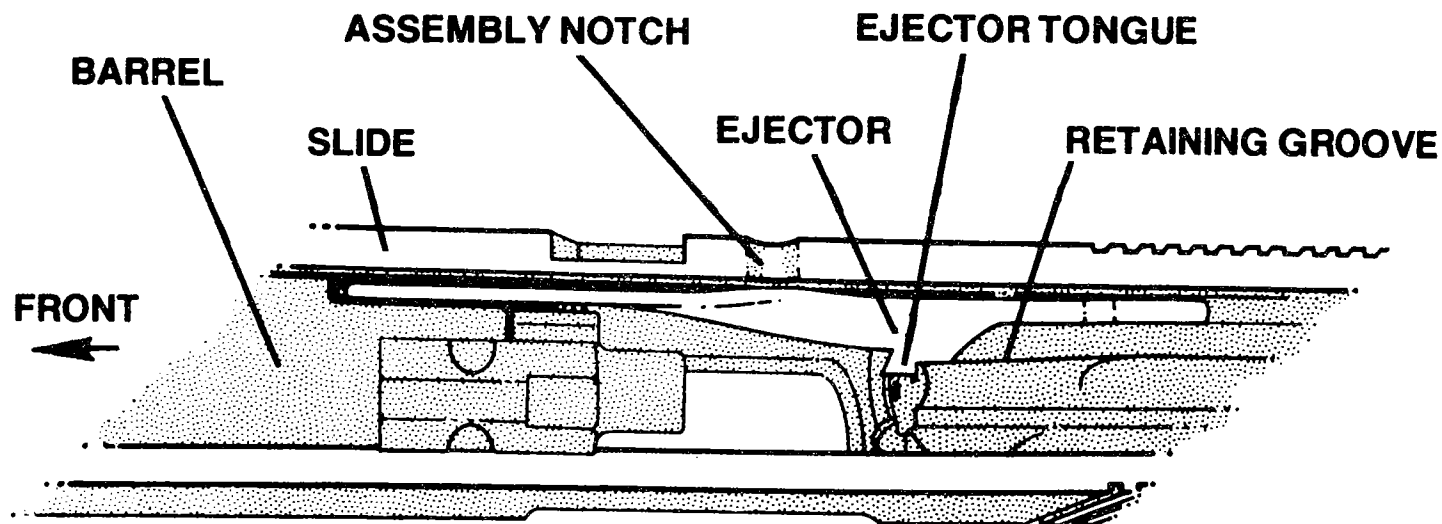


MAINTENANCE

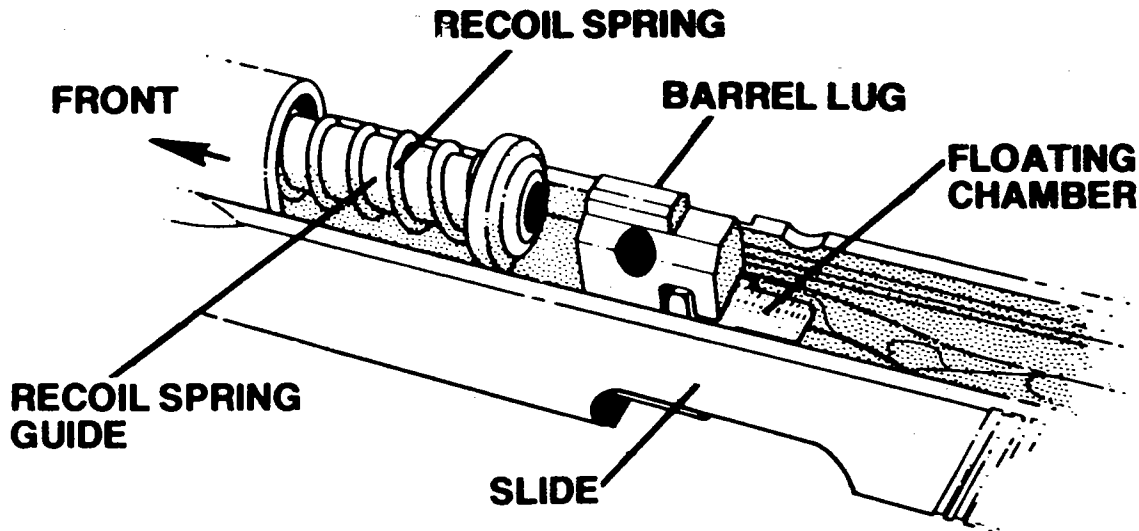
The converted pistol should be maintained in the same way as the master pistol except that the barrel and ejector should be removed and reassembled as follows:

CAUTION: READ THE CAUTIONS IN SECTION 5 OF THE ACCOMPANYING PISTOL INSTRUCTION MANUAL.

1. After the slide has been removed from the receiver and the barrel bushing from the slide, pull barrel forward until ejector is clear of retaining groove and lift out ejector. See illustration.



LOOKING AT UNDERSIDE OF SLIDE



2. Carefully align floating chamber with barrel lug and remove barrel and chamber assembly from front of slide.
3. Rotate floating chamber out of alignment with barrel lug and remove chamber from barrel. Thoroughly clean the floating chamber and barrel using barrel cleaning materials, and occasionally put a little thin oil on the friction points of the pistol.
4. Assemble in reverse order. When installing the ejector, the small ejector tongue must be engaged in the retaining groove of the slide. (See illustration above). After the barrel and barrel bushing* are assembled into the slide, run the slide onto the receiver until the barrel lug hole is exposed through the slide stop hole. Insert the slide stop* into the receiver and through the barrel lug, taking care not to scratch the pistol. Snap the slide stop into place by pressing up and in against the slide stop detent when the slide clearance notch is properly aligned. Then continue reassembling the pistol.

***Note:** Be sure to install the correct barrel bushing and slide stop. The slide stop in the conversion unit is stamped “2”.

After the first conversion has been made professionally, you may assemble the pistol in either the 22 cal. mode or in the caliber of your master pistol. If you wish to retain the 22 cal. mode, use the components of the conversion unit and follow the instructions in this pamphlet. If you prefer to return your pistol to its original caliber, then follow these instructions to remove all the components of the conversion unit and follow the assembly instructions in the accompanying pistol instruction manual to assemble the components of your master pistol.

SERVICE AND REPAIR

Should your converted pistol require service or repair, see Section 5 of the accompanying pistol instruction manual for advice.

WARRANTY STATEMENT

Based on Magnuson-Moss Warranty Act, Colt offers no express warranty on its product line. However, Colt recognizes its obligations concerning implied warranty. Colt also stands behind its product as it has historically and will continue to provide service to its product line as it has over the years. Colt products will be serviced for a period of one year from date of retail purchase, for defects in materials or workmanship, at no charge to the purchaser. Be sure to retain your sales slip as proof of purchase date when making a claim.

These instructions and the accompanying pistol instruction manual should always accompany this conversion unit and be transferred with it upon change of ownership.

Part No. 94874 Rev A Jan 82