

IMPORTANT
READ THESE INSTRUCTIONS
BEFORE USING THIS GUN



MODEL CA32
MODEL CA380
.32 MAGAZINE HOLDS 6 RDS
.380 MAGAZINE HOLDS 5 RDS

GUN SAFETY
WARNINGS

"Failure to follow these
gun safety instructions
may result in injury
to you or others"

WARNING

1. *ALWAYS* use proper shooting glasses to prevent eye injury from flying particles.

WARNING

2. *ALWAYS* use hearing protection to prevent ear damage due to repeated exposure to gun fire noise.

WARNING

3. *DO NOT* carry a loaded gun with a live round in the chamber while walking, or climbing or anywhere you might slip and fall, dropping the gun. A gun that is dropped, bumped or jarred with a live round in the chamber might accidentally discharge even with the safety on causing injury to you or someone else.

WARNING

4. *DO NOT* rely on the safety to prevent accidental discharges. The safety may not prevent an accidental discharge due to dropping, jarring or bumping of the gun.

WARNING

5. *USE ONLY* factory loaded ammunition for which the gun is chambered as indicated on the barrel to prevent excessive pressure and possible serious personal injury.

2

WARNING

6. *RELOADED* ammunition can cause serious injury and damage to the firearm due to stress failure and/or excessive pressure.

WARNING

7. *NEVER* point a gun at anything you do not intend to shoot. Always keep your gun pointed in a *SAFE* direction in case of accidental discharge.

WARNING

8. *ALWAYS* check the barrel to insure that it is free of obstruction before loading and firing the firearm. If you experience a light recoil or "off" sound, **CHECK THE BARREL FOR OBSTRUCTION.**

WARNING

9. *KEEP BARREL, CHAMBER AND ALL MOVING PARTS FREE OF RUST.* Rust in the barrel and chamber can cause excessive pressures, resulting in serious injury. A rusted barrel or chamber can be replaced by COBRA ENTERPRISES only.

WARNING

10. *NEVER* carry a loaded gun in a motor vehicle and *NEVER* carry a loaded gun into a dwelling. *ALWAYS* point your gun in a *SAFE* direction while loading or unloading to prevent serious injury in case of accidental discharge.

3

WARNING

11. *NEVER* – shoot at a hard flat surface or at all the surface of water to avoid a ricochet and possible serious injury to yourself or a bystander.

WARNING

12. *ALWAYS STORE GUNS UNLOADED* – in a clean dry place and out of reach of children and separated from ammunition.

WARNING

13. *NEVER ALTER* – any part in your gun. Use *ONLY* Cobra Enterprises replacement parts.

WARNING

14. Discharging firearms in poorly ventilated areas, cleaning firearms or handling ammunition may result in exposure to lead, a substance known to cause birth defects, reproductive harm and other serious injury. Have adequate ventilation at all times. Wash hands thoroughly after exposure or prior to eating and/or drinking.

4

**ALL FIREARMS ARE DANGEROUS
PLEASE BE CAREFUL**

We provide reasonable care in the manufacture of this pistol, but assume no responsibility for its care, handling and use.

Virtually all accidents are caused by the misuse or mishandling by the user.

Never place your finger on the trigger unless you are ready to shoot the pistol.

CAUTION: We strongly advise that you familiarize yourself with all the mechanisms of this, or any gun, before putting any ammunition into it. Before loading or firing this pistol, make sure there are **NO OBSTRUCTIONS** in the Barrel and wipe away all grease and foreign materials from its bore.

SAFETY: The safety is conveniently located in the top of the left-hand grip. By pushing the Safety down as far as possible to the letter "F", the pistol is in "firing" position. By pushing the Safety fully upward the letter "S" will indicate the pistol is in the "safe" position, also locking slide.

DRY FIRING: Repeated "Dry Firing" of this pistol can cause the firing pin to break. Failure of this pistol to fire or eject is normally caused from a broken firing pin. The firing pin can be changed without the use of tools. Follow the **DISASSEMBLY** instructions, as outlined in this instruction Manual.

5

CAUTION

For your safety, and that of others, we strongly recommend that you do not store, carry or handle this, or any other, firearm with a cartridge in the barrel until you are ready to shoot. A cartridge from the Magazine supply can be placed in the barrel, ready to shoot, in about the same length of time as required to move the Safety Slide from the "Safe" (S) position to the "Fire" (F) position.

DO NOT LOAD PISTOL UNTIL READY TO FIRE.

LOADING THE PISTOL: After loading your Magazine, insert it into the bottom of the pistol handle and push it into the pistol as far as possible. When fully inserted, the Magazine Catch will hook over the bottom of the Magazine and hold it in its proper position. Take the pistol in one hand with a firm grip, making sure your fingers are not touching the trigger. **Point Your Pistol in a Safe direction** and with your other hand firmly grasp the serrated portion of the Slide and pull as far rearward as it will go.

RELEASE THE SLIDE FROM ITS REARMOST POSITION ALLOWING IT TO GO FORWARD OF ITS OWN ACCORD. This procedure places the first cartridge into the chamber and the gun is ready for firing. Subsequent feeding and ejection operations are performed automatically until the pistol is empty. **NOTE:** Unless the pistol is already cocked, the Safety must be in the "Fire" (F) position before the pistol can be cocked or loaded from the Magazine supply.

CAUTION: UNLOAD YOUR PISTOL IF YOU DO NOT INTEND TO SHOOT IMMEDIATELY

6

UNLOADING WITHOUT FIRING: Always point your pistol in a safe direction and move the Safety to Safe ("S") position before attempting to unload your pistol. To unload unfired cartridges move the Magazine Catch rearward until the Magazine can be pulled from the pistol. **AFTER THE MAGAZINE IS REMOVED PLACE PISTOL IN FIRE ("F") POSITION, PULL THE SLIDE TO THE REAR TO REMOVE THE CARTRIDGE FROM THE BARREL CHAMBER.** As a safety precaution, always check the barrel chamber visually by holding the Slide back and looking into the Slide, Chamber and Magazine cavities. **STORE PISTOL AND MAGAZINE SEPARATELY OUT OF THE REACH OF CHILDREN.**

DISASSEMBLY: THE PISTOL MUST BE IN UNLOADED, UNCOCKED AND IN FIRE ("F") POSITION BEFORE TAKE DOWN CAN BE PERFORMED. To remove the Slide, use the end of your finger or a blunt object (such as lead pencil eraser) to push the retainer, located in the back end of the Slide, forward until it stops (about 1/4 inch). While holding the Retainer depressed, gently lift the rearward portion of the Slide away from the Frame until it stops. **Release the Retainer gently as it is spring-loaded.** Hold the rearward portion of the Slide up and push the slide forward, off of the end of the gun. This procedure removes the entire Slide Assembly and is sufficient for normal cleaning and oiling. Clean the Barrel within a reasonable period of time after shooting. After the powder residue has been removed, give the Barrel bore a light protective coat of oil. **Do not lubricate with anything but a lightweight machine oil, such as 3 in 1 oil or equivalent.**

7

ASSEMBLY: Make sure the Recoil Spring is over Barrel. Place the Slide Assembly over the Barrel and pull rearward until it can be dropped down onto the Frame. De-press the Retainer into the Slide far enough to allow it to drop into its slot. Release the Retainer after Slide is pushed down onto the Frame. You should not be able to lift the rear of the Slide away from the Frame if properly assembled. After the assembly is completed, but before loading, manually operate the pistol to see that everything functions properly.

NOTICE TO CUSTOMER

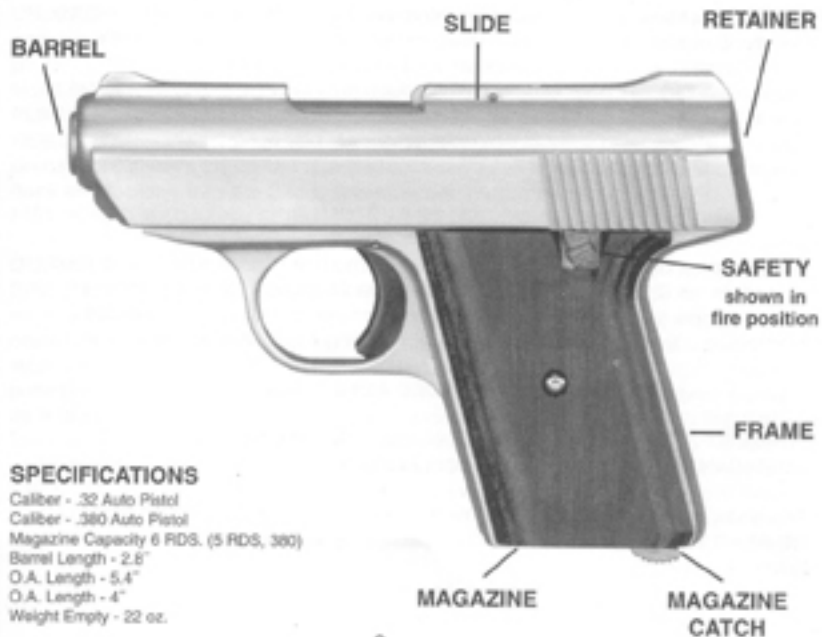
Reload ammunition, or any other soft leaded ammunition, may not function or feed properly in the Cobra Model Pistols. This pistol is designed for standard factory loaded, cooper jacketed, "HARD BALL" type ammunition. Never oil or lubricate ammunition. Oils can penetrate ammunition, causing it to misfire or malfunction.

RECOMMENDED AMMUNITION

FOR BEST SHOOTING AND FUNCTION, WE RECOMMEND FEDERAL OR AMERICAN AMMUNITION. (On all Cobra Products).

This pistol was test-fired before shipment. If you experience "FEED" problems, **RE-READ THE LOADING INSTRUCTIONS** and try another brand of ammunition before returning the pistol for repair.

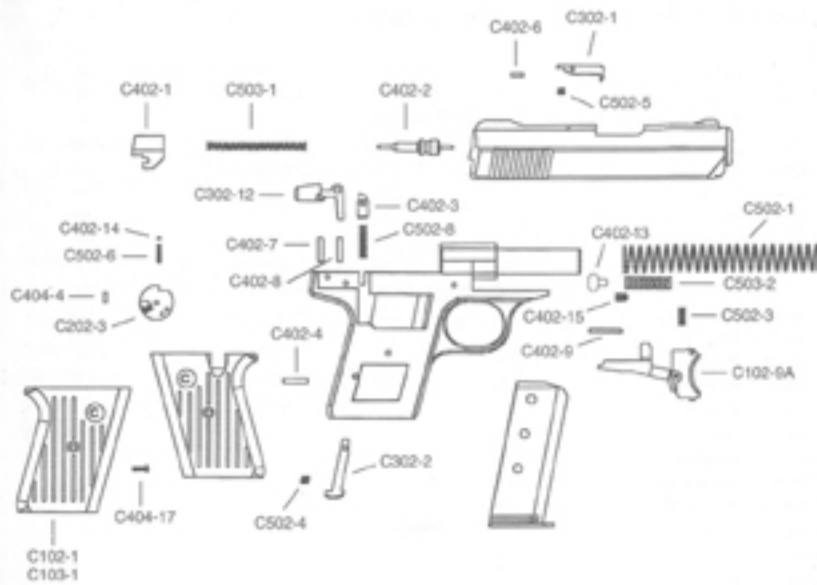
8



SPECIFICATIONS

Caliber - .32 Auto Pistol
Caliber - .380 Auto Pistol
Magazine Capacity 6 RDS. (5 RDS, 300)
Barrel Length - 2.6"
O.A. Length - 5.4"
O.A. Length - 4"
Weight Empty - 22 oz.

9



10

Stock NO.	Part NO.	Price	Stock NO.	Part NO.	Price
C102-1	Wood Grips .32	8.00	C502-1	Recoil Spring	2.00
C102-6A	Trigger Assembly	5.00	C502-3	Trigger Spring	1.00
C103-1	Black Plastic Grips .380	8.00	C502-4	Magazine Catch Spring	1.00
C202-1	Frame	N.A.	C502-5	Extractor Spring	1.00
C202-2	Slide (P-32)	25.00	C502-6	Safety Spring	1.00
C202-3	Safety	4.00	C502-8	Sear Spring	1.00
C202-2	Slide (P-380)	25.00	C503-1	Firing Pin Spring	2.00
C302-1	Extractor	3.50	C503-2	Bumper Spring	2.00
C302-12	Cam	5.00	C602-1	Complete Mag. (P-32)	15.75
C402-13	Retainer/Buttons	1.50	C603-1	Complete Mag (P-380)	15.75
C302-2	Magazine Catch	4.00	C700-11	Instruction Manual	Free
C402-1	Retainer	5.00			
C402-14	Safety Ball	N.A.			
C402-15	Safety Pin	1.00			
C402-2	Firing Pin	3.50			
C402-3	Sear	6.00			
C402-4	Barrel Press & Mag Catch Pin	1.00			
C402-6	Extractor Pin	1.00			
C402-7	Retainer Pin	1.00			
C402-8	Cam Pin	1.00			
C402-9	Trigger Pin	1.00			
C404-17	Grip Screws	1.00			
C404-4	Safety Pin	1.00			

MINIMUM \$4.00
SHIPPING &
HANDLING
PER ORDER

11

YOUR LIFETIME WARRANTY Serial Number _____

To activate this warranty you must complete this card and mail, with proper postage, within 30 days of purchase.

MODEL _____ CALIBER _____ DATE PURCHASE ____/____/____

1. Where did you purchase this pistol? Store _____

CITY _____ STATE _____ ZIP _____

2. Is this your first purchase of a firearm? YES / NO

3. Did you receive this pistol in a COBRA ENTERPRISES box with the operating instructions for the pistol you purchased? YES / NO

4. Did you read and understand all of the operating instructions? YES / NO

5. Did you receive any verbal instruction from a competent firearms instructor, on the safe handling of this pistol? YES / NO

IF YOU ANSWERED NO TO 4, OR 5, IT IS OUR STRICT RECOMMENDATION FOR YOUR SAFETY AND THE SAFETY OF OTHERS, THAT YOU DO NOT ATTEMPT TO LOAD, OR OPERATE, THIS PISTOL UNTIL YOU HAVE OBTAINED SAFE HANDLING INSTRUCTIONS BY A QUALIFIED FIREARMS INSTRUCTOR!

Customer Name (Print) _____

Address _____

City _____ State _____ Zip _____

email: _____

Customer Signature _____

12

THIS IS YOUR LIFETIME WARRANTY CARD

PLEASE MAIL IN AN ENVELOPE

COBRA ENTERPRISES
1960 S. Milestone Dr. Suite F,
Salt Lake City, UT 84104

801-908-8300
email: cobrapistols@networld.com

13

IMPORTANT
READ THESE INSTRUCTIONS
BEFORE USING THIS GUN



MODEL CA32
MODEL CA380
.32 MAGAZINE HOLDS 6 RDS
.380 MAGAZINE HOLDS 5 RDS

14

SAFETY GLASSES SHOULD BE WORN AT ALL TIMES

REMEMBER, CARELESSNESS CAUSES CALAMITY.
LEARN TO BE A SAFE SHOOTER SO THAT
YOU CAN ENJOY YOUR PISTOL FOR MANY YEARS.
THERE ARE NO SAFE GUNS... THERE ARE ONLY
SAFE GUN OWNERS.

RESPECTFULLY



1960 S. Milestone Dr. Suite F
Salt Lake City, UT 84104
ph 801-908-8300