

SPENCER REPEATING CARBINE

OWNER'S MANUAL



Manufactured by
ARMI SPORT

Via Fornaci 66
25131 Brescia Italy

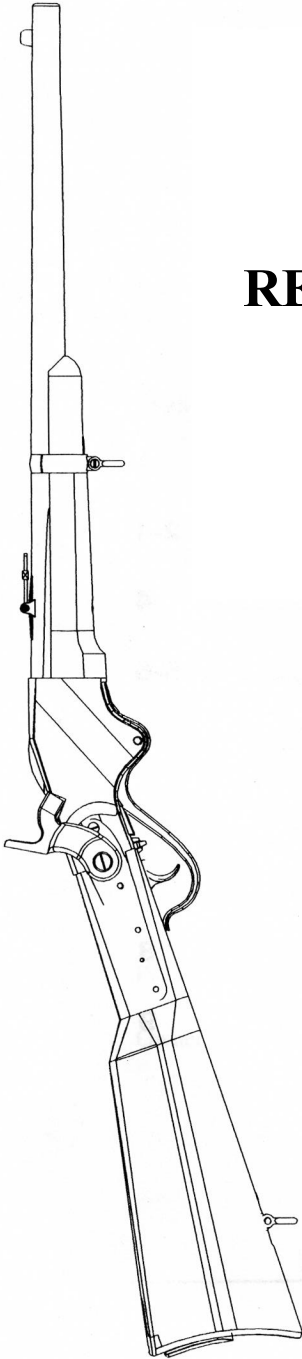


Table of Contents

Introduction.....	1
Safety.....	2-4
Handling.....	4
Ammunition.....	5-6
Loading.....	6
Unloading.....	7
Firing.....	7-8
Malfunction.....	8
Disassembly.....	9

OPERATOR'S MANUAL

Please read and understand this manual before loading, firing or servicing your rifle. You accept full responsibility for the use or misuse of this rifle or any other rifle.

It is important that you read and fully understand all the safety procedures and the operation of this rifle, especially before firing this rifle.

It is of the utmost importance that you are a responsible rifle owner. Careless rifle use may result in serious harm or death. Please follow all safety rules at all times with this rifle or any other rifle.

Armi Sport and the Importer are not responsible for any misuse of the rifle.

Please contact us if you do not understand anything in this manual or you have any questions concerning your rifle.

Please fill in this information immediately and keep for you records.

Model _____

Serial Number _____

Caliber _____

Purchase Date _____

Owner _____

SAFETY

NEVER transport a loaded rifle.

Never use the half-cock as a safety. The only safe way to carry your rifle loaded is with the chamber **empty**.

Keep the muzzle pointed in a safe direction.

Never point the rifle at anyone, even if it is unloaded.

Do not drop or roughly handle your rifle.

Do not chamber a round until you are ready to fire at the intended target.

Cock the hammer only when ready to shoot.

After chambering a round and cocking the hammer, do not put your finger on the trigger until you have the sight on the target.

Be sure of anything that may be behind your target, in case of ricochet or penetration through the target.

Be sure your rifle is free of bore obstructions and that the chamber and barrel is free of grease or oil.

Unload your rifle before storage, transportation, handing it to someone else, laying it down, or leaning it against an object, or before leaving it unattended for any reason.

Old or reloaded ammunition is not safe. Use only clean high-quality commercial ammunition.

Keep the ammunition away from heat sources.

Know the proper ammunition for your rifle. And double-check the ammunition before loading it in your rifle.

If your rifle fails to fire after you have pulled the trigger, keep the rifle pointed at the target for at least thirty seconds. After 30 seconds if nothing happens, try pulling back the hammer all the way and pull the trigger. If the rifle still fails to fire after 30 seconds, eject the round.

Always make sure anyone around you is at least 10 feet to the rear of you while firing, loading and unloading.

Always wear protective shooting eyewear and hearing protection when ever firing, loading or unloading your rifle.

Shooting at rocks, water, or any hard surface can result in a ricochet.

Never fire your rifle if there is water, dirt, snow or any other debris in the barrel.

Always carry the rifle with the end of the barrel pointed in a safe direction.

Do not cross fences or climb tree with a loaded rifle.

Rifles should be stored separately from the ammunition and out of reach of children.

Do not use a rifle when under the influence of alcohol or drugs. If you are taking any medications please consult your physician about the effects it may have on your vision, coordination or judgment before firing any rifle.

Consider all rifles to be loaded at all times.

Do not alter or modify your rifle in any way.

Any violation of the rifle cancels our warranty service and releases Armi Sport and the Importer from any responsibility.

Do not alter the trigger pull.

The extra ordinary maintenance beyond standard cleaning must be made only from authorized personnel from Armi Sport or Importer.

The hammey should be in half-cock position before you breech your carbine.

Any after market accessories or alterations may result in rendering your rifle less safe.

It is absolutely forbidden to cancel or alter the serial number of the rifle.

If your rifle malfunctions in any way, do not use it. Contact the Importer or Armi Sport for servicing information and directions for service.

If a shot sounds weak or unusual, do not fire another round through your rifle. Unload the rifle and check the bore for obstructions.

If a bore obstruction is present, have the obstruction removed by a competent gunsmith or contact the Importer or Armi Sport for servicing information and directions for service.

ALWAYS KEEP YOUR RIFLES OUT OF REACH OF ANYONE UNDER THE AGE OF 18.

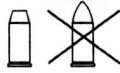
HANDLING

Before attempting to load and fire your Spencer, follow the directions as described in the loading section. Practice with a dummy round or without ammunition to familiarize yourself with your new rifle. This will give you a feel for the working mechanisms and the trigger pull.

AMMUNITION

WARNING: Armi Sport and their Importer disclaims any responsibility for any damage or injury whatsoever that occurs in connection with or as a result of the use in Armi Sport firearms of faulty, non-standard, remanufactured, or hand loaded (reload) ammunition or as a result of the use of cartridges other than those for which the rifle was originally chambered.

FLAT-NOSED BULLETS are the only type to be used in your Spencer, use of pointed bullets is dangerous and could result in accidental primer ignition.



Do not use ammunition that is questionable in identity or with an absent or unclear stamp.

Use only commercially loaded ammunition in the proper caliber for your rifle.

Death or serious injury may result from excessive pressure. The rifle may sustain damage. Excess pressure can be caused by chamber or bore obstructions, overloaded or improperly assembled ammunition.

LOADING

Point the rifle in a safe direction with the muzzle pointing down.

Make sure the lever is in the upper position against the rifle.

With your thumb, press the upper end of the magazine tube base 90 degrees downward to your right and withdraw it completely from the magazine well.

With the exposed **FLAT-NOSE BULLET** pointing toward the muzzle, load the cartridges with the correct number of rounds according to the caliber.



Remember use only FLAT NOSED BULLETS. You must hold the rifle at an angle so that the cartridges slide down the magazine instead of dropping in.



After all rounds have been placed into the magazine well. insert the magazine tube into the magazine well until the magazine tube base is even and 90 degrees to the right of the butt plate.

Then rotate the magazine tube base 90 degrees to your left.

UNLOADING

Point the rifle in a safe direction with the muzzle pointing Up.

Lower the lever to the full extent.

With the muzzle pointed down. in a safe direction, withdraw the magazine tube, then elevate the muzzle upward and allow the unfired rounds to slide out into your hand Or a soft surface.

Visually inspect the chamber, magazine tube and magazine for any missed rounds.

Replace the magazine tube.

FIRING

Place your protective eyewear and ear protection on.

Point the rifle in a safe direction.

Move the lever to its down most position. The breechblock will then pick up a round from magazine well.

Bring the lever back up to the up most position. The round is now chambered.

Put your rifle to your shoulder and aim at the intended target.

Pull the hammer back two clicks.

Place finger on the trigger and squeeze the trigger.

After the shot is fired, pull the lever down.

The empty case will have been extracted and fallen to the rear.

Pull the lever back up until the lever is all the way up and touching the rifle.

Now a new round will have been inserted into the chamber.

Tip: We have found that the Spencer functions best if the lever is moved briskly through its downward and upward travel with out hesitation between the downward and upward strokes.

MALFUNCTION

If a cartridge hangs up, binds, jams or fails to feed, do not force it into the chamber by pushing or striking the lever.

Most failures to feed are due to improperly loaded, damaged, or dirty ammunition, or improper rifle handling.

If a jam or failure to feed occurs, point the rifle in a safe direction and place the hammer at the half-cock position.

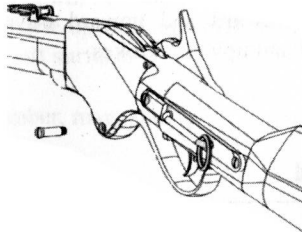
Point the rifle barrel towards the sky and remove the magazine tube. Allow all the rounds in the magazine well to slide out of the rifle. When the magazine well is empty, with the rifle pointed skyward, gently lower the lever and allow the stuck round to slide to the rear and out of the magazine well. Check to see if there is a round in the chamber. When the rifle has been completely unloaded, it may again be loaded in the proper procedure.

DISASSEMBLY

Unload the rifle.

Remove the magazine tube from the magazine well.

Unscrew the lever screw 14 (hinge pin) and drop the lever and breech block assembly out the underside of the action (receiver). Use a hollow ground screwdriver of the correct fit to avoid damage to the screw.

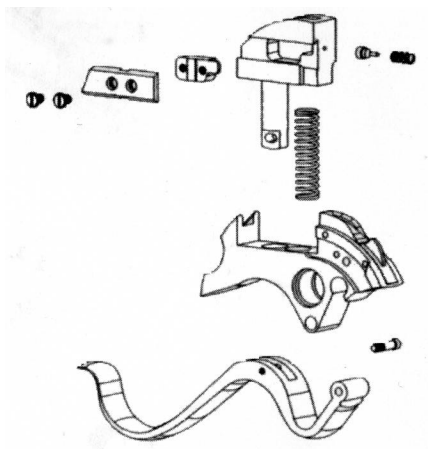


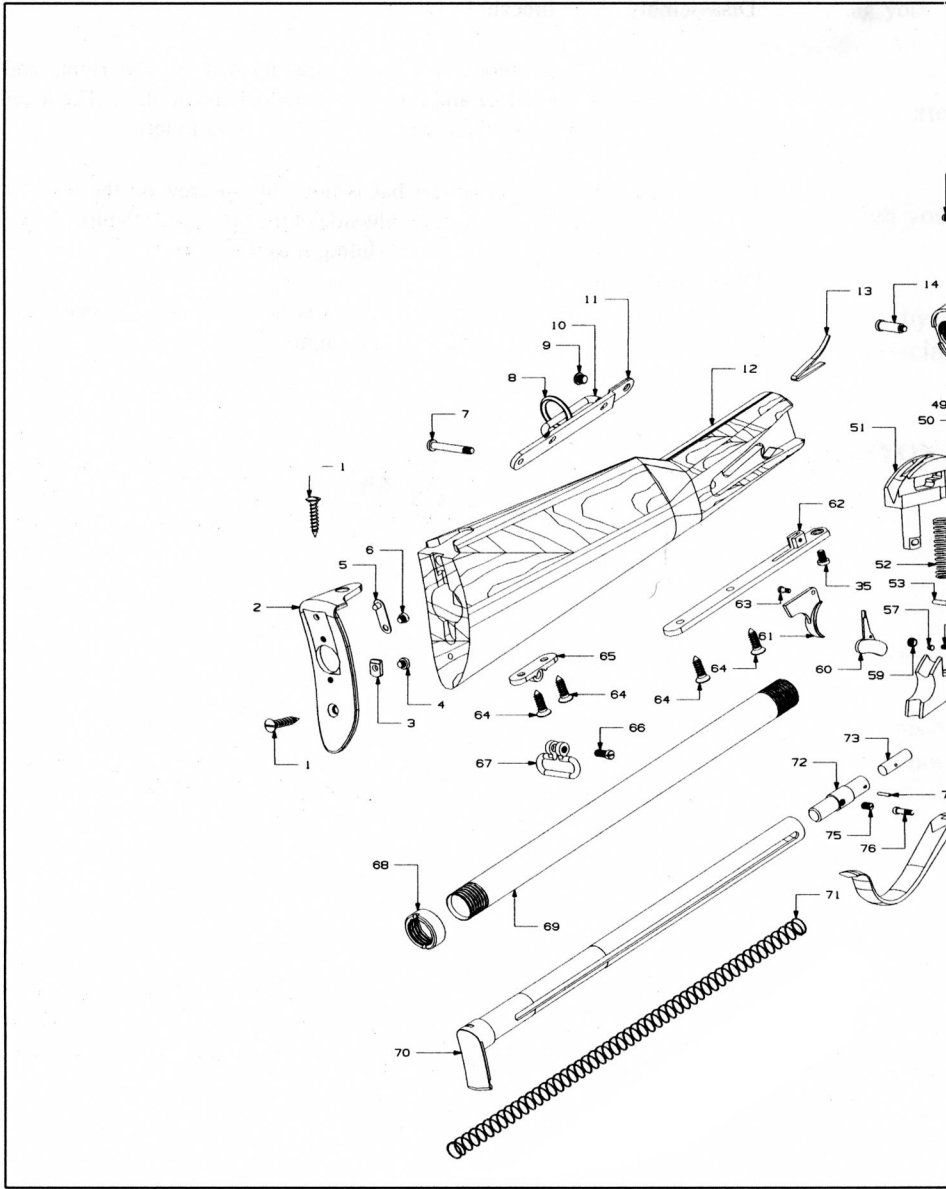
Disassembly of the breechblock:

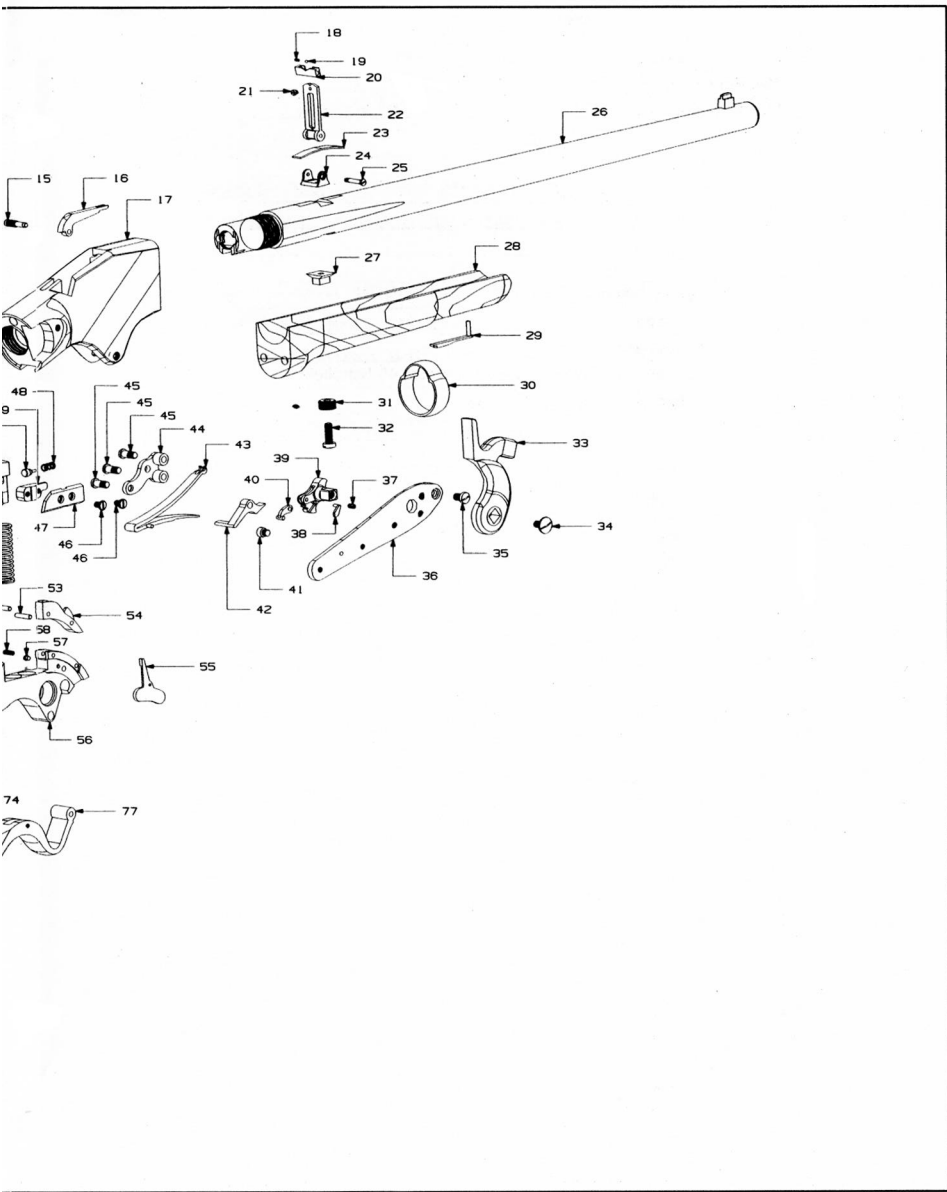
Remove the block to lever screw located on the right, and separate the upper and lower breech block assemblies. The lever will slide out of the lower breech block right to left.

Removal of the transfer bar is done by unscrewing the transfer bar screw located on the right side of the upper breech block. The transfer bar is removed by sliding it to the right.

Disassembly of the lock plate mechanism is normally not necessary and should only be done by a competent gunsmith.







POS.	ITEM	DESCRIPTION
1	730.213	Butt plate screw
2	760.030	Butt plate
3	770.009	Magazine base catch
4	730.203	Magazine base catch screw
5	721.037	Magazine catch spring
6	730.247	Magazine catch spring screw
7	730.218	Rear saddle bar screw
8	730.088	Saddle ring
9	730.223	Front saddle bar screw
10	790.141	Saddle bar
11	790.139	Saddle bar plate Stock
12	780.017	Cartridge spring keeper
13	721.046	Lever action screw
14	730.221	Cartridge keeper lever screw
15	730.225	Cartridge keeper lever cal.44S&W Russian - cal.45 Schofield
16	770.019	Cartridge keeper lever cal.56/50 Spencer
16	770.107	Receiver
17	770.032	Slide spring
18	720.032	Slide sphere
19	130.021	Rear sight slide
20	790.149	Rear sight slide screw
21	730.215	Rear sight ladder
22	790.142	Rear sight base spring
23	721.077	Rear sight base
24	790.145	Rear sight side screw
25	730.160	Barrel cal.44S&W Russian
26	710.032	Barrel cal.56/50 Spencer
26	710.056	Barrel cal.45 Schofield
26	710.055	Barrel lug
27	790.143	Forend
28	780.020	Band spring
29	721.076	Barrel band
30	790.144	Forend escutcheon
31	730.208	Forend screw
32	730.240	Hammer
33	790.159	Hammer screw
34	730.205	Front lock screw
35	730.224	Lock plate
36	770.029	Stirrup
37	730.204	Screw
38	770.083	Fly
39	770.089	Tumbler
40	770.082	Stirrup
41	730.219	Hammer spring screw
42	770.146	Sear
43	721.075	Main spring
44	770.081	Bridle
45	730.220	Bridle screw
46	730.098	Percussion plate screw

POS	ITEM	DESCRIPTION
47	770.012	Percussion plate
48	720.033	Firing pin spring
49	770.011	Firing pin pusher
50	730.241	Firing pin
51	770.026	Upper block cal.44S&W Russian - cal. 45 Schofield
51	770.110	Upper block cal.56/50 Spencer
52	720.034	Block spring
53	730.249	Cam pin
54	770.028	Cam cal.44 S&W Russian
54	770.109	Cam cal.56/50 Spencer
54	770.108	Cam cal. 45 Schofield
55	770.023	Extractor right cal.44 S&W Russian
55	770.104	Extractor right cal.45 Schofield
56	770.025	Lower block
57	730.217	Extractor pin
58	720.009	Extractor pin spring
59	730.023	Extractor pin bush
60	770.024	Extractor left cal. 44S&W
60	770.103	Russian Extractor left cal.45 Schofield
60	770.105	Extractor left cal.56/50 Spencer
61	790.138	Trigger
62	790.140	Trigger guard
63	730.244	Trigger screw
64	730.267	Trigger guard screw
65	790.130	Swivel mounting plate
66	730.250	Swivel screw
67	790.129	Swivel
68	730.119	Clamping tube ring
69	730.118	Magazine seat tube
70	073.117	Magazine tube cal.44S&W Russian - Cal. 45 Schofield
70	073.251	Magazine tube cal.56/50 Spencer
71	720.029	Magazine tube spring
72	730.091	Follower cal.44 S&W Russian- Cal. 45 Schofield
72	730.252	Follower cal.56/50 Spencer
73	750.026	Follower cap
74	730.297	Follower cap pin
75	730.232	Follower retaining screw
76	730.226	Block to lever screw
77	770.027	Lever
	092.001	Saddle ring assembly
	990.004	Lock plate assembly
	990.007	Rear sight assembly
	990.005	Block assembly cal.44 S&W Russian- 45 Schofield
	990.010	Block assembly cal.56/50 Spencer
	990.006	Magazine assembly cal.44S&W Russian - 45 Schofield
	990.009	Magazine assembly cal.56/50 Spencer