



User's guide for:

OVERTOP rifle cartridge



**ATTENTION: BEFORE REMOVING THE FIREARM FROM ITS PACKAGE
READ & UNDERSTAND WARNINGS AND FULL INSTRUCTIONS AND
PRECAUTIONS IN THIS OWNER'S MANUAL**

Overtop Rifle Cartridge

Folding barrel single shot rifle, completely machined from solid high quality steel, extremely safe, the hammer will not be cocked automatically when closing the gun but pushing the specific button on the tang; when cocked, it can be easily un-cocked pushing the button that will come backwards putting the gun in safety.

Monobloc barrel, disassembling with a simple pin, bottom quality rifling, prepared for optic mounts

Hammer cock with lever/button on tang – Adjustable trigger

Two safeties, one automatic

Pistol grip chequered stock with quality wood to metal fit, rubber buttplate

Overtop Retrocarica

Fucile a colpo singolo basculante, completamente macchinato da acciaio di alta qualità. Estremamente sicuro, il cane non si arma automaticamente con la chiusura dell'arma ma grazie ad una leggera spinta in avanti del pulsante di armamento, quando è armato può essere facilmente disarmato premendo la parte superiore del pulsante di armamento il quale arretrerà mettendo l'arma in sicurezza.

Canna monobloc smontabile per mezzo di una spina, canna botonata, predisposto per ottica. Grilletto regolabile . Doppia sicura di cui una automatica.

Calcio a pistola zigrinato con incassature di alta qualità, calciolo in gomma

WARNINGS

Armi Sport is not responsible for damage to objects caused by misuse of the gun or for injuries to person or animals, or in case of death, caused voluntarily or involuntarily by the gun user.

Armi Sport is not responsible for injuries caused by poor maintenance, misuse of the gun, unauthorized or improper modifications.

Armi Sport declines responsibility for the indirect consequences of any injuries and / or death of persons or animals, damage to objects caused by use of the gun or by primer explosion, by bullet's ricochet, or unsafe loading practices and or procedure.

The complete and full knowledge of your firearm may help you to avoid serious injuries due to lack of safety devices.

Read the entire manual and learn the proper use of the gun without live ammunition. It is important that you understand the proper use of this product. The life of the people close to you may depend on your safety.

If the manual is not clear, please contact the dealer where you bought the gun or call the distributor or the manufacturer by using the contact information provided within this manual.

All the guns are tested in the Armi Sport facility. To guarantee the gun is safe, it is sent to the National Proof House of Gardone Val Trompia – BRESCIA – ITALY - for proof testing.

The Proof House test the firearm with heavy loads then checks the barrel, chamber and headspace to make certain the firearm is safe for use with standard factory ammunition.

The National Proof House will put their markings on the gun, according to

The Italian law, certifying the gun is qualified and can be sold.

THE COURT OF BRESCIA - ITALY, WILL SETTLE ALL DISPUTES.

The fundamentals of safe gun handling are:

1. ALWAYS keep the gun pointed in a safe direction.

This is the primary rule of gun safety. A safe direction means that the gun is pointed so that even if it were to go off it would not cause injury or damage. The key to this rule is to control where the muzzle or front end of the barrel is pointed at all times. Common sense dictates the safest direction, depending on different circumstances.

2. ALWAYS keep your finger off the trigger until ready to shoot.

When holding a gun, rest your finger on the trigger guard or along the side of the gun. Until you are actually ready to fire, do not touch the trigger.

3. ALWAYS keep the gun unloaded until ready to use.

Whenever you pick up a gun, immediately engage the safety device if possible, and, if the gun has a magazine, remove it before opening the action and looking into the chamber(s) which should be clear of ammunition. If you do not know how to open the action or inspect the chamber(s), leave the gun alone and get help from someone who does.

When using or storing a gun, always follow these rules:

Know your target and what is beyond.

Be absolutely sure you have identified your target beyond any doubt.
Equally important, be aware of the area beyond your target.
This means observing your prospective area of fire before you shoot.
Never fire in a direction in which there are people or any other potential for mishap.
Think first.
Shoot second.

Know how to use the gun safely.

Before handling a gun, learn how it operates.
Know its basic parts, how to safely open and close the action and remove any ammunition from the gun.
Remember, a gun's mechanical safety device is never foolproof.
Nothing can ever replace safe gun handling.

Be sure the gun is safe to operate.

Just like other tools, guns need regular maintenance to remain operable.
Regular cleaning and proper storage are a part of the gun's general upkeep.
If there is any question concerning a gun's ability to function, a knowledgeable gunsmith should look at it.

Use only the correct ammunition for your gun.

Only cartridges or shells designed for a particular gun can be fired safely in that gun.
Most guns have the ammunition type stamped on the barrel.

Ammunition can be identified by information printed on the box and sometimes stamped on the cartridge. Do not shoot the gun unless you know you have the proper ammunition.

Wear eye and ear protection as appropriate.

Guns are loud and the noise can cause hearing damage. They can also emit debris and hot gas that could cause eye injury. For these reasons, shooting glasses and hearing protectors should be worn by shooters and spectators.

Never use alcohol or over-the-counter, prescription or other drugs before or while shooting.

Alcohol, as well as any other substance likely to impair normal mental or physical bodily functions, must not be used before or while handling or shooting guns.

Store guns so they are not accessible to unauthorized persons.

Many factors must be considered when deciding where and how to store guns. A person's particular situation will be a major part of the consideration. Dozens of gun storage devices, as well as locking devices that attach directly to the gun, are available. However, mechanical locking devices, like the mechanical safeties built into guns, can fail and should not be used as a substitute for safe gun handling and the observance of all gun safety rules.

Be aware that certain types of guns and many shooting activities require additional safety precautions.

Regular cleaning is important in order for your gun to operate correctly and safely. Taking proper care of it will also maintain its value and extend its life. Your gun should be cleaned every time that it is used. A gun brought out of prolonged storage should also be cleaned before shooting. Accumulated moisture and dirt, or solidified grease and oil, can prevent the gun from operating properly. Before cleaning your gun, make absolutely sure that it is unloaded. The gun's action should be open during the cleaning process. Also, be sure that no ammunition is present in the cleaning area.

1. *Read the instructions carefully before use.*
2. *Be aware that you are handling a firearm; therefore your knowledge and behaviour may affect your life and those of the people close to you.*
3. *Reading the manual and the careful examination of the gun are fundamental to avoid any kind of problem.*
4. *Guns and ammunition must be kept in different locations.*
5. *After use, store firearm in a safe place, not accessible to others.*
6. **ALWAYS** *keep guns and ammunitions out of reach of children.*
7. *The gun must **ALWAYS** be stored unloaded, **ALWAYS** check that the barrel is free of obstruction.*
8. **ALWAYS** *keep the gun unloaded when transporting from home to the shooting areas.*
9. *When you walk around with the gun in a shooting area, ALWAYS keep the muzzle pointed in a safe direction.*
10. **ALWAYS** *check to ensure that the barrel is free of obstructions*

-
11. *Accumulation of rust in the barrel can cause excessive pressures resulting in serious injury and may cause the explosion of the barrel. A rusted, pitted or eroded barrel should be replaced.*
 12. *Always wear shooting glasses when shooting to protect your eyes.*
 13. *Use hearing protection to prevent hearing loss from repeated exposure to gunfire.*
 14. **NEVER** *modify any parts of your gun. Any alteration may cause serious personal injury and cancels the warranty.*
 15. *Only a qualified gunsmith may service the gun for repair or serious maintenance.*
 16. *Wash hands thoroughly after shooting and handling firearms to remove any unwanted residues.*
 17. *In case of misfire, keep the firearms in shoot direction for some minutes; it could be a retarded burst.*
 18. *Armi Sport declines any responsibility for misuse of the firearms.*
 19. *In case of alteration of the firearms, Armi Sport declines any civil and penal responsibility and will not refund any damage.*
 20. *The user is responsible for injuries or damages caused to him or to other persons.*
 21. *Do not use alcohol or drugs before or during shooting session and handling guns.*
 22. *When shooting if you hear a weak detonation or different sound, stop immediately, unload the gun and inspect immediately for damages or obstructions. NEVER shoot with a damaged firearm or obstructed barrel.*
 23. *NEVER run with a loaded gun, don't cross obstacle (fences or water courses, exc.) without having your firearm unloaded and in safety position.*

*Armi Sport is proud to introduce the range of our
Over top*

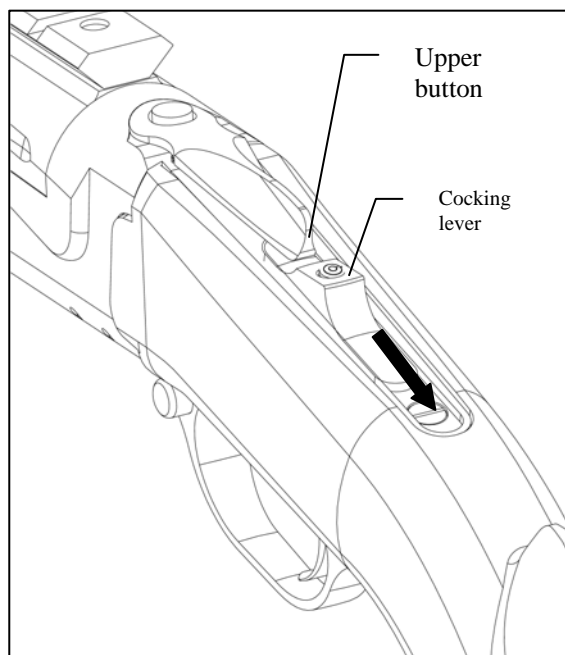
RIF. ARTICOLO	DESCRIZIONE	CALIBRO	LUNGH. CANNA	N. DI RIGHE	PASSO RIGATURA (MM)
500.033	Over top	223 RE m	500mm	6	305
500.034	Over top	222Rem	500mm	6	356
500.035	Over top	243Win	500mm	6	254
500.036	Over top	.22Hornet	500mm	6	406
500.037	Over top	5,6x50	500mm	6	350
500.038	Over top	6,5x57	500mm	4	200

Each firearm is duly submitted to strong testing, to grant the highest security of the product, to the Italian Proof House in Gardone Val Trompia.

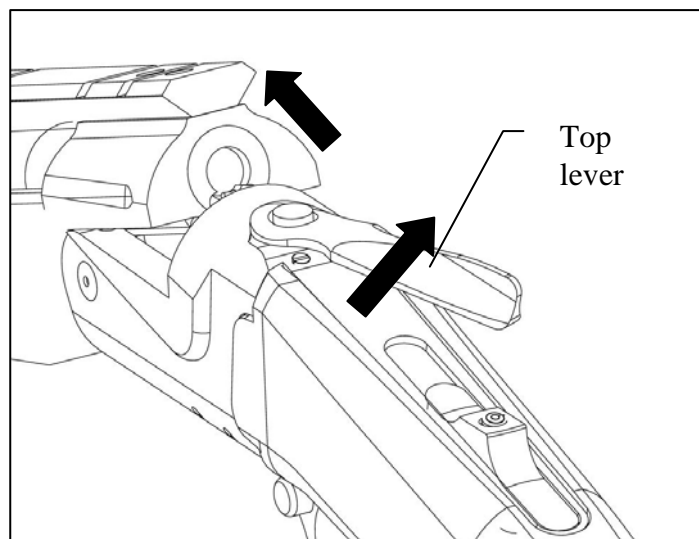
On request we may add high quality and precious hand engravings in each firearms.

Instructions for OverTop

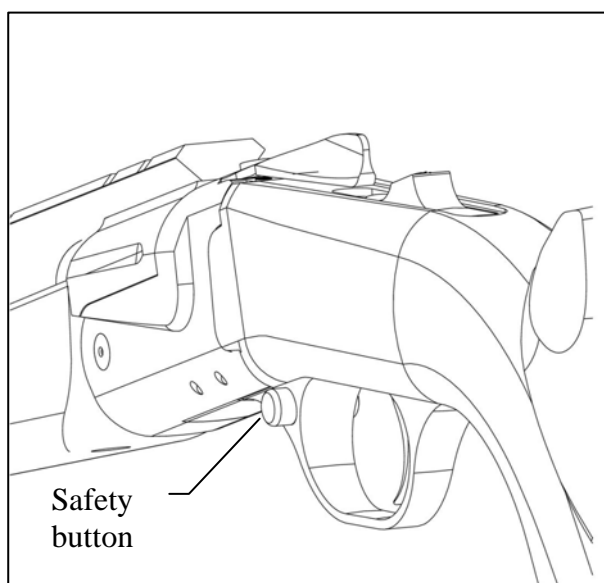
- Be sure the cocking lever (45) is in backward position
- If it's not, push the upper button (42) and pull the cocking lever backward till you hear a click



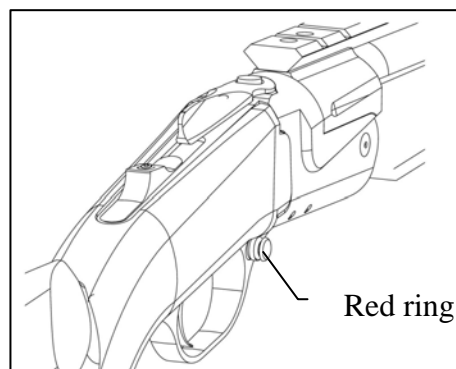
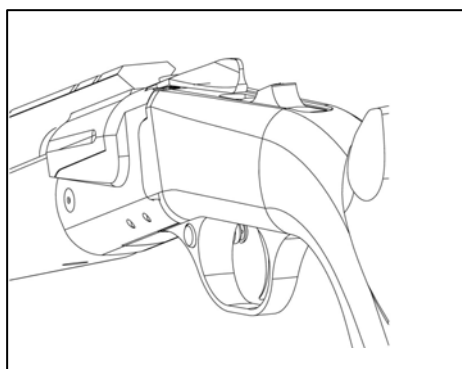
- To open the rifle move the top lever anti-clockwise



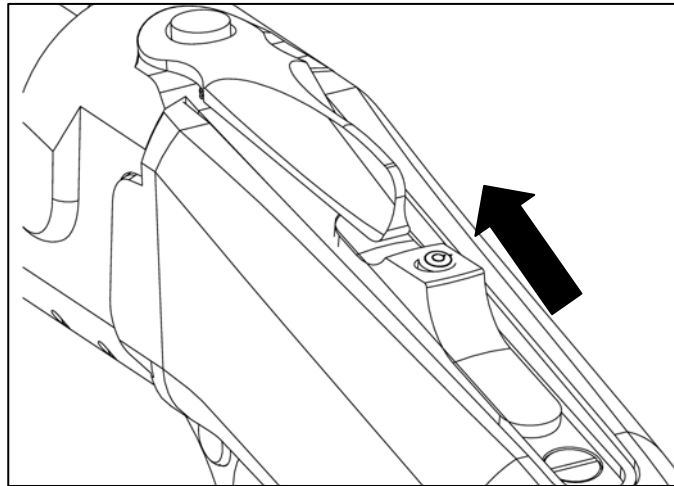
- Insert ammunition of the correct caliber
- Close the barrel
- The rifle is now loaded
- The hammer is not cocked
- Automatic safety is inserted
- To shoot you must put the safety in Off position moving the button from left to right.



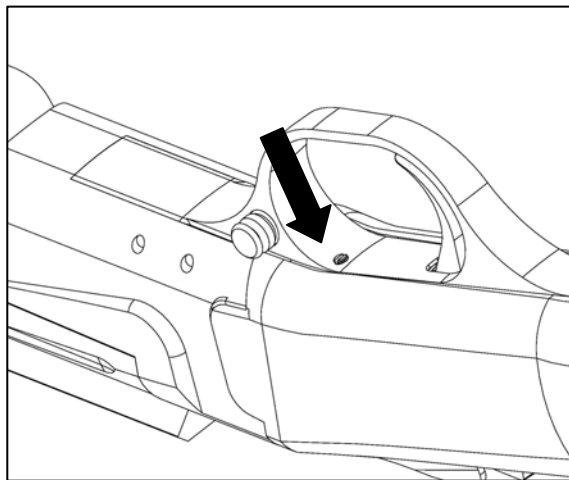
- You can now see a red ring showing the safety is in OFF position



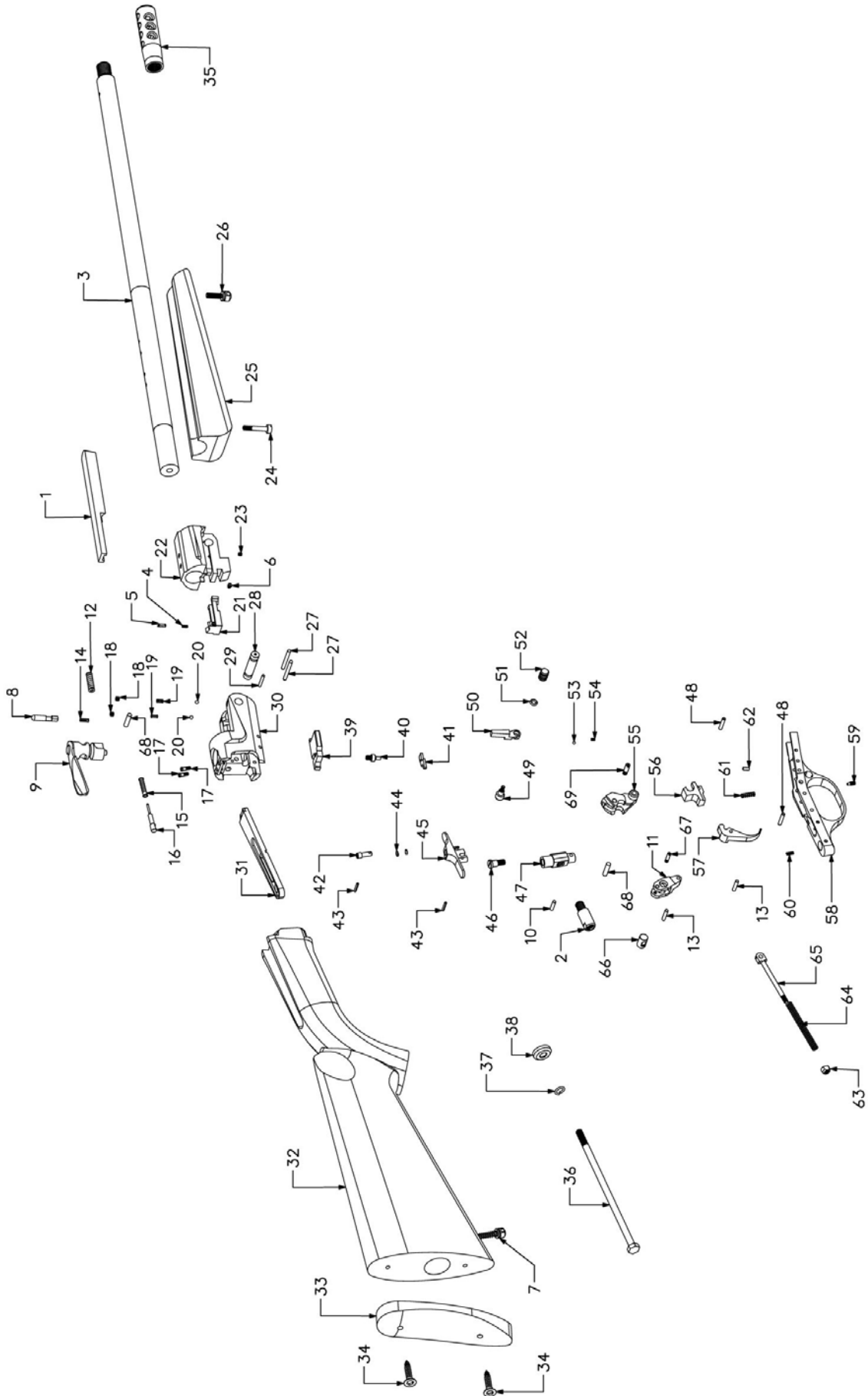
- Cock the hammer pushing forward the cocking lever till you can hear a click.



- The rifle is now ready to shoot
- In case it is necessary to disengage the rifle, push the button (42) and pull backward the cocking lever till you hear a click.
- To adjust trigger pull you need to work on regulating trigger screw (59)



OverTop Parts List:



OverTop

Cod. 500.033/.034/.035/.036/.037/.038

Pos.	Ref.	Description	Pos.	Ref.	Description
1	770351,	Bindella OVER TOP retrocarica	33	750086,	Calciolo
2	730606,	Codolo coda	34	120013,	Vite autof.5,5x25 testa svas.piana
3	710205,	Canna cal.223rem x 500mm	35	730683,	Rompifiamma OVERTOP
3	710.174	Canna cal.222Rem x 500mm	36	103020,	Vite M6x145 testa esagonale per fissaggio calcio
3	710.176	Canna cal.243win x 500mm	37	140015,	Rondella grower da 6
3	710.187	Canna cal.22hornet x 500mm	38	730590,	Rondella speciale
3	710.206	Canna cal.5,6x50 x 500mm	39	770296,	Rampone
3	710.175	Canna cal.6,5x57 x 500mm	40	730589,	Spina speciale per movimento leva sicura
4	720020,	Molla perno estrattore	41	770302,	Leva sicura
5	730600,	Perno estrattore (solo 223R-222R-243W)	42	730566,	Pulsante leva carica pistone
6	730601,	Grano estrattore	43	130031,	Spina el. 2x12 puls. armam. e contenim. leva armam.
7	730603,	Vite x legno portacing SPIRIT	44	720013,	Molla pulsante spintone
8	730572,	Perno apertura manicotto	45	770290,	Leva caricamento
9	770305,	Chiave	46	730562,	Vite coda
10	130023,	Rullino 3x11,8 perno coda	47	730561,	Spinotto bascula-sottoguardia
11	770291,	Leva carica spintone	48	130012,	Rullino 3x15,8 per nottolino - leva sicura
12	720083,	Molla chiave	49	730567,	Pulsante sinistro sicura
13	130077,	Rullino 3x13,8 grilletto e leva caric. spintone	50	770295,	Sicura
14	720001,	Molla per apertura perno manicotto	51	160018,	OR 1,78x3,69
15	720085,	Molla percussore	52	730568,	Pulsante destro sicura
16	730557,	Percussore	53	130052,	Sfera da 2,5 per la sicura
17	730588,	Vite fissaggio coda alla bascula	54	720063,	Molla per sicura
18	104008,	Grano M4x3 cacciavite punta piana	55	770293,	Cane
19	720005,	Molla per sfera perno bascula	56	770292,	Nottolino
20	130008,	Sfera da 3 per perno bascula	57	770294,	Grilletto
21	770304,	Estrattore per cal.243W-223R-222R	58	770286,	Sottoguardia
21	770415	Estrattore per cal.22Hornet-5,6x50-6,5x57	59	730578,	Vite regolazione grilletto
22	770297,	Manicotto retrocarica	60	720019,	Molla grilletto
23	104007,	Grano M3x3 punta piana per fermo estrattore	61	720012,	Molla nottolino
24	730581,	Vite anteriore astina OVER TOP 10-32UNF	62	130033,	Spina 2,5x6 per leva sicura
25	780056,	Astina retrocarica	63	730565,	Dado speciale
26	730605,	Vite x portacing SPIRIT retroc	64	720084,	Molla spintone
27	730569,	Spina speciale per sottoguardia-bascula	65	730563,	Spintone
28	730571,	Spinotto rotazione manicotto-bascula	66	730564,	Snodo
29	130050,	Spina 2,5x16 per ferma percussore	67	730599,	Spina per trascinare la leva caricamento
30	770284,	Bascula	68	130048,	Rullino 4x16 per cane e ferma chiave
31	770287,	Coda bascula	69	730598,	Spina per cane e spintone
32	780054,	Calcio			

LIMITED LIFE WARRANTY

Limited Life Warranty Declaration

Armi Sport products mentioned above are warranted against defects in materials and or workmanship or functioning problems.

Armi Sport will repair the firearm at no cost to you for as long as you own your armi Sport firearms if you are the original purchaser of the brand new gun.

Provided that no service is performed on your firearms by anyone other than Armi Sport Service Dept. and that you have registered your warranty with Armi Sport within 3 months from purchase on following web-site www.armisport.it

<p>If the original purchaser do not register the warranty within three months, the Limited Life Warranty will be void</p>
--

If you do not register your warranty, your purchase will still be covered under our Standard Warranty.

Limits of the Life Warranty

Such warranty will be void if the firearms:

- Has been modified (repairs or unauthorized modification, inadequate or incorrect)
- Damaged (improper use of the gun by the user)
- Failure to provide proper maintenance.

This Lifetime Limited Warranty does not cover repairs subject to wear and corrosion.

Unauthorized alterations or service not approved or performed by Armi Sport will also void all warranties.

Use of non standard ammunition will also void all warranties. Armi Sport reserves the unconditional right to inspect any firearms before making any repairs or adjustments under this warranty.

Use of the Lifetime Warranty

If your firearms requires service, before shipping you must contact Armi Sport to inform about the problem found.

We will issue a Repair Number (NdR).

The firearms has to be shipped in the original packaging including a proof of purchase date, Warranty sheet and NdR ref.

Damages occurred during transport caused by improper or inadequate packaging are not covered by warranty.

Standard Warranty

Standard warranty declaration 1 year only on parts not subject to wear

Limited Warranty extension

Armi Sport products mentioned above are warranted against defects in materials and or workmanship for one year from date of original new gun retail purchase.

Be sure and save your original retail receipt, you will need to verify the date of original retail purchase should your firearms require service.

Limits of standard warranty

Such warranty will be void in case the firearms:

- Has been modified (repairs or unauthorized modification, inadequate or incorrect)
- Damaged (improper use of the gun by the user)
- Failure to provide proper maintenance.

This Lifetime Limited Warranty does not cover repairs subject to wear and corrosion.

Unauthorized alterations or service not approved or performed by Armi Sport will also void all warrantees.

Use of non standard ammunition will also void all warrantees. Armi Sport reserves the unconditional right to inspect any firearms before making any repairs or adjustments under this warranty.

Use of the Lifetime Warranty

If your firearms requires service, before shipping you must contact Armi Sport to inform about the problem found.

We will issue a Repair Number (NdR).

The firearms has to be shipped in the original packaging including a proof of purchase date, Warranty sheet and NdR ref.

Damages occurred during transport caused by improper or inadequate packaging are not covered by warranty.

If during the period of the Standard Warranty or Limited Lifetime Warranty Armi Sport will acknowledge of an eventual functioning defect, the part will be replaced.

Local laws

This Warranty Certificate grants to the purchaser specific legal rights and may be valid other rights varying from State to State in United States, from province to Province in Canada and from Nation to Nation in the rest of the world.

This Warranty Certificate could be modified in the parts not compatible with local laws. According to such laws, some exclusions or limitation mentioned in this sheet could not apply.

For example some states in U.S. (included some Canadian provinces) could:

- Preclude the exclusions and limitation of this warranty not to limit the consumer's rights;
- Limit the manufacturer's possibility to act such restriction and limitation.
- Grant customer's rights, specify the limit of the implicit warranty that the manufacturer cannot avoid or not authorize the limitation on the limits of the present warranty.

This instruction manual must always follows the firearms also in case of owner's change.

Instruction to fill in the Warranty Service Request form.

Essential datas to require warranty service are:

Repair Number

Customers datas

Description of the problem found.

Missing one of such datas the firearms will NOT be repaired and sent back at customer's expenses.

Warranty Service Request Form

NdR : _____

**Write in the above space the NdR number
that Service Center will notify you**

1. Customers details:

- First Name and Surname: _____
- Address : _____
- Town : _____
- ZIP code : _____
- Phone : _____ Reacheable from hour ____ to hour

- Fax : _____ Reacheable from hour ____ to
hour _____
-

2. Product Informations:

- Warranty service request: _____
- Modelo : _____
- Serial Number : _____

3. Dealer:

- Date of purchase : _____
- Name of Dealer/Shop : _____
- Address : _____

4. Description of the problem:

- Description of the problem :

Documents to include: proof of purchase

Notes:.....
.....
.....
.....
.....
.....



Armi Sport

Armi Sport
di Chiappa Silvia & C Snc
Via Milano N°2 Azzano Mella (BS)
Tel. 030 9749065 Fax 030 9749232

www.armochiappa.com
email: info@armsport.com



Kimar Srl
Via Milano N°2 Azzano Mella (BS)
Tel. 030 9749065 Fax 030 9749232

www.armochiappa.com
email: info@armsport.com



Chiappa Firearms, Ltd.
530 N. Union Road
Dayton, OH 45427 USA
Tel. 937-954-1040

www.chiappafirearms.com
email: info@chiappafirearms.com