



**ARMI SPORT**  
di CHIAPPA SILVIA & C. SNC

## **OWNER'S MANUAL**

*Lever Action 1892 Rifle  
Lever Action 1892 Take Down Rifle  
Lever Action 1892 Carbine*

*Before removing the firearm from this package read & understand warnings and full instructions and precautions in this Owner's manual*

## **WINCHESTER 1892 SHORT HISTORY**

Designed by John M. Browning to replace the Model 1873, the 1892 Winchester rifle became one of the most popular lever actions of all time. It was based on his Model 1886, but reduced in size and chambered for the popular short cartridges used in the Winchester 1873, it was found to be mechanically stronger and cost less to produce than the '73, with a total 1,004,675 manufactured from 1892 through 1941 in both solid and takedown variations. The Model 1892 is the epitome of an easy shooting lever and saddle gun. Simplification of the elevator and feeding system gave the 1892 a much smoother action than previous models. This makes 1892 replicas very popular with Cowboy competitors. Armi Sport has developed this line of lever action for the sport of Cowboy Action Shooting. The most attention has been paid to the internal parts that are CNC machined from solid steel, all are interchangeable with each other, screw thread in inches not mm, all parts highly polished and hardened to allow the smoothest action.

# Index

Page

Warnings.....	4
1892 Lever Action models.....	7
Rifle nomenclature.....	9
General description.....	9
Instruction for use.....	10
Loading ammunitions in the magazine.....	10
Finger position when levering.....	11
Hammer in safety position.....	12
Adjusting rear sight.....	13
Adjusting front sight.....	14
Regulating screw for hammer spring.....	14
Serial number position.....	15
National Proof House markings.....	15
Caliber, distributor, manufacturer's markings.....	15
Take Down version.....	16
Magazine reduction removal.....	18
Ordinary and extraordinary maintenance.....	19
Problems - Causes – solutions.....	20
Spare parts.....	21
Exploded view 1892 LEVER ACTION .....	22
Parts list 1892 LEVER ACTION .....	23
Exploded view 1892 LEVER ACTION TAKE DOWN .....	24
Parts list 1892 LEVER ACTION TAKE DOWN .....	25
Exploded view 1892 LEVER ACTION CARBINE .....	26
Parts list 1892 LEVER ACTION CARBINE .....	27
Warranty.....	28
General notes.....	30

## Warnings

Armi Sport is not responsible for damage to objects caused by misuse of the gun or for injuries to person or animals, or in case of death, caused voluntarily or involuntarily by the gun user.

Armi Sport is not responsible for injuries caused by a bad maintenance, misuse of the gun, unauthorized modification or authorized but improperly made modification.

Armi Sport declines responsibility for any injuries or death of person or animals, objects caused by use of the gun in any manner.

The gun you own is a trustful 19<sup>th</sup> century replica of an 1892 Lever Action. Consequently the safety devices on it are limited to the technological knowledge of the period. Therefore the risks in using a gun like this are higher compared to a modern concept gun.

Now the better knowledge of your 1892 Lever Action may help to avoid serious injuries due to lack of safety devices.

Read the entire manual and learn to the use of the gun properly without ammunition.

You must understand the product that you are using. The life of the people close to you may depend on your safety.

If the manual is not clear, please contact the dealer where you bought the gun or call the distributor or the manufacturer.

At the end of this manual you will find our address and phone numbers.

All the guns are tested in the Armi Sport facility. To guarantee the gun is safe, it is sent to the National Proof House of Gardone Val Trompia for proof testing.

The Proof House test the firearm with heavy loads then checks the barrel, chamber and headspace to make certain the firearm is safe for use with standard factory ammunition.

The National Proof House will put their markings on the gun, according to the Italian law, certifying the gun is qualified and can be sold.

All disputes will be settled by the Court of Brescia, Italy.

**This manual should follow the gun also in case of  
Ownership's change.**

1. Read carefully instructions before use
2. Be aware that you are handling a firearm, therefore your knowledge and behaviour may affect your life and those of the people close to you. When used improperly a firearm can be dangerous and cause loss of life
3. Reading the manual and the careful examination of the gun are fundamental.
4. After use, leave firearm in a safe place, not accessible to others.
5. Keep guns and ammunitions out of reach of children.
6. Store gun in a clean dry place after use to avoid rust in mechanical parts that may cause serious problems in functioning.
7. After use it is always recommended to clean, oil and lubricate the gun with good quality oil. Read chapter on ordinary maintenance – page 16
8. The gun must be stored unloaded, check chamber, magazine and the action for ammunition placing in before storage.
9. There is no modern safety on this gun. The only safety is the hammer half cock, read chapter on use – page 7. Make sure it is unloaded during transporting. Mechanical safety devices can fail. Developing good safety habits is the best way to prevent accidents.
14. Keep away from fire or heating sources.
15. Incorrectly reloaded ammunition can cause serious personal injury and damage to the firearm. The use of reloaded ammo voids warranty on barrel and receiver.
16. Do not carry a loaded gun with a live round in the chamber. Always keep the muzzle pointed in a safe direction.
17. Always check to ensure that the barrel is free of obstructions before loading.
18. After use, clean with appropriate oil. Avoid grease or oil build up that can cause excessive pressure and result in serious personal injuries. Before using the gun again, inspect the barrel and chamber to make certain that there are no patches or other obstructions in the bore. Remove any oil residue with rod and patch before shooting.

19. Keep barrel, chamber and action free of rust. Rust in the barrel and chamber can cause excessive pressures resulting in serious injury. A rusted, pitted or eroded barrel should be replaced.
20. Always wear shooting glasses when shooting to protect your eyes.
21. Use hearing protection to prevent hearing loss from repeated exposure to gunfire.
22. Never alter any parts of your gun. Any alteration may cause serious personal injury and cancels warranty.
23. Only a qualified gunsmith may service the gun for repair or serious maintenance.
24. Pay attention during ejection of an empty case, it is up and slightly to the right, the empty shell could strike the shooter or bystanders.
25. Wash hands thoroughly after shooting and handling firearms to remove lead residues.
26. Use only ammunition for which the gun is chambered as indicated on the barrel. Use of different calibers may cause serious injury to the shooter or bystanders.
27. In case of misfire, keep the barrel pointed in a safe direction and manually extract the ammunition from chamber.
28. Do not use misfired cartridges.
29. Armi Sport declines any responsibility for misuse of the gun.
30. In case of alteration of the gun Armi Sport declines any civil and penal responsibility and will not refund any damage.
31. The user is responsible for injuries or damages caused to himself or to third person.
32. Do not use alcohol or drugs before or during shooting sessions and handling guns.
33. When shooting if you hear a weak detonation or different sound, stop shooting, unload the gun and verify immediately the barrel for damages or obstructions.
34. Never run with a loaded gun, do not cross a fence with a loaded gun without having your gun unloaded and in safety position.

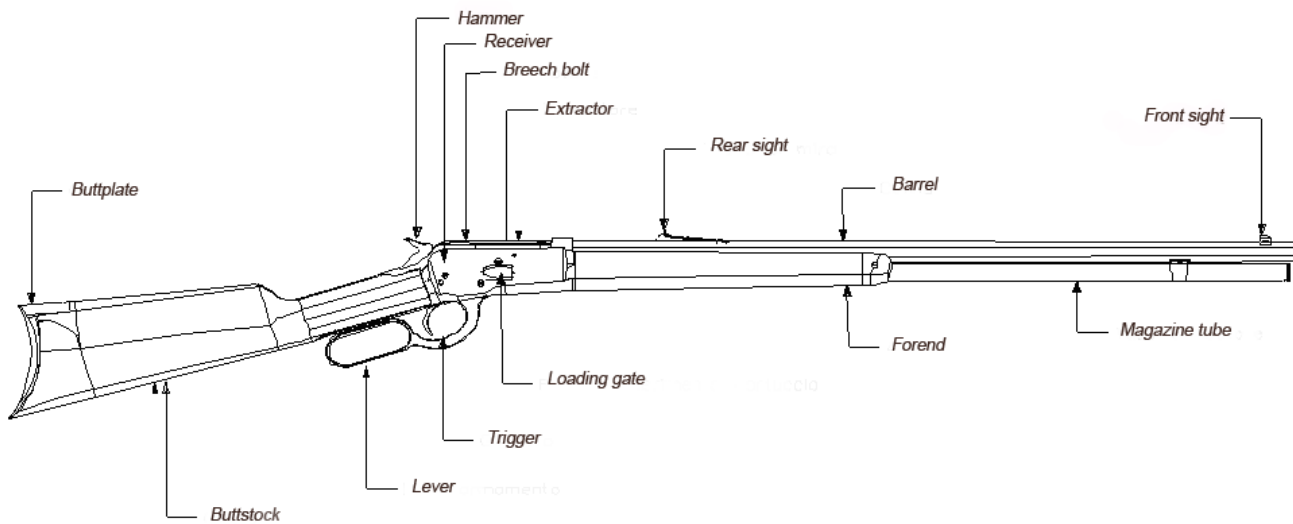
## Armi Sport is proud to introduce the range of our Lever Action 1892.

Item ref. Colourcase	Item ref. Black	Model	Barrel length	Barrel Style	Caliber
920.095	920.094	1892 Lever Action Rifle	24" 1/4 = 615	Octagonal	32 H&R Magnum
920.107	920.106	1892 Lever Action Rifle	24" 1/4 = 615	Octagonal	32-20 Win.
920.119	920.118	1892 Lever Action Rifle	24" 1/4 = 615	Octagonal	38 Special
920.131	920.130	1892 Lever Action Rifle	24" 1/4 = 615	Octagonal	357 Magnum
920.143	920.142	1892 Lever Action Rifle	24" 1/4 = 615	Octagonal	44 S&W Special
920.155	920.154	1892 Lever Action Rifle	24" 1/4 = 615	Octagonal	38-40 Win.
920.052	920.072	1892 Lever Action Rifle	24" 1/4 = 615	Octagonal	44-40 Win.
920.064	920.076	1892 Lever Action Rifle	24" 1/4 = 615	Octagonal	45 Colt
920.093	920.092	1892 Lever Action Rifle	20" = 508	Octagonal	32 H&R Magnum
920.105	920.104	1892 Lever Action Rifle	20" = 508	Octagonal	32-20 Win.
920.117	920.116	1892 Lever Action Rifle	20" = 508	Octagonal	38 Special
920.129	920.128	1892 Lever Action Rifle	20" = 508	Octagonal	357 Magnum
920.141	920.140	1892 Lever Action Rifle	20" = 508	Octagonal	44 S&W Special
920.153	920.152	1892 Lever Action Rifle	20" = 508	Octagonal	38-40 Win.
920.056	920.071	1892 Lever Action Rifle	20" = 508	Octagonal	44-40 Win.
920.063	920.075	1892 Lever Action Rifle	20" = 508	Octagonal	45 Colt
920.089	920.088	1892 Take Down Rifle L.A.	24" 1/4 = 615	Octagonal	32 H&R Magnum
920.101	920.100	1892 Take Down Rifle L.A.	24" 1/4 = 615	Octagonal	32-20 Win.
920.113	920.112	1892 Take Down Rifle L.A.	24" 1/4 = 615	Octagonal	38 Special
920.125	920.124	1892 Take Down Rifle L.A.	24" 1/4 = 615	Octagonal	357 Magnum
920.137	920.136	1892 Take Down Rifle L.A.	24" 1/4 = 615	Octagonal	44 S&W Special
920.149	920.148	1892 Take Down Rifle L.A.	24" 1/4 = 615	Octagonal	38-40 Win.
920.053	920.069	1892 Take Down Rifle L.A.	24" 1/4 = 615	Octagonal	44-40 Win.
920.066	920.074	1892 Take Down Rifle L.A.	24" 1/4 = 615	Octagonal	45 Colt
920.087	920.086	1892 Take Down Rifle L.A.	20" = 508	Octagonal	32 H&R Magnum
920.099	920.098	1892 Take Down Rifle L.A.	20" = 508	Octagonal	32-20 Win.
920.111	920.110	1892 Take Down Rifle L.A.	20" = 508	Octagonal	38 Special
920.123	920.122	1892 Take Down Rifle L.A.	20" = 508	Octagonal	357 Magnum
920.135	920.134	1892 Take Down Rifle L.A.	20" = 508	Octagonal	44 S&W Special
920.147	920.146	1892 Take Down Rifle L.A.	20" = 508	Octagonal	38-40 Win.
920.054	920.070	1892 Take Down Rifle L.A.	20" = 508	Octagonal	44-40 Win.
920.065	920.073	1892 Take Down Rifle L.A.	20" = 508	Octagonal	45 Colt
920.097	920.096	1892 Lever Action Carbine	20" = 508	Round	32 H&R Magnum
920.109	920.108	1892 Lever Action Carbine	20" = 508	Round	32-20 Win.
920.121	920.120	1892 Lever Action Carbine	20" = 508	Round	38 Special
920.133	920.132	1892 Lever Action Carbine	20" = 508	Round	357 Magnum
920.145	920.144	1892 Lever Action Carbine	20" = 508	Round	44 S&W Special
920.157	920.156	1892 Lever Action Carbine	20" = 508	Round	38-40 Win.
920.057	920.077	1892 Lever Action Carbine	20" = 508	Round	44-40 Win.
920.067	920.079	1892 Lever Action Carbine	20" = 508	Round	45 Colt

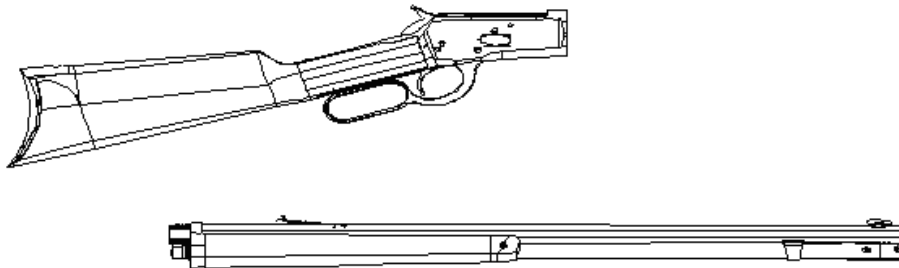
Each gun is submitted to strong testing to grant the highest security of the product.

On request we may add high quality hand engravings.

## Lever Action 1892 nomenclature



## Lever Action Take Down



The 1892 lever action rifle is a gun that left a mark in the American history at the end of 19<sup>th</sup> century.

Armi Sport has reproduced a replica as close as possible to the original gun.

Magazine tube located below the barrel can take 11 to 14 shells according to calibers. (In the European version the number is limited to five due to local legislation).

The safety (only half cock hammer) works the same as the original gun. Pay attention to safety.

The Take Down version is extremely easy to transport thanks to the length reduction and furthermore allows the change of caliber with an interchangeable barrel (see chart).

This rifle is very well known also for the use in western movies.



## Instruction for use

Firmly shoulder your gun before firing, hold the forend, having the buttplate well against your shoulder to reduce recoil.

Chamber the cartridge swinging the lever, then close it completely.

During this action, the shell will go from the magazine tube through the receiver and up in the barrel chamber.

Take aim and when on target, squeeze the trigger.

Now to extract the empty shell from the chamber, open the lever briskly.

The extractor will eject the shell that will be thrown up and slightly on the right side.

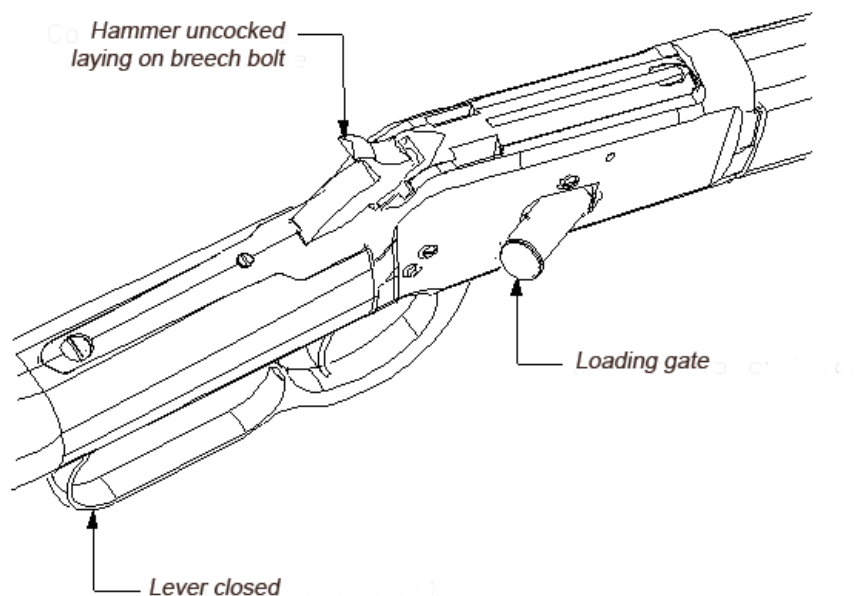
While the shell is ejected, a new cartridge is coming into the receiver and when the lever is closed the loading cycle is completed.

During this phase strictly follow the recommendations shown in “Warning” paragraph concerning the safety aspects for you and bystanders.

### *Loading the magazine*

First check the caliber of the ammunition to be the same as indicated on the barrel.

Failure to follow this instruction can result in severe damage to your gun and possible serious injury to yourself or others.



With the muzzle pointed in a safe direction, the lever must be completely closed to load the magazine. The hammer must not be cocked. With thumb securing hammer pull the trigger and slowly lower the hammer.

Press the loading gate inward with the tip of the first cartridge until all but the rim has entered the loading gate, then insert the next cartridge in the same manner, pushing the preceding cartridge into the magazine.

Repeat this procedure with each cartridge, but push the last cartridge past the end of the loading gate, allowing the gate to snap closed. Do not exceed the recommended capacity of the magazine.

## *Finger position when levering*

Put the fingers (we suggest middle, ring and little fingers) in the loading lever loop.

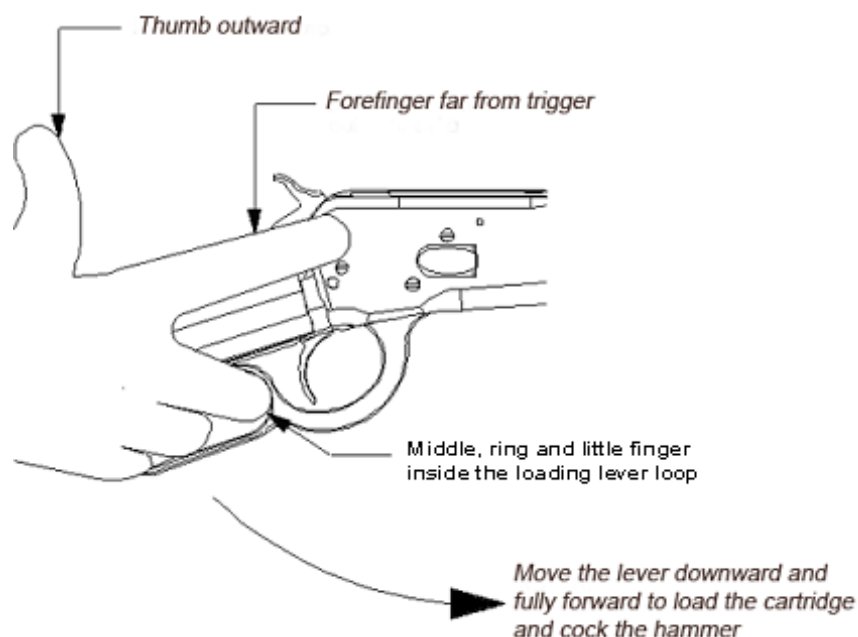
**IMPORTANT:** the forefinger must be always kept out of the triggerguard and away from the trigger not to risk an accidental discharge.

The thumb should be kept outward far from the hammer.

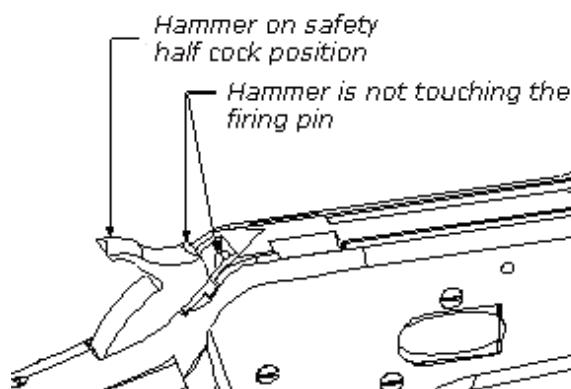
When the lever is completely forward you can see the shell going through the magazine to the receiver.

Close the lever also with firm and smooth action.

During this phase, the breech bolt has cocked the hammer.

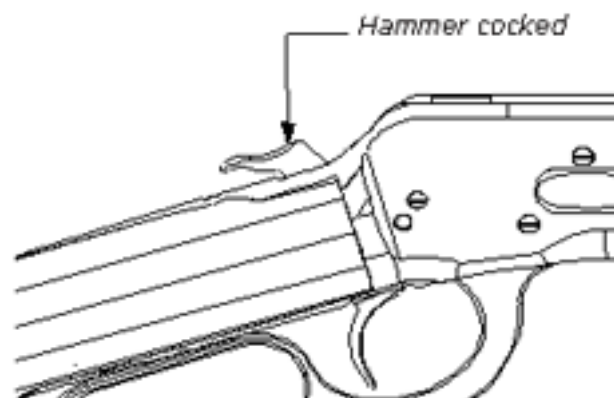


## *Hammer in safety position*



Hammer in safety position is strictly recommended when firing is not imminent and cartridge is chambered.

Hammer is at full cocked position when the action is cycled using the lever, now you can put in safety position. Place your thumb on the hammer and firmly hold it. While holding the hammer back, apply just enough pressure on the trigger to release it and gently lower the hammer. When the hammer is resting on



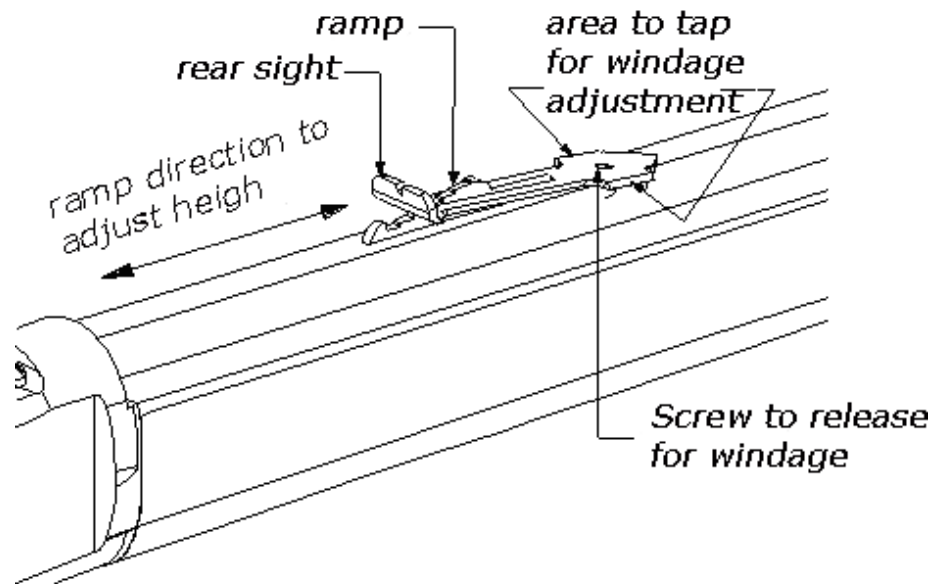
the firing pin pull it slightly rearward until you hear the half cock click. This is the original safety position, if you pull the trigger, the hammer will not be released. To start shooting you have to pull the hammer back to the full cock position. Now you're ready to shoot.

## ***Rear sight adjustment***

The rear sight is manually adjustable to shoot higher or lower by moving the rear sight ramp by one or more notches. This adjustment will allow the rear sight to be adjusted lower or higher.

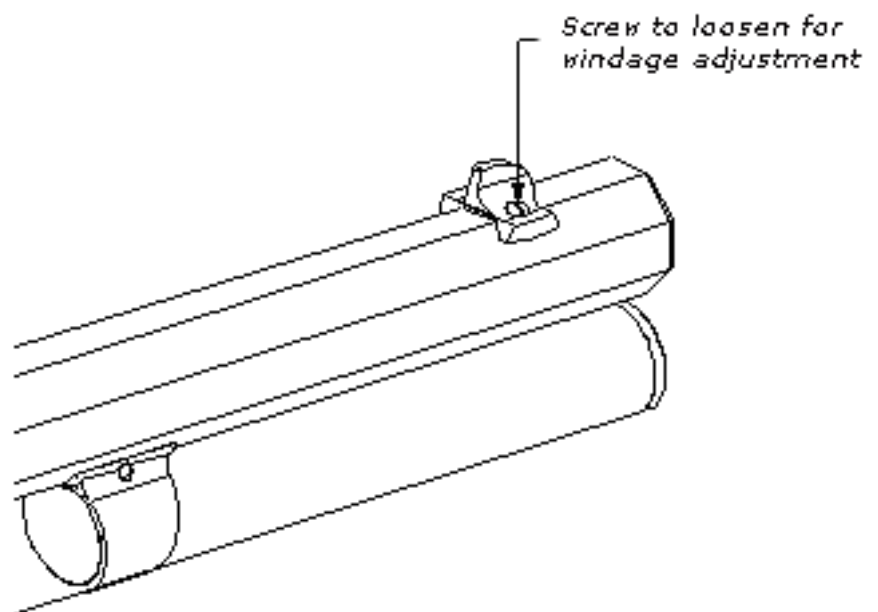
It's possible to adjust the rear sight for windage by following these steps:

- loosen the screw on the upper front side of the sight.
- Take a non-marking brass, plastic or fiber hammer and gently tap the rear sight base to the left or to the right according to the direction you wish to move the point of aim.
- Tighten the screw again.



## ***Front sight adjustment***

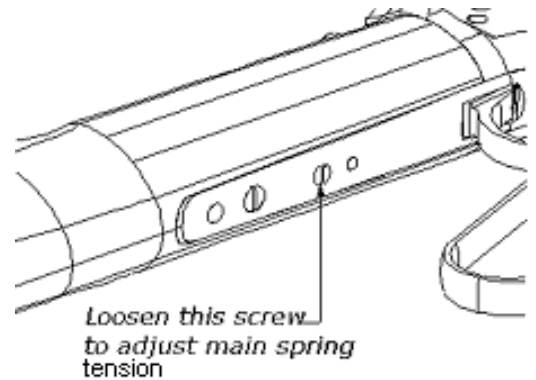
Front sight is also adjustable by loosening the specific screw. The front sight will move left or right direction. When placed in correct position, tighten the screw again.



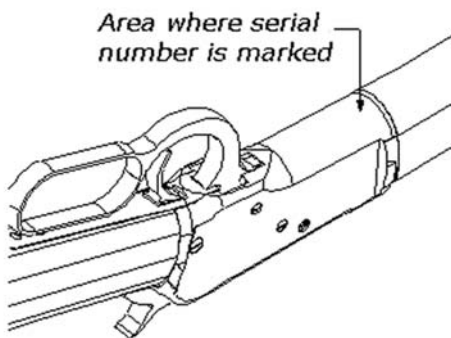
### ***Main spring regulating screw***

The power of the hammer percussion on the cartridge can be adjusted.

Use a screwdriver and work the screw shown in the drawing by tightening the screw the spring will be stronger. Loosening the screw the spring will be weaker.



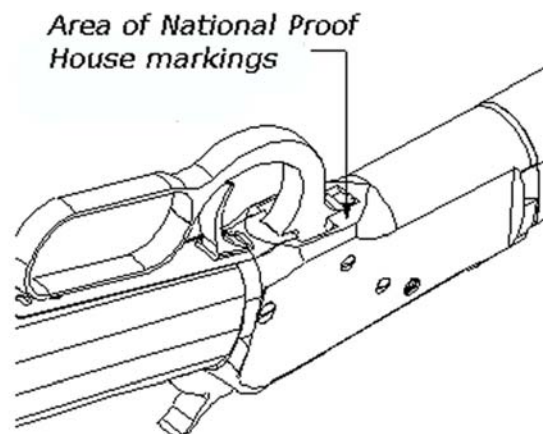
### ***Area where serial number is marked under the receiver***



The serial number of the gun is visible under the receiver. It must not be removed or modified for any reason.

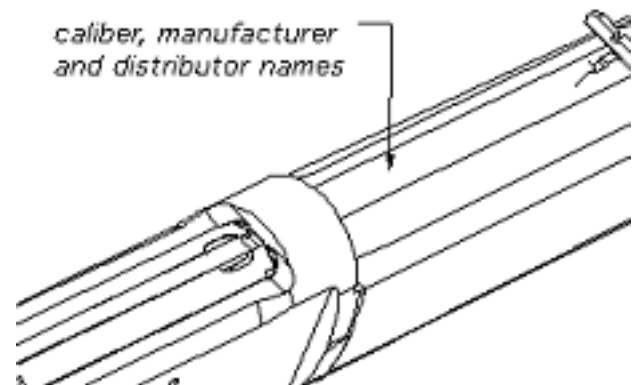
### ***Area marked by National Proof House***

Homologation marks of National Proof House are visible under the receiver near the lever.



## ***Area of caliber, name of manufacturer and distributor.***

Marks of distributor and manufacturer, caliber are visible in the upper area of the barrel close to rear sight.



## **Take Down version**

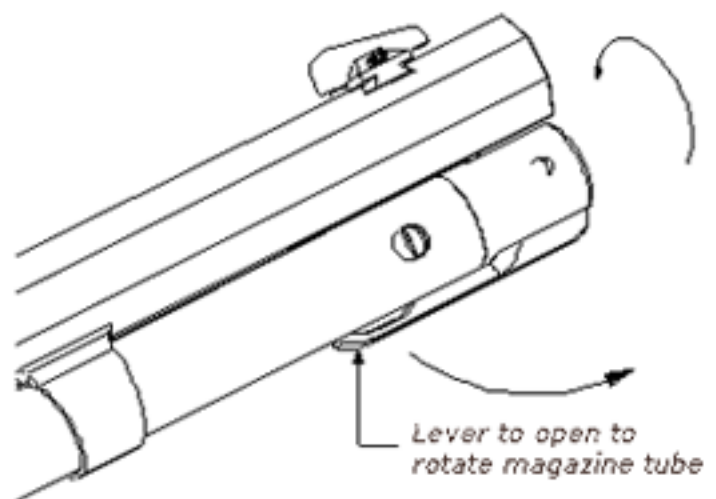
This version, previously described, maintain same way of use of the Lever Action 1892 but with barrel interchangeable.

Here is how to change or disassemble it.

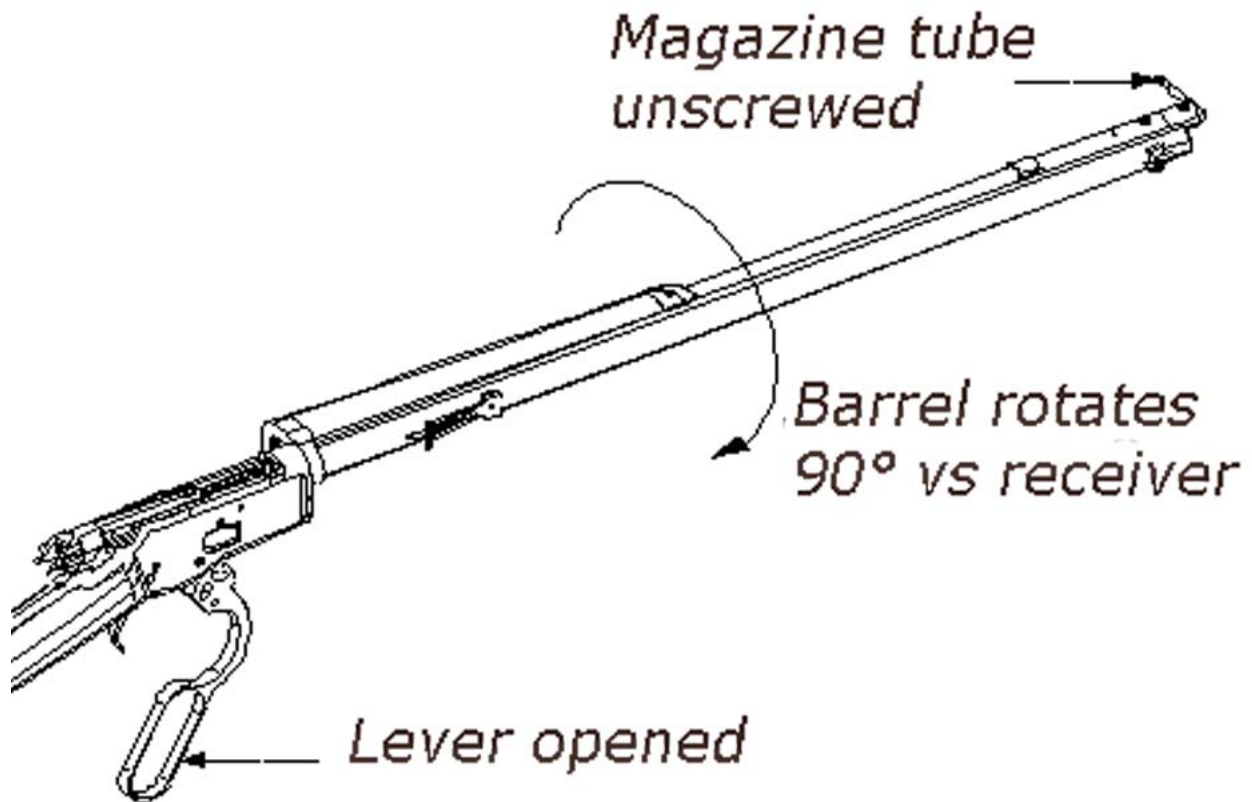
### ***1<sup>st</sup> phase: magazine tube disassembly***

Open the lever under the magazine tube.  
Rotate the lever counter clockwise.  
During this operation the tube will slip off.

When the tube is completely unscrewed, open the finger lever and leave it open.  
Note: light markings on the magazine tube resulting from disassembly are normal.



*2<sup>nd</sup> phase: barrel rotation 90°*



Hold the stock in one hand and hold the forearm with the other.

Twist firmly the forearm in clockwise direction so that the barrel and the forearm rotate 90°.

Now slip off the barrel.

To reassemble the rifle repeat the process in the reverse order, keeping the lever open during the operation.

## Magazine reduction removal

In Italy the Ministry of Interior has recently limited the maximum number of cartridges in the magazine for a rifle to be only five.

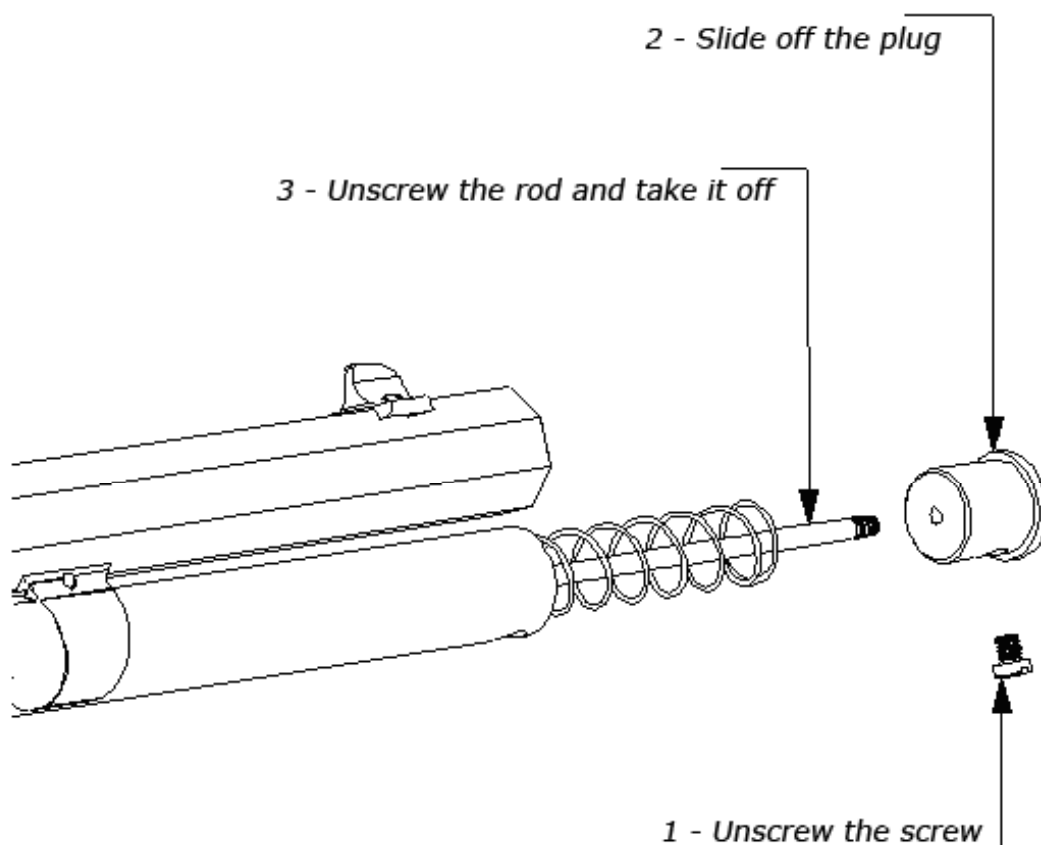
This rule has obliged us to use a **magazine reduction**.

**In other countries, where this limitation is not required, the device may be removed.**

Please check the drawing below carefully prior to proceeding with this operation. **WARNING: the magazine reduction** cannot and must not be removed in the countries where the law require this limit.

ARMI SPORT declines any responsibility on the violation of the device where there is such a rule, the person that will attempt with tampering will do it at his own danger and risk.

Please verify local legislation before any attempt of modification to the magazine capacity.



When the rod has been taken off, replace the plug in its seat.  
In Take Down version there are two screws to disassemble.

## **Ordinary and extraordinary maintenance**

- Before performing any cleaning procedures, always make certain there are no cartridges in the chamber, magazine or action.
- “Ordinary maintenance” refers to actions the user should take to keep the gun in good working conditions.
- “Extraordinary maintenance” means to replace broken parts and therefore disassemble the gun. In this case only authorized personnel may or qualified gunsmith should take action.
- You should clean your Model 1892 after every day of shooting and more often if it becomes excessively dirty. Your qualified gun shop will suggest which lubricant would be better to use.
- Check the action to be smooth, in case the lever becomes hard to work, check internally for residue or fragments of leads or other debris.
- If the problem persists your gun should be taken to a qualified gunsmith to be examined carefully.
- Do not use pure silicon or lanolin.
- After extended period of heavy use or inactivity, your gun should be taken to a qualified gunsmith to have the action disassembled for professional cleaning and lubrication.
- In the following pages you will find exploded views with parts list
- When ordering parts, it’s important to specify date of purchase, serial number, model, caliber and item reference of the part needed.
- If the gun has a problem that you cannot fix, DO NOT FIRE it but send it to an authorized center for a check-up
- Below are some suggestions to solve common malfunctions.



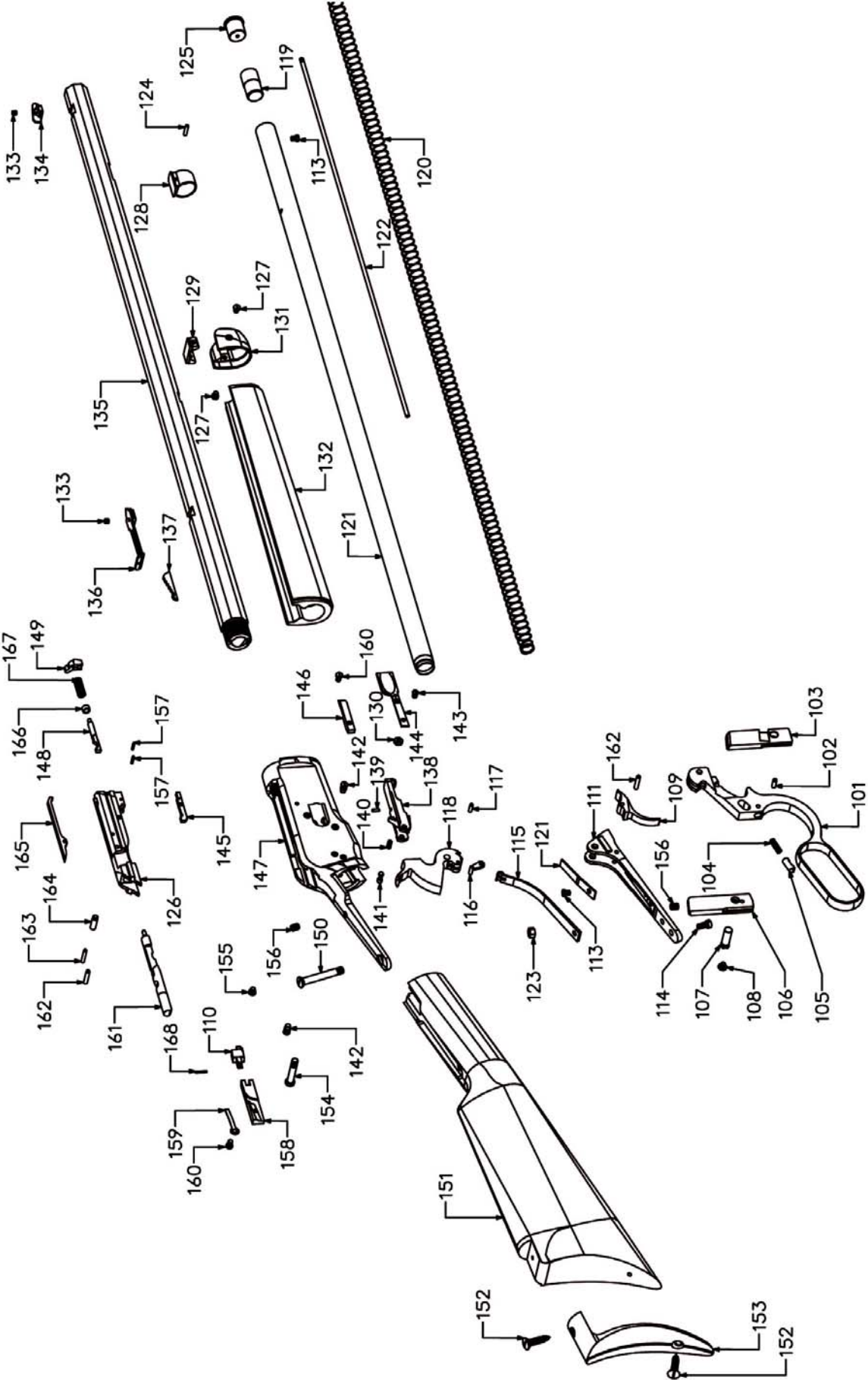
# Problems, causes, solutions

Problems	Causes	Solutions
1-The shell does not go into the magazine tube	<p>1- The lever is not fully closed.</p> <p>-The magazine tube is already full.</p> <p>-In Take Down version the magazine tube is not completely screwed in.</p>	<p>1-Close firmly the lever</p> <p>-Screw in magazine tube</p>
2- The shell does not go out of the magazine tube.	<p>2- In Take Down the magazine tube is not completely screwed in.</p> <p>-Magazine tube spring jamming</p> <p>-Foreign body inside the tube</p>	<p>2-Screw in magazine tube</p> <p>-Slightly hit the magazine tube to disengage it</p> <p>-Disassemble the tube, clean it from residual of powder or other foreign matter.</p>
3- The shell does not go into the chamber	<p>3-Wrong caliber, too large</p> <p>-Wrong maneuver in working the lever</p> <p>- barrel entrance damaged</p>	<p>3- Check the caliber on the barrel and use the correct one indicated</p> <p>-Remove the shell in incorrect position and repeat the operation paying attention that the lever will make a complete run forward to lift up correctly the shell for chambering</p> <p>-Remove any eventual residue or rust in the chamber</p>
4- The rifle doesn't shoot	<p>4-Wrong caliber</p> <p>-Defective primer in the cartridge</p> <p>-Lever not correctly closed</p> <p>-Weak hammer hit</p>	<p>4-Check the caliber on the barrel and use the correct ammunition</p> <p>-Manually remove the unexploded cartridge</p> <p>-Firmly close the lever</p> <p>-Increase main spring tension with the regulating screw. See specific chapter.</p>
5-The empty shell is not ejected	<p>5-The extractor is broken</p> <p>-Shell deformed and stuck</p> <p>-The ejector is broken</p>	<p>5-Change the extractor</p> <p>-If caliber is correct but the shell is stuck because deformed, the chamber could be damaged. It is necessary to bring the gun to a qualified gunsmith to verify the integrity of the barrel</p> <p>-The ejector must be changed, it is advisable a qualified gunsmith do it due to the complexity of the work.</p>
6-Take Down Version: the barrel doesn't rotate to be slipped off	<p>6-Magazine tube not completely un-screwed</p> <p>-The lever is not opened</p> <p>-Wrong rotation to disassemble the barrel</p>	<p>6-Un-screw completely and slip off the magazine tube</p> <p>-Check the lever is opened.</p> <p>-The rotation of the barrel must be anticlockwise.</p>

## Parts list exploded view 1892 Lever Action

Pos.	Item ref.	Q.ty	Description	Pos.	Item ref.	Q.ty	Description
101	770,213	1	Lever	136	790,18	1	Rear sight
102	730,462	1	friction stud stop pin	137	770,237	1	Rear sight leaf
103	770,216	1	Locking bolt, right	138	770,205	1	carrier
104	720,012	1	friction stud spring	139	130,029	1	carrier stop pin
105	730,461	1	friction stud	140	720,06	1	carrier stop spring
106	770,217	1	Locking bolt, left	141	730,479	1	carrier stop
107	730,464	1	locking bolt pin	142	730,478	2	carrier screw
108	730,465	1	locking bolt pin screw	143	730,468	1	loading gate screw
109	770,228	1	Trigger	144	O98,184	1	loading gate assembly
110	770,209	1	cartridge stop	145	770,231	1	ejector lever stop
111	770,226	1	Trigger plate	146	770,21	1	cartridge guide right
112	721,098	1	Trigger spring	147	770,232	1	Receiver/frame
113	730,472	2	Trigger spring screw	148	770,214	1	ejector pin
114	730,473	1	main spring screw	149	770,212	1	ejector
115	721,097	1	Main spring	150	730,471	1	receiver tang screw
116	770,229	1	Stirrup	151	780,046	1	butt stock
117	730,467	1	Stirrup pin	152	730,267	2	butt plate screw
118	770,227	1	Hammer	153	790,178	1	butt plate
119	730,483	1	magazine follower	154	730,466	1	hammer screw
120	720,071	1	magazine spring	155	730,469	1	lever- breech bolt hole screw
121	730,485	1	magazine tube	156	730,475	2	diopter base hole screw
122	730,494	1	magazine reduction rod	157	130,069	2	cartridge stop joint pin
123	150,001	1	nut	158	770,211	1	cartridge guide left
124	730,487	1	magazine ring pin	159	721,102	1	cartridge stop spring
125	730,486	1	magazine plug	160	730,477	2	cartridge guide screw
126	770,204	1	breech bolt	161	770,206	1	firing pin
127	730,480	2	Nose cap screw	162	730,460	2	firing-pin pin / trigger pin
128	770,238	1	magazine ring	163	730,459	1	extractor - breech bolt pin
129	790,181	1	Tennon	164	730,458	1	ejector - lever pin
130	730,492	2	loading gate nut	165	770,230	1	Extractor
131	790,184	1	Nose cap	166	730,457	1	ejector collar
132	780,047	1	Forend	167	720,07	1	ejector spring
133	730,481	2	Front sight screw octagonal barrel	168	730,587	1	carrier stop pin
134	770,247	1	Front sight for octagonal barrel				
135	710,141	1	Barrel				

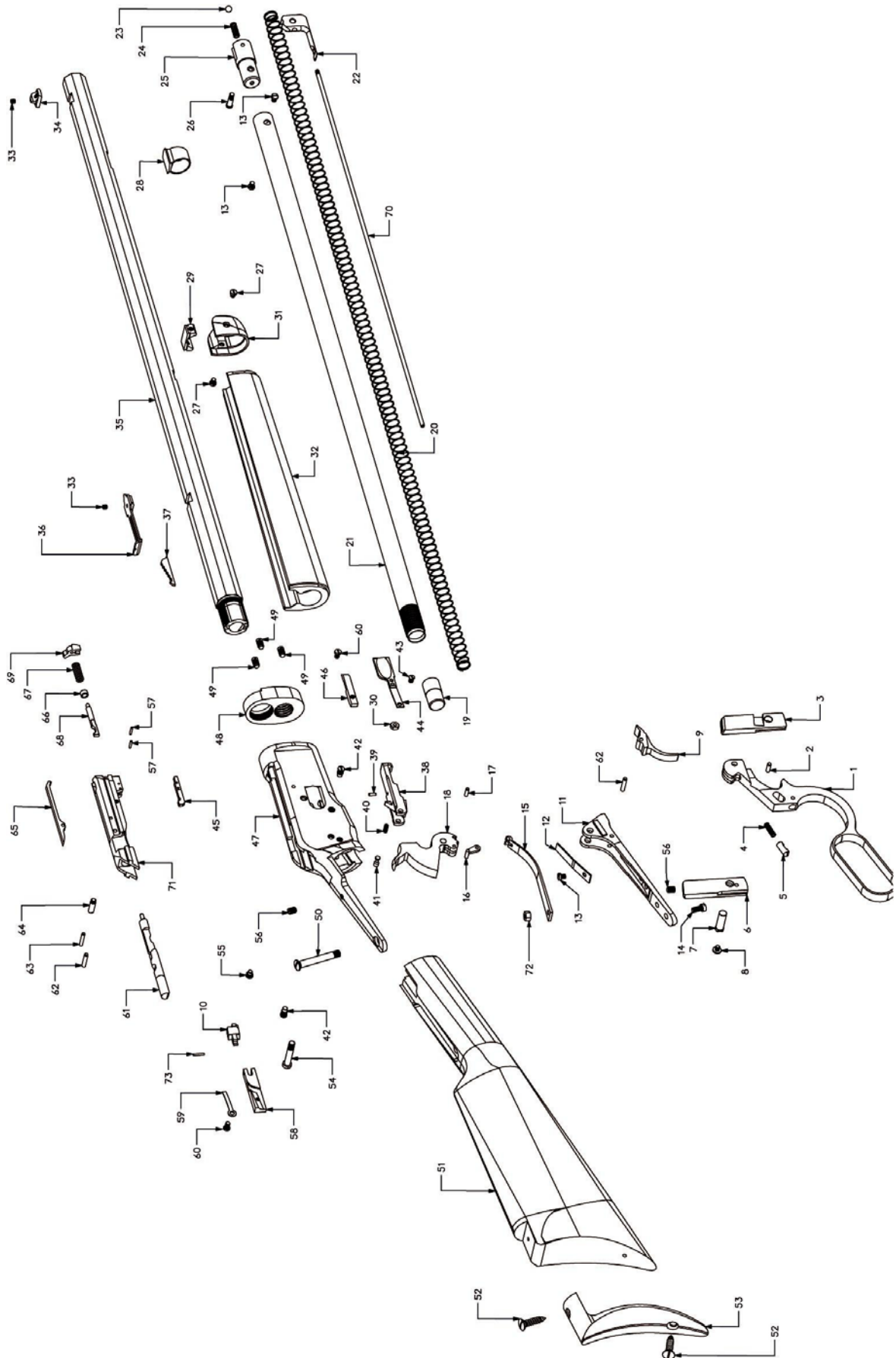
# EXPLODED VIEW 1892 LEVER ACTION



## Parts list exploded view 1892 Lever Action Take Down

Pos.	Item	Description	Pos.	Item	Description
1	770,213	Lever	36	790,180	Rear sight
2	730,462	friction stud stop pin	37	770,237	Rear sight leaf
3	770,216	Locking bolt, right	38	770,205	carrier
4	720,012	friction stud spring	39	130,029	carrier stop pin
5	730,461	friction stud	40	720,060	carrier stop spring
6	770,217	Locking bot, left	41	730,479	carrier stop
7	730,464	locking bolt pin	42	730,478	carrier screw
8	730,465	locking bolt pin screw	43	730,468	spring cover screw
9	770,228	Trigger	44	O98,184	Loading gate assembly
10	770,209	cartridge stop	45	770,231	ejector lever stop
11	770,226	Trigger plate	46	770,210	cartridge guide right
12	721,098	Trigger spring	47	770,215	Receiver/frame
13	730,472	Trigger spring screw	48	770,219	receiver addition take down
13	730,472	magazine plug screw	49	730,470	receiver addition take down screw
13	730,472	magazine plug screw	50	730,471	receiver tang screw
14	730,473	main spring screw	51	780,046	butt stock
15	721,097	Main spring	52	730,267	butt plate screw
16	770,229	Stirrup	53	790,178	butt plate
17	730,467	Stirrup pin	54	730,466	hammer screw
18	770,227	Hammer	55	730,469	lever- breech bolt hole screw
19	730,483	magazine follower	56	730,475	diopter base hole screw
20	720,071	magazine spring	57	130,069	cartridge stop joint pin
21	730,448	Loading tube	58	770,211	cartridge guide left
22	770,221	magazine disassembling lever	59	721,102	cartridge stop spring
23	130,045	Sphere diam. 5	60	730,477	cartridge guide screw
24	720,035	magazine disassembling lever spring	61	770,206	firing pin
25	730,449	magazine plug	62	730,460	firing-pin pin / trigger pin
26	730,484	magazine disassembling lever screw	63	730,459	extractor - breech bolt pin
27	730,480	Nose cap screw	64	730,458	ejector - lever pin
28	770,222	magazine ring	65	770,230	Extractor
29	790,181	Tennon	66	730,457	ejector collar
30	730,492	loading gate nut	67	720,070	ejector spring
31	790,184	Nose cap	68	770,214	ejector pin
32	780,047	Forend	69	770,212	ejector
33	730,481	Front sight screw - octagonal barrel	70	730,494	magazine reduction rod
33	730,481	Rear sight base screw - octagonal barrel	71	770,204	breech bolt
34	770,247	Front sight for octagonal barrel	72	150,001	nut
35	710,134	Barrel 24 1/4" 44/40 caliber	73	730,587	cartridge stop pin

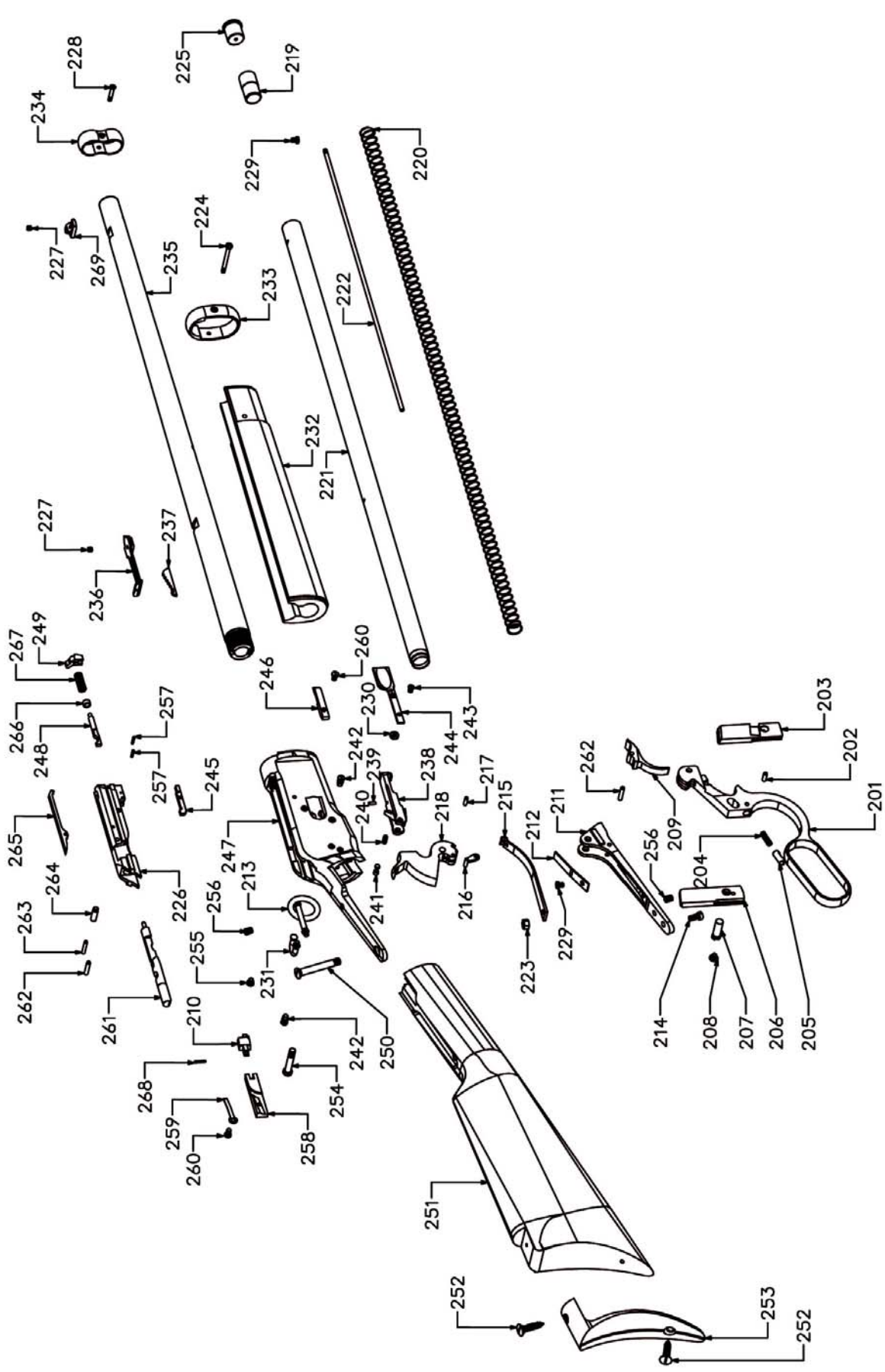
# EXPLODED VIEW 1892 LEVER ACTION TAKE DOWN



## Parts list exploded view 1892 Lever action carbine

Pos.	Codice	Q.ty	Description	Pos.	Codice	Q.ty	Description
201	770,213	1	Lever	236	790,186	1	Rear sight
202	730,462	1	friction stud stop pin	237	770,237	1	Rear sight leaf
203	770,216	1	Locking bolt, right	238	770,205	1	carrier
204	720,012	1	friction stud spring	239	130,029	1	carrier stop pin
205	730,461	1	friction stud	240	720,060	1	carrier stop spring
206	770,217	1	Locking bot, left	241	730,479	1	carrier stop
207	730,464	1	locking bolt pin	242	730,478	2	carrier screw
208	730,465	1	locking bolt pin screw	243	730,468	1	spring cover screw
209	770,228	1	Trigger	244	O98,184	1	loading gate assembly
210	770,209	1	cartridge stop	245	770,231	1	ejector lever stop
211	770,226	1	Trigger plate	246	770,210	1	cartridge guide right
212	721,098	1	Trigger spring	247	770,255	1	Receiver/frame
213	730,509	1	saddle ring	248	770,214	1	ejector pin
214	730,473	1	main spring screw	249	770,212	1	ejector
215	721,097	1	Main spring	250	730,471	1	receiver tang screw
216	770,229	1	Stirrup	251	780,046	1	butt stock
217	730,467	1	Stirrup pin	252	730,267	2	butt plate screw
218	770,227	1	Hammer	253	790,178	1	butt plate
219	730,483	1	magazine follower	254	730,466	1	hammer screw
220	720,071	1	magazine spring	255	730,469	1	lever- breech bolt hole screw
221	730,511	1	Loading tube	256	730,475	2	diopter base hole screw
222	730,494	1	magazine reduction rod	257	130,069	2	cartridge stop joint pin
223	150,001	1	nut	258	770,211	1	cartridge guide left
224	730,507	1	rear band screw	259	721,102	1	cartridge stop spring
225	730,486	1	magazine plug	260	730,477	2	cartrdige guide screw
226	770,204	1	breech bolt	261	770,206	1	firing pin
227	730,481	1	Front sight screw	262	730,460	2	firing-pin pin / trigger pin
228	730,508	1	front band screw	263	730,459	1	extractor - breech bolt pin
229	730,472	2	trigger screw	264	730,458	1	ejector - lever pin
230	730,492	2	loading gate nut	265	770,230	1	Extractor
231	730,510	1	saddle ring holder	266	730,457	1	ejector collar
232	780,047	1	Forend	267	720,070	1	ejector spring
233	770,253	1	rear band	268	730,587	1	cartridge stop pin
234	770,254	1	front band				
235	710,153	1	Barrel 20" 44/40 caliber				

# EXPLODED VIEW 1892 LEVER ACTION CARBINE



## Spare parts

The 1892 Lever Action line is wide and with several different combination

It's important to use the following chart to order spare parts.

Use the drawing corresponding to the model of 1892 Lever Action you own.

*Model _____		Year of purchase _____			
Item ref. ( to find in the chart at pages 6-7 of the manual ) _____					
Number of part (See expl. view)	Caliber	**Barrel style	***Barrel length	****Color	Number of pcs.
*Lever Action 1892 Lever Action 1892 Take Down		**Octagonal Round	*** 20" (508 mm ) 24 ¼"(615 mm)	****Colour case Black	
Notes: _____					
_____					
_____					
_____					



## **Armi Sport limited warranty**

### Limited warranty declaration

*1892 Lever Action	1 year
*1892 Lever Action Take Down	1 year
*1892 Lever Action carbine	1 year

\*In all different calibers and variations seen on the chart shown at pages 6-7 of this manual.

### Limited warranty extension

Armi Sport guarantee to the customers that Armi Sport products above specified do not show any manufacture defect and will work for the specified time, starting from date of purchase. The customer should keep a proof of purchase.

Armi Sport limited warranty covers only normal use of the product and would not apply in any case of:

Poor maintenance or modification of any kind and improper use of the product.

In case of use of non original parts the warranty will be void or any assistance contract made by the customer will be void.

Use of reloaded ammo voids warranty on barrel and action in regards to damage resulting from pressures.

If during warranty period Armi Sport will find a part to be defective, it will be replaced.



## WARRANTY CERTIFICATE

Lever Action Model \_\_\_\_\_

Date of purchase \_\_\_\_\_

Serial number of the gun \_\_\_\_\_

Name of the gunshop- reseller \_\_\_\_\_

Address of reseller \_\_\_\_\_

---

### Owner's datas

First Name \_\_\_\_\_ Surname \_\_\_\_\_

Street \_\_\_\_\_ Number \_\_\_\_\_

Town \_\_\_\_\_ ZIP \_\_\_\_\_ STATE \_\_\_\_\_

## **A NOTE ABOUT HISTORICAL FIREARM DESIGNS**

Armi Sport proudly manufactures finely crafted firearms product produced to famous historical designs. These firearms are manufactured using precise modern machinery and high quality modern materials. They are faithful reproductions of firearms originally designed in the nineteenth century; however, in choosing to own or use historical firearms the user has to recognize that there have been significant advances in firearms design and safety in the hundred years or more since these firearms were designed. Armi Sport manufactures these guns not as state of the art firearms, but as historically significant firearms for the collector. It is vital that the user be familiar with his firearm and possible safety risks that may be present in the design. Most significantly, the user should realize that the designs of safeties - or even the presence of adequate safeties - vary significantly on historical designs and do not offer the protection against accidental discharge that modern firearms safeties achieve.

Similarly, any firearm that is designed to be fired using black powder (or Pyrodex) has basic risks not found in modern cartridge firearms. Black powder is a dangerous explosive and has to be used and handled with extreme caution. The slightest miscalculation or carelessness with black powder firearms can result in serious injuries to the user.

The frame and barrel are not warranted for damage caused by reloaded ammunition



**Armi Sport di Chiappa Silvia & C Snc**

Via Milano N°2 Azzano Mella (BS) Italy

Tel. 030 9749065 Fax 030 9749232

[www.armichiappa.com](http://www.armichiappa.com)

email: [info@armisport.com](mailto:info@armisport.com)