

Charles Daly®

INSTRUCTION
MANUAL
FOR
SEMI-AUTO
SHOTGUNS

READ THE INSTRUCTIONS AND
WARNINGS IN THIS MANUAL CAREFULLY
BEFORE USING THIS FIREARM

FIREARMS SAFETY

At Charles Daly, we believe that safe firearms handling is the most important consideration of anyone who uses firearms and ammunition. Please take a few minutes to thoroughly read and understand this instruction manual, the SAAMI "Firearms Safety Depends on You" pamphlet and the NSSF publication "Firearms Responsibility in the Home", all included with this shotgun.



You should completely understand this manual before you practice loading, unloading and firing with live ammunition.

Remember, firearms safety does depend on you!

CAUTION

Take note of the following warnings on gun handling before attempting to use your shotgun:

- Don't rely on your gun's safety. Treat every gun as if it were loaded and ready to fire.
- Never cross a fence, climb a tree or jump a ditch with a loaded gun.
- Never load or carry a loaded gun until you are ready to use it.
- Watch your muzzle so the other fellow doesn't have to.
- Keep guns and ammunition separately and in locked storage.
- Don't shoot unless absolutely sure of your target and what is beyond it.
- Know the range of your gun.
- Always wear eye and protection when shooting.
- Always be sure the barrel is clear of obstructions, and only carry ammunition specifically intended for the gun you are using.
- Do not alter or modify your gun. Have gun checked regularly by a competent gunsmith.

UNPACKING YOUR SHOTGUN



Fig. 1

When you remove the shotgun from its box, you will see the 2 major components shown above, the barrel and the shotgun (Fig. 1). Your VR-MC shotgun should come with 3 choke tubes, one installed in the barrel and 2 extra tubes, along with a choke tube wrench and a spare O-ring. You should have an instruction manual, a SAAMI safety booklet and a NSSF pamphlet. A gunlock is also included for your use. (Please read the instructions included with your gunlock for proper use of this added security and safety device).

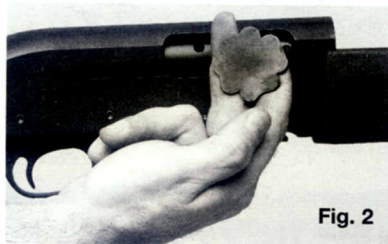


Fig. 2

The bolt handle of your shotgun is protected from damage by a rubber pad. Simply slide your fingers under the rubber pad as shown in Fig. 2 and lift the pad completely off the bolt handle.

MANUAL SAFETY

Your shotgun is equipped with a manual trigger block safety button located in the trigger guard, just behind the trigger. When the button is pushed from the left side of the receiver, protruding to the right side, the trigger is blocked and the safety is on as shown in Fig. 3



Fig. 3

When the button is pushed from the right side of the receiver, protruding to the left side, you will see a red circle on the safety button indicating the safety is off and the shotgun is in an unsafe condition, ready to fire if the trigger is pulled, as shown in Fig. 4.



Fig. 4

WARNING

The manual safety of your shotgun should always be on except for when you are ready to pull the trigger and fire the shotgun. This will help insure that no accidental discharges take place. You should only have the safety off, and be able to see the red line on the left side of the receiver, when you are ready to shoot.

DIRECTIONS FOR ASSEMBLY



Holding the shotgun as shown in Fig. 5 above, use your finger(s) to pull the bolt handle fully to the rear until the bolt locks in its open position.



Unscrew the magazine cap from the front of the forend in a counter clockwise direction as shown in Fig. 6.

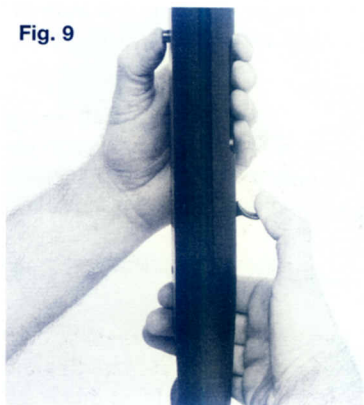


Remove the forend by sliding it forward, off the shotgun as shown in Fig. 7. Note that the forend may be tight to the shotgun when doing this.

In order to properly insert the barrel into the receiver it is necessary to release the bolt from its locked position in the receiver. As the bolt is under spring tension, care must be given to properly releasing the bolt so that components do not come off the end of the magazine tube during this procedure. In Fig. 8, you will see the location of the action release button.



Refer to Fig. 9. While holding the bolt handle with your right hand, depress the action release button with your left thumb and allow the bolt to go forward slowly with your right hand until the bolt handle reaches the end of the receiver.



Carefully align the barrel with the receiver and the end of the magazine tube, as shown in Fig. 10 and begin to pull back on the bolt handle as you insert the barrel into the receiver.

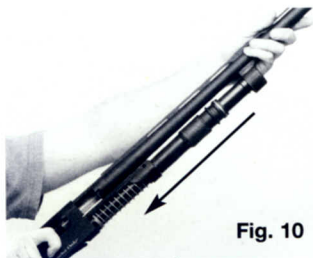


Fig. 10

Continue pulling the bolt handle back while inserting the barrel until the bolt is in its rear locked position and the barrel is completely seated in the receiver. The barrel should mate to the receiver at this point in the assembly as shown in Fig. 11.

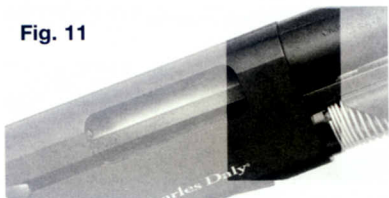


Fig. 11

Slide the forearm over the magazine tube assembly as shown in Fig. 12, bringing it to rest against the receiver.



Fig. 12

There are two small tabs in the forearm that will align with the small cutout in the front end of the receiver. The forearm is in its proper position when it is seated completely against and around the receiver as shown in Fig. 13.



Fig. 13

Reattach the magazine cap to the magazine tube by rotating it in a clockwise direction until it is firmly screwed down against the forearm as shown in Fig. 14.



Fig. 14

The shotgun is now completely assembled. To close the bolt/action, depress the action release button on the left side of the receiver as shown in Fig. 15. Check, to be sure no fingers or other objects are located near the bolt as it closes. Put the safety in the "ON" position!



Fig. 15

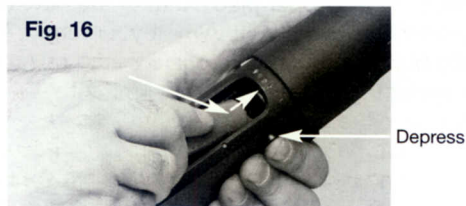
CAUTION

Do not load your shotgun until you are ready to use it and unload it immediately after you have finished shooting. Always carry your shotgun with the safety engaged. The user of this shotgun, and all firearms, should never depend on the manual safety, or any other mechanical device, to make a firearm completely safe. It is your responsibility to always keep the muzzle of your firearm pointed in a safe direction.

LOADING

When loading, keep the safety on at all times and keep the muzzle pointed in a safe direction.

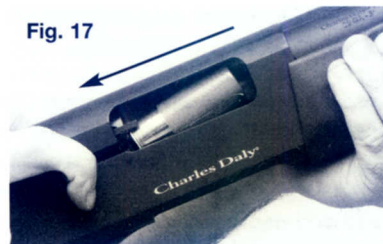
To load the magazine tube, turn the shotgun upside down and depress the action release button. This will allow the cartridge lifter to move into the receiver well. Insert your cartridge and push it into the magazine tube until it is held in place in the tube by the cartridge latch. As you insert each cartridge you will hear a "click" that tells you the latch has closed behind the cartridge and you can now load the next shell. See Fig. 16. The action release button should be held in while loading or it will have to be depressed after each cartridge is loaded.



Note: Your shotgun is equipped with a plug that limits the number of cartridges that your magazine tube will hold to 2 shells. Removal of the plug is shown in this manual in the DISASSEMBLY section.

To load a cartridge into the chamber, pull back on the bolt handle. As you pull the bolt handle fully rearward, a cartridge will come out of the magazine tube and the cartridge carrier will raise the shell aligning it with the chamber. Release the bolt handle and the forward travel of the bolt will chamber the first round. See Fig. 17. Never allow your fingers or another object to come in contact with the trigger while loading.

Fig. 17



Your shotgun is now loaded and ready to fire if the safety is moved to the OFF position.

To fire the shotgun, hold the shotgun firmly with both hands and the proper placement of the buttstock to your shoulder and cheek. Aim at your target. Press the safety button into the OFF position and pull the trigger. The system that operates your semi-auto will fire the cartridge in the chamber, eject the fired case and load the next cartridge into the chamber, each time that you pull the trigger. Be prepared to either fire your next shot or engage the safety in the ON position after firing.

UNLOADING

Before unloading, make sure the safety is in the ON position. And keep the muzzle pointed in a safe direction. Never allow your fingers or another object to come in contact with the trigger during unloading.

Pull the bolt handle completely to the rear and this will eject any cartridge that is remaining in the chamber. Close and open the bolt repeatedly to chamber and then eject all cartridges that may be remaining in the magazine tube or chamber.

Visually check to make sure that no cartridges may be remaining in the chamber or magazine tube and depress the bolt release button to close the action/bolt.

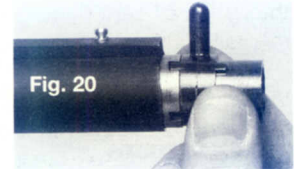
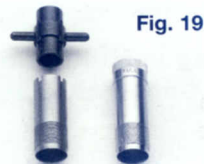
If you wish to unload the magazine without cycling the bolt repeatedly, turn the shotgun over, depress the action release button, insert your finger into the magazine well and depress the interceptor latch. See Fig. 18. This will allow cartridges remaining in the magazine tube to bypass the latch and allow the removal from the tube one at a time. Repeat this procedure until the magazine tube is completely empty.

Fig. 18



Interchangeable Choke Tubes

All Charles Daly semi-auto hunting type shotguns, except slug models, come with 3 interchangeable internal choke tubes and a choke tube wrench. All competition models come with 3 interchangeable external choke tubes. You have the ability to modify your pattern density by installing interchangeable chokes of different constrictions. See Fig. 19.



Your VR-MC barrel is threaded for your choke tubes. For internal tubes, insert the wrench into the slotted portion of the tube and turn counterclockwise to remove it from the barrel and turn clockwise to install it. Fig. 20.

For external tubes, simply grasp the knurled end of the tube and twist it off or on as necessary.

WARNING

When installing a choke tube in your barrel, make sure that the tube is completely screwed down tight in the barrel. Never discharge your shotgun without the choke tubes installed as this may damage the barrel. Choke tubes may become loose after extended firing and should be checked frequently for tightness.

STEEL SHOT WARNING

Steel shotshells should only be used with modified tubes or tubes with less constriction than modified tubes. Do not fire steel shot through Full choke tubes or tubes with greater constriction than Full.

Choke Tube Markings

Your internal interchangeable choke tubes are marked with notches at the end of the tubes to indicate the choke type for that particular tube. Your external tubes are marked just below the knurled rim of the tube. Please refer to the chart below to identify which chokes are supplied with your shotgun. Chokes shown in the chart that are not supplied with your shotgun are available from our parts department.

Semi-Auto & Pump Shotgun Multi-Choke Tube Markings and Constrictions

INTERNAL TUBES

Name	Constriction	Notches
Cylinder	.000"	
Skeet	.005"	
Improved Cylinder	.010	
Modified	.020	
Improved Modified	.025	
Full	.035"	

EXTERNAL / EXTENDED TUBES

Name	Constriction	Markings
Cylinder	.000"	CYL
Skeet I	.005"	SK I
Skeet II	.008"	SK II
Improved Cylinder	.010"	IC
Light Modified	.015"	LM
Modified	.020"	M
Improved Modified	.025"	IM
Full	.035"	F
Extra Full	.040"	XF

DISASSEMBLY

Before disassembling your shotgun, be absolutely certain that it is unloaded. As an added precaution, visually check the chamber and the magazine tube for any cartridges. Put the safety in the on position.

Pull the bolt handle to its full rearward position, locking the action open. Remove the magazine tube cap by unscrewing it counter clockwise, fig. 21.



Fig. 21



Fig. 22

Remove the forearm by sliding it away from the receiver and off the end of the magazine tube, Fig. 22.

Remove the barrel by pulling the barrel out of the receiver assembly and out from around the magazine tube. Releasing the action may assist you in removal of the barrel, see Fig. 23.

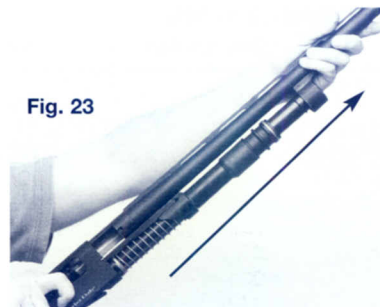
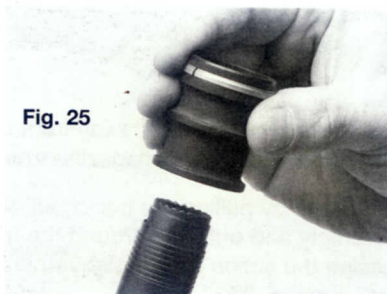


Fig. 23

Remove the O ring, fig. 24.



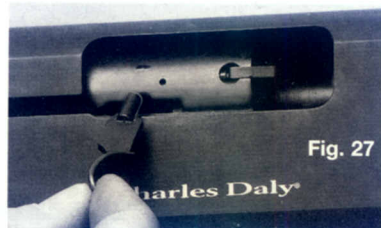
Remove the gas piston, fig. 25.



Remove the piston buffer, fig. 26.



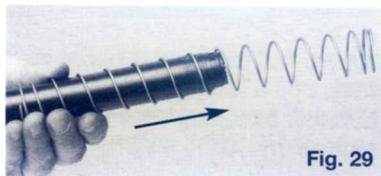
You can remove the bolt handle by moving the action bar rearward under spring tension with your left hand, until the bolt moves enough for you to align it with the cutout hole in the bolt that receives the handle. At this point, the bolt handle can be freely removed from the bolt. See fig. 27. Remember that the bolt is still under tension from the spring.



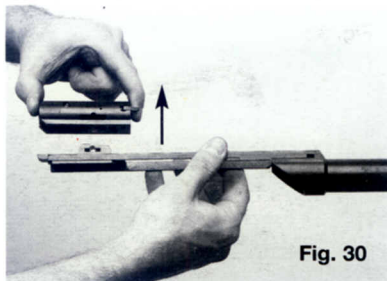
After you remove the bolt handle, the entire action bar/bolt assembly can be removed from the shotgun by pulling the action bar off the end of the magazine tube. See fig. 28.



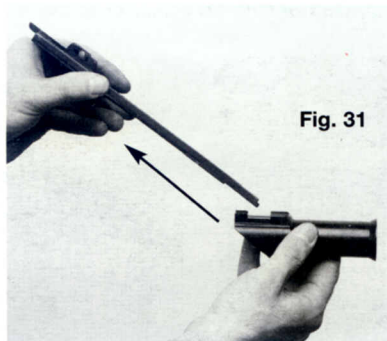
Remove the magazine spring from around the magazine tube, fig. 29.



The action bar, action bar sleeve and bolt assembly can be separated for cleaning. Lift the bolt off the action bar by simply pulling it up and off the bar, fig. 30.



Separate the action bar from the action bar sleeve by pulling the action bar up and away from the action bar sleeve as shown in fig. 31.

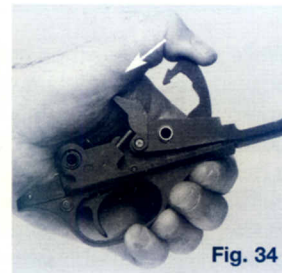
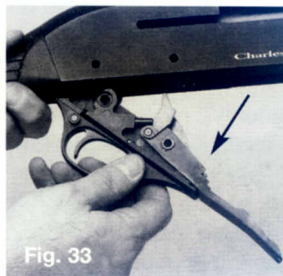


The trigger group may be removed from the receiver for further cleaning of the receiver and trigger group. It is recommended that a thorough cleaning be performed every 300 rounds.

To remove the trigger group, first remove the two trigger group retaining pins by using a punch to drive the pins out of the receiver, fig. 32.



Once the retaining pins are removed, the entire trigger group can be removed from the receiver by pulling down on the trigger guard, fig. 33. No further disassembly of the trigger group is recommended for anyone other than a trained gunsmith.



Note: When reinstalling the trigger group, the hammer must be in its cocked position. To cock the hammer, pull down on the hammer with your thumb until it locks into place as shown in fig. 34.

Magazine Capacity Plug

Your shotgun is supplied with a plug to limit the capacity of cartridges in the magazine tube. Your state may not require this plug to be used so it may be removed.

When the barrel has been removed from the shotgun, insert a large bladed screwdriver into the hole in the magazine spring retainer, fig. 35.

Fig. 35



Fig. 36

While pushing down on the spring retainer with the screwdriver, and rotating in a clockwise direction approximately $\frac{1}{4}$ turn, the retainer will move to a position where the cutout in the retainer will align with a detent in the magazine tube, enabling the retainer to come out of the magazine tube, fig. 36. Be very careful at this point, as the retainer is holding a spring inside of the magazine tube and the spring is under tension.

Slowly pull back on the screwdriver to allow the magazine spring to push the retainer and capacity plug out of the magazine tube.

Remove the plastic plug from the tube and reassemble

the retainer plug back into the magazine tube. Be careful, as the spring will be under tension. Align the cutout in the retainer plug with the detent on the end of the magazine tube, push the plug into the tube and rotate it in a counterclockwise direction approximately $\frac{1}{4}$ turn, and slowly allow the retainer to return to its stop. This will lock the retainer plug firmly in the magazine tube, fig 37.

Fig. 37



Note: Your shotgun has now been completely disassembled. No further disassembly of your shotgun is necessary for routine maintenance and cleaning. Our service department or a competent gunsmith should only perform any further disassembly.

An exploded view of the disassembled shotgun is shown in fig. 38.

Fig. 38



Note: This manual was prepared to include instructions for all Charles Daly semi-auto shotguns, 12 gauge 3" models, 12 gauge Maxi-Mag models ($3\frac{1}{2}$ "), or 20 gauge 3" models. Photographs shown in this manual may not be from the exact model that you have but the instructions will apply to the model that you have.

AMMUNITION

Each Charles Daly semi-auto shotgun is clearly marked with the gauge and maximum length cartridge that may be used in that particular model.

Barrels marked **12 GA 3"** will shoot 12 gauge 2 $\frac{3}{4}$ " and 3" shells. Barrels marked **20 GA 3"** will shoot 2 $\frac{3}{4}$ " and 3" shells. Maxi-Mag models with barrels marked **12 GA 3 $\frac{1}{2}$ "** will handle all 12 gauge 3 $\frac{1}{2}$ " Magnum shells, 12 gauge 3" Magnum shells, 12 gauge 2 $\frac{3}{4}$ " Magnum shells and all 12 gauge 2 $\frac{3}{4}$ " hi-brass shells loaded with a minimum 1 $\frac{1}{4}$ ounces of lead shot.

Do not use a cartridge that is longer than the maximum cartridge length that is stamped on the barrel.

The use of reloaded or substandard commercially produced ammunition will affect your warranty coverage and could result in severe injury to the shooter or others nearby. See the enclosed warranty registration card for any exclusions and limitations of our warranty.

WARNING

The accidental loading and discharge of shells of the wrong gauge in your gun can result in damage to your gun and possible injury or death to you or others. To be safe at all times, carry only the proper gauge ammunition with you for the gun you are using.

CLEANING AND STORAGE

After extended shooting sessions, it will be necessary to clean your shotgun. Semi-auto shotguns require more cleaning than any other type of shotgun, because of their gas operated construction.

Periodically, clean the bore with proper cleaning equipment. Oil all metal surfaces lightly with high quality gun oil. Never pour oil into any inside mechanisms.

If you will be storing your shotgun for long periods of time, apply gun grease to all metal parts, store the shotgun in a dry, and secure area. When you clean the shotgun, make sure the muzzle is not plugged with any heavy grease that would cause a barrel obstruction.

Charles Daly Semi-Auto Part List 12 Gauge - 3"

KEY NO. PART NAME

1.	RECOIL PAD SCREW (x2)
2.	RECOIL PAD
3.	STOCK
4.	STOCK SCREW
5.	STOCK SCREW WASHER
6.	RECEIVER
7.	BOLT RECOIL PAD
8.	MAGAZINE TUBE
9.	FEED LATCH
10.	FEED LATCH SPRING
11.	ACTION RELEASE BUTTON
12.	FEED LATCH PIN (x2)
13.	FEED LATCH PIN DETENT SPRING (x2)
14.	INTERCEPTOR LATCH
15.	INTERCEPTOR LATCH SPRING
16.	MAGAZINE FOLLOWER
17.	MAGAZINE SPRING
18.	MAGAZINE SPRING RETAINER
19.	MAGAZINE CAP
20.	FOREND
21.	
22.	
23.	

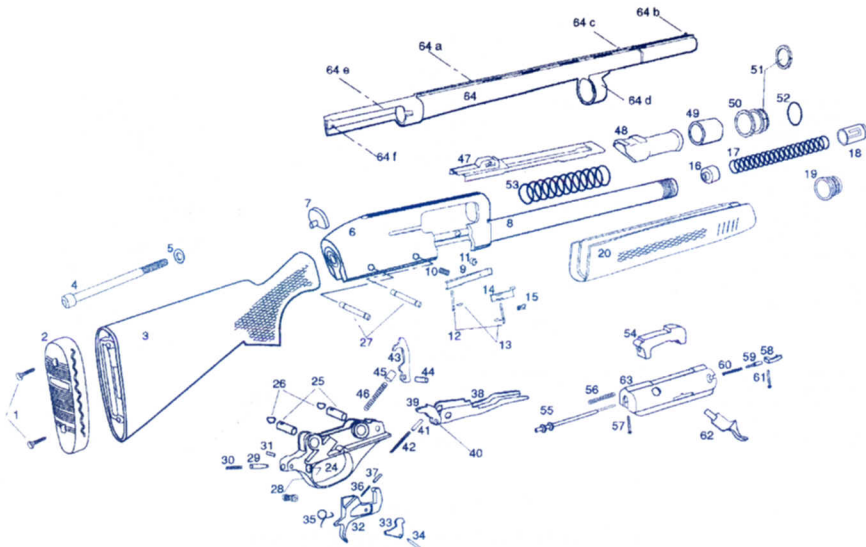
KEY NO. PART NAME

24.	TRIGGER PLATE
25.	TRIGGER PLATE PIN BUSHING (x2)
26.	TRIGGER PLATE PIN DETENT SPRING (x2)
27.	TRIGGER PLATE PIN (x2)
28.	SAFETY BUTTON
29.	SAFETY BUTTON DETENT PIN
30.	SAFETY BUTTON SPRING
31.	SAFETY SPRING RETAINING PIN
32.	TRIGGER
33.	TRIGGER SEAR
34.	TRIGGER PIN
35.	TRIGGER SPRING
36.	TRIGGER SEAR DETENT SPRING
37.	TRIGGER SEAR DETENT PIN
38.	CARRIER
39.	CARRIER DOG
40.	CARRIER DOG PIN
41.	CARRIER DOG FOLLOWER
42.	CARRIER DOG FOLLOWER SPRING
43.	HAMMER
44.	HAMMER PIN
45.	HAMMER PLUNGER
46.	HAMMER SPRING

KEY NO. PART NAME

47.	ACTION BAR
48.	ACTION BAR SLEEVE
49.	ACTION RETARDER
50.	PISTON
51.	PISTON SEAL
52.	O-RING
53.	ACTION SPRING
54.	LOCKING BLOCK
55.	FIRING PIN
56.	FIRING PIN SPRING
57.	FIRING PIN RETAINING PIN
58.	EXTRACTOR
59.	EXTRACTOR PLUNGER
60.	EXTRACTOR SPRING
61.	EXTRACTOR PIN
62.	BOLT HANDLE
63.	BREECH BOLT
64.a-f	COMPLETE BARREL ASSEMBLY
64b.	FRONT SIGHT

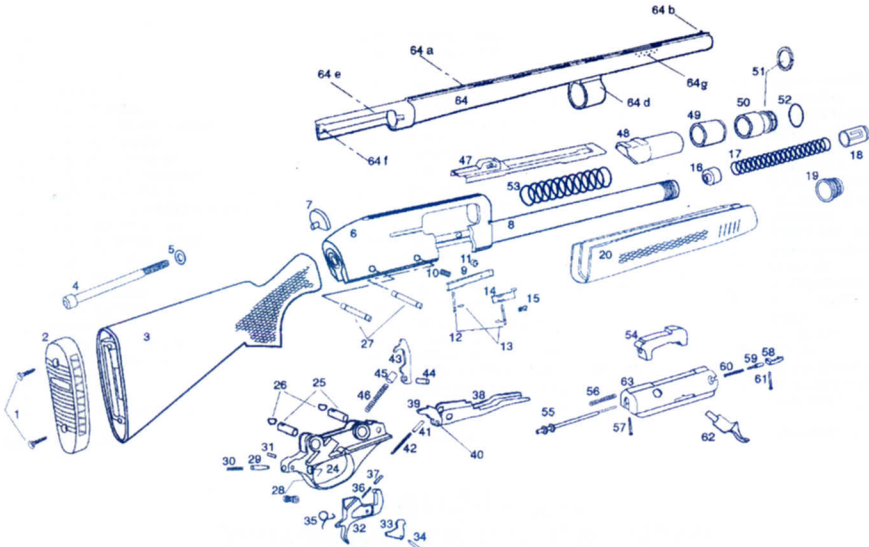
Charles Daly Semi-Auto Exploded View 12 Gauge - 3"



Charles Daly Semi-Auto Part List 12 Gauge - 3 1/2"

KEY NO.	PART NAME	KEY NO.	PART NAME	KEY NO.	PART NAME
1.	RECOIL PAD SCREW (x2)	24.	TRIGGER PLATE	47.	ACTION BAR
2.	RECOIL PAD	25.	TRIGGER PLATE PIN BUSHING (x2)	48.	ACTION BAR SLEEVE
3.	STOCK	26.	TRIGGER PLATE PIN DETENT SPRING (x2)	49.	ACTION RETARDER
4.	STOCK SCREW	27.	TRIGGER PLATE PIN (x2)	50.	PISTON
5.	STOCK SCREW WASHER	28.	SAFETY BUTTON	51.	PISTON SEAL
6.	RECEIVER	29.	SAFETY BUTTON DETENT PIN	52.	O-RING
7.	BOLT RECOIL PAD	30.	SAFETY BUTTON SPRING	53.	ACTION SPRING
8.	MAGAZINE TUBE	31.	SAFETY SPRING RETAINING PIN	54.	LOCKING BLOCK
9.	FEED LATCH	32.	TRIGGER	55.	FIRING PIN
10.	FEED LATCH SPRING	33.	TRIGGER SEAR	56.	FIRING PIN SPRING
11.	ACTION RELEASE BUTTON	34.	TRIGGER PIN	57.	FIRING PIN RETAINING PIN
12.	FEED LATCH PIN (x2)	35.	TRIGGER SPRING	58.	EXTRACTOR
13.	FEED LATCH PIN DETENT SPRING (x2)	36.	TRIGGER SEAR DETENT SPRING	59.	EXTRACTOR PLUNGER
14.	INTERCEPTOR LATCH	37.	TRIGGER SEAR DETENT PIN	60.	EXTRACTOR SPRING
15.	INTERCEPTOR LATCH SPRING	38.	CARRIER	61.	EXTRACTOR PIN
16.	MAGAZINE FOLLOWER	39.	CARRIER DOG	62.	BOLT HANDLE
17.	MAGAZINE SPRING	40.	CARRIER DOG PIN	63.	BREECH BOLT
18.	MAGAZINE SPRING RETAINER	41.	CARRIER DOG FOLLOWER	64.	COMPLETE BARREL ASSEMBLY
19.	MAGAZINE CAP	42.	CARRIER DOG FOLLOWER SPRING	64a.	FRONT SIGHT
20.	FOREND	43.	HAMMER	64b.	BARREL PORTING
21.		44.	HAMMER PIN		
22.		45.	HAMMER PLUNGER		
23.		46.	HAMMER SPRING		

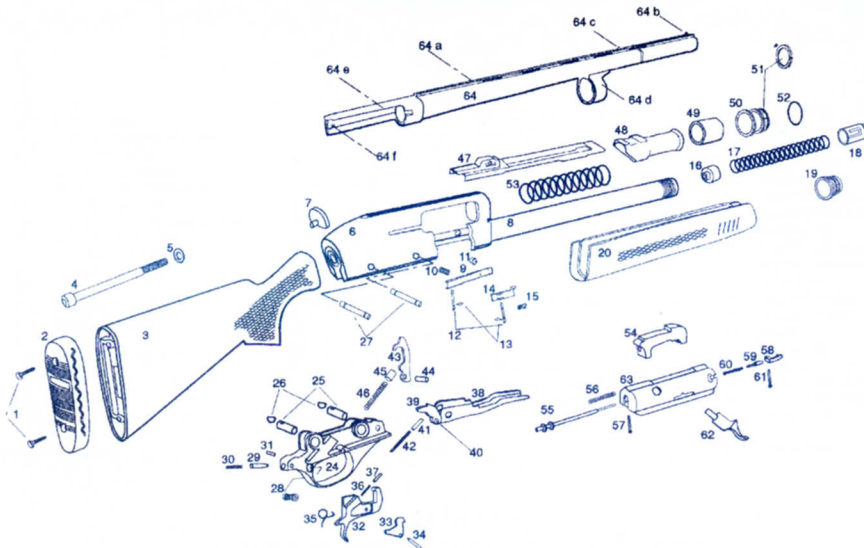
Charles Daly Semi-Auto Part List 12 Gauge - 3 1/2"



Charles Daly Semi-Auto Part List 20 Gauge - 3"

KEY NO.	PART NAME	KEY NO.	PART NAME	KEY NO.	PART NAME
1.	RECOIL PAD SCREW (X2)	24.	TRIGGER PLATE	47.	ACTION BAR
2.	RECOIL PAD	25.	TRIGGER PLATE PIN BUSHING (x2)	48.	ACTION BAR SLEEVE
3.	STOCK	26.	TRIGGER PLATE PIN DETENT SPRING (x2)	49.	ACTION RETARDER
4.	STOCK SCREW	27.	TRIGGER PLATE PIN (x2)	50.	PISTON
5.	STOCK SCREW WASHER	28.	SAFETY BUTTON	51.	PISTON SEAL
6.	RECEIVER	29.	SAFETY BUTTON DETENT PIN	52.	O-RING
7.	BOLT RECOIL PAD	30.	SAFETY BUTTON SPRING	53.	ACTION SPRING
8.	MAGAZINE TUBE	31.	SAFETY SPRING RETAINING PIN	54.	LOCKING BLOCK
9.	FEED LATCH	32.	TRIGGER	55.	FIRING PIN
10.	FEED LATCH SPRING	33.	TRIGGER SEAR	56.	FIRING PIN SPRING
11.	ACTION RELEASE BUTTON	34.	TRIGGER PIN	57.	FIRING PIN RETAINING PIN
12.	FEED LATCH PIN (x2)	35.	TRIGGER SPRING	58.	EXTRACTOR
13.	FEED LATCH PIN DETENT SPRING (x2)	36.	TRIGGER SEAR DETENT SPRING	59.	EXTRACTOR PLUNGER
14.	INTERCEPTOR LATCH	37.	TRIGGER SEAR DETENT PIN	60.	EXTRACTOR SPRING
15.	INTERCEPTOR LATCH SPRING	38.	CARRIER	61.	EXTRACTOR PIN
16.	MAGAZINE FOLLOWER	39.	CARRIER DOG	62.	BOLT HANDLE
17.	MAGAZINE SPRING	40.	CARRIER DOG PIN	63.	BRECH BOLT
18.	MAGAZINE SPRING RETAINER	41.	CARRIER DOG FOLLOWER	64.a-f	COMPLETE BARREL ASSEMBLY
19.	MAGAZINE CAP	42.	CARRIER DOG FOLLOWER SPRING	64b.	FRONT SIGHT
20.	FOREND	43.	HAMMER		
21.		44.	HAMMER PIN		
22.		45.	HAMMER PLUNGER		
23.		46.	HAMMER SPRING		

Charles Daly Semi-Auto Exploded View 20 Gauge - 3"



www.charlesdaly.com

Discharging firearms in poorly ventilated areas, cleaning firearms, or handling ammunition may result in exposure to lead and other substances known to the State of California to cause birth defects, reproductive harm, and other serious physical injury. Have adequate ventilation at all times. Wash hands thoroughly after exposure.



P.O. Box 6625
5480 Linglestown Road
Harrisburg, PA 17112
Tel. (717) 540-8518 Fax. (717) 540-8567