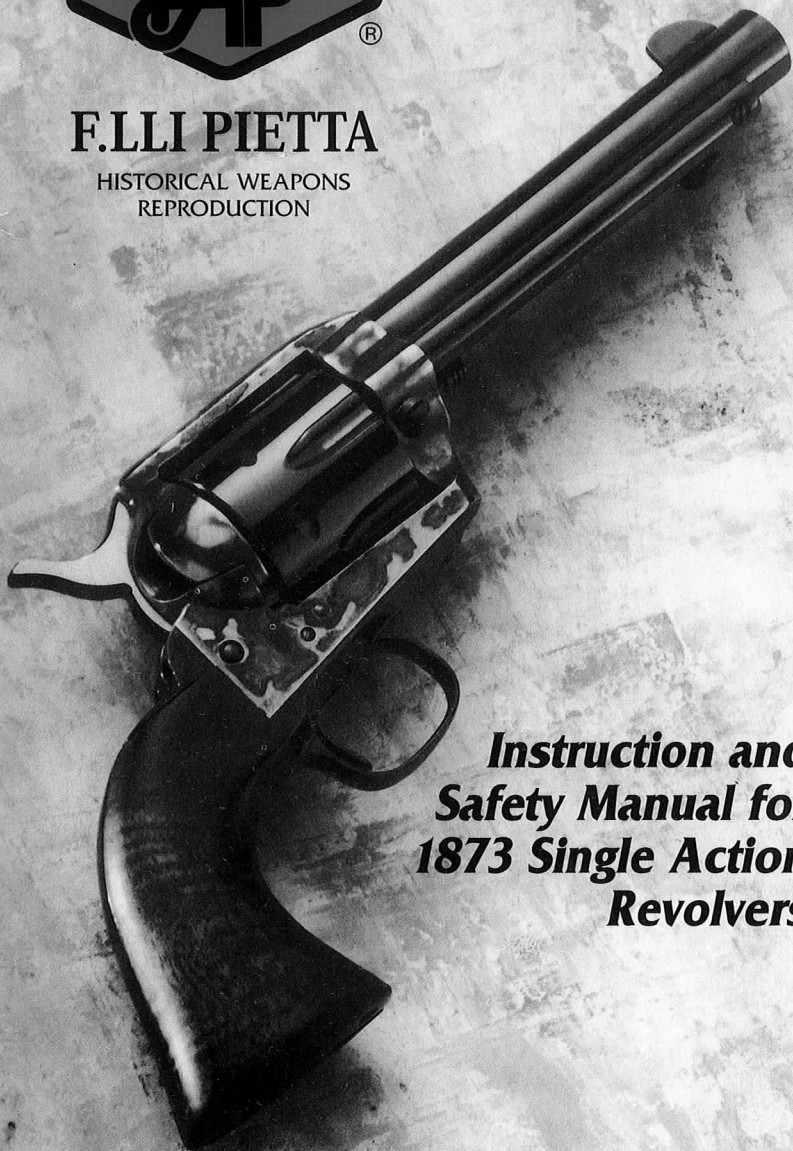




F.LLI PIETTA

HISTORICAL WEAPONS
REPRODUCTION



***Instruction and
Safety Manual for
1873 Single Action
Revolvers***



**READ THE INSTRUCTIONS AND WARNINGS IN THIS
MANUAL CAREFULLY AND THOROUGHLY BEFORE
HANDLING, LOADING OR SHOOTING THIS FIREARM**

1873 SINGLE ACTION REVOLVERS

INDEX

THE MANUAL	4
SAFETY PRECAUTIONS & WARNING	6
HANDLING	9
DECOCKING (UNCOCKING) THE REVOLVER	10
LOADING AND FIRING	12
UNLOADING	14
CARE AND CLEANING	15
STORAGE	17
1873 SINGLE ACTION REVOLVERS NOMENCLATURE	18

THIS MANUAL CONTAINS

- ▶ Important warnings which should be read and understood before using this firearm.
 - ▶ Directions and procedures for handling, loading, firing and unloading.
 - ▶ Instructions for care and cleaning.

 - ▶ This instruction and safety manual is designed to help you in learning how to properly use and care for your **F.III Pietta** 1873 Single Action Revolver. Only when you are certain you have fully familiarized yourself with the function of your firearm should you practice loading, unloading and firing with live rounds of ammunition.
-

This instruction manual should always accompany this firearm, and be transferred with it upon change of ownership.

Download from our website **www.pietta.it**, update instruction manual.



WARNING : DISCLAIMER OF LIABILITY

F.LLI PIETTA SNC SHALL NOT BE RESPONSIBLE FOR PRODUCT MALFUNCTIONING OR FOR PHYSICAL INJURY, DEATH OR DAMAGE TO PROPERTY RESULTING FROM EITHER INTENTIONAL OR ACCIDENTAL DISCHARGE OF THIS FIREARM, ITS CRIMINAL OR NEGLIGENT USE, IMPROPER OR CARELESS HANDLING, UNAUTHORIZED MODIFICATIONS OR ALTERATION, USE OF DEFECTIVE OR IMPROPER OR HAND-LOADED OR RELOADED AMMUNITION, OR FROM ITS USE FOR PURPOSES OR SUBJECTION TO TREATMENT FOR WHICH IT WAS NOT DESIGNED. **F.LLI PIETTA SNC** WILL NOT HONOR CLAIMS MADE BY THE SECOND OR SUBSEQUENT OWNER OF THE FIREARM.



CAUTION :

PRIOR TO REMOVING THIS GUN FROM ITS PACKAGING, AND PRIOR TO LOADING AND FIRING, CAREFULLY AND THOROUGHLY READ THE ENTIRE INSTRUCTION MANUAL WHICH GIVES ADVICE ON THE GUN'S PROPER HANDLING AND FUNCTIONING. HOWEVER YOUR SAFETY AND THAT OF OTHERS (INCLUDING YOUR FAMILY) DEPENDS ON YOUR RESPONSIBLE COMPLIANCE WITH THAT ADVICE. IF UNFAMILIAR WITH FIREARMS, SEEK SUPERVISED INSTRUCTIONS. FIREARM SAFETY IS YOUR RESPONSIBILITY.



WARNING - LEAD EXPOSURE

DISCHARGING FIREARMS IN POORLY VENTILATED AREAS, CLEANING FIREARMS, OR HANDLING AMMUNITION MAY RESULT IN EXPOSURE TO LEAD AND OTHER SUBSTANCES KNOWN TO THE STATE OF CALIFORNIA TO CAUSE BIRTH DEFECTS, REPRODUCTIVE HARM, AND OTHER SERIOUS PHYSICAL INJURY. HAVE ADEQUATE VENTILATION AT ALL TIMES. WASH HANDS THOROUGHLY AFTER EXPOSURE.

SHOOTING OR CLEANING GUNS MAY EXPOSE YOU TO LEAD.

SAFETY PRECAUTIONS & WARNING

- 1** Careless and improper handling of this gun could result in unintended discharge causing injury, death or property damage. Safety must be the first and constant consideration when handling a firearm and ammunition. **F.lli Pietta snc** shall not be responsible for product malfunctioning or for physical injury, death or damage to property resulting from either intentional or accidental discharge of this firearm, its criminal or negligent use, improper or careless handling, or from its use for purposes or subjection to treatment for which it was not designed.
- 2** This product was designed to function properly in its original condition. Alterations can make it unsafe. Do not alter any part or add or replace parts not supplied by **F.lli Pietta snc**. **F.lli Pietta snc** shall not be responsible for product malfunctioning or for physical injury, death or damage to property resulting from unauthorized modifications or alterations.
- 3** Single action revolvers should always be carried with the hammer down on an **empty** chamber to prevent accidental discharges caused by a blow to the hammer.
- 4** Death, serious injury and damage can result from the use of wrong ammunition. **For your safety, use only original high quality commercially manufactured ammunition in good condition which is appropriate to the caliber of your gun.** **F.lli Pietta snc** shall not be responsible for product malfunctioning or for physical injury, death or damage to property resulting from use of defective or improper or hand-loaded or reloaded ammunition.
- 5** **Always handle and treat your gun as if it were loaded** so you never fire it accidentally when you think it is unloaded. Never take anyone's word it is unloaded. Always check it yourself with your fingers off the trigger and the gun pointed in a safe direction.
- 6** **Never keep or carry any revolver with the hammer cocked.** Cocking the gun or pulling the trigger should only be done when you are ready to shoot immediately. This way, your gun cannot be unintentionally fired.

7 Always leave the safety on and your fingers out of the trigger-guard until you begin to fire. **NOTE: SAFETY DEVICES ON GUNS ARE EXTRAS AND DO NOT SUBSTITUTE FOR SAFE HANDLING.**

8 Never perch the gun on the half-cock notch as it may fall and discharge, causing damage to property, injury or death.

9 Water, snow, mud, excess of lubricating oil or grease or any other material can obstruct the barrel of your gun and cause injury or fatality. **Always check the barrel of your firearm for obstruction before loading and firing. Clean a fouled gun immediately to ensure its correct and safe function.**

10 **Keep the gun's muzzle pointed in a safe direction at all times.** Never let the muzzle of a firearm point at any part of your body or at another person or at anything you do not intend to shoot, even if you think it is unloaded. Always be certain of your target before firing. This way, if it fires accidentally, personal injury, death or damage to property will be prevented. This is especially important when loading and unloading your gun.

11 **Unload all firearms when not in use.** Never store a loaded firearm. Firearms and ammunition should be safely stored separately in locked receptacles minimizing the risk that the gun and ammunition could be easily available for loading and firing.

12 **Store your firearms out of sight and reach of visitors and children.**

13 **Always make sure your gun is not loaded before cleaning, storing or traveling or before laying it down, or handing it to another person.**

14 **Always wear safety glasses while shooting** to protect your eyes from injury by gun powder, gas, lubricant, dirt or metallic particles, carbon residue, sparks or other debris.

15 Always wear and encourage others near you to wear ear protection when shooting, especially on a range. Without ear protection, the noise from your gun, and other guns closed to you, could leave a “ringing” in the ears for some time after firing. Repeated exposure to shooting noise could result in permanent hearing loss.

16 Never climb a tree, fence or wall while carrying a loaded firearm. Never leave a loaded gun unattended or resting against a tree, fence or wall. Someone, especially a child, may fire it and cause injury, death, or damage to property.

17 Don't shoot at a hard surface, or at water. A bullet may ricochet and travel in unpredictable directions to strike you or an object you cannot see, causing injury, death or damage to property.

18 Never fire your gun near an animal as the animal's startled reaction could injure it or cause an accident.

19 Firearms and alcohol don't mix. Never drink alcoholic beverage or take drugs before or during shooting, as this constitutes criminal disregard for your safety and that of others. Never use a gun while you are taking medication unless you have checked with your doctor to ensure your fitness to handle your gun safely.

20 Be particularly careful when unloading the revolver to check the cylinder to be certain a live round does not remain in the revolver.

21 If you have any doubts about your ability to handle or use this gun safely, then you should seek supervised instruction.

22 Horseplay has no place around firearms. GUNS CAN'T THINK - YOU CAN.

23 Remember, safety is your responsibility. Be a safe shooter.

HANDLING

The term "Single Action" means that the hammer of your revolver must be manually drawn **fully** rearward, or "cocked", before firing each shot. In the process of cocking your revolver, you should note that there are three separate hammer positions, each one having its purpose.

1 BASIC SAFETY AND "AT REST" POSITION

Draw the hammer backward of about $1/4$ " and you will feel the hammer "click" into its safety notch. (if you listen carefully, you can hear it). In doing this you are engaging its normal internal safety notch. Your revolver must be in this "at rest" position whenever you are not actually shooting (see fig. 1).

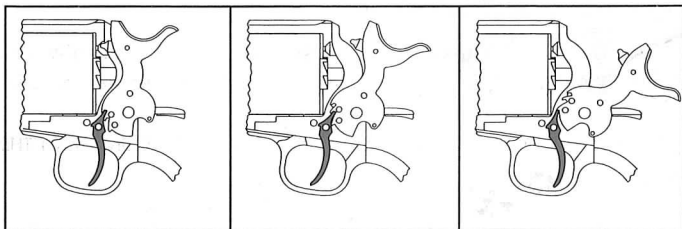
For the instruction how activate the two manual safety of our versions of Single Action, see pag. 17, the section INSTRUCTIONS FOR THE USE OF THE TWO MANUAL SAFETY

2 LOADING/UNLOADING (HALF COCK) POSITION

Draw the hammer back to the next second-notch position (you can also hear this click if you listen carefully). In doing this, you actually disengage the cylinder of your revolver and allow it to freely rotate in the direction of the loading gate. This permits you to load or unload your revolver when you open the loading/unloading gate on the right rear side of the frame (see fig. 2).

3 FIRING (FULL COCK) POSITION

Draw the hammer fully rearward to its full-cock notch. Make sure it clicks into this rearmost position. Your revolver is now ready to fire (see fig. 3).



CAUTION :

NEVER ATTEMPT TO FIRE YOUR REVOLVER IN ANY POSITION EXCEPT THE FULL-COCK POSITION. ATTEMPTING TO PULL THE TRIGGER IN THE SAFETY POSITION OR HALF-COCK POSITION WILL STRAIN THE MECHANISM AND POSSIBLY MAKE IT UNSAFE. (IT MIGHT EVEN BREAK IF YOU ARE STRONG ENOUGH).



DECOCKING (UNCOCKING) THE REVOLVER

If you have your revolver in the full-cock position and change your mind and don't want to shoot, carefully follow these steps :

- 1 Make certain that the revolver is pointing in a safe direction.
- 2 Make certain both hands are dry and not impeded in any way-gloves, bandages, cold, etc.
- 3 Fully draw the hammer back with your thumb and continue holding it fully rearward while pulling the trigger backward. Hold the trigger and hammer back in this position.
- 4 While holding the trigger back, **slowly** lower the hammer downward, past its half-cock notch. **REMEMBER, YOU ARE LOWERING IT TOWARD A LIVE ROUND !** Be careful and keep it pointed in a safe direction.
- 5 When past the half-cock notch, release pressure on the trigger and take your finger out of the trigger guard.
- 6 Continue to lower the hammer to its safety notch position.

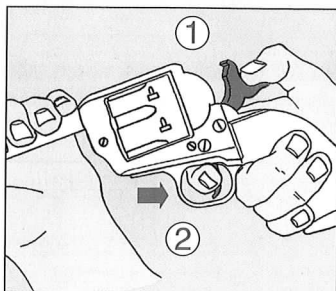


FIG. A

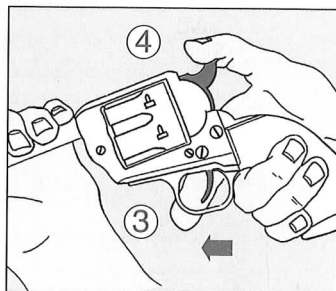


FIG. B

Fig. A - With the thumb controlling the hammer as shown above, (1) squeeze trigger to permit hammer to break free (2)

Fig. B - When hammer is free, immediately release trigger (3). Then lower hammer slowly to its resting position completely down against frame (4)



CAUTION :

YOU SHOULD PRACTICE THIS IMPORTANT GUN HANDLING SKILL WITH AN UNLOADED REVOLVER UNTIL YOU HAVE DEVELOPED THE PROPER CONTROL AND “TOUCH” TO DECOCK YOUR REVOLVER SAFELY.



CAUTION :

USE EXTREME CARE WHEN ATTEMPTING TO DECOCK THE REVOLVER. AS THE THUMB SLIPPING DURING THIS PROCESS CAN RESULT IN A ACCIDENTAL DISCHARGE IF THE TRIGGER IS HELD TO THE REAR.



CAUTION :

REMEMBER, WHEN YOU FULLCOCK YOUR REVOLVER TO SHOOT IT AGAIN, YOU ROTATE THE CYLINDER. WHEN YOU DECOCKED YOUR REVOLVER AND DECIDED NOT TO FIRE, THAT ROUND IS STILL LIVE IN THE CYLINDER AND WILL ROTATE BACK TOWARDS THE FIRING PIN POSITION WITH EACH COCKING.

DO NOT FORGET ABOUT THIS ROUND. IF YOU FIRED ROUNDS PRIOR TO THE DECOCKING OPERATION AND START FIRING AGAIN, THE HAMMER WILL FALL ON ONE OR MORE EMPTY CYLINDERS AND STILL WILL FALL ON THE LIVE ROUND. **BE EXTREMELY CAREFUL OF THIS LIVE ROUND.**

LOADING AND FIRING

Although the Single Action Revolvers are often referred to as “Six-shooters” it was customary in the Old West to only load five rounds in the gun and leave the chamber under the hammer empty. This is by far the safest way to load a single action revolver.



CAUTION :

WE STRICTLY RECOMMEND TO ONLY LOAD FIVE ROUNDS AND LEAVE THE CHAMBER UNDER THE FIRING PIN EMPTY. IF THE REVOLVER IS LOADED PROPERLY IN THIS MANNER, IT WOULD BE IMPOSSIBLE FOR THE GUN TO ACCIDENTALLY FIRE SHOULD IT BE DROPPED ON THE HAMMER.



CAUTION :

DO NOT LOAD THE REVOLVER UNTIL YOU ARE READY TO USE IT. READ SAFETY PRECAUTIONS. KEEP GUN POINTING IN A SAFE DIRECTION. ALWAYS KEEP YOUR FINGERS AWAY FROM THE TRIGGER WHENEVER YOU DO NOT INTEND TO FIRE.

- 1** Keeping your fingers out of the trigger guard and off the trigger, draw the hammer back to the half cock position which makes the cylinder free to rotate.
- 2** Open the loading gate as far as it will go. This will expose each chamber, one at a time, as you rotate the cylinder.
- 3** Make sure you have the **exact** caliber cartridges matching the **exact** caliber of the revolver. Then load one cartridge in each chamber.
- 4** Close the loading gate which, as you can see, becomes part of the recoil shield.

- 5 Place the hammer in the safety notch position by drawing it back slightly to disengage it from its half-cock notch position, carefully pull the trigger back, and, holding it back, allow the hammer to travel slowly forward but only far enough to pass its half-cock notch.

NOTE : You will not hear a click as the hammer moves through the half-cock notch. Then release the pressure on the trigger and continue to slowly lower the hammer forward until it clicks into its safety position. **AGAIN, YOU SHOULD PRACTICE THIS LOADING FUNCTION WITHOUT ANY CARTRIDGES UNTIL YOU ARE COMFORTABLE WITH HANDLING THE HAMMER AND ARE FAMILIAR WITH ITS RESPECTIVE NOTCHES.**

- 6 To fire the revolver, the hammer must first be manually cocked. When cocking the hammer, have a firm hold on the grip with the shooting hand and **DO NOT TOUCH THE TRIGGER WHILE COCKING THE HAMMER. TOUCH THE TRIGGER ONLY WHEN YOU ARE READY TO FIRE.** With the fore portion of your thumb firmly on the hammer spur, draw the hammer fully to the rear until it stops. Then permit the hammer to move backward slightly until the trigger engages in the hammer at full cock.

- 7 Once the hammer has been cocked, a light pressure on the trigger will disengage the trigger from the hammer. The hammer will fall forward and the revolver will fire.

After firing, the hammer will remain down. To fire subsequent shots, fully release the trigger and repeat steps 6 & 7 above for each shot.

UNLOADING



CAUTION :

ALWAYS KEEP THE REVOLVER POINTED IN A SAFE DIRECTION. IF THE HAMMER IS COCKED IT MUST FIRST BE DECKED. DO NOT TOUCH TRIGGER AND ALWAYS KEEP HANDS AWAY FROM MUZZLE.

- 1** Draw the hammer to its half-cock position and open the loading gate on the right rear part of the frame.
- 2** Push out each cartridge or empty case with the ejector rod located under the barrel. Operate the ejector rod in each chamber to its full length to assure full length case ejection.
- 3** Check to be certain that all cartridges have been removed, then close the gate.



CAUTION :

DO NOT EJECT UNFIRED CARTRIDGES ONTO ANY SURFACES WHERE THE CARTRIDGE PRIMER MIGHT STRIKE A SOLID OBJECT AND DISCHARGE THE CARTRIDGE

CARE AND CLEANING



CAUTION :

ALWAYS MAKE SURE THE REVOLVER IS COMPLETELY UNLOADED BEFORE CLEANING. WEAR SAFETY GLASSES IN CASE YOU LOSE CONTROL OF SOME SPRING-LOADED COMPONENT WHICH COULD INJURE YOUR EYES.

At regular intervals or when the revolver has been exposed to sand, water or other adverse conditions, disassemble, clean and oil it.

Remove the cylinder using the following steps :

- 1** Open the loading gate
- 2** Place the hammer in its half-cock notch
- 3** Depress the base pin catch. This is the spring loaded plunger located on the left front side of the frame. Keep it depressed.
- 4** Slide the base pin all the way out. The base pin is the heavy pin around which the cylinder rotates (and provides a bearing surface for the cylinder). It should always be clean and lubricated.
- 5** Remove cylinder toward the loading gate. The cylinder is made to fit your revolver precisely and can be removed and replaced easily, but carefully. It is a close fit, so don't force it to move in any direction.

To reassemble, simply reverse the steps above.

When you reassemble the base pin, make sure the base pin catch snaps back in its regular position. You can test this by making sure the plunger is free to move when you depress it and it returns under its own spring pressure.

Use a wood, aluminum or brass cleaning rod (not steel), a brass bristle brush and patches appropriate to your revolver's caliber to clean it. Use a good quality cleaning solution to swab the bore and each cylinder. While swabbing the bore always brush all the way through the bore ; never try to reverse direction while the brush is actually in the barrel or chamber. After swabbing, run clean patches through the bore and chambers until they come out clean. Then completely, but lightly, oil the entire revolver. Use a good quality brass polish on the backstrap and triggerguard (if made of brass). The brass parts are solid brass and, as such, will tarnish, reflecting their good quality. It is easily removed with any good quality brass polish.



CAUTION :

FIRING A REVOLVER WITH OIL, GREASE, OR ANY OTHER MATERIAL EVEN PARTIALLY OBSTRUCTING THE BORE MAY RESULT IN DAMAGE TO THE REVOLVER AND SERIOUS INJURY TO THE SHOOTER AND THOSE NEARBY. DO NOT SPRAY OR APPLY LUBRICANTS DIRECTLY ON AMMUNITION. IF THE POWDER CHARGE OF A CARTRIDGE IS AFFECTED BY THE LUBRICANT, IT MAY NOT BE IGNITED, BUT THE ENERGY FROM THE PRIMER MAY BE ENOUGH TO PUSH THE BULLET INTO THE BORE WHERE IT MAY BECOME LODGED. FIRING A SUBSEQUENT BULLET INTO THE OBSTRUCTED BORE MAY DAMAGE THE REVOLVER AND CAUSE SERIOUS INJURY OR DEATH TO THE SHOOTER AND THOSE NEARBY. USE LUBRICANTS PROPERLY. YOU ARE RESPONSIBLE FOR THE PROPER CARE AND MAINTENANCE OF YOUR FIREARM.

STORAGE

Always unload your gun and store it and ammunition separately in a locked receptacle out of children's reach and sight., minimizing the risk that the gun and ammunition could be easily available for loading and firing.

USE YOUR REVOLVER CAREFULLY AND SAFELY.

INSTRUCTIONS FOR THE USE OF THE TWO MANUAL SAFETY

Mod. #1: Safety pin for S.A. II° Generation

Push the button that holds the cylinder pin towards the frame and push down the cylinder pin slightly down toward the hammer. Release the button and go head pushing down the cylinder pin towards the hammer until the button will automatically come back in the initial position: this because the button is inside the safety notch. If this not happen, check that the cylinder pin has not been pushed too inside or that is not slightly rotated.

Mod. #2: Safety Screw for S.A. Old model II° Generation

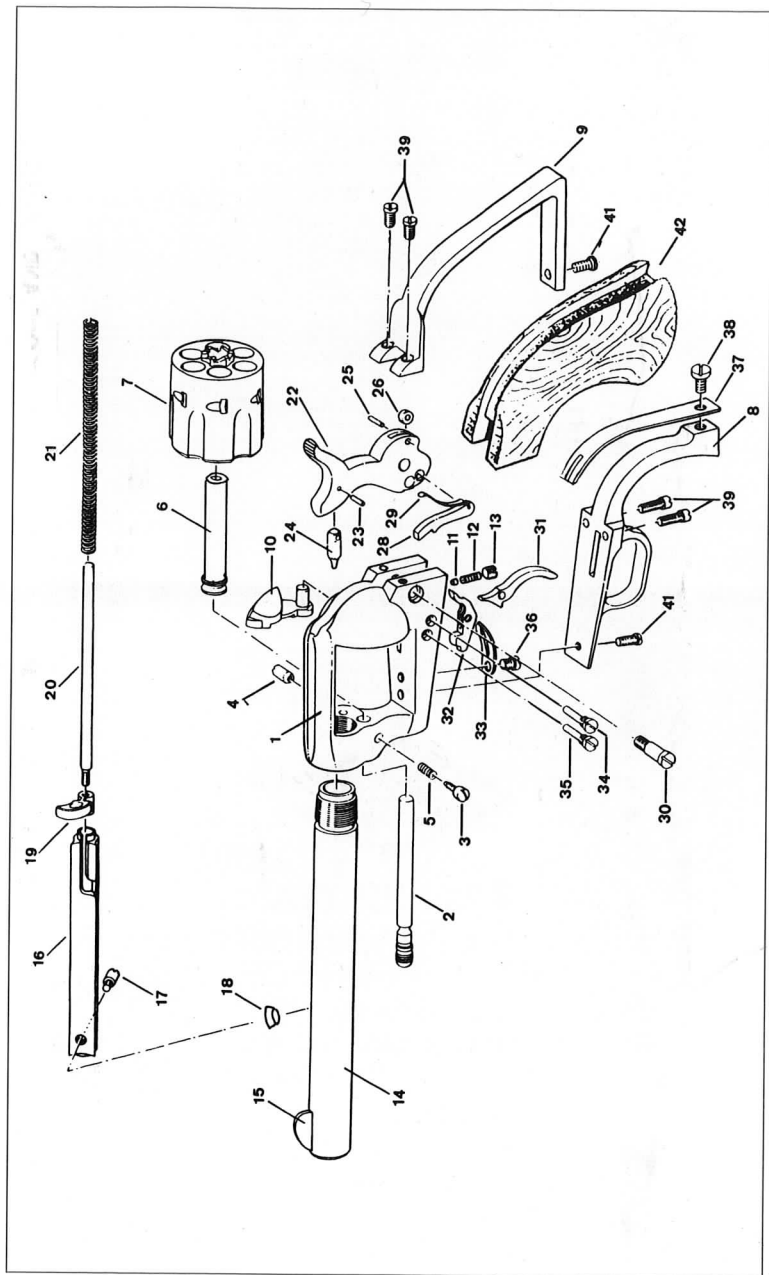
Unscrew the screw that holds the cylinder pin. After this push the cylinder pin towards the hammer (the small depression in the cylinder pin is in line with the frame). Now, screw the screw: the head'screw must be totally come inside in the frame as you found at the beginning. The screw will stick against the cylinder pin. If the screw does not go down easely or the head'screw is not totally inside in the frame, check the notch on the cylinder pin: the notch could be slightly up or down, or slightly rotated. The cylinder pin must be fixed.

After having performed these operations, cock the hammer. Holding the hammer with the thumb, and pulling the trigger with the forefinger, take the hammer against the cylinder pin. (you'll see that the gap between the hammer and the frame is about 6/8 mm)

1873 SINGLE ACTION REVOLVER NOMENCLATURE

1	FRAME	13	GATE CATCH SCREW	25	HAMMER ROLLER PIN	38	MAINSRING SCREW
2	BASE PIN	14	BARREL	26	HAMMER ROLLER	39	BACKSTRAP REAR SCREW
3	BASE PIN LATCH	15	FRONT SIGHT	28	HAND	41	BACKSTRAP FRONT SCREW
4	BASE PIN LATCH NUT	16	EJECTOR HOUSING	29	HAND SPRING	42	GRIP
5	BASE PIN LATCH SPRING	17	EJECTOR HOUSING SCREW	30	HAMMER SCREW	48	BOLT RECALL SPRING GUIDE
6	BASE PIN BUSHING	18	EJECTOR HOUSING SCREW BUSHING	31	TRIGGER	49	BOLT RECALL SPRING
7	CYLINDER	19	EJECTOR HEAD	32	BOLT	50	FIRING PIN PROTECTOR FOR FRAME
8	TRIGGER GUARD	20	EJECTOR ROD	33	TRIGGER & BOLT SPRING		
9	BACKSTRAP	21	EJECTOR SPRING	34	TRIGGER SCREW		
10	GATE	22	HAMMER	35	BOLT SCREW		
11	GATE CATCH	23	FIRING PIN RIVET	36	TRIGGER SPRING SCREW		
12	GATE SPRING	24	FIRING PIN	37	MAINSRING		

WHEN PLACING YOUR ORDER FOR SPARE PARTS. PLEASE MENTION THE REFERENCE CODE AND CALIBER OF THE GUN.



1873
SINGLE ACTION
REVOLVERS

30/10/2004 - paoladanesi@tin.it

Made in Italy by:



F.LLI PIETTA

F.A.P. Fabbrica Armi F.lli PIETTA
di Pietta Giuseppe & C. snc

Via Mandolossa, 102

25064 GUSSAGO (BS) Italy

Cod. fisc.-P. iva IT00274400175

Tel. 39 030 37 37 098

Fax 39 030 37 37 100

www.pietta.it

e-mail: info@pietta.it