

ISO-9000



PRODUCTION PERMIT



FACILITY SECURITY



AQAP-2120



**CENTURY
INTERNATIONAL
ARMS INC.**

Stingray-C Pistol, Cal. 9mm Para / .40 S&W
Distributed by: Century International Arms, Inc.
236 Bryce Boulevard, Fairfax, VT 05454

www.centuryarms.com

Sales Tel: 1-800-527-1252 - 1-561-265-4530
Sales Fax: 1.561.265.4520

Cnk-2012/07

Operating Manual



Stingray-C Pistol, Cal. 9mm Para / .40 S&W

IMPORTANT SAFETY WARNINGS

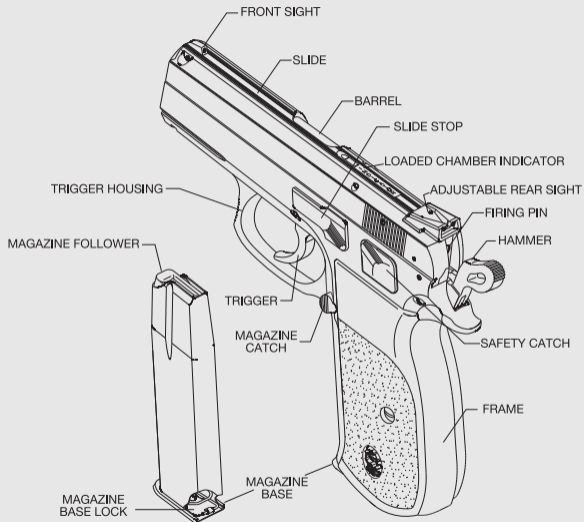
These Safety Warnings are for your protection and the safety of others. Disregarding information in this Owner's Safety and Instruction Manual and accompanying literature may result in serious injury or death.

IMPORTANT SAFETY MESSAGE

Children are attracted to, and can operate firearms which can cause severe injuries or death. Prevent child access by always keeping guns locked away and unloaded when not in use. If you keep a loaded firearm where a child obtains and improperly uses it, you may be fined or sent to prison.

Firearm Safety Depends on You

A gun is only as safe as the person operating it. You can never be overly careful when handling a firearm. Carelessness is often the cause of shooting accidents, such as failing to keep the muzzle pointed in a safe direction, not being sure of your target and what is behind it, failing to engage the safety properly, leaving ammunition in the chamber or using improper loads. Since a bullet can never be called back once fired, such errors in gun handling can result in the loss of life, severe injury or property damage. It is thus crucial for your safety and the safety of those around you that you learn the principles of safe gun handling and storage before you begin to use your new firearm. Be a safe shooter - please read this instruction book thoroughly even if this is not your first firearm purchase as not all firearms are the same. The first step in being a safe shooter is to learn the rules for the safe operation and handling of firearms. There is nothing more important in gun handling than safety.



CONTENTS

1.	The Ten Commandments of Firearm Safety	4-8
2.	General Definitions	9
3.	Technical Specifications	10-11
4.	Operating Instructions	12
	Ammunition	12
	How to release the magazine	12
	How to load and unload the magazine	13
	How to load and fire the gun	15
	How to reload the gun	17
	How to unload the gun	17
	Safety equipment	17
	Loaded chamber indicator	19
	Rear sight - Front sight	19
	How to disassemble and assemble the gun	19-21
	How to disassemble the magazine	21
5.	Care and Cleaning	23-24
6.	Trouble Shooting	25-26
7.	Exploded View and List of Parts	27-28
8.	Notes	29-32

1. THE TEN COMMANDMENTS OF FIREARM SAFETY

The Ten Commandments of Firearm Safety must be etched into your memory before you begin to handle firearms. These rules are intended to be followed by all persons handling firearms in the field, on the range or at home. Please read, review and understand these rules before you begin to use or even take your new firearm out of its box. Remember, firearms safety depends on you! Memorizing these safety rules will help prevent gun accidents. Please study these safety rules before handling your firearm.

Commandment #1

Always Keep the Muzzle Pointed in a Safe Direction

This is the most basic and most important safety rule. A safe direction is one in which an accidental discharge will not cause injury to yourself, to others or property damage. This is particularly important when loading or unloading your firearm. Never point your gun at anything you do not intend to shoot. Treat every gun as if it were loaded at all times.

Commandment #2

Firearms Should Be Unloaded When Not Actually in Use

Firearms should only be loaded when you are in the field or on the target range or shooting area, ready to shoot.

When not in use, firearms and ammunition should be secured in a safe place, separate from each other. Remember to unload your firearm completely so that there is no ammunition in the chamber or magazine. Before handling this or any firearm, or handing it to someone else, visually check the chamber and magazine to ensure they do not contain ammunition. Always keep the guns action open when not in use. Never assume a gun is unloaded - even if you were the last person to use it. Never cross a fence, climb a tree, wade through a stream or perform any awkward movement with a loaded gun. When in doubt, unload your gun! Never pull or push a loaded firearm toward yourself or another person. Never carry a loaded gun in a scabbard, a holster not being worn or a gun case - common sense prevails in gun safety!

⚠ Commandment #3

Don't Completely Rely on Your Gun's Safety

Treat every gun as though it could fire at any time, even if you are not applying pressure to the trigger.

The "safety" on a firearm is a mechanical device which, like any such device, can become inoperable at the worst possible time and fail to function. By mistake, you may think the safety is "ON" when it actually is not. Or you may think your gun is unloaded when there is actually a round of ammunition in it. The safety serves as a supplement to proper gun handling but cannot serve as a substitute for common sense. Never handle a gun carelessly and assume that the gun won't fire just because "the safety is on." Never touch the firearm's trigger until you are ready to shoot. Keep your fingers away from the trigger when loading or unloading. Never pull the trigger when the safety is engaged or when the safety is positioned between the "SAFE" and "FIRE" positions. Never place your finger on the trigger unless you intend to fire.

Alcohol, Drugs and Guns don't mix. Make no mistake about it!

Never handle firearms after consuming alcohol or taking drugs that can affect your judgment. Shoot sober! Alcohol, certain kinds of drugs and firearms don't mix. Safe firearms handling requires alertness and concentration of one's actions. You cannot handle a firearm safely after consuming alcohol. Never consume anything that can impair your judgment or physical coordination when handling a firearm.

⚠ Commandment #4

Be Sure of Your Target - And What Is Beyond It!

Once fired, a bullet (or shot charge) can never be called back, so before you shoot know where the bullet is going and what it will strike. Be certain your shot will not injure someone or strike something beyond the target. Never fire in the direction of noise, a movement or at any object you cannot positively identify. Be aware that a .22 Short bullet can travel over 11/4 miles. A centerfire cartridge, such as the .30-06, can send its bullet over 3 miles. Shotgun pellets can travel 500 yards and a shotgun slug has a range of over a half mile. Make sure your shot has a safe backstop such as a hillside. Keep in mind how far the bullet will travel if it misses your intended target. Once fired, a bullet can never be called back. You are responsible for your actions and judgment.

⚠ Commandment #5

Use the Correct Ammunition

Every firearm is designed to use a certain caliber or gauge of ammunition. It is important that you use the correct ammunition for your firearm. Information on the correct ammunition to use with your firearm appears in the firearm's instruction manual and the manufacturer's markings on the firearm itself. Use of the wrong ammunition, improperly reloaded ammunition or corroded ammunition can result in the destruction of the firearm, serious personal injury and/or death. Form the habit of examining every round of ammunition before you put it into your gun to ensure it is of the proper gauge or caliber and that it is in good condition.

⚠ Commandment #6

If Your Gun Fails to Fire When the Trigger Is Pulled, Handle With Care

If a cartridge or shell does not fire when the trigger is pulled, follow Commandment #1 and keep the firearm's muzzle pointed in a safe direction. Keep the muzzle pointed away from your face and anything you do not intend to shoot and wait at least 30 seconds (to ensure that the ammunition is not delayed in firing) before carefully opening the action, unloading the firearm and safely disposing of the ammunition.

⚠ Commandment #7

Always Wear Eye and Ear Protection When Shooting

Exposure to shooting noise can permanently damage hearing. Flying debris, such as powder residue and ejected cartridge cases can injure your eyes. Thus, it is only common sense to wear both eye protection (such as shooting glasses) and ear protection (such as a sound muffling headset) whenever shooting. Also, wear eye protection when cleaning or disassembling your gun to ensure that cleaning solvent and tensioned parts (such as springs), do not come into contact with your eyes.

⚠ Commandment #8

Be Sure the Barrel Is Clear of Obstructions Before Shooting

Discharging a firearm with an obstruction in the barrel can result in personal injury, property damage or death.

Before you load your firearm, check the chamber and magazine to ascertain that no ammunition is inside. Also, check the inside of the barrel (called the “bore”) to ensure it is free of obstructions. Even a small amount of mud, snow or excess lubricating oil or grease in the bore can cause excessive pressures resulting in a bulged or burst barrel which can injure or kill the shooter and bystanders. It’s a good idea to make a habit of cleaning the bore and checking for obstructions with a cleaning rod just before each shooting session. If the noise or recoil experienced upon firing seems low or weak, or something doesn’t feel “right,” cease firing immediately and check to make sure that there is no obstruction in the barrel. Placing an undersized shell or cartridge into a gun (such as a 20 gauge shell in a shotgun chambered for 12 gauge ammunition) can result in the smaller round of ammunition falling into the barrel and acting as an obstruction. When a round is subsequently fired, the barrel may burst causing injury to the shooter and bystanders. For reference, re-read Commandment #5.

⚠ Commandment #9

Do Not Alter or Modify Your Gun and Have It Serviced Regularly

Firearms are complex mechanisms that are designed to function properly in their original condition. Any alterations or changes made to a firearm after its manufacture can make the gun unsafe and will void its warranty. Do not jeopardize your safety or the safety of others by altering the trigger, mechanical safety or other mechanisms of your firearm. You should have your firearm periodically checked for proper functioning and serviced by a qualified gunsmith.

⚠ Commandment #10

Learn the Mechanical and Handling Characteristics of Your Firearm

Not all firearms operate the same way. The method of carrying, handling and operating firearms varies with the mechanical characteristics of each gun. Thus, you should never handle any firearm until you become familiar with the safe handling, loading, unloading and carrying procedures for that particular firearm, as well as the rules for safe gun handling in general.

⚠ LEAD WARNING!

Discharging firearms in poorly ventilated areas, cleaning firearms or handling ammunition may result in exposure to lead and other substances known to cause birth defects, reproductive harm and other serious injury. Have adequate ventilation at all times when shooting. Wash hands thoroughly after exposure.

Basics of Safe Gun Handling

1. Always keep the muzzle pointed in a safe direction.
2. Firearms should be unloaded when not actually in use.
3. Don't totally rely on your gun's safety.
4. Be sure of your target and what's beyond it.
5. Use the correct ammunition for your firearm.
6. If your gun fails to fire when the trigger is pulled, handle with care.
7. Always wear eye and ear protection when shooting and cleaning.
8. Be sure the barrel is clear of obstructions before shooting.
9. Don't alter or modify your firearm and have your firearm(s) serviced regularly.
10. Learn the mechanics and handling characteristics of the firearm you are using.

Safe gun handling depends on you! A safe shooter is a knowledgeable shooter.

2. FEATURES

- Quality Mec-Gar double stack hi-cap magazine.
- Better shooting precision.
- Longer life.
- The slide locks to the rear after the last bullet is fired.
- Rear sight and front sight are equipped with a low light sighting system that enables fast sight alignment for quicker target acquisition in low and poor light conditions.
- Barrel manufactured using Cold Forging Technology
- Double Action / Single Action
- All internal parts are chrome plated.
- Rail for light or laser.
- Slide stop, safety detent and magazine catch designed for both left-handed and right-handed shooters.
- Loaded chamber indicator.

3. TECHNICAL SPECIFICATIONS

CALIBER	9 mm Para	.40 S&W
LENGTH (in.)	7.00	7.00
HEIGHT (in.)	5.00	5.00
WIDTH (in.)	1.35	1.35
WEIGHT (with empty magazine) (lbs.)	2.20	2.20
BARREL LENGTH (in.)	3.75	3.75
MAGAZINE CAPACITY	10 - 13	10

SA, SINGLE ACTION

It operates the trigger mechanism of the gun with a single action. The hammer is cocked manually and the gun fires after the trigger is pulled. Trigger pull is lighter for more accurate shooting.

DA, DOUBLE ACTION

It operates the trigger mechanism of the gun with double action. When the hammer is not cocked, the trigger is pulled one time and the gun fires. The trigger pull is higher than the single action because the hammer is cocked with trigger pull.

4. OPERATING INSTRUCTIONS

Ammunition

It is very important to use the proper ammunition which is printed on the barrel of your firearm. Use of improper or damaged ammunition harms the gun and can result in injuries. Even a single improper or damaged cartridge is enough to damage your gun. It takes just a few seconds to check the cartridges while loading the magazine.

Firearms are designed, manufactured and tested according to factory manufactured ammunition conforming to SAAMI or C.I.P. standards. Manually loaded or reloaded ammunition has different pressure values than the values determined by the standards and this may harm the gun and the shooter.

Wet or water-soaked ammunition should be discarded for safety purposes. No oil or solvent like oil should be applied on the ammunition. Use of improper or damaged ammunition may result in a jam and damage to the gun or injury to the shooter.

How to release the magazine

While holding the gun with your left or right hand, push the magazine catch with your thumb or middle finger (**Figure 2**). The magazine will be released so that you can insert the reserve magazine.

How to load and unload the magazine

Loading

⚠ Warning! Follow all safety rules in this manual while loading the pistol, including keeping it **pointed in a safe direction and keeping your fingers off the trigger and outside the trigger guard**. Failure to do so may result in serious injury or death in the event that the gun discharges.

⚠ Warning! The Stingray-C pistol, like many other firearms, could possibly discharge when the slide closes, even without the trigger being pulled! This could occur due to defective ammunition (high primer, etc.), debris on the bolt face, mechanical malfunction or other causes. To avoid property damage, serious injury or death, load **ONLY** when pointing the pistol in a safe direction.

- Before loading, make sure the inside of the barrel is free of dirt or other obstructions.
- Always check each cartridge, to ensure it is of the correct caliber, before loading the firearm.
- Keep fingers away from the trigger while loading.
- Keep muzzle pointed in a safe direction.

Hold the magazine tightly when in upright position. Hold the bullet on the magazine follower in such a way that the base of the bullet will be right in front of the feed lips on the top part of the magazine. Put in the bullet under the feed lips and push it until the base of the bullet touches the straight part of the back of the magazine (**Figure 3**). Repeat until the magazine is fully loaded. The number of bullets in the magazine can be verified through the holes on the side of the magazine.

Unloading

Hold the magazine tightly and push the bullets from the back to the front using the thumb of the hand you are using. Repeat this movement until the magazine is empty.



Figure 2



Figure 3

How to load and fire the gun

⚠ WARNING! Follow all safety rules and procedures in this manual.

- Use proper eye and ear protection
- Keep the pistol pointed in a safe direction at all times, keep the safety lever engaged and your finger off the trigger and outside the trigger guard until the pistol is aimed at a proper target and you intend to fire.

Failure to strictly follow these and the other safety rules in this manual and any accompanying literature can result in serious injury or death.

⚠ WARNING! The Stingray-C is a semi-automatic pistol. When you fire it, it will automatically extract and eject the fired case and feed a live round of ammunition from the magazine into the chamber. Thus, after firing a shot, the Stingray-C pistol will be ready to fire again if the trigger is pulled. Be careful!

⚠ WARNING! The pistol will fire if the magazine is removed and if the trigger is pulled when a cartridge is in the chamber.

⚠ WARNING! If dropped, any firearm could fire when there is a cartridge in the chamber and the safety lever is in the "FIRE" position.

Perform the safety warnings in order to be sure that the pistol is unloaded. Be sure that the barrel and magazine are clean, and then insert the loaded magazine into your pistol. Always use approved eye protection and hearing protection when shooting. Hold the gun from the grip with one of your hands, and pull the slide until the slide stops, by holding the tracks on the sides of the slide with your other hand, and then release it (**Figure 4**). This movement cocks the hammer and enables the bullet to be put in the chamber. And now your gun is ready for firing. If you do not fire, then please lock the safety.



Figure 4



Figure 5

Reload the gun

After the last bullet in the magazine is fired, the slide stays back because the slide stop holds it. Release the empty magazine and insert the loaded magazine. Ensure that the slide goes back to its forward position by pulling down the slide stop with your finger (**Figure 5**). By this way, your gun is reloaded and gets ready for firing.

How to unload the gun

ALWAYS POINT THE GUN MUZZLE IN A SAFE DIRECTION!

1. Move the safety lever to safe.
2. Release the magazine by pushing the magazine lock.
3. Considering the possibility that there is a bullet in the chamber, be sure that the last bullet went out by pulling back the slide.
4. Ensure the slide is held in place by pushing the slide stop up.

Safety Equipment

The safety detent is on the left side of the body, just below the slide. The gun is secured by means of pushing up the safety detent from the front side until the red dot disappears (**Figure 6**). By this way, trigger mechanism and slide are locked. It is also possible to lock the safety in ready-for-fire position.

ALWAYS POINT THE GUN MUZZLE IN A SAFE DIRECTION!

Load the gun and point it in a safe direction. Hold the hammer with your other hand, lower the hammer until it touches the firing pin block stop (**Figure 7**). When the gun is in this position, it can be carried safely and also ready for firing.



Figure 6



Figure 7



Figure 8

Loaded Chamber Indicator

The indicator on the slide rises up automatically when you load the bullet into the chamber. This mechanism ensures you that if there is a bullet in the chamber even when your gun is in the holster just by touching the indicator with your hand. **(Figure 8)**

Rear sight - Front sight

Rear sight and front sight are designed to make aiming fast and precise. Rear sight and front sight are equipped with tritium system that enables easy aim in poor visibility and even in the dark.

How to disassemble and assemble the gun

⚠ WARNING! The pistol will fire if the magazine is removed and if the trigger is pulled when a cartridge is in the chamber.

General

This section contains disassembly and assembly operations that are necessary for the user to carry out routine maintenance of the gun. It is not recommended to disassemble other parts, and if the gun needs adjustment or repairing other than those mentioned herein, we recommend you have a gun smith perform such operations. Disassembly of the gun must be performed in a clean place and disassembled parts must be performed according to the order of disassembly.

Preliminary Preparation

Follow the instructions below before starting to disassemble the gun

ALWAYS POINT THE GUN MUZZLE IN A SAFE DIRECTION!

1. Pull the slide in reward until it is caught by the slide catch.
2. Remove the magazine.
3. Visually check that the chamber is empty.
4. Press down slide stop and allow the slide to move forward.

How to disassemble the gun

- ⚠ WARNING!** Wear eye protection, such as shooting glasses or goggles, when disassembling your firearm in order to protect your eyes from tensioned parts, such as springs, that could be dislodged during disassembly.
- ⚠ WARNING!** Before beginning the disassembly process, check to ensure the pistol is unloaded. To do so, follow the procedures detailed previously in this manual.
1. Place the hammer to its semi cocked position.
 2. Put your thumb into the trigger guard and grab the slide from the front with your other four fingers **(Figure 9)**. Slowly push back the slide until the vertical lines on the back of side and the frame are aligned.
 3. Remove the slide stop from the left side by pushing the bulge of the slide stop on the right side of the gun **(Figure 10)**. To simplify this operation, you can utilize the magazine base or an object that will not harm the plating.
 4. Remove the slide and the barrel by pushing them forward.
 5. Recoil spring, recoil spring guide and then finally the barrel are removed respectively **(Figure 11)**.

How to disassemble the magazine

To remove the magazine panel, push the magazine base forward up to 0.4 inches while pushing the magazine base lock through the hole below the magazine base. To prevent the flat spring in the magazine from being ejected which may cause injury, you should detach it from the magazine by pulling it with your other hand while holding the base with your thumb.



Figure 9



Figure 10



Figure 11

5. CARE AND CLEANING

First make sure your pistol is empty before cleaning. Always clean your pistol as soon as possible after firing to prevent buildup of shooting residue and to prevent corrosion from starting.

To maintain your pistol in good working order, it should be cleaned once or twice a year in low-humidity environments, even if it has not been fired. In a high humidity area, it may be necessary to clean your pistol as often as once a week.

Note: In freezing weather (below 32 degrees F. or 0 degrees C.) the use of a dry lubricant (instead of oil) for lubrication may work better.

To Clean the Barrel

1. Obtain a quality pistol cleaning kit and thoroughly review its instructions provided.
2. Lock the pistol's slide in the open position by pulling the slide fully to the rear.
3. To clean the barrel, select the correct caliber cleaning brush and attach it to a cleaning rod.
4. Dampen the brush with gun cleaning solvent and then push the brush through the barrel several times.
5. Remove the brush and attach a correctly-sized cloth cleaning patch to the cleaning rod and push it through the barrel several times to remove loosened fouling.
6. Repeat this process with the brush and cleaning patches until a final patch comes out clean after swabbing the bore.
7. Repeat the procedure just followed to clean the bore and other action parts.
8. Remove shooting residue from the pistol's outside by wiping surfaces with a soft cloth dabbed in solvent. Dry surfaces.
9. Finally, wipe down all outside surfaces with a soft cloth dipped in a good quality metal preservative oil.

- There may be sharp edges on parts of the firearm. Keep fingers protected by wearing a pair of protective gloves when cleaning.
- Excessive use of cleaning solvents or lubricants can adversely affect your pistol's functioning. Wipe dry the inside of the barrel before firing and ensure it is free of obstructions.
- This firearm should be checked periodically for worn or damaged parts by a competent gunsmith. This will help ensure its safe functioning and a long service life.
- Some cleaning solvents produce hazardous vapors. Read and follow the solvent manufacturer's cautions found on the product's package.
- Handling ammunition and cleaning firearms results in exposure to lead and other substances that can pose health risks. Wash your hands and face after firing your pistol or after cleaning it.

Storage

When putting your pistol away for storage, it should be thoroughly cleaned and lightly lubricated. Outside surfaces should be wiped with a light coat of good quality gun oil. CHECK TO ENSURE YOUR FIREARM IS UNLOADED BEFORE PUTTING IT AWAY FOR STORAGE BY VISUALLY EXAMINING BOTH ITS CHAMBER AND MAGAZINE. Store the pistol in a separate location from its ammunition. When the pistol is to be reused, remove all excess lubrication before firing. Make certain that the bore (inside of barrel) is dry and free of obstructions before firing.

Note: The use of reloaded, remanufactured, hand loaded or other non-standard ammunition may result in damage to the pistol and injury or death to the shooter and/or bystanders. The manufacturer cannot accept responsibility for malfunctions resulting from the use of non-standard, defective ammunition.

6. TROUBLE SHOOTING

CAUTION!

In case of any trouble occurring with your gun, point the gun muzzle in a safe direction. Never point the muzzle at yourself or someone else.

Limited Parts Replacement Warranty

The Stingray-C Pistol is warranted to be free of manufacturing defects for a period of one year from the original date of purchase of the Stingray-C Pistol from a federally licensed firearms retailer. The warranty only applies to the first retail purchaser and is not transferrable or assignable. Proof of purchase must be presented at the time any warranty claim is made. This is a one year warranty limited to replacement of manufactured parts.

Any alternations, modifications, abuse, misuse or discharge of poor quality, corrosive or defective ammunition voids the warranty.

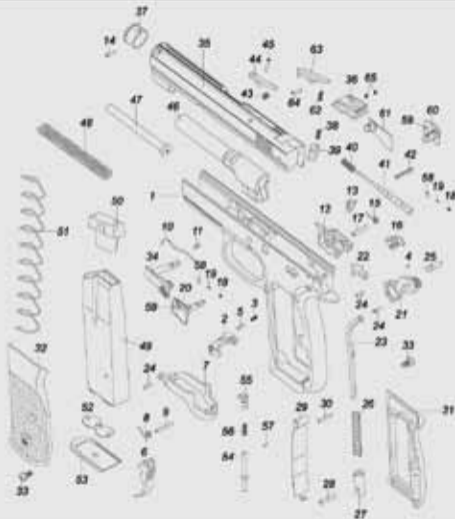
Return Authorization

To obtain warranty service, contact us at 1.800.527.1252 to get a return authorization. Please note that a return authorization must be obtained prior to returning the firearm.

Century International Arms, Inc. 236 Bryce Boulevard Fairfax, Vermont 05454 USA
Tel: 1.800.527.1252 / www.centuryarms.com

Failure	1. Problem with feeding.
	2. Problem in loading into the chamber; the bullet fails to go into the chamber completely and therefore the gun fails to fire.
	3. Problem with firing; the hammer falls, but the gun fails to fire.
	4. Problem in ejecting the empty shell case.
Reason	1. Magazine not inserted properly. Magazine not loaded properly. Dirty or damaged magazine. Double feeding. Improper ammunition.
	2. Dirty chamber. Damaged ammunition. Dirty gun. Damaged or dirty recoil spring.
	3. Damaged ammunition, dirty or damaged bolt/firing pin.
	4. Dirty or damaged chamber, extractor, ejector or ammunition.
Solution	1. Fit the magazine into its place. Reload the magazine. Clean or replace the magazine. Check the magazine for jam. Check the ejector or extractor. Replace the magazine.
	2. Clean the gun. Check damaged bullets. Check, remove, clean, oil and assemble the mechanism and check, clean and replace it if necessary.
	3. Make sure the pistol is unloaded and pointed in a safe direction, pull the trigger again, and if it fails to fire, refer to the instruction no. 7 of the safety instructions.
	4. Clean the chamber, clean or replace the extractor or ejector. Replace the ammunition.

If you can not solve the problem by the solutions specified above, then please refer to someone that is in firearm repair.



7. EXPLODED VIEW AND LIST OF PARTS

1. Frame
2. Magazine Catch
3. Magazine Catch Spring
4. Hammer Pin Plunger
5. Magazine CatchPlunger
6. Trigger
7. Trigger Bar
8. Trigger Spring
9. Trigger Pin
10. Slide Stop Spring
11. Slide Stop Pin
12. Ejector
13. Firing Pin Block Lever
14. Ring Pin
15. Sear Spring
16. Sear
17. Sear Pin
18. Safety Detent Spring
19. Safety Detent Spring Pin
20. Safety - Left
21. Hammer
22. Disconnecter
23. Main Spring Slut
24. Disconnecter Pin
25. Hammer Pin
26. Main Spring
27. Hammer Spring Plug
28. Main Spring Plug Pin
29. Flat Spring
30. Flat Spring Pin
31. Right Grip Panel
32. Left Grip Panel
33. Grip Screw
34. Slide Stop - Left
35. Slide
36. Rear Sight
37. Ring
38. Firing Pin Block Stop Spring
39. Firing Pin Block Stop
40. Firing Pin Spring
41. Firing Pin
42. Firing Pin Pivot
43. Extractor Spring
44. Extractor
46. Barrel
47. Recoil Spring Guide
48. Recoil Spring
49. Magazine Body
50. Magazine Follower
51. Magazine Spring
52. Magazine Base Lock
53. Magazine Base
54. Magazine Catch & Trigger Bar Pin
55. Trigger Bar Compulsion Piece
56. Trigger Bar Spring
57. Restriction Pin
58. Safety Detent Plunger
59. Safety Rivet
60. Safety - Right
61. Slide Stop - Right
62. Loaded Chamber Indicator Spring
63. Loaded Chamber Indicator
64. Loaded Chamber Indicator Pin
65. Rear Sight Screw

Note:

.....

.....

.....

.....

.....

.....

.....

.....

.....

.....

.....

.....

.....

.....

.....

.....

.....

.....

.....

.....

.....

.....

.....

.....

Note:

.....

.....

.....

.....

.....

.....

.....

.....

.....

.....

.....

.....

.....

.....

.....

.....

.....

.....

.....

.....

.....

.....

.....

.....

Note:
