

*Owner's Manual*  
MAG 98 SEMI-AUTO PISTOL  
Cal. 9x19MM



Congratulations on your purchase of the Mag 98 Pistol. With proper care and handling, it will give you long, reliable service. The Mag 98 is a semi-automatic pistol chambered for the 9x19mm cartridge.

We specifically disclaim any responsibility for damage or injury whatsoever, occurring as a result of the use of faulty, non-standard or remanufactured ammunition, any modifications or changes made to the firearm; improper use or unsafe handling of the firearm.

**FIREARMS SAFETY IS THE SOLE RESPONSIBILITY OF THE SHOOTER. ALWAYS TREAT ALL FIREARMS AS IF THEY WERE LOADED AT ALL TIMES!**



**IMPORTANT!**

READ ALL INSTRUCTIONS AND WARNINGS IN THIS BOOKLET BEFORE USING THIS FIREARM.



## IMPORTANT SAFETY MESSAGE

Children are attracted to and can operate firearms which can cause severe injuries or death. Prevent child access by always keeping guns locked away and unloaded when not in use. If you keep a loaded firearm where a child obtains and improperly uses it, you may be fined or sent to prison.

### Firearm Safety Depends on You

A gun is only as safe as the person operating it. You can never be overly careful when handling a firearm. Carelessness is often the cause of shooting accidents, such as failing to keep the muzzle pointed in a safe direction, not being sure of your target and what is behind it, failing to properly engage the safety, leaving ammunition in the chamber or using improper loads. Since a bullet can never be called back once fired, such errors in gun handling can result in the loss of life, severe injury or property damage thus, it is crucial for your safety and the safety of those around you that you learn the principles of safe gun handling and storage before you begin to use your new firearm. Be a safe shooter - please read this instruction book thoroughly even if this is not your first firearm purchase as not all firearms are the same. The first step in being a safe shooter is to learn the rules for the safe operation and handling of firearms. **There is nothing more important in gun handling than safety.**

### THE TEN COMMANDMENTS OF FIREARM SAFETY

The Ten Commandments of Firearm Safety must be etched into your memory before you begin to handle firearms. These rules are intended to be followed by all persons handling firearms in the field, on the range or at home. Please read, review and understand these rules before you begin to use or even take your new firearm out of its box. Remember, firearms safety depends on you! Memorizing these safety rules will help prevent gun accidents. Please study these safety rules before handling your firearm.



#### Commandment #1

##### **Always Keep the Muzzle Pointed in a Safe Direction**

This is the most basic and most important safety rule. A safe direction is one in which an accidental discharge will not cause injury to yourself, to others or property damage. This is particularly important when loading or unloading your firearm. Never point your gun at anything you do not intend to shoot. Treat every gun as if it were loaded at all times.



#### Commandment #2

##### **Firearms Should Be Unloaded When Not Actually in Use**

**Firearms should only be loaded when you are in the field or on the target range or shooting area, ready to shoot.** When not in use, firearms and ammunition should be secured in a safe place, separate from each other. Remember to unload your firearm completely so that there is no ammunition in the chamber or magazine. Before handling this or any firearm, or handing it to someone else, visually check the chamber and magazine to ensure they do not contain ammunition. Always keep the gun's action open when not in use. Never assume a gun is unloaded - even if you were the last person to use it. Never cross a fence, climb a tree, wade through a stream or perform any awkward movement with a loaded gun. When in doubt, unload your gun! Never pull or push a loaded firearm

toward yourself or another person. Never carry a loaded gun in a scabbard, a holster not being worn or a gun case - common sense prevails in gun safety!

### **Commandment #3**



#### **Don't Completely Rely on Your Gun's Safety**

**Treat every gun as though it could fire at any time, even if you are not applying pressure to the trigger.** The "safety" on a firearm is a mechanical device which, like any such device, can become inoperable at the worst possible time and fail to function. By mistake, you may think the safety is "ON" when it actually is not. Or you may think your gun is unloaded when there is actually a round of ammunition in it. The safety serves as a supplement to proper gun handling but cannot serve as a substitute for common sense. Never handle a gun carelessly and assume that the gun won't fire just because "the safety is on." Never touch the firearm's trigger until you are ready to shoot. Keep your fingers away from the trigger when loading or unloading. Never place your finger on the trigger unless you intend to fire.

### **Alcohol, Drugs and Guns Don't Mix. Make No Mistake About It!**

Never handle firearms after consuming alcohol or taking drugs that can affect your judgment. Shoot sober! Alcohol, certain kinds of drugs and firearms don't mix. Safe firearms handling requires alertness and concentration on one's actions. You cannot handle a firearm safely after consuming alcohol. Never consume anything that can impair your judgment or physical coordination when handling a firearm.

### **Commandment #4**



#### **Be Sure of Your Target - And What Is Beyond It!**

**Once fired, a bullet (or shot charge) can never be called back; so before you shoot, know where the bullet is going and what it will strike.** Be certain your shot will not injure someone or strike something beyond the target. Never fire in the direction of noise, a movement or at any object you cannot positively identify. Be aware that a .22 Short bullet can travel over 1 ¼ miles. A centerfire cartridge, such as the .30-06, can send its bullet over 3 miles. Shotgun pellets can travel 500 yards and a shotgun slug has a range of over a half mile. Make sure your shot has a safe backstop such as a hillside. Keep in mind how far the bullet will travel if it misses your intended target. Once fired, a bullet can never be called back. You are responsible for your actions and judgment.

### **Commandment #5**



#### **Use the Correct Ammunition**

**Every firearm is designed to use a certain caliber or gauge of ammunition. It is important that you use the correct ammunition for your firearm.** Information on the correct ammunition to use with your firearm appears in the firearm's instruction manual and the manufacturer's markings on the firearm itself. Use of the wrong ammunition, improperly reloaded ammunition or corroded ammunition can result in the destruction of the firearm, serious personal injury and/or death. Form the habit of examining every round of ammunition before you put it into your gun to ensure it is of the proper gauge or caliber and that it is in good condition.



### **Commandment #6**

**If Your Gun Fails to Fire When the Trigger Is Pulled, Handle With Care**  
If a cartridge or shell does not fire when the trigger is pulled, follow **Commandment #1** and keep the firearm's muzzle pointed in a safe direction. Keep the muzzle down range with the action closed and wait at least 30 seconds (to ensure that the ammunition is not delayed in firing) before carefully opening the action, unloading the firearm and safely disposing of the ammunition.



### **Commandment #7**

**Always Wear Eye and Ear Protection When Shooting**  
Exposure to shooting noise can permanently damage hearing. Flying debris, such as powder residue and ejected cartridge cases, can injure your eyes. Thus, it is only common sense to wear both eye protection (such as shooting glasses) and ear protection (such as a sound-muffling headset) whenever shooting. Also, wear eye protection when cleaning or disassembling your gun to ensure that cleaning solvent and tensioned parts (such as springs) do not come into contact with your eyes.



### **Commandment #8**

**Be Sure the Barrel Is Clear of Obstructions Before Shooting**  
Discharging a firearm with an obstruction in the barrel can result in personal injury, property damage and/or death. Before you load your firearm, check the chamber and magazine to ascertain that no ammunition is inside. Also, check the inside of the barrel (called the "bore") to ensure it is free of obstructions. Even a small amount of mud, snow or excess lubricating oil or grease in the bore can cause excessive pressures resulting in a bulged or burst barrel which can injure or kill the shooter and bystanders. It is a good idea to make a habit of cleaning the bore and checking for obstructions with a cleaning rod just before each shooting session. If the noise or recoil experienced upon firing seems low or weak, or something doesn't feel "right," cease firing immediately and check to make sure that there is no obstruction in the barrel. Placing an undersized shell or cartridge into a gun (such as a 20 gauge shell in a shotgun chambered for 12 gauge ammunition) can result in the smaller round of ammunition falling into the barrel and acting as an obstruction. When a round is subsequently fired, the barrel may burst, causing injury to the shooter and bystanders. For reference, re-read Commandment #5.



### **Commandment #9**

**Do Not Alter or Modify Your Gun and Have It Serviced Regularly**  
Firearms are complex mechanisms that are designed to function properly in their original condition. Any alterations or changes made to a firearm after its manufacture can make the gun unsafe and will void its warranty. Do not jeopardize your safety or the safety of others by altering the trigger, mechanical safety or other mechanisms of your firearm. You should have your firearm periodically checked for proper functioning and serviced by a qualified gunsmith.



### **Commandment #10**

**Learn the Mechanical and Handling Characteristics of Your Firearm**  
Not all firearms operate the same way. The method of carrying, handling and operating firearms varies with the mechanical characteristics of each gun. Thus, you

should never handle any firearm until you become familiar with the safe handling, loading, unloading and carrying procedures for that particular firearm, as well as the rules for safe gun handling in general.



## LEAD WARNING!

Discharging firearms in poorly ventilated areas, cleaning firearms or handling ammunition may result in exposure to lead and other substances known to cause birth defects, reproductive harm and other serious injuries. Have adequate ventilation at all times when shooting. Wash hands thoroughly after exposure.

## Basics of Safe Gun Handling

1. Always keep the muzzle pointed in a safe direction.
  2. Firearms should be unloaded when not actually in use.
  3. Don't totally rely on your gun's safety.
  4. Be sure of your target and what is beyond it.
  5. Use the correct ammunition for your firearm.
  6. If your gun fails to fire when the trigger is pulled, handle with care.
  7. Always wear eye and ear protection when shooting and cleaning.
  8. Be sure the barrel is clear of obstructions before shooting.
  9. Don't alter or modify your firearm and have your firearm(s) serviced regularly.
  10. Learn the mechanics and handling characteristics of the firearm you are using.
- Safe gun handling depends on you! A safe shooter is a knowledgeable shooter.**

## Introduction:

The Mag 98 is a semi-automatic pistol, with a short recoil action, and may be easily used by right or left handed shooters. A comfortable grip and appropriate balancing of the pistol ensure its great stability when shooting. Thanks to a special firing pin blocking mechanism, the Mag 98 pistol is safe when carried with a cartridge in the chamber. The firing pin is blocked until the trigger is pulled and the hammer is about to fall. THERE IS NO USER ACTUATED SAFETY LEVER. The safety is disabled when the trigger is pulled.

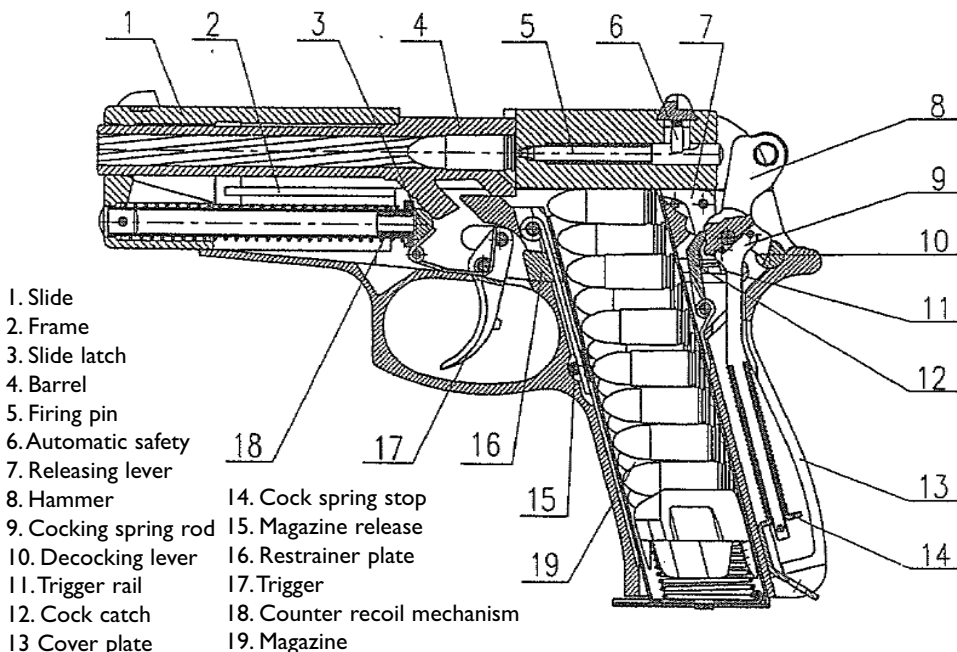
## Specifications:

Caliber:	9x19mm
Weight:	2.32 lbs.
Overall Length:	7.9"
Barrel Length:	4.5"
Height:	5.51"
Width:	1.38"
Trigger Mechanism:	Double Action

### Illustration #1

## Diagram showing major operational parts of the Mag 98 Pistol

Study of this picture will aid you in understanding the instructions in this booklet.



**WARNING!** Always ensure that the ammunition you are using is clean, undamaged and of the proper caliber before loading your pistol. The manufacturer and distributor of this pistol disclaim any liability for the use of remanufactured, reloaded or hand-loaded ammunition. Protect your investment in this fine firearm by using only factory fresh, quality ammunition. The use of improper caliber or low quality ammunition could result in injury, death and/or property damage upon firing. Remember, firearms safety depends on you!



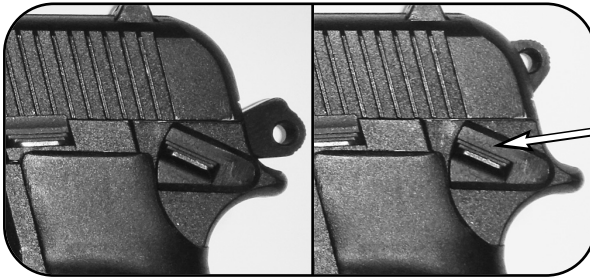
**WARNING!** Decocking by pulling the trigger will damage the safety systems of your pistol.

### To Decock the Pistol

The Mag 98 Pistol should only be decocked using the decocking lever. While pointing the pistol in a safe direction, push down on the decocking lever. (See Illustration #2). This is the only safe and recommended way to decock the pistol.

**Illustration #2**

Pistol shown in cocked position.



Push down on the decocking lever to decock the pistol.

## To Load the Pistol



**WARNING!** Before loading, make sure the inside of the barrel is free of dirt or other obstructions.

**WARNING!** Always check each cartridge to ensure it is of the correct caliber before loading the firearm.

**WARNING!** Keep fingers away from the trigger while loading.

**WARNING!** Keep muzzle pointed in a safe direction.

1. To remove the magazine from the pistol, press the magazine latch with your thumb and take the magazine out. (See Illustration #3.)
2. Load the magazine with 9x19mm ammunition by pressing the cartridges one at a time into the spring-loaded magazine's feed lips - rear of the cartridge entering the magazine first. (See Illustration #4.)
3. Slide the loaded magazine into the grip until the magazine latch snaps.
4. Keeping the muzzle pointed in a safe direction at all times, load the pistol by pulling the slide to the utmost rear position and release it. (See Illustration #5).

**Illustration #3**



**Magazine release lever**

When the magazine is empty, the slide is stopped in the rear position. To reload, replace the empty magazine with a loaded one and depress the slide catch lever. If you don't want to reload, remove the magazine, depress the slide lock and release the hammer using the decocking lever.

**Illustration #4**



**Illustration #5**





**WARNING!** The pistol is now loaded and will fire if the trigger is pulled! Handle with extreme caution and keep the muzzle (the end of the barrel) pointed in a safe direction!

## To Fire the Pistol

1. Keeping the **10 Commandments of Shooting Safety** in mind, aim the pistol downrange at the target. When firing this pistol you may need to experiment with different shooting styles until you find the method which best suits your sporting activity. Remember to always fire the pistol in such a manner that you can maintain a safe muzzle direction at all times.
2. Place your trigger finger inside the trigger guard and on the trigger.
3. Pull the trigger to fire the first round.
4. Being a semi-automatic pistol, the pistol's action (its moving parts) will cycle after the first round is fired. As the bolt moves rearward, the extractor will pull the empty cartridge case from the chamber and eject it from the pistol. (Make sure there are no bystanders in close proximity on either side of the pistol who could be injured by the ejected cartridge case or gasses expelled from the pistol.)

**Note: If the trigger is pressed again, the pistol will fire! Keep the pistol pointed in a safe direction.**



5. Firing may be continued in this manner until the magazine is empty.
6. Remove the magazine from the pistol.
7. Check the pistol's chamber to ensure it does not contain a round by pulling the slide back and then looking into the chamber through the ejection port while keeping the pistol pointed in a safe direction. When you are finished checking the chamber, release the slide.



**WARNING!** Always unload your pistol immediately after use and prior to cleaning and storage to minimize the risk of an accidental discharge. If your pistol ever fails to fire keep it pointed at the target for at least 30 seconds in the event of a hangfire (slow ignition). If the round still does not fire, remove the magazine, eject and discard the bad round. Reload the pistol to resume firing.

## Unloading the Pistol



**WARNING!** Keep muzzle pointed in a safe direction.

1. Remove the magazine. (See Illustration #3.)
2. Check the pistol's chamber to ensure it does not contain a round. (See Illustration #6.)
3. In the event that a cartridge remains in the chamber after pulling the trigger and the extractor fails to remove it (whether or not it has fired), you should remove the magazine, then work the slide several times to try to eject the cartridge. If this does not eject the cartridge, ride the slide home (slowly allow it to return to its forward position without allowing it to impact the back of the cartridge casing). Follow the instructions found in this manual to field strip your pistol before attempting to remove the cartridge. If after field stripping your pistol you are still unable to remove the cartridge casing, do not reassemble the pistol. Take the pistol to a competent gunsmith to ensure proper functioning.



**WARNING!** The pistol will fire if the magazine is removed and if the trigger is pulled when a cartridge is in the chamber.

**WARNING!** If dropped, any firearm could fire when there is a cartridge in the chamber.



## Field Stripping



**WARNING!** Before beginning the disassembly process, check to ensure the pistol is not loaded. To do so, follow the procedures detailed in the **Unloading the Pistol** section found on page 8 of this manual.

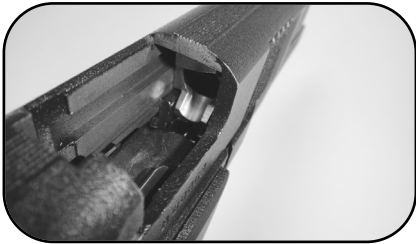


**WARNING!** Wear eye protection, such as shooting glasses or goggles, when disassembling your firearm to protect your eyes from tensioned parts, such as springs that could be dislodged during disassembly.

1. Remove the magazine from the pistol by pressing the magazine release. (See Illustration #3.)
2. Check the pistol's chamber to ensure it does not contain a round. (See Illustration #6.)
3. Move the slide to the rear position and stop it with the slide stop lever (pulling it up.) (See Illustration #7).
4. Turn the lock latch by 90 degrees and grip the slide and release the slide stop lever pressing it down. Take the slide out of the frame. (See Illustration #8).
5. Take the set of the recoil spring and barrel out of the slide. (See Illustration #9).

To reassemble, reverse steps 1-5.

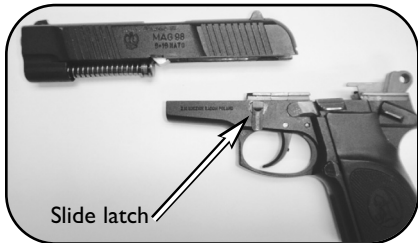
**Illustration #6**



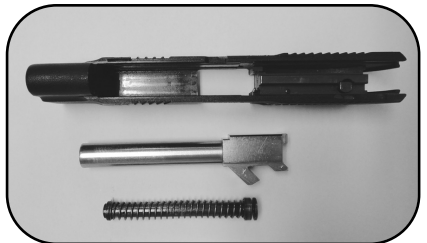
**Illustration #7**



**Illustration #8**



**Illustration #9**



## Sight Adjustment

The Mag 98 sights are adjusted by the manufacturer for the distance of 25m. The horizontal and vertical adjustment is the front sight. Moving the average hit point by 10mm on the target at the distance of 25m requires adjusting the front sight height by 0.057mm. Make adjustments in small increments and check for accuracy frequently until you are satisfied with the results.

## Adapting the Pistol for Left-Handed Users

The Mag 98 Pistol is suitable for use by both right and left-handed shooters.

For left-handed users, the magazine release may be switched to the left side as follows:

1. Remove the magazine and visually verify that the handgun is unloaded.
2. Remove the slide as shown in the field stripping directions.
3. Pull the slide stop lever upwards until disengaged from the frame and remove the lever. (See Illustration #10).
4. Pull the magazine release spring out – upwards. (See Illustration #11).
5. Take the magazine release out and switch it to the position for left hand operation. (See Illustration #12).
6. Reinstall the magazine release spring that the end remains in retaining hole in the magazine release. (See Illustration #13).
7. Reinstall the slide stop lever making sure the slide stop goes through the loop in the magazine release spring.
8. Check the proper functioning of the magazine latch on the frame by putting the magazine in and taking it out.

*Illustration #10*



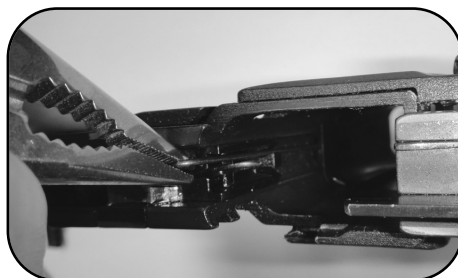
*Illustration #11*



*Illustration #12*



*Illustration #13*



## Cleaning the Pistol



**WARNING!** Before beginning the cleaning process, check to ensure the pistol is unloaded. (See the **Unloading the Pistol** section on page 8.)



**WARNING!** You should wear eye protection, such as shooting glasses or goggles, when cleaning your firearm to protect your eyes from tensioned parts, such as springs, that may become dislodged during disassembly.

1. Obtain a quality pistol cleaning kit and thoroughly review the manufacturer's instructions.
2. Follow the pistol disassembly procedures. (See page 9.)
3. To clean the barrel, select the correct caliber cleaning brush and attach it to a cleaning rod.  
**Note: Always clean the barrel from the chamber end to the muzzle.**
4. Dampen the brush with gun cleaning solvent and then push the brush through the barrel several times.
5. Remove the brush and attach a correctly sized cloth cleaning patch to the cleaning rod and push it through the barrel several times to remove loosened fouling.
6. Repeat this process with the brush and cleaning patches until a final patch comes out clean after swabbing the bore. Lightly oil the bore.
7. Remove shooting residue from the pistol's action parts and outer surfaces by wiping them with a soft cloth dabbed in gun cleaning solvent. Then be sure to remove all excess solvent and dry them.
8. Finally, wipe down all outer surfaces with a soft cloth dipped in a good quality gun oil.



**WARNING!** There may be sharp edges on parts of the firearm. Keep your fingers protected by wearing a pair of protective gloves when cleaning.



**WARNING!** Excessive use of cleaning solvents or lubricants can adversely affect your pistol's functioning. Wipe the inside of the barrel dry before firing and ensure that it is free of obstructions.

**WARNING!** Some cleaning solvents produce hazardous vapors. Read and follow the solvent manufacturer's cautions found on the product's package.

**WARNING!** Handling ammunition and cleaning firearms results in exposure to lead and other substances that can pose health risks. Wash your hands and face after firing your pistol or after cleaning it.

**WARNING!** This firearm should be checked periodically for worn or damaged parts by a competent gunsmith. This will help ensure its safe functioning and a long service life.

## Cleaning Intervals

Always clean your pistol as soon as possible after firing to prevent buildup of shooting residue and to prevent corrosion from beginning. To maintain your pistol in good working order, it should be cleaned regularly even if it has not been fired. If you live in a low-humidity area, this may mean doing a full clean once or twice a year; but if you live in a high-humidity area, it may be necessary to clean your pistol as often as once a week.

**Note: In freezing weather (below 32° F. or 0° C.), the use of a dry lubricant (instead of oil) for lubrication may work better.**

## Storage

Your pistol should be thoroughly cleaned and lightly lubricated before being put away for storage. A light coating of good quality gun oil should be applied to all exposed surfaces. Remove all excess lubrication and use a cleaning rod and cleaning patch to make sure that the bore (the inside of the barrel) is dry and free of obstructions when you remove your pistol from storage and before firing it. **CHECK TO ENSURE THAT YOUR PISTOL IS NOT LOADED BEFORE STORING IT. ALWAYS STORE FIREARMS AND AMMUNITION SEPARATE FROM EACH OTHER AND OUT OF REACH OF CHILDREN. REFERENCE YOUR HOME STATE'S FIREARMS REGULATIONS FOR SAFE STORAGE OF FIREARMS AND AMMUNITION.**

***Note: The use of reloaded, remanufactured, hand-loaded or other non-standard ammunition may result in damage to the pistol and injury or death to the shooter and/or bystanders. The manufacturer does not accept responsibility for malfunctions resulting from the such use.***

## Limited Parts Replacement Warranty

The Mag 98 Pistol is warranted to be free of manufacturing defects for a period of one year from the original date of purchase of the Mag 98 Pistol from a federally licensed firearms retailer. The warranty only applies to the first retail purchaser and is not transferrable or assignable. Proof of purchase must be presented at the time any warranty claim is made. This is a one year warranty limited to replacement of manufactured parts. Any alternations, modifications, abuse, misuse or discharge of poor quality, corrosive or defective ammunition voids the warranty.

## Return Authorization

To obtain warranty service, contact us at 1.800.527.1252 to get a return authorization. Please note that a return authorization must be obtained prior to returning the firearm.

Century International Arms, Inc.  
236 Bryce Boulevard  
Fairfax, Vermont 05454 USA  
Tel: 1.800.527.1252  
[www.centuryarms.com](http://www.centuryarms.com)

**Mag 98 Pistol, Cal. 9x19MM**  
**Distributed by:**  
**Century International Arms, Inc.**  
**236 Bryce Boulevard, Fairfax, VT 05454**  
**[www.centuryarms.com](http://www.centuryarms.com)**  
**Sales: 1.800.527.1252 - 1.561.265.4530**  
**Sales Fax: 1.561.265.4520**