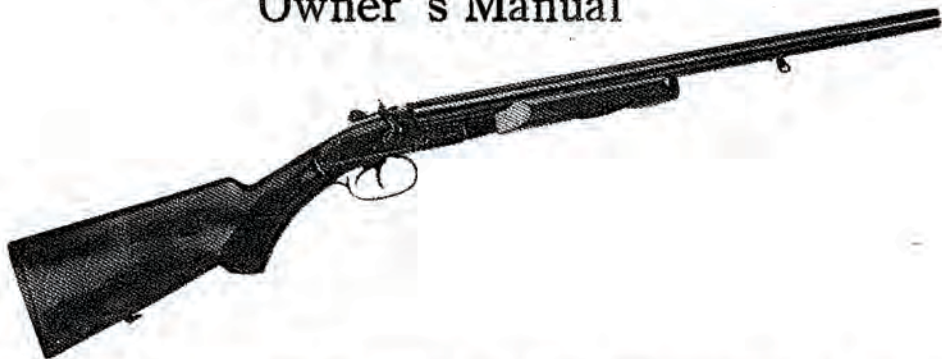


JW – 2000 Coach Gun

Owner's Manual



This Owner's Manual contains valuable information on operating safety information and should be kept with the Gun and transferred to any subsequent user and/or owner of the Gun.

Understanding and Use of Your New Coach Gun

Firearm Safety Depends on You

Read and follow the instructions before using this firearm. If you do not understand any part of the instructions or you are new to the use of firearms seek qualified instructions from the NRA, a gun shop, a gun club, a hunter safety course or law enforcement agency.

Stress gun safety to those around you and always maintain safe gun handling and storage for your firearms.

There is no way this manual can cover all instances and circumstances in the use of this or any other firearm. YOU must use good judgment anytime you handle firearms. It is up to you to be safe.

Eleven Points of Gun safety

Read each one and understand the importance of each

1. Always keep the Muzzle pointed in a safe direction

If you remember this rule the chance of an accident is greatly reduced. Never point the muzzle at something that you do not intend to shoot. Never, while handling a firearm, allow the muzzle to point at anyone or anything that you do not intend to destroy, harm or injure.

Watch where your muzzle is pointing and remind others where their muzzle is pointing while handling firearms.

When walking always carry your firearm with the muzzle in a safe direction. Think about where you are pointing your gun at all times. This is one most important rules for safe gun handling.

Keep your finger out of the trigger guard until ready to fire.

2. Unload your firearm when you are not using it

Your firearm should be unloaded any time you are not actually shooting. You should always unload your firearm when storing, traveling, or cleaning. If you only load while shooting and you are aware of the condition of the firearm, you will be less likely to have an accident. Never store the firearm loaded, this includes placing it in a holster or carrying case. Always open the action of the gun and check to be sure it is unloaded before handling or handing the firearm to another. Never assume a firearm is unloaded. When handled a firearm always check to make sure is unloaded.

Never carry a loaded firearm in an unsafe manner. Always unload first before crossing a fence, climbing, crossing streams or gullies. If you are not sure of the safety conditions unload the firearm.

3. Do not rely on the Gun's Safety

Safety devices on firearms are mechanical devices that can fail at anytime. Do not trust them for your or others safety. Again, never point a firearm at anyone or anything you do not want to fire at.

There is always a possibility of the safety failing or not being in the safe position.

Do not depend on the safety for safe gun handling.

Never touch the trigger until you are ready to fire the gun. Keep your finger out of the trigger while the safety is on. The firearm may fire when the safety is moved to the off position. Never place the safety in the half safe or between the safe and fire position, as this will not prevent an accidental discharge of the firearm.

Always keep the muzzle pointing in a safe direction no matter what position the safety is in. Do not trust the safety to prevent accidents. The firearm may discharge from impact or being dropped. Always control the direction the muzzle is pointing. The best safety is unloading the firearm and keeping the ammunition and firearm separate.

4. Make sure of your target and what is beyond. Know the range of your firearm. Do not shoot over hills, at rocks or water. Know where your pellets or bullets are going at all times. Know how far the gun will shoot. A shotgun slug will travel a half a mile. Know your target. Do not fire at noises, movement or at a target you cannot be absolutely sure of. If in doubt, do not fire. Make sure of your backstop.

Do not shoot at rocks or water, as the shots may ricochet and strike you or others.

5. Use the correct ammunition for your firearms

You must know the gauge or caliber of your firearm when purchasing or loading ammunition. The caliber or gauge is normally marked on the barrel or receiver. Some calibers are confusing. If in doubt, ask a knowledgeable person or gun dealer which ammunition fits your firearm. Failure to use the proper ammunition can cause injury or death when you fire the gun. Be careful when loading ammunition. Do not use hand-loaded ammunition that you are not sure of or has been made from salvaged components. Improper reloading is dangerous. Load only to accepted levels of pressure. Use only good quality ammunition in good condition. Damaged, wet, oily or dented ammunition can cause damage to your firearms or injury to yourself or others.

6. If your gun fails to fire when the trigger is pulled. Wait before opening the action. A delayed firing is possible

There is a possibility a cartridge will not fire when the trigger is pulled but will

delay and fire a few seconds later. This is known as hang fire. When you pull the trigger and the firearm fails to fire, WAIT! Count to ten and open the action keeping your face away from the breach of the firearm. Discard the cartridge in a safe manner. Remember to keep the gun in a safe direction even though it did not go off, it may at any moment.

7. Wear hearing and eye protection when firing or when around gunfire

You only have one pair of eyes and ears. Protect them at all times. The noise of gunfire will damage your hearing if you do not protect your hearing with proper hearing protectors. Earplugs, muffs and a combination of both are required to save your hearing. There is a possibility of eye injury from shooting. Powder, stray shot, brass from a cartridge and other objects can injure your eyes. Wear shooting glasses. It is a good idea to wear shooting glasses when disassembling and cleaning your firearm. This will protect you from springs, solvents and other items from injuring your eyes.

8. Always check to be sure the barrel is clear and free from obstructions before firing your firearm

Failure to make sure the barrel is clear can cause injury or death if the gun is fired with an obstruction. Never leave cleaning rags, brushes or anything else in the barrel. Never “shoot out” something in the barrel you will damage the firearm and may be injured or killed! If the firearm, when fired, does not recoil like normal there may be a bullet or shot stuck in the barrel. Check before firing again. Unload the firearm and visually look in the chamber and the muzzle. Make sure there is nothing in the barrel.

9. Use only a firearm in good condition and do not modify your gun

Each firearm has been designed to function properly with proper ammunition. Changing or modifying the firearm voids the warranty and can cause injury or death. Only have qualified personnel work on your firearm. If your firearm is not working properly take it to a knowledgeable gunsmith for repair. Have the gunsmith use proper parts for any repair. Take care of your firearm and it will last a long time. No firearm will last forever. With use it will wear out. Make sure your firearm is safe to use. Have it checked regularly.

10. Never mix alcohol or drugs with firearms

Firearms and shooting require 100% of your ability. You cannot be safe if you are impaired. When the guns are properly stored is the time for a drink if you so desire. If you are tired or not feeling well do not risk handling firearms in less than the best conditions. Safety is important to us all, it is your responsibility.

11. Store your ammunition and firearms properly. Protect children and others from injury or death by locking up your firearms

Keep firearms and ammunition separate from one another. Keep them locked and secure. Prevent children and those who are careless around firearms access to them. There are several types of trigger locks that will help to prevent others from using your firearm.

Understanding your new Coach Gun

Exposed hammer firearms such as this one required greater care in their operation as the hammers increase the possibility of an accidental discharge. You must use extra care in handling and using this firearm.

Trigger Block Safety

This safety is located on the top of the action of the firearm. By sliding this but-

ton forward the safety is in the fire position. If slid to the rear it is in the Safe Position. A red dot will be showing when the safety is in the fire position. Be aware that the red dot may wear off and not be visible. The Trigger Block Safety should be used at all times except when you wish to fire the gun . The Safety Buttons help to prevent accidental discharge of the firearm.

Always engage the safeties when not firing or you do not intend to fire. Never pull the trigger while the safety is engaged. The safety button is not for the replacement of good gun handling skills. A safety button is a mechanical control safety of the firearm. You are the real safety!

Lowering the Hammers

1. Place the trigger block safety in the SAFE position. This is VERY VERY important. If you should slip while lowering the hammers or mistakenly pull the wrong trigger the gun will fire unless the firing pin safety has been engaged.
2. Using your thumb hold the hammer back while pulling the trigger for that hammer. Always maintain the muzzle in a safe direction during this procedure.

NOTE: The right trigger is pulled to fire the right hammer and the left trigger

fires the left hammer.

3. Lower the hammers carefully (follow the instructions above). Do not open the barrels without lowering the hammers.

Cleaning and Lubrication

By keeping your firearm clean and lubricated, it will give you years of trouble free operation. Simple cleaning and oiling will assure proper operation.

We recommend purchase of a good quality cleaning kit and gun oil. It is much easier to use the proper equipment.

1. Once the firearm is disassembled, use a proper size cleaning brush on a cleaning rod to clean the barrels. Dip the brush in solvent to clean powder and wad residue from the barrel.

2. Remove the brush and place a patch tip on the rod. Place a clean patch on the breach end of the barrel and push it through the barrel with the rod. Repeat until the barrels are clean and shining.

3. Wipe the outside and the inside of the barrel and action with an oily cloth covering all areas with a light film.

Loading the Firearm

1. Point the firearm in a safe direction.
2. Place safety button on.
3. Push the barrel lever to open the barrels.
4. Place one loaded shell into the chamber of each barrel.
5. Close the barrels keeping the firearm pointed in a safe direction at all times.

The Firearm is now loaded and ready to fire. The gun has one shell in each chamber. The gun will fire once when the trigger is pulled for each barrel.

To Fire the Shotgun:

Note: Remember the safe gun handling rules; it is your responsibility to handle the firearm in a proper manner.

1. Pointing the gun in a safe direction, make sure the safety buttons are in the Safe Position.
2. Pull the hammers to the rear fully till they are cocked. Keep fingers away from triggers.

Do not allow your finger to slip off the hammer as it is being cocked. Care must

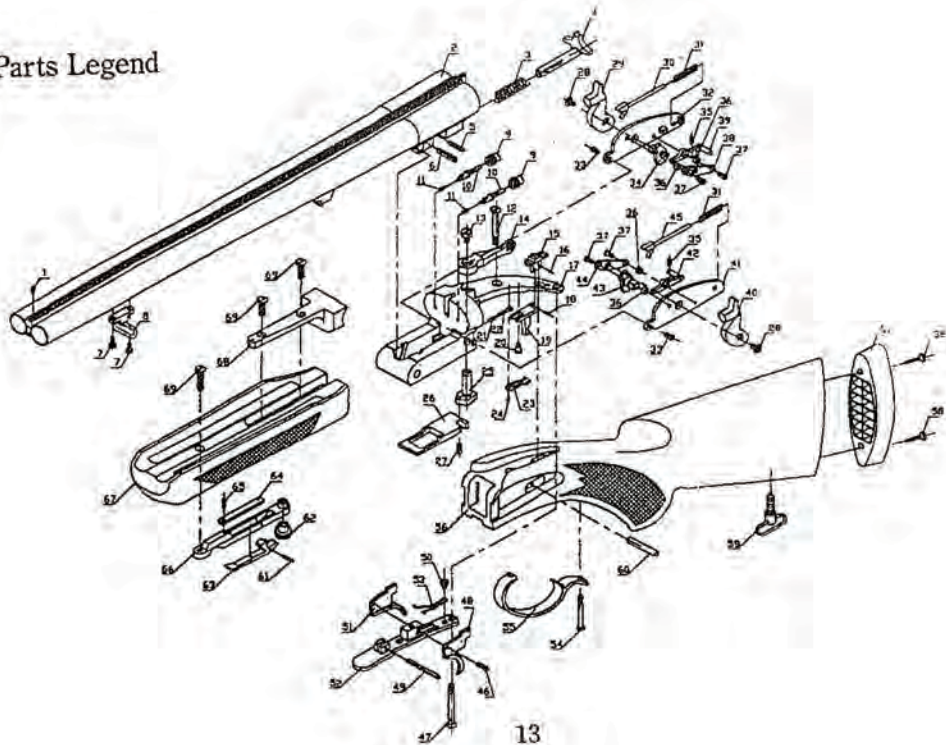
be used when cocking hammers if wearing gloves, when hands are wet, or if you have limited strength in your hands.

3. Move Safety button to the Fire Position.
4. When the gun is aimed pull the trigger firing the gun.
5. The gun will fire one time for each trigger.

PRINCIPAL TECHNICAL DATA (Depending on the model Purchased)

Caliber	12Gauge	20Gauge
Overall Length	954mm	954mm
Barrel Length	510mm	510mm
Chamber	3"	3"
Trigger Pull	15 - 20N(Right) 20 - 25N(Left)	15 - 20N(Right) 20 - 25N(Left)
Overall Weight(approx)	3.7kg	3.6kg
Effective Range	50m	50m

Parts Legend



Part NO.	Name
1	Foresight.
2	Barrels, left&right
3	Ejector spring
4	Ejector
5	Ejector spring pin
6	Ejector pin
7	Upper swivle screws, left&right
8	Upper swivle assem
9	Firing pin bases, left&right
10	Firing pins, left&right
11	Firing pin return springs, left&right
12	Receiver screw
13	Top lever screw
14	Top lever

15	Safety button
16	Safety pin
17	Receiver
18	Safety link
19	Safety
20	Safety screw
21	Locking bolt spring
22	Locking bolt spring long screw
23	Safety spring
24	Screw
25	Top lever shaft
26	Locking bolt
27	Locking bolt screw
28	Hammer screws, left&right
29	Hammer, right

30	Main spring rod, right
31	Mainspring
32	Sideplate, right
33	Sideplate screws, left&right
34	Disconnecter, right
35	Sear springs, left&right
36	Sleeve, left&right
37	Sideplate supporting block screws, left&right
38	Sideplate supporting block, right
39	Sear, right
40	Hammer, left
41	Sideplate, left
42	Sear, left
43	Disconnecter, left
44	Sideplate supporting block, left

45	Main spring rod, left
46	Trigger hinge
47	Receiver long screw
48	Trigger, left
49	Trigger guard pin
50	Screw
51	Trigger, right
52	Trigger guard
53	Trgger spring
54	Trigger guard screw
55	Trigger guard
56	Buttstock
57	Buttplate
58	Buttplate screws
59	Lower swivel assm

60	Hinge
61	Forearm lock pin
62	Forearm screw
63	Forearm lock
64	Locking buckle spring
65	Screw
66	Forearm lock base
67	Forearm
68	Forearm connector
69	Screws

This Manual Was Provided To You By:



**CENTURY
INTERNATIONAL
ARMS INC.**

www.centuryarms.com