

Owner's Manual

CENTURION UC-9 CARBINE

Cal. 9mm Parabellum



Congratulations on your purchase of the Centurion UC-9 Carbine. With proper care and handling, it will give you long, reliable service. The Centurion UC-9 Carbine is semi-automatic and is chambered for the 9x19mm cartridge.

We specifically disclaim any responsibility for damage or injury whatsoever, occurring as a result of the use of faulty, non-standard or remanufactured ammunition, any modifications or changes made to the firearm; improper use or unsafe handling of the firearm.

FIREARMS SAFETY IS THE SOLE RESPONSIBILITY OF THE SHOOTER. ALWAYS TREAT ALL FIREARMS AS IF THEY WERE LOADED AT ALL TIMES!



IMPORTANT!

READ ALL INSTRUCTIONS AND WARNINGS IN THIS BOOKLET BEFORE USING THIS FIREARM.



IMPORTANT SAFETY MESSAGE

Children are attracted to and can operate firearms which can cause severe injuries or death. Prevent child access by always keeping guns locked away and unloaded when not in use. If you keep a loaded firearm where a child obtains and improperly uses it, you may be fined or sent to prison.

Firearm Safety Depends on You

A gun is only as safe as the person operating it. You can never be overly careful when handling a firearm. Carelessness is often the cause of shooting accidents, such as failing to keep the muzzle pointed in a safe direction, not being sure of your target and what is behind it, failing to properly engage the safety, leaving ammunition in the chamber or using improper loads. Since a bullet can never be called back once fired, such errors in gun handling can result in the loss of life, severe injury or property damage thus, it is crucial for your safety and the safety of those around you that you learn the principles of safe gun handling and storage before you begin to use your new firearm. Be a safe shooter - please read this instruction book thoroughly even if this is not your first firearm purchase as not all firearms are the same. The first step in being a safe shooter is to learn the rules for the safe operation and handling of firearms. **There is nothing more important in gun handling than safety.**

THE TEN COMMANDMENTS OF FIREARM SAFETY

The Ten Commandments of Firearm Safety must be etched into your memory before you begin to handle firearms. These rules are intended to be followed by all persons handling firearms in the field, on the range or at home. Please read, review and understand these rules before you begin to use or even take your new firearm out of its box. Remember, firearms safety depends on you! Memorizing these safety rules will help prevent gun accidents. Please study these safety rules before handling your firearm.



Commandment #1

Always Keep the Muzzle Pointed in a Safe Direction

This is the most basic and most important safety rule. A safe direction is one in which an accidental discharge will not cause injury to yourself, to others or property damage. This is particularly important when loading or unloading your firearm. Never point your gun at anything you do not intend to shoot. Treat every gun as if it were loaded at all times.



Commandment #2

Firearms Should Be Unloaded When Not Actually in Use

Firearms should only be loaded when you are in the field or on the target range or shooting area, ready to shoot. When not in use, firearms and ammunition should be secured in a safe place, separate from each other. Remember to unload your firearm completely so that there is no ammunition in the chamber or magazine. Before handling this or any firearm, or handing it to someone else, visually check the chamber and magazine to ensure they do not contain ammunition. Always keep the gun's action open when not in use. Never assume a gun is unloaded - even if you were the last person to use it. Never cross a fence, climb a tree, wade through a stream or perform any awkward movement with a loaded gun. When in doubt, unload your gun! Never pull or push a loaded firearm

toward yourself or another person. Never carry a loaded gun in a scabbard, a holster not being worn or a gun case - common sense prevails in gun safety!

Commandment #3



Don't Completely Rely on Your Gun's Safety

Treat every gun as though it could fire at any time, even if you are not applying pressure to the trigger. The "safety" on a firearm is a mechanical device which, like any such device, can become inoperable at the worst possible time and fail to function. By mistake, you may think the safety is "ON" when it actually is not. Or you may think your gun is unloaded when there is actually a round of ammunition in it. The safety serves as a supplement to proper gun handling but cannot serve as a substitute for common sense. Never handle a gun carelessly and assume that the gun won't fire just because "the safety is on." Never touch the firearm's trigger until you are ready to shoot. Keep your fingers away from the trigger when loading or unloading. Never pull the trigger when the safety is engaged or when the safety is positioned between the "SAFE" and "FIRE" positions. Never place your finger on the trigger unless you intend to fire.

Alcohol, Drugs and Guns Don't Mix. Make No Mistake About It!

Never handle firearms after consuming alcohol or taking drugs that can affect your judgment. Shoot sober! Alcohol, certain kinds of drugs and firearms don't mix. Safe firearms handling requires alertness and concentration on one's actions. You cannot handle a firearm safely after consuming alcohol. Never consume anything that can impair your judgment or physical coordination when handling a firearm.

Commandment #4



Be Sure of Your Target - And What Is Beyond It!

Once fired, a bullet (or shot charge) can never be called back; so before you shoot, know where the bullet is going and what it will strike. Be certain your shot will not injure someone or strike something beyond the target. Never fire in the direction of noise, a movement or at any object you cannot positively identify. Be aware that a .22 Short bullet can travel over 1 ¼ miles. A centerfire cartridge, such as the .30-06, can send its bullet over 3 miles. Shotgun pellets can travel 500 yards and a shotgun slug has a range of over a half mile. Make sure your shot has a safe backstop such as a hillside. Keep in mind how far the bullet will travel if it misses your intended target. Once fired, a bullet can never be called back. You are responsible for your actions and judgment.

Commandment #5



Use the Correct Ammunition

Every firearm is designed to use a certain caliber or gauge of ammunition. It is important that you use the correct ammunition for your firearm. Information on the correct ammunition to use with your firearm appears in the firearm's instruction manual and the manufacturer's markings on the firearm itself. Use of the wrong ammunition, improperly reloaded ammunition or corroded ammunition can result in the destruction of the firearm, serious personal injury and/or death. Form the habit of examining every round of ammunition before you put it into your gun to ensure it is of the proper gauge or caliber and that it is in good condition.



Commandment #6

If Your Gun Fails to Fire When the Trigger Is Pulled, Handle With Care
If a cartridge or shell does not fire when the trigger is pulled, follow **Commandment #1** and keep the firearm's muzzle pointed in a safe direction. Keep the muzzle down range with the action closed and wait at least 30 seconds (to ensure that the ammunition is not delayed in firing) before carefully opening the action, unloading the firearm and safely disposing of the ammunition.



Commandment #7

Always Wear Eye and Ear Protection When Shooting
Exposure to shooting noise can permanently damage hearing. Flying debris, such as powder residue and ejected cartridge cases, can injure your eyes. Thus, it is only common sense to wear both eye protection (such as shooting glasses) and ear protection (such as a sound-muffling headset) whenever shooting. Also, wear eye protection when cleaning or disassembling your gun to ensure that cleaning solvent and tensioned parts (such as springs) do not come into contact with your eyes.



Commandment #8

Be Sure the Barrel Is Clear of Obstructions Before Shooting
Discharging a firearm with an obstruction in the barrel can result in personal injury, property damage and/or death. Before you load your firearm, check the chamber and magazine to ascertain that no ammunition is inside. Also, check the inside of the barrel (called the "bore") to ensure it is free of obstructions. Even a small amount of mud, snow or excess lubricating oil or grease in the bore can cause excessive pressures resulting in a bulged or burst barrel which can injure or kill the shooter and bystanders. It is a good idea to make a habit of cleaning the bore and checking for obstructions with a cleaning rod just before each shooting session. If the noise or recoil experienced upon firing seems low or weak, or something doesn't feel "right," cease firing immediately and check to make sure that there is no obstruction in the barrel. Placing an undersized shell or cartridge into a gun (such as a 20 gauge shell in a shotgun chambered for 12 gauge ammunition) can result in the smaller round of ammunition falling into the barrel and acting as an obstruction. When a round is subsequently fired, the barrel may burst, causing injury to the shooter and bystanders. For reference, re-read Commandment #5.



Commandment #9

Do Not Alter or Modify Your Gun and Have It Serviced Regularly
Firearms are complex mechanisms that are designed to function properly in their original condition. Any alterations or changes made to a firearm after its manufacture can make the gun unsafe and will void its warranty. Do not jeopardize your safety or the safety of others by altering the trigger, mechanical safety or other mechanisms of your firearm. You should have your firearm periodically checked for proper functioning and serviced by a qualified gunsmith.



Commandment #10

Learn the Mechanical and Handling Characteristics of Your Firearm
Not all firearms operate the same way. The method of carrying, handling and operating firearms varies with the mechanical characteristics of each gun. Thus, you

should never handle any firearm until you become familiar with the safe handling, loading, unloading and carrying procedures for that particular firearm, as well as the rules for safe gun handling in general.



LEAD WARNING!

Discharging firearms in poorly ventilated areas, cleaning firearms or handling ammunition may result in exposure to lead and other substances known to cause birth defects, reproductive harm and other serious injuries. Have adequate ventilation at all times when shooting. Wash hands thoroughly after exposure.

Basics of Safe Gun Handling

1. Always keep the muzzle pointed in a safe direction.
 2. Firearms should be unloaded when not actually in use.
 3. Don't totally rely on your gun's safety.
 4. Be sure of your target and what is beyond it.
 5. Use the correct ammunition for your firearm.
 6. If your gun fails to fire when the trigger is pulled, handle with care.
 7. Always wear eye and ear protection when shooting and cleaning.
 8. Be sure the barrel is clear of obstructions before shooting.
 9. Don't alter or modify your firearm and have your firearm(s) serviced regularly.
 10. Learn the mechanics and handling characteristics of the firearm you are using.
- Safe gun handling depends on you! A safe shooter is a knowledgeable shooter.**



IMPORTANT SAFETY NOTICE

The Centurion UC-9 Carbine is manufactured from surplus and new firearm parts. As with all surplus firearms, it should be carefully inspected before use, preferably by a competent gunsmith! This is to ensure your safety and the safety of those around you.

Background

Based upon the combat-proven and well-respected Israeli sub-machine gun design developed by Uziel Gal in the 1950's, the 9x19mm Centurion UC-9 Carbine is a semi-automatic only, folding stock, civilian-legal variant that fires from a closed bolt. The charms of the basic design are numerous, namely offering a compact and handy pistol-caliber carbine in a rock-solid, reliable package. Feeding from an all steel, double-column magazine, the Centurion UC-9 Carbine offers a historical collectability and a lot of shooting fun.

Operational Characteristics

The 9x19mm Centurion UC-9 Carbine is a semi-automatic-only carbine, it is incapable of firing fully automatic. As with all semi-automatic firearms, once a loaded magazine is inserted and a round chambered, each trigger pull results in the chambered cartridge being fired, the fired brass being ejected and a new cartridge being loaded into the chamber. The firearm is ready to fire immediately after every trigger pull until all cartridges are fired.

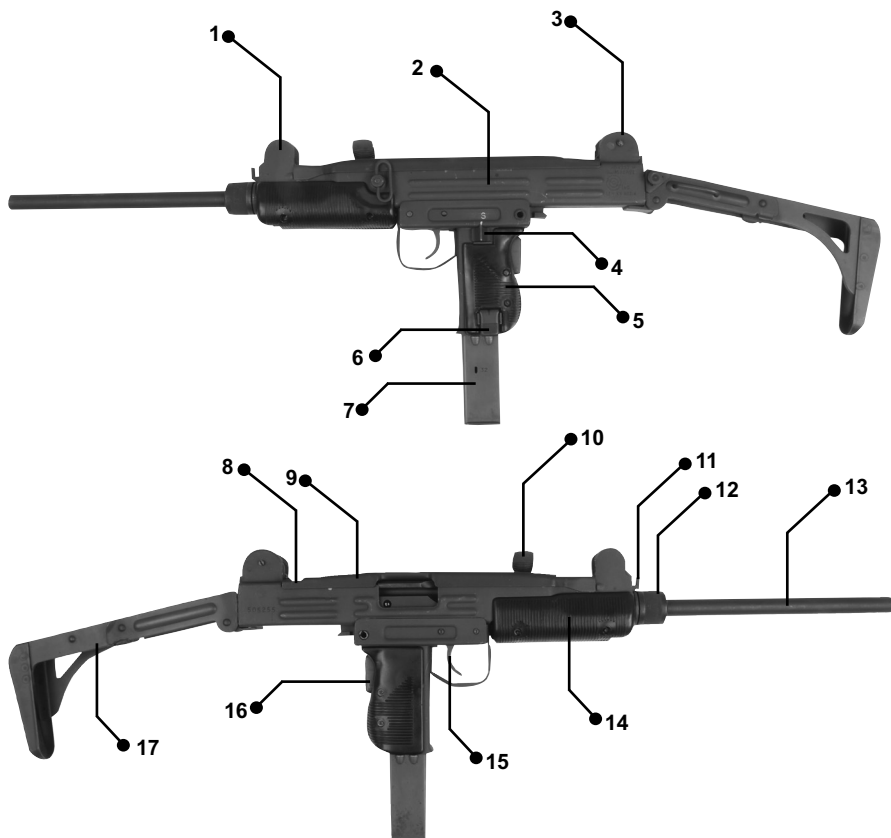
Specifications

Caliber: 9x19mm (9mm Parabellum or 9mm Luger). *Type of firearm:* semi-automatic, straight blow-back, closed bolt carbine. *Approximate muzzle velocity:* 1,200 f.p.s. *Overall length:* 31.5 inches. *Height without magazine:* 7.25 inches. *Barrel length:* 16 inches. *Weight with empty magazine:* 9 pounds. *Trigger pull:* 9 pounds. *Magazine capacity:* 32 rounds (may be lower in some areas due to local laws). *Rear sight:* winged dual-aperture peep with 100 meter and 200 meter settings. *Front sight:* winged post.

Illustration #1

Diagrams showing major operational parts of the Centurion UC-9 Carbine

Study of these pictures will aid you in understanding the instructions in this booklet.



1. Front sight

2. Receiver

3. Rear sight

4. Safety

5. Pistol grip

6. Magazine catch

7. Magazine

8. Receiver cover catch

9. Receiver cover

10. Cocking Knob

11. Barrel retaining nut
catch

12. Barrel retaining nut

13. Barrel

14. Handguard

15. Trigger

16. Grip safety

17. Stock

To Unfold/Fold the Stock

Unfolding

1. Grip gun in left hand, under the forend in front of the trigger guard, point barrel in a safe direction.
2. Push down on the butt plate with palm of right hand. (See Illustration #2.) The butt section should disengage from its catch. You may have to lightly strike the butt in a downward direction to disengage it.
3. Grasp butt plate and pull rearward until stock locks.

Folding

1. Grasp gun under handguard, keep the barrel pointed in a safe direction.
2. Press right rear side plate adjacent to hinge pin in, and rotate rear section forward. (See Illustration #3.)
3. Press in locking button located adjacent to rear of receiver and rotate assembly downward and forward until assembly contacts underside of receiver. (See Illustration #4.)
4. While maintaining a safe muzzle direction, rotate gun until pistol grip is upward. Push the butt plate firmly downward with your hand snapping it into position. (See Illustration #5.)

Illustration #2

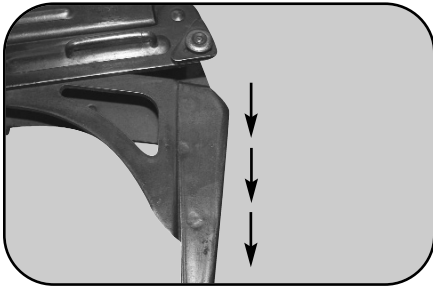


Illustration #3

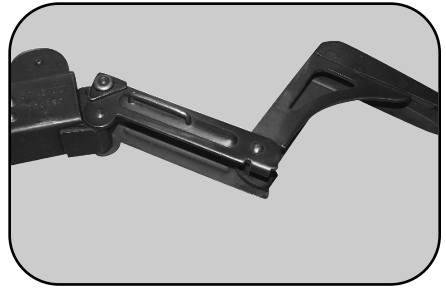


Illustration #4

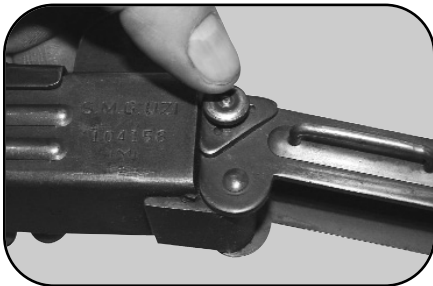


Illustration #5



WARNING! Always ensure that the ammunition you are using is clean, undamaged and of the proper caliber before loading your firearm. The manufacturer and distributor of this firearm disclaim any liability for the use of remanufactured, reloaded or hand loaded ammunition. Protect your investment in this fine firearm by using only factory fresh, quality ammunition. The use of improper caliber or low quality ammunition could result in injury, death and/or property damage upon firing. Remember, firearms safety depends on you!

To Load the Magazine

1. First, verify that the firearm is empty and on "SAFE." While keeping your finger off of the trigger, locate the safety that is positioned above the left grip panel. It should be pushed back to the white-marked "S" (SAFE) position and not set to the forward red-marked "F" (FIRE) position. (See Illustration #6.)



WARNING! Pulling the trigger when the safety lever is in a forward position will result in firing a round. To avoid serious injury, death or causing property damage, make sure you know the “SAFE” and “FIRE” positions of the safety lever before attempting to load your firearm!

2. If the magazine is installed in the carbine, remove it by pressing down on the grooved base of the magazine catch located at the base of the left grip panel. (See Illustration #7.) The magazine itself may now be pulled down and free of the pistol grip. Once the magazine is removed, use the cocking knob located on top of the carbine to retract the action and verify the chamber is clear of cartridges. (See Illustration #8.)
3. Cartridges (9x19mm Parabellum) can now be loaded into the magazine by orienting them properly (bullet pointing forward) and pressing them down until they roll under the magazine lips. As it is a double-column magazine, consecutive rounds are rolled down under opposing feed lips until the magazine is filled to capacity (maximum capacity with a standard magazine is 32 rounds). **Note: To minimize the risk of personal injury, death or property damage, loading of the magazine should only be done when you are about to shoot.**

Illustration #6



Illustration #7



Illustration #8



To Load the Carbine



WARNING! Before loading, make sure the inside of the barrel is free of dirt or other obstructions.

WARNING! Always check each cartridge to ensure it is of the correct caliber before loading the firearm. 9mm Parabellum, 9mm Luger and 9x19mm are all the same caliber and are interchangeable. **DO NOT** use 9mm Makarov, 9x18mm, .380 ACP, 9x21mm, etc. ammunition in this firearm.

WARNING! Keep fingers away from the trigger while loading.

WARNING! Keep muzzle pointed in a safe direction.

WARNING! When the safety is pushed rearward to the white “S” position, the carbine is on “SAFE.” When the safety is pushed forward to the red “F” position, the carbine is in the “FIRE” mode. (See Illustration #6.) In addition to the manual safety, the carbine also features a grip safety (See Illustration #9) located on the rear of the pistol grip. The grip safety must be compressed fully by the operator’s firing hand for the carbine to fire when the safety is disengaged and the trigger pulled. To ensure your safety, make sure you are familiar with these safety features before attempting to load the carbine!

1. Place the carbine on “SAFE” (See Illustration #6) by pushing the safety button to the rear.
2. Load magazine as previously described.
3. Keep carbine pointed in a safe direction with your finger off of the trigger and the safety engaged (rear white “S” position). Insert the magazine up into the pistol grip area of the carbine, making sure the magazine is oriented correctly with the cartridges pointing forward. Push the magazine up until it seats positively. Pull down on the magazine slightly to make sure it is securely locked in position.

Illustration #9



4. Keeping your finger off the trigger, pull back on the cocking knob (See Illustration #8) until it is retracted fully. Then, release it to run forward under spring pressure. During this movement, the bolt will strip a round from the magazine and move it into the chamber, readying the carbine for firing.



WARNING! The carbine is now loaded and will fire if the safety lever is moved to the “FIRE” position and the trigger is pulled! Handle with extreme caution and keep the muzzle (the end of the barrel) pointed in a safe direction!

WARNING! The carbine is now loaded with a round in the chamber and the striker is cocked. Handle with care!

WARNING! The carbine is now loaded and will fire if the safety is moved forward to the “FIRE” position, the grip safety is compressed and the trigger is pulled.

To Fire the Carbine



WARNING: Firearms expel burning powder residue and issue a loud report when fired. The use of shooting glasses (to protect your eyes) and sound muffers (to protect your hearing) are mandatory when discharging firearms.

1. Keeping the 10 Commandments of Shooting Safety in mind, aim the carbine downrange at the target.
2. Move the safety to the forward “FIRE” position.
3. Align the sights on the target.
4. Place the trigger finger inside the trigger guard and on the trigger.
5. Press the trigger fully back to fire the first round.
6. As this is a semi-automatic carbine, after the first round is fired, the carbine’s action (the moving parts) will cycle. As the bolt moves rearward under recoil, the fired case is extracted from the chamber and ejected out of the ejection port (make sure no bystanders are close by who could be hit by the ejecting cartridge casing). **Note: If the trigger is pressed again, the carbine will fire! Keep the carbine pointed in a safe direction.**
7. Firing may be continued in this manner until the magazine is empty.
8. When firing is done, move the safety back to the “SAFE” position.
9. Remove the magazine from the carbine and operate the cocking knob several times. Check the carbine’s chamber for any remaining cartridges. If found, remove and store the cartridges separately from the carbine in a place inaccessible to unauthorized persons.



WARNING! Always unload your firearm immediately after use and prior to cleaning and storage to minimize the risk of an accidental discharge. If your firearm ever fails to fire, keep it pointed at the target for at least 30 seconds in event of a hangfire (slow ignition). If the round still does not fire, remove magazine, eject and discard the bad round. Reload the firearm to resume firing.

WARNING! The carbine will fire if the magazine is removed and if the trigger is pulled when a cartridge is in the chamber.

WARNING! Any firearm, if dropped, could fire if there is a cartridge in the chamber and the safety is in the “FIRE” position.

Unloading the Carbine



WARNING! Keep muzzle pointed in a safe direction.

1. Place the safety in the rear “SAFE” position.
2. Press the magazine catch and remove the magazine.
3. Pull the cocking knob fully to the rear and, while holding it back, look into the chamber to verify there are no cartridges within the chamber. **MAKE SURE NO CARTRIDGE IS IN THE CHAMBER.**
4. Remove any cartridges in the removed magazine by sliding them forward and out from under the magazine lips.

When storing the carbine, keep the safety in the “SAFE” position. Store magazines and ammunition separately from the carbine.

Disassembly



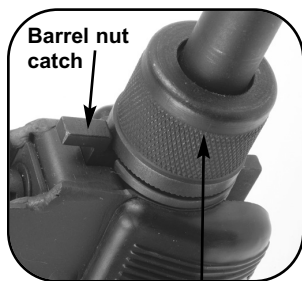
WARNING! Wear eye protection, such as shooting glasses or goggles when disassembling your firearm to protect your eyes from tensioned parts, such as springs, that could be dislodged during disassembly.



WARNING! Before beginning the disassembly process, check to ensure the firearm is unloaded. To do so, follow the procedures detailed previously in this manual.

1. Remove the magazine. (See Illustration #7.)
2. Clear the chamber of any cartridges.
3. To remove the carbine’s barrel, depress the barrel retaining nut catch (See Illustration #10) and unscrew the barrel retaining nut.
4. Pull the barrel forward out of the receiver and free of the carbine. Note the orientation of the flats on the stop lug on the middle of the barrel and their relationship to the flats on the threaded lug on the forward portion of the receiver that accepts the barrel retaining nut.
5. To remove the receiver cover, hold down the cover and depress rearward the receiver cover catch located on the forward face of the rear sight. (See Illustration #11.) The receiver cover can now be lifted up and off of the carbine.
6. To remove the bolt assembly, pull the bolt assembly rearward a short distance and then pull it and the striker assembly up, forward and out of the receiver. (See Illustration #12.)
7. The upper recoil spring assembly and complete striker assembly can now be removed from the rear of the bolt assembly. Do not remove the spring connected to the striker assembly.

Illustration #10



Barrel nut

Illustration #11



Illustration #12



8. The carbine is now broken down into its seven major components (barrel, barrel retaining nut, receiver body, receiver cover, bolt assembly, striker assembly and recoil spring assembly).

NO FURTHER DISASSEMBLY IS REQUIRED FOR ROUTINE MAINTENANCE.

Reassembly

To reassemble your firearm, reverse steps 1-8 under disassembly starting on page 10.

Note on reinstalling the bolt assembly:

When seating the bolt assembly back in the receiver, seat the recoil and striker spring assemblies in the rear of the receiver. Pull the bolt assembly rearward a short distance and then sit it down into its raceway. When seated, allow it to move fully forward and then make sure it can be retracted backward, making sure its movement is not obstructed.

Note on reinstalling the receiver cover:

When reinstalling the receiver cover, hook the forward portion at the front of the receiver first. Then, pivot down the rear portion and close it smartly so that the receiver cover catch retains it.

Cleaning



WARNING! You should wear eye protection, such as shooting glasses or goggles, when cleaning your firearm to protect your eyes from tensioned parts, such as springs, that may become dislodged during disassembly.



WARNING! Before beginning the cleaning process, check to ensure the carbine is unloaded. To do so, while keeping the carbine's muzzle pointed in a safe direction, place the safety lever in the "SAFE" position by moving it fully rearward until an audible "click" is heard. (See Illustration #6.) Remove the magazine and lay it aside. Check the chamber by retracting the operating handle and looking into the open action to ensure there is no cartridge in the barrel chamber. Firearms can inflict death or serious injury. You can never be 'too safe.'

Cleaning Intervals

Always clean your firearm as soon as possible after firing to prevent buildup of shooting residue and to prevent corrosion from starting. To maintain your firearm in good working order, it should be cleaned once or twice a year in low-humidity environments, even if it has not been fired. In a

high humidity area, it may be necessary to clean your firearm as often as once a week. **Note: In freezing weather (below 32° F. or 0° C.), the use of a dry lubricant (instead of oil) for lubrication may work better.**

To Clean the Carbine

1. Obtain a quality firearm cleaning kit and thoroughly review its instructions provided.
2. To disassemble the firearm, refer to the disassembly section of this manual starting on page 10.



WARNING! There may be sharp edges on parts of the firearm. Keep fingers protected, such as by wearing a pair of protective gloves when cleaning.

WARNING! You should wear eye protection, such as shooting glasses or goggles when cleaning these firearms to protect your eyes from tensioned parts, such as springs, that could become dislodged during the cleaning procedures.

WARNING! Excessive use of cleaning solvents or lubricants can adversely affect your firearm's functioning. Wipe dry the inside of the barrel before firing and ensure it's free of obstructions.

WARNING! Some cleaning solvents produce hazardous vapors. Read and follow the solvent manufacturer's cautions found on the product's package.

WARNING! Handling ammunition and cleaning firearms results in exposure to lead and other substances that can pose health risks. Wash your hands and face after firing your firearm or after cleaning it.

WARNING! This firearm should be checked periodically for worn or damaged parts by a competent gunsmith. This will help ensure its safe functioning and a long service life.

Storage

When putting your firearm away for storage, it should be thoroughly cleaned and lightly lubricated. Outside surfaces should be wiped with a light coat of good quality gun oil. **CHECK TO ENSURE YOUR FIREARM IS UNLOADED BEFORE PUTTING IT AWAY FOR STORAGE BY VISUALLY EXAMINING BOTH ITS CHAMBER AND MAGAZINE.** Store the firearm in a separate location from its ammunition. When the firearm is to be reused, remove all excess lubrication before firing. Make certain that the bore (inside of barrel) is dry and free of obstructions before firing. **Note: The use of reloaded, remanufactured, hand-loaded or other non-standard ammunition may result in damage to the firearm and injury or death to the shooter and/or bystanders. The manufacturer and importer cannot accept responsibility for malfunctions resulting from the use of non-standard, defective ammunition.**

Centurion UC-9 Carbine, Cal. 9x19MM

Distributed by:

Century International Arms, Inc.

236 Bryce Boulevard, Fairfax, VT 05454

www.centuryarms.com

Sales: 1.800.527.1252 - 561.265.4530