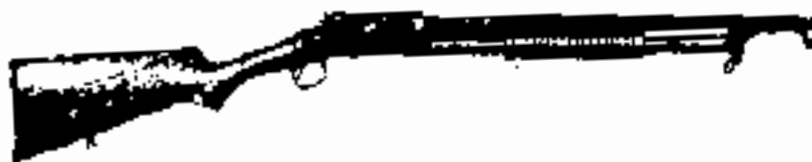


# **MODEL 97**

**MODEL 1897 SLIDE-ACTION SHOTGUN**

**OWNERS MANUAL**



**THIS OWNERS MANUAL CONTAINS VALUABLE OPERATING  
AND SAFETY INFORMATION AND SHOULD BE KEPT WITH  
THE GUN AND TRANSFERRED TO ANY SUBSEQUENT USER  
OR OWNER OF THE GUN.**

## **Introduction**

As a responsible firearm owner, you must read this owners manual thoroughly and become completely comfortable with it before you handle your shotgun.

Examine your shotgun carefully after you've read this manual and make sure you understand all of the basics associated with it. Your shotgun is as well made as modern technology allows and will give you a lifetime of reliable service, security, and pride of ownership. You, the owner, must use it intelligently.

The purpose of this owners manual is to make you thoroughly knowledgeable about your new shotgun and increase your proficiency with it. Be certain to read and fully understand everything in this owners manual before handling or shooting your new shotgun.

Model description: your shotgun is a 12 gauge  $2\frac{3}{4}$ " chamber, manually-operated , tube-fed 5 shot , pump-action , multi-purpose shotgun.

## **Warning**

Discharging firearms in poorly ventilated areas, cleaning firearms, or handling ammunition may result in exposures to lead and other substances

known to the state of California to cause birth defects, reproductive harm, and other serious physical injury. Have adequate ventilation at all times. Wash hands thoroughly after exposure.

### **Operating Features & Safety**

Your shotgun is shipped from the factory completely assembled and ready to use. Your shotgun has an exposed, external hammer which has a half-cock (safety) and a full cocked (firing) position. Although the gun will not fire in the half-cock or safe position, it should not be carried in this position unless one is about to fire or is standing by to fire with the muzzle pointed in a safe direction. For safe carrying this shotgun should be carried with the hammer fully down on an empty chamber. This shotgun must not be carried with the hammer down on a loaded chamber.

Your shotgun has a bolt release button located on the right side of the receiver. This is designed to allow you to empty the chamber of your gun in the event you change your mind and choose not to shoot. Therefore the bolt release will only function when the hammer is at full cock. The release should be operated with the index finger. All other fingers must be kept out of the trigger guard to prevent accidental discharge.

---

### **Normal Operations**

**Loading:** you have the option of loading the magazine tube fully or partially, or you may choose to shoot your gun as a single shot, loading only one round at a time.

**Loading one round only:** make sure the barrel is pointed safely down range. With the forend fully drawn rearward, drop one round directly into the chamber. Smartly move the forend forward as far as it will travel. The bolt is now closed and locked. The gun is armed and ready to fire.

**Loading the magazine tube:** for safety it is best to load your shotgun with an empty chamber. With the forend fully forward and the barrel pointed safely down range, turn the gun over so you can see the magazine follower. Push the shells directly into the magazine tube until it is latched in the tube by the shell latch. Continue the process until the magazine tube is full, or fewer if you choose. Your gun is now loaded.

### **Function & Shooting**

If the chamber was empty when loading the magazine tube you must chamber the first round before shooting. When ready, aim the gun safely

down range and using the bolt release button, manually operate the forend by pulling smartly in both directions. Your gun is now armed with the hammer at full cock and ready to fire by pulling the trigger. **Be sure to release the trigger after each shot. If the trigger is not released and you manually operate the forend, the gun will fire when the forend is pushed forward.**

To continue firing you must again operate the forend. Operating the forend does several things: when pulled to the rear it will eject the fired case from the chamber, it moves the next round from the magazine tube to the lifting plate and cocks the external hammer. When the forend is pushed forward the shell will be lifted and pushed into the chamber by the bolt. The gun is now ready to be fired again.

If you choose to stop shooting, with the barrel pointed safely down range, move the forend to the rear to eject the shell from the chamber. With the forend held in the rear position, rotate the gun to the right and the next shell on the carrier will fall out. The forend can then be pushed forward and the bolt will close on a empty chamber.

If you wish to remove the remaining shells from the magazine, invert the gun, then using your thumb and

fore finger, squeeze together the magazine release buttons on the receiver, the shells will instantly eject themselves from the magazine tube.

and out. If properly maintained your shotgun will give you a lifetime of service. The magazine may also be emptied by cycling the shells through the loading/ejecting process. To do this make sure the gun is pointed safely down range. Depress and hold the bolt release button with your right index finger (this unlocks the action) and smartly cycle the forend back and forth fully until you eject every shell from the magazine tube and chamber.

### **Maintenance**

Your gun is made of the highest quality components, as such, the parts require lubrication to work together and to prevent rust.

Buy a good quality cleaning kit and follow the instructions. Keep the barrel clean and lightly oiled inside and out. Clean the receiver/bolt area inside and out. If properly maintained your shotgun will give you a lifetime of service.

## **Safety First !**

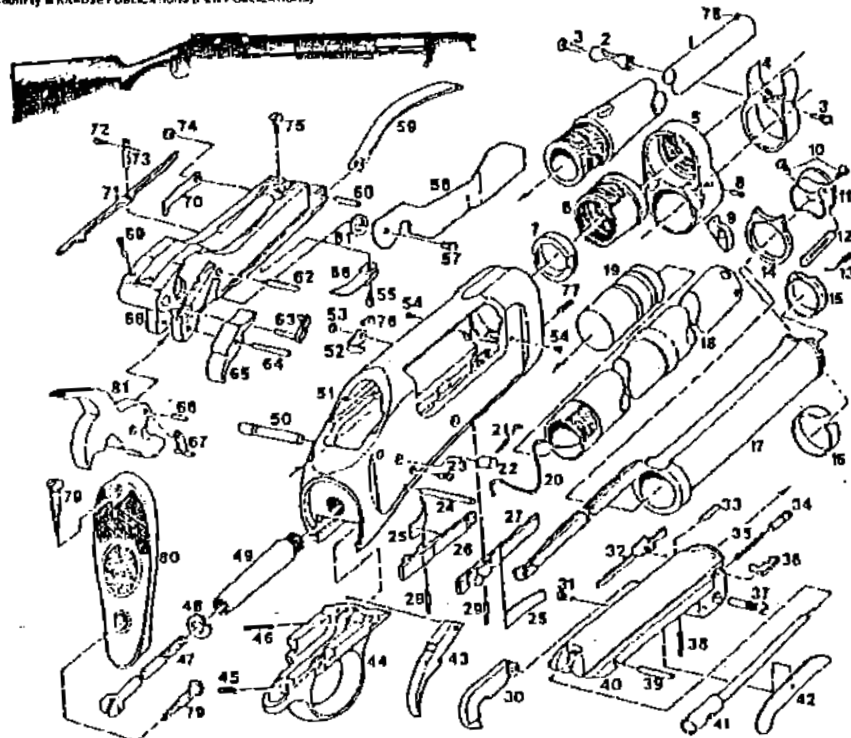
- Firearms can be dangerous and can cause serious injury or death. Proper and safe firearms handling is the responsibility of anyone who touches or uses a firearm.
- When purchasing a firearm, you assume responsibility for its safe use, storage and transportation. Particularly, it is critical that firearms be kept from unauthorized use, and this includes children. Your responsibility also includes, but is not limited to, the need to protect yourself and others from injury resulting from the misuse or abuse of a firearm.
- At all times, treat firearms as though they are loaded.
- Always be aware of where the muzzle is pointed.
- At all times, carry your firearm in a way that will preclude accidental injury to yourself or others in the event you should stumble, fall, or drop the firearm. Before shooting, make certain the barrel has no obstructions.
- Do not allow a firearm or ammunition to be left unattended. Secure both the firearm and ammunition from access by unauthorized people, including children.

- When the firearm is in an unloaded condition, the action is open and the magazine is removed, the firearm is in a safe condition.
- When shooting, always be certain that the area beyond the target, including the backstops, is clear and safe. Also make certain that shots fired present no safety hazards for yourself, or others.
  - Always use both ear and eye protection when shooting.
  - Always use factory-loaded ammunition designed for and intended to be used in the firearm you are shooting. It must be the proper caliber and type for your firearm.
  - Always understand the proper operation of your firearm, and never allow the firearm to be used by anyone who does not understand how to use the firearm properly and safely.
  - Never pass a firearm to another person unless the action is open and the firearm is in an unloaded and safe condition. Never put your finger into the trigger guard until you are ready to shoot.
  - When not using the firearm, ensure that it is unloaded.
  - Store your firearm unloaded and in an area which is secure from unauthorized access. Further, store ammunition separately, and in an area secure from unauthorized access.



# Model 1897 Slide-Action Shotgun

COURTESY OF KRAUSE PUBLICATIONS & BWP PUBLICATIONS



## KEY

- |   |                                       |   |
|---|---------------------------------------|---|
| 1 Barrel  | 29 Cartridge Stop Screw, Left         | 56 Cartridge Guide                        |
| 2 Magazine Band Bushing                         | 30 Cartridge Stop Screw, Right        | 59 Main Spring                            |
| 3 Magazine Band Bushing Screws                  | 31 Action Slide Hook                  | 60 Main Spring Pin                        |
| 4 Magazine Band                                 | 32 Firing Pin Lock Screw              | 61 Cartridge Guide Friction Spring        |
| 5 Barrel Extension                              | 33 Extractor, Left                    | 62 Hammer Pin                             |
| 6 Adjusting Sleeve                              | 34 Extractor Pin, Left                | 63 Action Slide Lock Release Plunger      |
| 7 Barrel Chamber Ring                           | 35 Extractor Plunger, Right           | 64 Sear Pin                               |
| 8 Adjusting Sleeve Lock Screw                   | 36 Extractor Plunger Spring, Right    | 65 Sear                                   |
| 9 Adjusting Sleeve Lock                         | 37 Extractor, Right                   | 66 Hammer Stutlip Pin                     |
| 10 Magazine Plug Screws                         | 38 Action Slide Hook Screw            | 67 Hammer Stirrup                         |
| 11 Magazine End Cap                             | 39 Firing Pin Lock Spring             | 68 Carrier                                |
| 12 Magazine Locking Pin                         | 40 Firing Pin Stop Pin                | 69 Carrier Pin Stop Screw                 |
| 13 Magazine Locking Pin Spring                  | 41 Breechbolt                         | 70 Action Slide Lock Spring               |
| 14 Magazine End Cap Stop                        | 42 Firing Pin                         | 71 Action Slide Lock                      |
| 15 Action Slide Sleeve Screw Cap                | 43 Trigger                            | 72 Action Slide Lock Joint Pin Stop Screw |
| 16 Magazine Tube                                | 44 Guard Bow                          | 73 Action Slide Lock Joint Pin            |
| 17 Action Slide                                 | 45 Trigger Stop Screw                 | 74 Action Slide Lock Spring Screw         |
| 18 Magazine Follower                            | 46 Trigger Spring                     | 75 Main Spring Strain Screw               |
| 19 Magazine Spring                              | 47 Buttstock Bolt                     | 76 Ejector Pin                            |
| 20 Action Slide Lock Release Plunger Pin Spring | 48 Buttstock Bolt Washer              | 77 Extension Stop Screw                   |
| 21 Action Slide Lock Release Plunger Pin        | 49 Receiver Shank                     | 78 Front Sight                            |
| 22 Cartridge Guide Stop Screw                   | 50 Carrier Pin                        | 79 Buttstock Screws                       |
| 23 Trigger Pin                                  | 51 Receiver                           | 80 Buttstock                              |
| 24 Cartridge Stop Springs                       | 52 Ejector Spring                     | 81 Hammer                                 |
| 25 Cartridge Stop, Left                         | 53 Ejector Spring Screw               |   |
| 26 Cartridge Stop, Right                        | 54 Barrel Chamber Ring Rotating Screw |   |
|   | 55 Sear Spring Screw                  |   |
|   | 56 Sear Spring                        |   |
|   | 57 Cartridge Guide Rivet              |   |
|   |                                       | 82 Action Slide Handle                    |
|   |                                       | 83 Buttstock                              |

Items 5, 6, 7, 8 and 9 are for take-down model.

This Manual Was Provided To You By:



**CENTURY  
INTERNATIONAL  
ARMS INC.**

**[www.centuryarms.com](http://www.centuryarms.com)**