

WARNING

**BEFORE USING YOUR FIREARM READ
AND FOLLOW THESE INSTRUCTIONS**



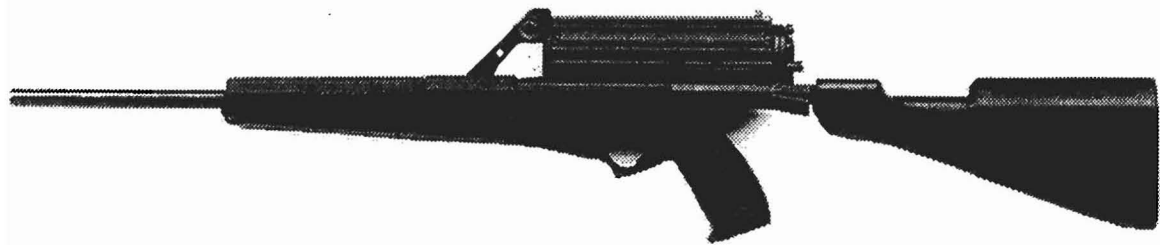
LIBERTY SERIES SEMI AUTOMATIC

9MM

SAFETY AND INSTRUCTION MANUAL

M - 8 0 6

| CONTENTS | PAGES |
|--------------------------|--------------|
| SPECIFICATIONS | 1- 3 |
| PRECAUTIONS | 4-18 |
| FEATURES | 19-22 |
| OPERATION | 23-36 |
| DISASSEMBLY/ASSEMBLY ... | 37-49 |
| CARE AND CLEANING | 50-55 |
| PARTS | 56-66 |
| ACCESSORIES | 67 |



LIBERTY 50

FOR PARTS OR SERVICE CONTACT:



**5405 SE Alexander St., Unit P
Hillsboro, OR 97123**

United States of America

Tel: (503)649-3010 Fax:(503)649-3831

Email: help@calicolightweaponsystems.com

www.calicolightweaponsystems.com

SPECIFICATIONS

CALIBRE

9mm NATO/PARA

CAPACITY

50 or OPTIONAL 100 ROUND
HELICAL FEED MAGS.

ACTION

RETARDED BLOWBACK-
CETME TYPE

MUZZLE VELOCITY

APPROX. 1300 FT/SEC.

BARREL

HEAT TREATED CHROME MOLY

RECEIVER

PRIME-CAST A-356 ALUMINUM T-6 TEMPER

FURNITURE

GLASS-FILLED POLYMER

SIGHTS

FLIP-SIGHT REAR NOTCH OR APERTURE,
ADJ. POST FRONT (WINDAGE & ELEVATION)

SAFETY

ROTATING SEAR BLOCK

EFFECTIVE RANGE

300 YDS. MAX.

NOTICE - DISCLAIMER OF LIABILITY

CALICO shall not be responsible for injury, death or damage to property resulting from either intentional or accidental discharge of this firearm, or from its function when used for purposes or subjected to treatment for which it was not designed. CALICO will not honor claims involving this firearm which result from careless or improper handling, unauthorized adjustment or parts replacement, corrosion, neglect, or the use of wrong caliber ammunition, or the use of ammunition other than original high quality commercially manufactured ammunition in good condition, or any combination thereof. CALICO will not honor claims involving this firearm for any reason or cause when such claims are made by the second or subsequent owner.

Congratulations on your purchase of a quality CALICO firearm. In acquiring your new CALICO, you have chosen a firearm ahead of all the others in innovative design. To get the most out of your CALICO, please read this manual from cover to cover before handling and operating your firearm.

WARNING: It is dangerous to alter or modify this firearm in any way. Any alteration or modification of the firing mechanism may result in this firearm becoming unsafe. Any attempt to alter or modify this firearm will nullify all warranties.

IMPORTANT:

Before it left the factory this firearm was tested, carefully inspected, and packaged. CALICO cannot control the product after it leaves the factory; therefore, please examine this firearm carefully at the time of purchase to insure that it is unloaded and undamaged. This instruction manual should always accompany this firearm and be transferred with it upon change of operator.

SAFETY

READ THIS ENTIRE INSTRUCTION MANUAL CAREFULLY. YOU MUST FOLLOW THE SAFETY INSTRUCTIONS FOR YOUR SAFETY AND SAFETY OF OTHERS.

WARNING: When you **SQUEEZE** the trigger, you must expect the gun to fire, and you must take full responsibility for firing it. Your care can avoid accidental discharge and you will thereby avoid accidental injury or death.

GENERAL FIREARMS CAUTIONS

- 1. Always handle your firearm as if it were loaded, so that you never fire it accidentally when you think it is unloaded.**
- 2. Never point your firearm at anything you do not intend to shoot, so that if you fire accidentally, injury, death, or damage to property will be prevented.**
- 3. Never take anyone's word that a firearm is unloaded: check for yourself, with fingers off the trigger and barrel pointed in a safe direction, so that you never fire the gun accidentally when you think it is unloaded.**
- 4. Always make sure your firearm is not loaded and the bolt is latched open before laying it down, or handing it to another person, so that it cannot be fired when it is unsafe to do so.**

5. Always keep and carry your firearm empty and uncocked except when you intend to shoot, so that it cannot be fired when you do not mean to fire it.
6. Always be aware of possible risk from dropping your firearm. Some parts of the mechanism could be damaged. You may not see the damage but if it is severe, the firearm may discharge and cause injury, death or damage to property. If your firearm has been dropped, examine it completely before using it again.
7. Never leave your firearm cocked ready to fire as this condition is extremely dangerous, and the firearm could easily be accidentally discharged, causing injury, death, or damage to property.

LOADING CAUTIONS

- 8. Always be sure the barrel bore, chamber and action are clean and clear of obstructions. Clean a fouled firearm immediately, so that it will function correctly and safely.**

- 9. Use only clean, dry, original high quality commercially manufactured ammunition in good condition which is appropriate to the caliber of your firearm. Gun and ammunition manufacturers design their products within exacting engineering safety limits. However, improperly stored, dirty ammunition and hand reloaded ammunition may not function properly in this firearm, possibly, causing subsequent injury, death, or property damage.**

MALFUNCTION CAUTIONS

10. Failure to fire: Always hold the firearm pointed towards the target or a safe open area and wait 30 seconds if it fails to fire. If hangfire (slow ignition) has occurred, the round will fire within 30 seconds. If it does not fire, remove the magazine, eject the round and examine the primer; if the firing pin indent on the primer is light, off center, or non-existent, have the firearm examined by your armorer. If the firing pin indent on primer appears normal (in comparison with similar previously fired rounds) assume faulty ammunition; segregate misfired rounds from other live ammunition and empty cases, reload and carry on firing.

11. Never use your firearm if it fails to function properly, and never force a jammed action, as a round may explode causing serious injury, or severe damage to your firearm.

CLEANING AND STORAGE CAUTIONS

12. Always make sure your firearm is not loaded before cleaning and storing so that it cannot be fired when it is unsafe to do so.

WARNING

If a noticeable difference in sound or recoil is experienced, **STOP FIRING**. Either condition could indicate an incomplete powder burn. Retract bolt slowly and remove fired cartridge case. Clear weapon and check for unburned powder grains in the receiver or bore and for a bullet stuck in the bore. Remove unburned powder or bullet from bore before resuming firing. If bullet is stuck in bore, return the firearm to the armorer.

IMMEDIATE ACTION AND TROUBLE SHOOTING

A failure to fire, including one caused by an empty Magazine, may be corrected by taking immediate action. Remove Magazine and wait 3 seconds with Barrel pointing in a safe direction, then inspect Magazine.

MAGAZINE EMPTY

- a. Cock to remove possible last round. Inspect Chamber and if empty, attach full Magazine, recock and continue firing.**

MAGAZINE NOT EMPTY (MALFUNCTION)

- a. Lock bolt open to clear possible defective or jammed round. If a round ejects, inspect the primer. If it is indented, assume faulty ammunition. Recock and continue.
- b. If nothing ejects, check if a cartridge or case is in chamber. If empty, check magazine for proper spring tension.
- c. If base of cartridge is visible, allow bolt to snap home and fire in a safe direction. If round fires and ejects, continue.
- d. If firearm does not fire, set fire selector on safety and follow trouble shooting procedure for 'spent case or round stuck in chamber'.

TROUBLE SHOOTING FAILURE TO FEED CAUSE

- A. Incorrect Cocking
- B. Magazine Improperly Seated
- C. Magazine Improperly Loaded
- D. Dirty Magazine
- E. Damaged Magazine
- F. Short Recoil
- G. Double Feed

FIREARM JAMS OR CLOSES ON EMPTY CHAMBER REMEDY

- Clear jam if necessary and recock.
Pull Bolt all the way back and let it snap home by itself: don't ride the Bolt Handle.
- Push Magazine home until Latches catch.
1. Check that the Magazine is fully wound - 10 turns for 50, 23 turns for 100 rounds.
- Disassemble and Clean.
- Return to CALICO for prompt repair or replacement.
- Clear jam. Check Chamber for cleanliness. Check type and condition of ammunition.
1. Inspect for stuck case or cartridge.
 2. Check Extractor and Ejector.

**FAILURE TO CHAMBER
CAUSE**

- A. Incorrect Cocking
- B. Dirty Chamber
- C. Defective Ammunition
- D. Very Dirty Receiver

- E. Defective Return Spring

**FAILURE TO FIRE
CAUSE**

- A. Bolt not Fully Closed
- B. Defective Cartridge

- C. Dirty Firing Mechanism
- D. Defective Firing Pin

**BOLT DOES NOT FULLY CLOSE & CARBINE DOES NOT FIRE:
REMEDY**

- Recock, save ejected round. Do not ride cocking handle.
- Clean
- Check for damaged cartridges or out-of-tolerance reloads.
- Check for sluggishness in Bolt and Firing Mechanism.
- Clean and oil as necessary.
- Check for recurrent sluggishness in operation.
- Check spring assembly for damage. Replace if necessary.

**STRIKER HITS HOME BUT FIREARM WILL NOT FIRE
REMEDY**

- Follow procedure for incorrect cocking or short recoil.
- Inspect Primer. If fully indented discard safely.
- If not fully indented, check Firing Mechanism.
- Check for sluggishness of operation.
- Clean and replace as necessary.

**FAILURE TO EXTRACT
OR EJECT****THE BOLT MAY NOT FULLY RECOIL, THE FIRED CASE
MAY NOT EJECT, OR THE FIREARM MAY JAM (SPENT
CASE LEFT IN CHAMBER)****CAUSE**

- A. Underpowered Ammunition
(Short Recoil)
- B. Dirty or Damaged Chamber
- C. Defective Ammunition
- D. Fouled Extractor
- E. Extractor Defective
or Missing
- F. Damaged Ejector

REMEDY

- Check Ammunition type and condition.
- Inspect, clean or return to armory for barrel inspection/replacement.
- Check ammunition for damage. Replace if problems persist.
- Clean Extractor.
- Replace
- Replace if necessary.

SPENT CASE OR ROUND STUCK IN CHAMBER

CAUTION: THE FOLLOWING PROCEDURE SHOULD BE CARRIED OUT ONLY AFTER FOLLOWING THE STEPS IN 'IMMEDIATE ACTION'

1. Field Strip, Remove Bolt.
2. Insert wood dowel through front of Barrel. Push or tap gently to remove obstruction.
3. Check Chamber and Bore. Clean before reassembly.
4. If obstruction cannot be removed, contact your gunsmith.

FEATURES

Calico Semi Automatic Firearms are unique for several reasons:

- 1) Magazine capacity of 50 to 100 rounds.**
- 2) Magazine can be stored loaded without spring fatigue.**
- 3) Pistol grip backstrap is directly behind bolt to minimize muzzle climb.**
- 4) Cartridge cases eject straight down.**
- 5) Ambidextrous safety.**
- 6) Lightweight, even when loaded with 100 rounds.**
- 7) All operational features can be manipulated without releasing pistol grip.**
- 8) Magazine location provides superior balance and permits low operator profile.**

CALICO SEMI AUTOMATIC FEATURES & SPECIFICATIONS

MAGAZINE

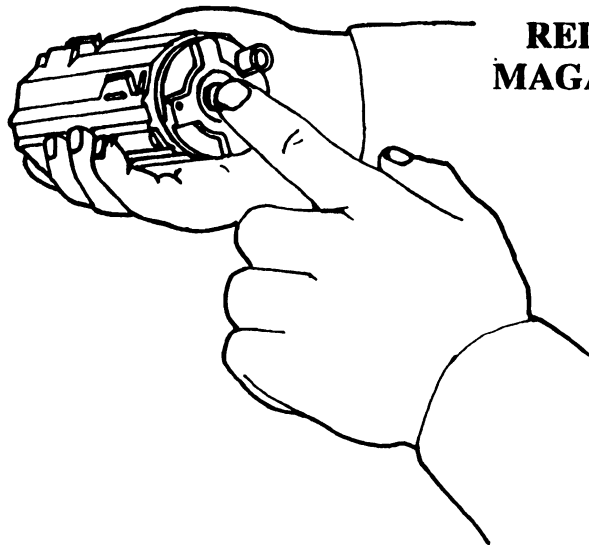
Calico helical magazines are unique in their design and function, and offer advantages of increased capacity, compactness, streamlining and balance. The 'helical feed' magazine necessarily has more parts than a conventional column-type magazine, and must be properly handled and serviced to assure safe and consistent shooting.

HOW IT WORKS

Calico magazines contain 50 or 100 rounds laying end-to-end in two layers around the **CARTRIDGE CARRIER**. The rounds are separated by a helical rib which is molded into the **OUTER SHELL**. The **DRIVE SPRING** rotates the driver, which propels the rounds along the helical 'path' in the outer shell. The energy stored by the Drive Spring is controlled by the **CLUTCH ASSEMBLY**. The **FOLLOWER** pushes the last round into the **FEED LIPS** and the **TORQUE ROD** prevents the spring from 'kinking' or being released when the Magazine is installed.

THE CALICO 9MM BOLT

The Bolt is a retarded-blowback CETME type, which allows a minimum bolt mass without the violent recoil of a straight blowback action. When the Bolt is 'in battery', or all the way forward, the Rollers carried by the floating Bolt head are wedged out by the spring-driven Bolt body. The Rollers stop against the angled face of steel inserts in the Receiver, and when a cartridge is fired the gas pressure forces the Rollers against the inserts. The Rollers are pinched together against the wedge of the Bolt body, until they can fit between the inserts, and then the whole Bolt recoils backward against the Return Spring. The CETME style Bolt is light, smooth, and safe; the Firing Pin cannot strike the Cartridge Primer unless the Bolt is 'in battery'.



**RELEASING THE
MAGAZINE CLUTCH**

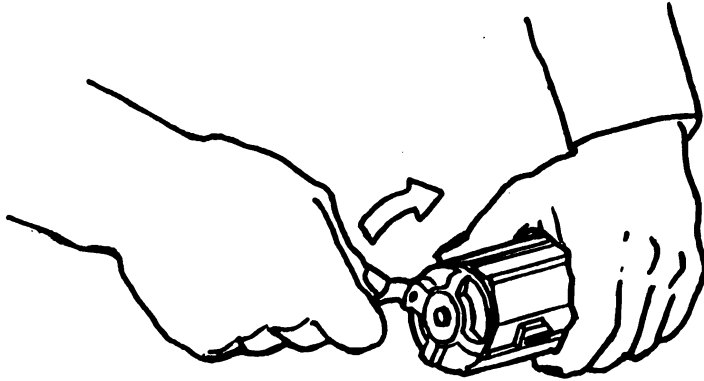
OPERATION

LOADING/UNLOADING MAGAZINE

The Helical-Feed Magazine can be loaded through the Feed Lip, one round at a time like every other Magazine. Loading 50 or 100 rounds may seem tedious, and an efficient Speedloader is available. Also, the CALICO Magazine is equipped with a Spring Release, so the rounds may be inserted into the Magazine with **NO SPRING RESISTANCE**.

To load the Magazine, first release any spring tension by pushing the Spring Release Button in the center of the Winder. Then turn the Winder just enough to make the Follower visible in the Feed Lips. Load one round by pushing the round down against the Follower until it snaps under the Feed Lips. Repeat the procedure until the Magazine is fully loaded. It will be helpful to push the Spring Release Button 2 or 3 times while loading, as the tension buildup will somewhat hamper the loading process. After loading 50 or 100 rounds into the Magazine, release all tension. Turn the Winder 10 complete turns for 50 rounds, and 23 complete turns for 100 rounds.

CHARGING THE MAGAZINE

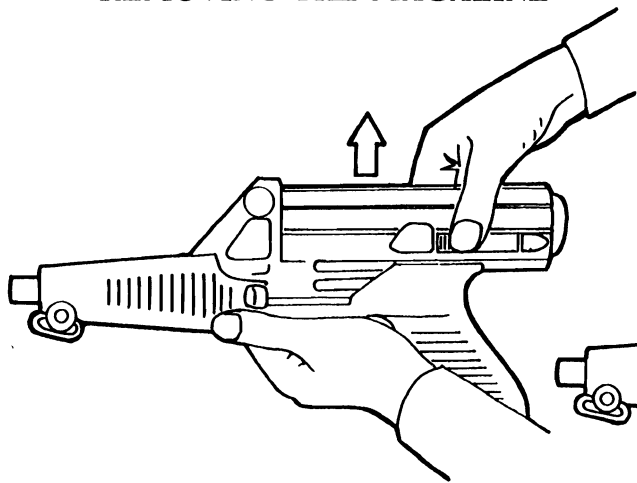
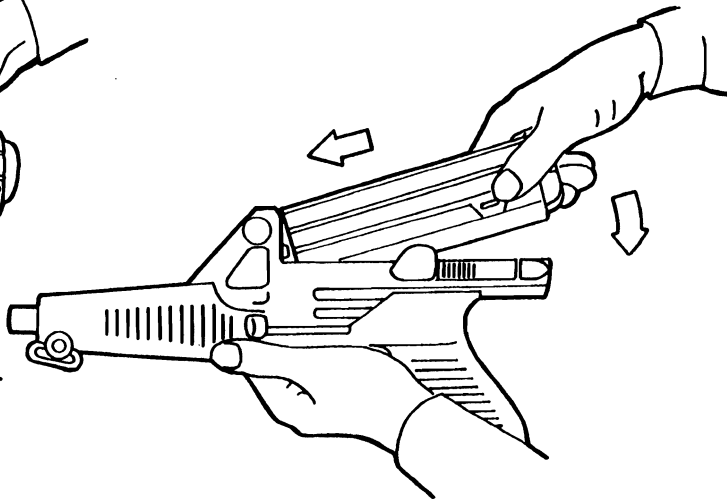


**CAUTION: DO NOT OVERWIND THE MAGAZINE. 10 COMPLETE TURNS FOR 50 ROUNDS.
23 TURNS FOR 100**

Although the Drive Spring is designed to survive overwind, overwinding may damage the Spring and will significantly increase the force necessary to strip a round from the Feed Lips. If the rotation of the Cartridge Carrier seems sluggish, or if the rounds fail to feed properly, it is most likely due to excessive fouling in the Magazine. Use only CLEAN factory ammunition for best results.

To unload the Magazine, push down on the metal Feed Lip. Use your thumbnail, a small stick or other safe blunt tool to push the lip.

NOTE: Depressing clutch button when magazine is partially loaded may cause ammunition to tumble. In this event empty magazine and reload.

REMOVING THE MAGAZINE**INSTALLING THE MAGAZINE**

INSTALLING/REMOVING MAGAZINE

Calico Magazines are quite simple to attach to the Receiver, and with a little practice the Magazines can be changed as rapidly as any magazine-fed firearm. To remove the Magazine simply place the palm of your hand over the rear portion of the Magazine and squeeze the two Magazine Latches together, as shown. A Flat Spring on the bottom of the Magazine will push the Magazine clear of the Latches and into your hand. The 50 and 100 round Magazines operate identically.

To attach the Magazine, simply place it in the Cradle of the Receiver, firmly forward so that the Pin on the Bulkhead fits into the Socket in the front of the Magazine. Press firmly down on the rear of the Magazine until the Latches snap in place. The Magazine will remain firmly fixed to the Receiver even if only one Latch is engaged, but check to make certain that both Latches are engaged in the Magazine. NOTE: The Magazine can be attached with the Bolt forward or back.

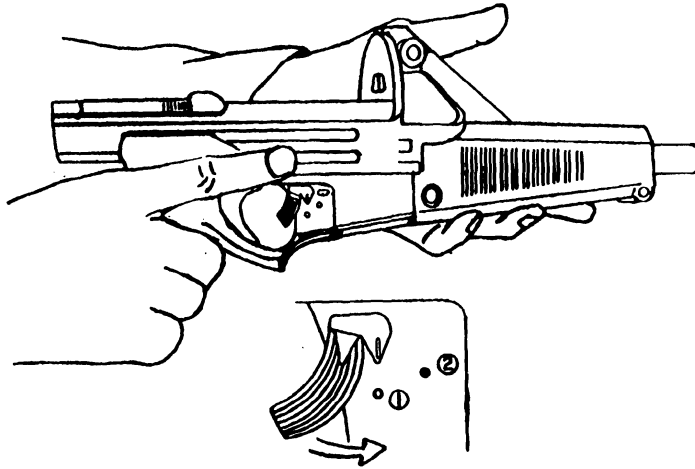
NOTE: The Magazine Clutch must be engaged, so the Magazine Rod does not protrude excessively at the front, in order to install the Magazine.

CALICO TRIGGER/SEAR

Calico Semi Automatics are equipped with an ambidextrous, double acting safety. To activate the safety, the Striker must be cocked by pulling back on the Bolt Handle. After the Striker is cocked, the Safety Lever on either side of the Trigger Guard may be rotated back exposing the White Dot, indicating 'SAFE'. Rotating the Selector Lever causes the Safety Sear to rotate inside the action housing. The selector rack interferes with the action of the Trigger so that it cannot be pulled, making the gun safe. This Trigger and Sear Block Safety should be used at all times, except when actually firing.

REMEMBER - SAFETY DEPENDS ON YOU

SAFETY



COCKING AND FIRING

With the Magazine attached, the firearm is charged by simply pulling sharply back on the Bolt Handle until it stops, and then releasing it. As the Bolt Springs forward it strips a round out of the magazine Feed Lip and puts it in the Chamber.

If a round jams while feeding, pull the Bolt Handle back, and push in the Bolt Stop to lock it back. Hold the firearm with the Ejection Port down and shake the round out. If the round is damaged in any way, discard it in a safe place.

TO FIRE:

1. Be sure you are familiar with all the safety instructions in this manual.
2. Load a charged Magazine, attach it to the firearm, and chamber a round as described.

3. Grasp the firearm by the Pistol Grip and with index finger along the outside of the Trigger Guard, take aim. Aim by aligning Front and Rear Sights.
4. Push the Safety Lever forward with your Trigger finger until stopped.
5. Place your index finger on the trigger and squeeze gently until the Striker is released. Don't jerk the Trigger as you will disturb your aim. To fire the second and subsequent rounds, all that is necessary is to release the Trigger and squeeze it again, until you have completed firing.
6. Release the Trigger, place index finger outside of the Trigger Guard, and apply the Safety by pulling it completely to the rear.

CAUTION: IF FIREARM FAILS TO FIRE, HOLD IT, KEEP IT POINTED TOWARD THE TARGET OR SAFE OPEN AREA, AND WAIT 30 SECONDS. If hangfire (slow ignition) has occurred, the round will fire within 30 seconds. If the round does not fire, remove the Magazine, eject round, and examine Primer. If Firing Pin indent on Primer is light or non-existent, examine your firearm carefully. Fieldstrip and clean if necessary. Return the firearm to CALICO for repair if situation repeats.

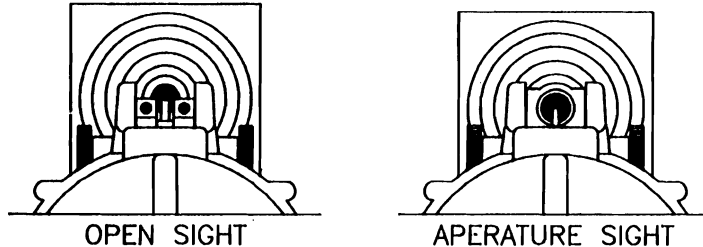
If the Firing Pin indent on the Primer appears normal, assume faulty ammunition. Segregate misfired rounds from other live ammunition. Reload and resume firing.

8. Keep the firearm pointed in a safe direction and unload as previously described. If you cock your firearm but do not fire, apply Safety until ready to fire. Remember, if there is a round in the Chamber, there is a risk of accidental discharge.

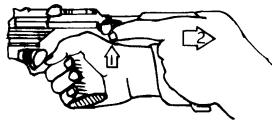
CAUTION: NEVER LEAVE YOUR FIREARM COCKED READY TO FIRE. TO DO SO IS EXTREMELY DANGEROUS AND THE FIREARM COULD BE ACCIDENTALLY DISCHARGED, CAUSING INJURY OR DEATH. SAFETY DEPENDS ON YOU.

ADJUSTING SIGHTS

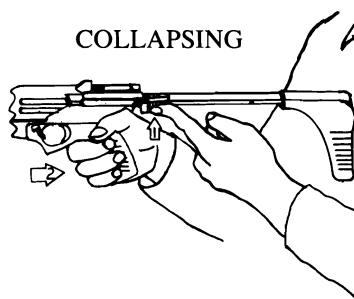
Your CALICO is equipped with a quickly adjustable Front Sight and Rear Flip-Sight. A Set Screw behind the Front Sight locks it in place. It must be loosened to adjust the sights. Spring-Loaded Detents keep the Sight Knobs in place until they are turned by hand. Each click of the Left Sight Knob changes the impact point of the bullet approximately 2 inches in elevation at 100 yards. Similarly, each click of the Right Sight Knob changes the impact point approximately 1/4 inch in windage. Arrows next to the Sight Knobs indicate direction of impact point. A proper Sight picture is necessary to shoot accurately.



EXTENDING



COLLAPSING

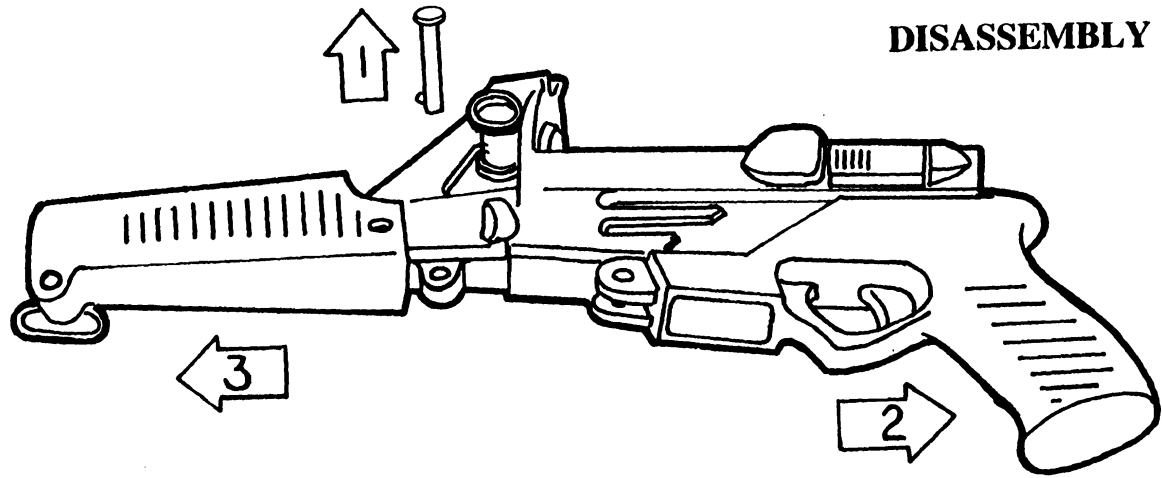
**NOTE!**

**BEFORE REMOVING EXISTING BUTT-STOCK,
NOTE ORIENTATION OF LATCH SPRING.**

- 1) REMOVE INSTALLED BUTT-STOCK BY PRESSING DOWN ON LATCH AND PULLING BUTT-STOCK OUT OF BUTT-STOCK BRACKET.
- 2) HOLDING THE FIREARM BY THE PISTOL GRIP, **BEND OUT THE ROUNDED END OF THE LATCH SPRING** LOCATED IN THE BUTT-STOCK BRACKET TOWARDS YOU.
- 3) INSTALL THE BUTT-STOCK SO THAT THE RAILS LINE UP SIMULTANEOUSLY IN THE BRACKET HOLES AND THE **ROUNDED END OF THE SPRING IS OUTSIDE** THE BRACKET BETWEEN THE CATCH AND RAIL.
- 4) PRESS LATCH AND PUSH BUTT-STOCK INTO POSITION

EXTENDING AND COLLAPSING THE BUTTSTOCK

Calico SMGS have a sliding and semi-fixed Buttstock, which latches in both the collapsed and two extended positions depending on which magazine is utilized. To extend the Buttstock, grasp the firearms' Pistol Grip with your right hand, depress the Buttstock Latch with your left index finger and pull straight back on the buttstock with your left hand until the Buttstock is fully extended. The Latch will automatically engage at full extension. To collapse the Buttstock, hold the firearm normally, depress the Latch and pull the firearm straight back with the buttstock against your chest until it automatically latches in the fully collapsed position. Left-handed shooters can operate the Buttstock in a similar manner by unlatching the stock with the blade of their right hand and pulling the butt straight back with their right hand. The buttstock will lock open in one of two positions. The short, or first position, is for shooting with 50 round magazines, while the 2nd and long position is for shooting 100 round magazines.

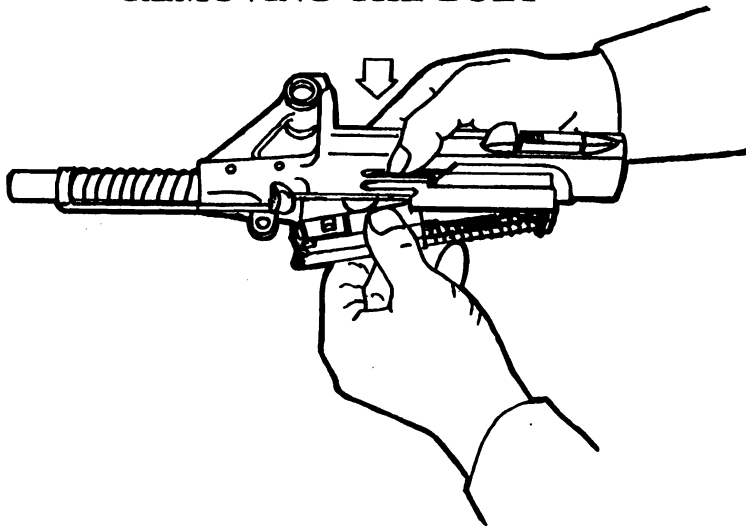


DISASSEMBLY

FIELD STRIP

First, remove the Magazine and open the Bolt to make sure the firearm is not loaded, then push the Safety forward and pull the Trigger. Pull the Retaining Pin at the rear of the Forend completely out (don't lose it), and then slide the Pistol Grip straight back until it is free. It should be snug so gentle tapping may be necessary. If it sticks solid, don't force it - push it forward and repeat the procedure. Then remove the Bolt Assembly, pushing with your index finger through the top of the Cartridge Port in the Receiver. The retaining pin may be temporarily stored in its barrel shroud hole after the pistol grip has been removed.

REMOVING THE BOLT

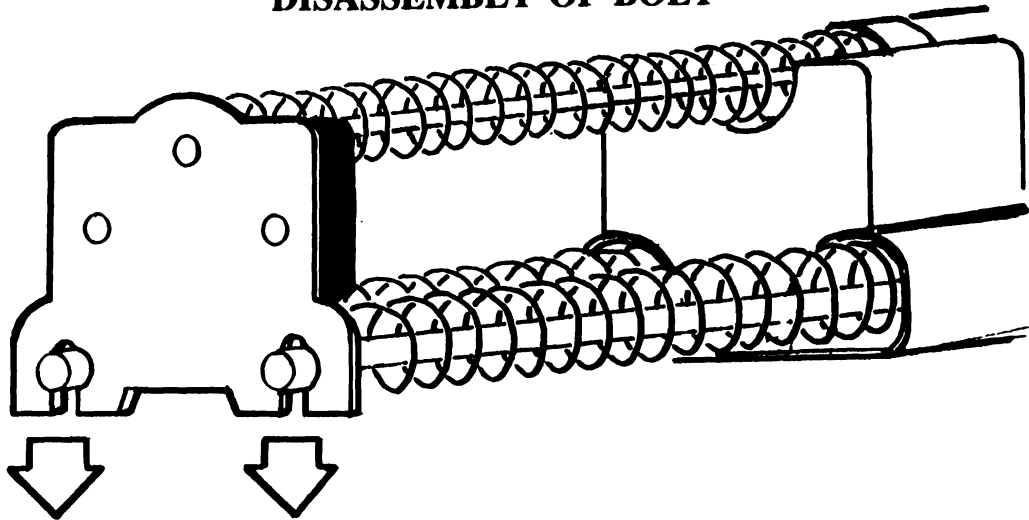


The Bolt, Striker, Return Springs and Buffer Plate come out as a unit, with no loose parts. They can be separated by pulling the notched ends of the Return Spring Rods out of the slots in the Buffer Plate as pictured. Don't take the Bolt Assembly apart unless it is necessary: re-assembling the Bolt Assembly is awkward because you must pull the springs back and push the Spring Rod forward at the same time to lock the Rod Ends into the Buffer Plate.

NOTE: Before reassembly check to insure that both locking rollers are in place.

To re-assemble, first hold the Bolt Assembly parallel to the Receiver and push straight in, making sure the bottom edge of the Buffer Plate is flush with the bottom edge of the Receiver. Slide the Pistol Grip onto the Receiver until it stops, then insert the Retaining Pin to lock everything together. Cock the Bolt back and dry fire to make certain it functions properly.

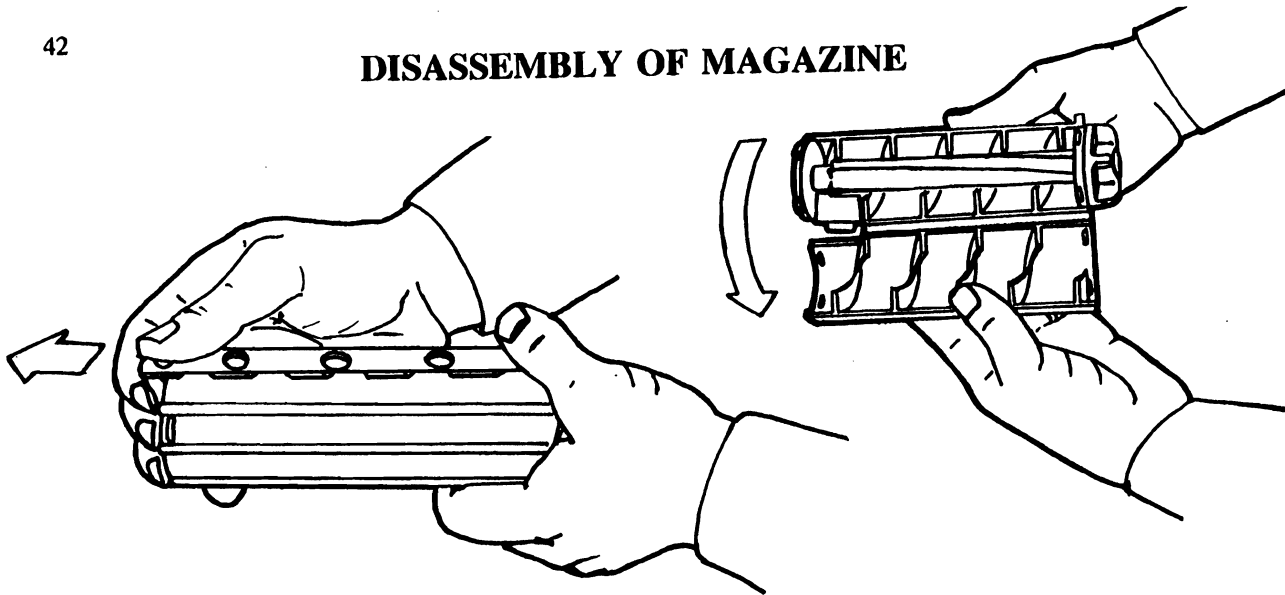
DISASSEMBLY OF BOLT



DIS-ASSEMBLY OF MAGAZINE

The CALICO magazine is durable and reliable, but like all magazines it can become fouled by accumulations of combustion residue, and it must occasionally be disassembled for cleaning. **BEFORE DISASSEMBLING THE MAGAZINE MAKE SURE IT IS EMPTY.** Remove the Magazine and look to see that the Follower is visible in the Feed Lips, then release any energy stored in the Drive Spring by pushing the Spring Release Button in the center of the Winder at the back of the Magazine. Grasp the Magazine in both hands as shown and push top Ribbon Clamp forward with your thumbs, about 1/2 inch only. When you feel the dovetail segments of the Ribbon Clamp and Magazine Shells unlock, lift the Ribbon Clamp off and set it aside. Gently pry the Magazine Shell halves open like a clam, making sure the Front End Cap, Cartridge Carrier, and Winder stay on one side, until the Bottom Ribbon Clamp is loose and the halves are free. Remove the Front End Cap, Cartridge Carrier and Winder Assembly from the Shell half, making sure not to lose the Follower. Do not disassemble the Winder Assembly; the small clutch rollers inside are easily lost. If it is not functioning properly return it to CALICO for repair or replacement.

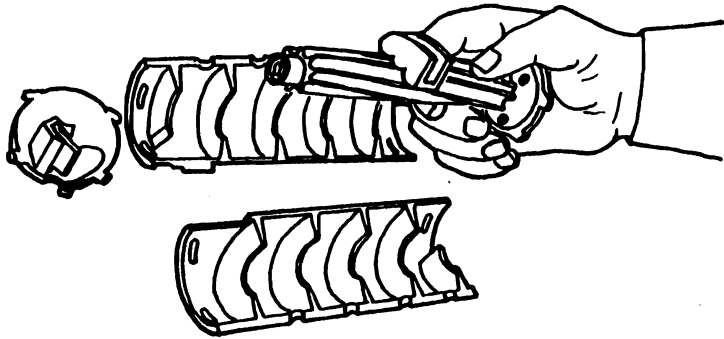
NOTE: The numbers beside the windows on top of the Magazine indicate the minimum number of rounds left in the Magazine.

DISASSEMBLY OF MAGAZINE

MAGAZINE ASSEMBLY

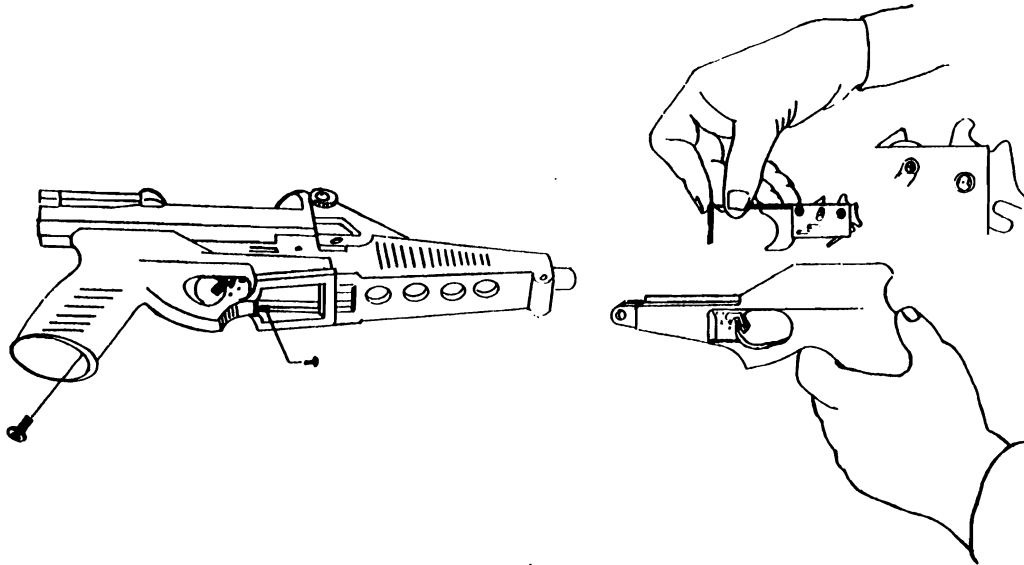
Install the FRONT END CAP, CARTRIDGE CARRIER and WINDER ASSEMBLY together in the magazine shell half with the plastic FEED LIP, (the other side does not have a feed lip), making sure the L-shaped hook of the FRONT END CAP fits over the front of the shell and the protruding tabs fit into the oval slots at the ends of the shell. Fit the FOLLOWER to the CARTRIDGE CARRIER, making sure the arrow points forward, and rotate it into the shell between any two helical ribs. Holding that shell half in one hand, engage the edge of the metal bottom RIBBON CLAMP along the length of the shell's bottom dovetail and hold it in place. Then, engage the bottom dovetail of the other shell half in the RIBBON CLAMP, and slowly close the two halves together, making sure the pins and sockets spaced along the edges of the halves mate perfectly. Holding the halves together in one hand, engage the top ribbon clamp with the solid dovetail on top of the magazine so that the segments line up; then, slide it back until the segments are completely interlocked and the capacity indicating holes line up. Wind up and release the Spring a couple of times to make sure the magazine works smoothly.

ASSEMBLING MAGAZINE



REMOVING/INSTALLING THE ACTION HOUSING

47



REMOVING / INSTALLING THE ACTION HOUSING

To remove the Action Housing, first remove the Pistol Grip as described in the Field Stripping section. Then, remove the two screws which secure the Action Housing within the Pistol Grip, as shown. With the Safety Lever in the “safe” position, and the Pistol Grip inverted, gently tap against a hard surface to dislodge the Action Housing. A slight pressure against the Action Housing tongue may also be necessary.

To re-install the Action Housing, first confirm that the Safety Lever is on “safe”. Insure that the Selector rack is positioned forward (sear will be blocked). Insert Action Housing into Pistol Grip.

When this is accomplished, continue until Selector rack meshes with Selector gears. (It may be necessary to slightly rotate the Safety Lever for proper alignment.) After confirming proper function of the Safety Lever, install two action housing screws with 222 loctite or equivalent.

REMEMBER—SAFETY DEPENDS ON YOU

CARE AND CLEANING

GENERAL

A thorough knowledge of how to service and handle firearms is of great importance. Experience has shown that most failures which occur while operating a firearm are due to negligence in maintenance. Special attention must be paid to cleaning, lubricating and inspecting the firearm; this may determine whether or not it will function properly when you need it. In order to maintain accuracy, the Barrel must be serviced thoroughly. The Receiver, the Bolt Assembly and other moving parts of the firearm must be kept clean and lightly lubricated to ensure proper operation. Care and cleaning includes the Magazine, which must be kept free from wax, grit, etc., in order to function properly.

INITIAL CLEANING

1. Upon the receipt of your CALICO, disassemble and inspect. (see instructions)
2. Clean as per Periodic Maintenance Procedure.
3. Any waxy deposits or dirt may be removed using very light rust preventative oils. After cleaning, wipe dry and lightly coat with gun oil.
4. Never use abrasive or metallic objects, synthetic cloth, dry cleaning fluids, detergents, acids, lyes, water or steam.
5. Reassemble and make sure of proper functioning of firearm, including Safeties.
6. Observe all safety precautions previously listed in this book.

PERIODIC MAINTENANCE

1. Disassemble the firearm. Clean all disassembled parts as explained. Remove all foreign matter or dirt using gun oil and gun cleaning equipment made for firearms.

**CAUTION: MAKE SURE YOUR FIREARM IS EMPTY BEFORE CLEANING.
SAFETY DEPENDS ON YOU.**

2. **Clean the Barrel Bore and Chamber:** use a metal bore brush first, then a cloth patch. Continue until patches come out clean. After cleaning, lightly lubricate the Bore and Chamber with a patch dipped in lubricant to prevent corrosion and pitting.
3. **Clean exterior and interior surfaces of all subassemblies.** Then wipe all metal surfaces with a lightly oiled patch or rag. Pay particular attention to all parts of the firing mechanism.
4. **While cleaning, the following inspection must be carried out:**
 - a. **Examine the Bore and Chamber visually and make sure it is free of rust, pitting and metal fouling, and that the Barrel has not been damaged.**
 - b. **Check that all disassembled parts are serviceable and none are missing.**
 - c. **Check the action mechanism in the Pistol Grip for dirt or grit, loose parts or excessive wear.**
 - d. **Inspect the firing pin visually to make sure that it is undamaged.**
 - e. **Inspect Extractor visually and make sure it is not clogged or damaged.**

**CAUTION: MAKE SURE YOUR FIREARM IS EMPTY BEFORE CLEANING.
SAFETY DEPENDS ON YOU.**

5. Assemble the firearm.
6. After assembly, check the following:
 - a. Make sure the Chamber is empty, point barrel in safe direction.
 - b. Cock and dry fire at least twice to make sure that the mechanism is working smoothly and properly.
 - c. Cock the firearm, move Safety Lever to Safety position, squeeze trigger to make sure Safety is working properly. Return Safety Lever to fire position and dry fire.
 - d. Check sights and all exterior parts of the firearm to make sure that they are undamaged and serviceable.

**CAUTION: MAKE SURE YOUR FIREARM IS EMPTY BEFORE CLEANING.
SAFETY DEPENDS ON YOU.**

7. It is imperative that the Magazines be given the best care and kept in perfect condition. They should be disassembled and cleaned with mineral oil or other mild cleaning agent. Make sure all build-up of fouling is removed. Check that the spring-loaded feed lip does not stick.

CLEANING BEFORE FIRING

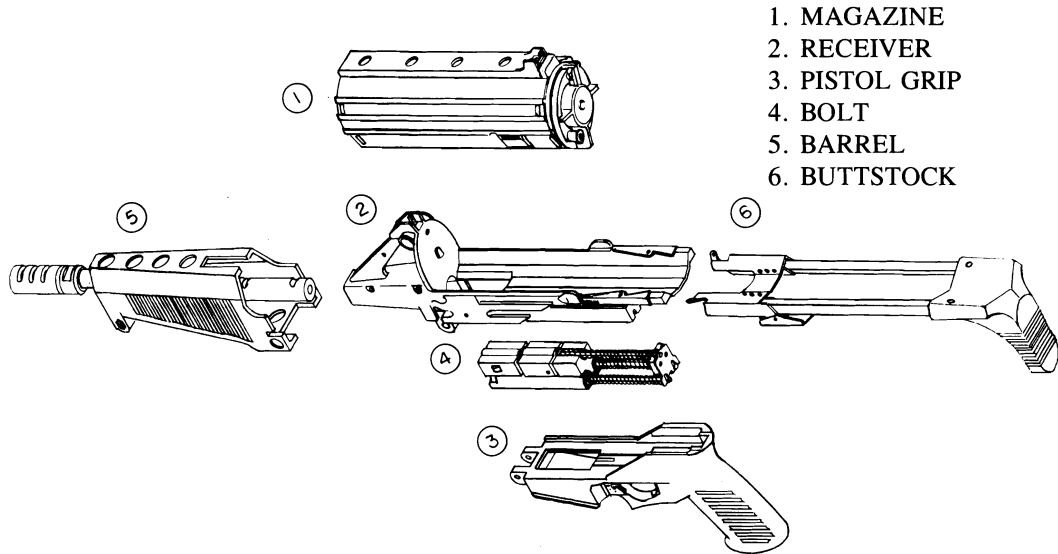
1. Disassemble the firearm.
2. Run clean patches through Bore and Chamber to remove all dust and oil. There should be no dirt in Bore and Chamber before firing as this may cause dangerous pressures to develop.
3. Check that all moving parts are lightly oiled.
4. Assemble the firearm and check functioning

**CAUTION: MAKE SURE YOUR FIREARM IS EMPTY BEFORE CLEANING.
SAFETY DEPENDS ON YOU.**

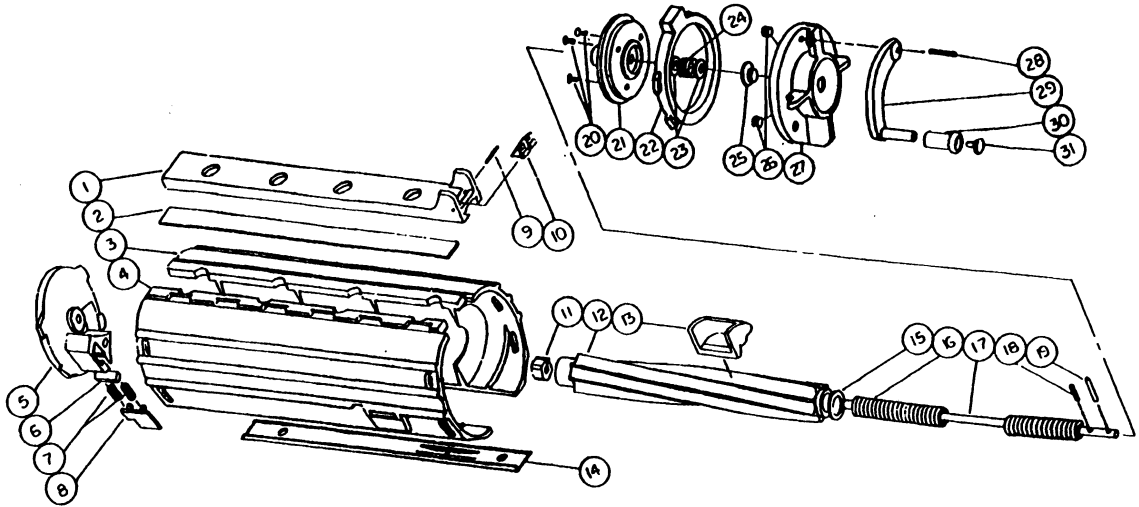
CLEANING AFTER FIRING

- 1. The firearm should be cleaned the same day, if possible, on which it was fired to prevent corrosion and caking of deposits. Some ammunition is very corrosive.**
- 2. Follow procedures of periodic maintenance and pay particular attention to all parts which have been in contact with powder gases.**
 - a. Barrel - In order to remove heavy deposits, use cleaning brush. Make sure the brush goes all the way through the Bore before reversing the direction. Deposits that cannot be readily removed with the brush may be treated by coating Bore and Chamber with good quality bore cleaning fluid and repeat the above procedure. The Barrel should be cleaned and reoiled, at least once after firing.**
 - b. Bolt - Remove all powder residues from Bolt. If necessary, use a stiff nylon brush or tooth brush. Clean and lightly oil all parts of Bolt Mechanism.**
 - c. Receiver - Wipe off any heavy deposits in interior and oil lightly.**
 - d. Magazine - Make sure Magazines are clean and Follower moves freely.**

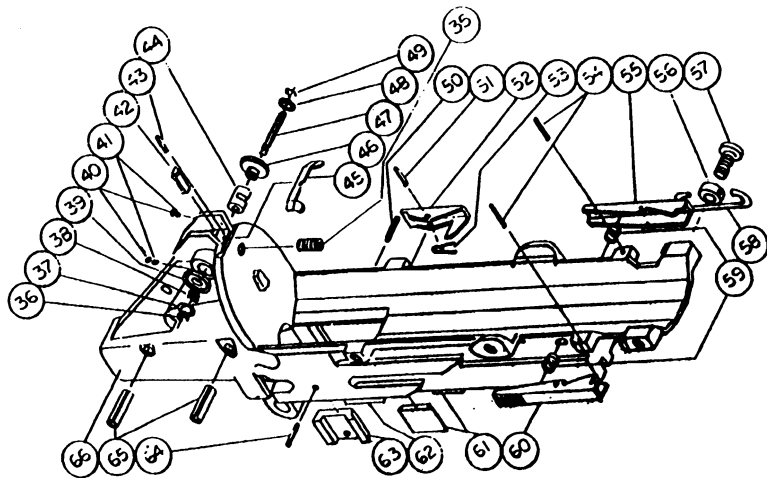
SUB-ASSEMBLIES

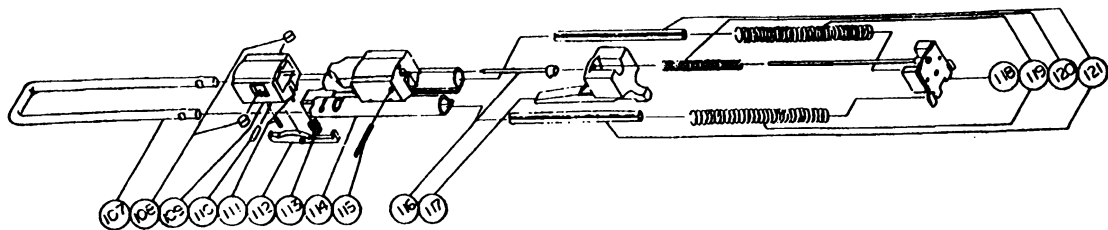


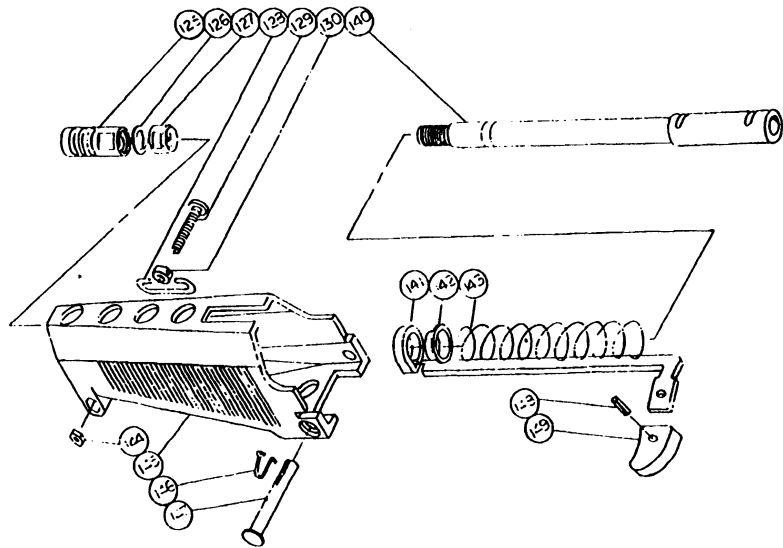
MAGAZINE SUB-ASSEMBLY



RECEIVER SUB-ASSEMBLY



BOLT SUB-ASSEMBLY

BARREL SUB-ASSEMBLY

PARTS LIST

| REF. | PART NO. | PART DESC. | REF. | PART NO. | PART DESC. |
|------|------------|-----------------------------|------|------------|------------------------|
| 1 | C-9-214-06 | Ribbon Clamp, Upper | 21 | C-9-202-04 | Cover, Clutch |
| 2 | C-9-204-09 | Lens, Magazine | 22 | C-9-202-03 | Ring, Clutch |
| 3 | C-9-213-2 | Magazine Outer Shell, Right | 23 | C-9-202-08 | Washer (2) |
| 4 | C-9-213-1 | Magazine Outer Shell, Left | 24 | C-9-202-09 | Spring, Button |
| 5 | C-9-204-01 | Cap, Front End | 25 | C-9-202-02 | Button, Clutch |
| 6 | C-9-204-11 | Guide Spring | 26 | C-9-202-05 | Roller, Clutch |
| 7 | C-9-204-03 | Spring, Feed Lip (2) | 27 | C-9-202-01 | Cap, Rear End |
| 8 | C-9-204-02 | Feed Lip | 28 | C-9-403-06 | Pin, Handle |
| 9 | C-9-204-14 | Pin, Flip Sight | 29 | C-9-202-12 | Handle, Winding |
| 10 | C-9-204-12 | Flip Sight | 30 | C-9-202-13 | Sleeve, Handle |
| 11 | C-9-201-01 | Splined Driver | 31 | C-9-202-15 | Button, Winding Handle |
| 12 | C-9-201 | Fluted Cartridge Carrier | 35 | C-9-302-15 | Set Screw, Sight |
| 13 | C-9-204-04 | Follower, Magazine | 36 | C-9-302-11 | Snap Ring, Sight |
| 14 | C-9-204-07 | Ribbon Clamp, Lower | 37 | C-9-302-10 | Washer, Sight |
| 15 | C-9-204-10 | Washer, Thrust (2) | 38 | C-9-302-09 | Spring, Sight |
| 16 | C-9-204-05 | Spring, Drive | 39 | C-9-302-05 | Knob, Elevation |
| 17 | C-9-202-06 | Rod, Torque | 40 | C-9-302-13 | Ball, Detent |
| 18 | C-9-202-10 | Pin, Retainer | 41 | C-9-302-14 | Spring, Detent |
| 19 | C-9-202-07 | Pin, Driving | 42 | C-9-302-08 | Sight Post |
| 20 | C-9-202-11 | Screw (3) | 43 | C-9-303-02 | Pin, Magazine Guide |

PARTS LIST

| REF. | PART NO. | PART DESC. | REF. | PART NO. | PART DESC. |
|-------------|-----------------|----------------------------|-------------|-----------------|------------------------|
| 44 | C-9-302-06 | Bushing, Sight | 64 | C-9-202-10 | Pin, Retainer |
| 45 | C-9-303-01 | Magazine Guide | 65 | C-9-601-01 | Barrel Pins (2) |
| 46 | C-9-302-04 | Knob, Windage | 66 | C-9-311 | Upper Receiver |
| 47 | C-9-302-07 | Pinion Shaft | 70 | C-9-402-16 | Screw Tongue |
| 48 | C-9-302-10 | Washer, Sight | 71 | C-9-402-01 | Action Housing A |
| 49 | C-9-302-11 | Snap Ring, Sight | 72 | C-9-413-01 | Gear |
| 50 | C-9-202-10 | Pin, Retainer | 73 | C-9-413-02 | Detent, Striker Block |
| 51 | C-9-302-16 | Pin, Bolt Stop | 74 | C-9-411 | Pistol Grip, A |
| 52 | C-9-402-02 | Bolt Stop | 75 | C-9-403-01 | Hex Shaft |
| 53 | C-9-402-04 | Spring, Bolt Stop | 76 | C-9-413-1 | C-Ring, Safety |
| 54 | C-9-202-10 | Pin, Magazine Catch | 77 | C-9-413-1 | Safety Lever, Left A |
| 55 | C-9-302-2 | Magazine Catch, Right | 78 | C-9-402-10 | Pin, Stop |
| 56 | C-9-603-04 | Bushing, Swivel | 79 | C-9-413-05 | Pin, Detent |
| 57 | C-9-603-06 | Screw, Sling Ring | 80 | C-9-413-06 | Bushing, Detent |
| 58 | C-9-603-05 | Sling Ring | 81 | C-9-413-04 | Spring, Detent |
| 59 | C-9-302-02 | Spring, Magazine Catch (2) | 82 | C-9-403-05 | C-Ring, Safety |
| 60 | C-9-302-1 | Magazine Catch, Left | 83 | C-9-413-02 | Safety Lever, Right, A |
| 61 | C-9-503-15 | Buffer, Roller | 84 | C-9-412-02 | Selector |
| 62 | C-9-301-12-2 | Breech Insert, Right | 85 | C-9-402-08 | Trigger A |
| 63 | C-9-301-12-1 | Breech Insert, Left | 86 | C-9-402-08 | Pin, Trigger |

PARTS LIST

| REF. | PART NO. | PART DESC. | REF. | PART NO. | PART DESC. |
|------|------------|--------------------------|------|------------|-------------------------|
| 87 | C-9-402-12 | Spring, Disconnecter | 110 | C-9-503-19 | Pin, Extractor |
| 88 | C-9-412-06 | Disconnecter, A | 111 | C-9-503-19 | Pin, Roller (2) |
| 89 | C-9-412-13 | Spring, Sear, A | 112 | C-9-503-05 | Extractor |
| 91 | C-9-412-03 | Pin, Sear | 113 | C-9-503-06 | Spring, Extractor |
| 92 | C-9-412-07 | Sear, A | 114 | C-9-503 | Bolt, Male |
| 93 | C-9-412-12 | Pin, Link | 115 | C-9-202-14 | Pin Stop, Firing Pin |
| 94 | C-9-402-09 | Pin, Pivot | 116 | C-9-513-13 | Firing Pin |
| 95 | C-9-412-10 | Bushing, A.H. | 117 | C-9-503-10 | Striker |
| 96 | C-9-412-08 | Link, Semi Auto | 118 | C-9-502 | Buffer Assembly |
| 97 | C-9-412-11 | Step Bushing, A.H. | 119 | C-9-503-08 | Spring, Bolt Return (2) |
| 102 | C-9-403-07 | Cap, Pistol Grip | 120 | C-9-503-10 | Spring, Striker |
| 103 | C-9-900-02 | Washer, Lock | 121 | C-9-503-16 | Split Tube (2) |
| 104 | C-9-402-15 | Screw, Action Housing | 125 | C-9-811-10 | Compensator, Adjustable |
| 107 | C-9-503-13 | Guide Rod, Return Spring | 126 | C-9-811-13 | Washer, Aluminum |
| 108 | C-9-503-04 | Roller (2) | 127 | C-9-811-12 | Nut, Lock |
| 109 | C-9-501 | Bolt, Female | 128 | C-9-603-05 | Sling Ring |
| | | | 129 | C-9-603-02 | Screw, Swivel |
| | | | 130 | C-9-603-04 | Bushing, Swivel |
| | | | 140 | C-9-611 | Barrel |
| | | | 141 | C-9-503-02 | Bolt Handle |

| REF. | PART NO. | PART DESC. |
|------|--------------|-----------------------------|
| 142 | C-9-602-15 | Thermal Bushing |
| 143 | C-9-513-20 | Spring, Bolt Handle, Select |
| 144 | C-9-603-03 | Nut, Swivel |
| 145 | C-9-612-06 | Barrel Shroud |
| 146 | C-9-603-01 | Spring, Take Down Pin |
| 147 | C-9-603 | Pin, Take Down |
| 148 | C-9-503-22 | Pin, Charging Knob |
| 149 | C-9-503-21 | Knob, Charging |
| 154 | C-9-701-01 | Rivet, Bracket (2) |
| 155 | C-9-701-01 | Rivet, Bracket (6) |
| 156 | C-9-701 | Bracket, Buttstock |
| 157 | C-9-701-10 | Rivet, Latch |
| 158 | C-9-701-03 | Spring, Latch |
| 159 | C-9-701-02 | Latch, Buttstock |
| 160 | C-9-701-07 | Pin, End Cap (2) |
| 161 | C-9-202-10 | End Cap, Rail (2) |
| 162 | C-9-701-05-2 | Rail, Buttstock, Right |
| 163 | C-9-701-05-1 | Rail, Buttstock, Left |
| 164 | C-9-701-09 | Rivet, Buttplate (2) |
| 165 | C-9-701-06 | Buttplate |

PARTS LIST

FOR REPLACEMENT PARTS, CONTACT:



5405 SE Alexander St., Unit P
Hillsboro, OR 97123

Tel: (503) 649-3010 Fax: (503) 649-3831

www.calicolightweaponsystems.com

CALICO LIBERTY SERIES - ACCESSORIES

| MODEL | DESCRIPTION | MODEL | DESCRIPTION |
|--------------|--|--------------|--------------------------------------|
| M-910 | 9MM MAGAZINE, 100 ROUND | M-931 | 9MM LASER MOUNT, PISTOL, WVR. BASE |
| M-915 | 9MM MAGAZINE, 50 ROUND | M-965 | 9MM TRITIUM SIGHTS |
| M-920 | 9MM BRASS CATCHER, CORDURA, 150 RD | M-926 | 9MM FLASHLIGHT BARREL MOUNT, 1" DIA. |
| M-970 | 9MM SHOULDER RIG & MAGAZINE POUCH | M-905 | 9MM SPEED LOADER, 50 ROUNDS |
| M-975 | 9MM MAZAGINE POUCH, 50 ROUND OR 100 ROUND | M-918 | 9MM FRONT KELLY GRIP |
| M-980 | 9MM TACTICAL SLING | M-927 | 9MM SOLID STOCK KIT |
| M-175 | WEB RIFLE SLING | M-928 | 9MM SLIDING STOCK KIT |
| M-987 | 1" SCOPE RINGS, WVR. MOUNT | | |
| M-925 | 9MM SCOPE MOUNT, WVR. BASE | | |
| M-930 | 9MM LASER MOUNT, CARBINE, WVR. BASE | | |

LIMITED WARRANTY

CALICO warrants this product only to the original purchaser at retail to be free from defective materials and workmanship from the date of original retail purchase for the period as shown below.

| MODEL NO. | SERIAL NO. | PARTS | LABOR |
|------------------------------|-------------------|--------------|--------------|
| Calico LIBERTY SERIES | | 90 Days | 90 Days |

WHAT IS COVERED

All parts which are defective in materials or workmanship, subject to the following;

WHAT IS NOT COVERED

- (1) Products which have been subjected to abuse, accident, alteration, modification tampering, negligence, misuse, or if repaired or serviced by anyone other than a service facility authorized by Calico to render such service, or if the model or serial number has been altered, tampered with, defaced, or removed.
- (2) Operational adjustments or procedures covered in the Owner's Manual, if any.
- (3) Actual or alleged labor, transportation, or other incidental charges.
- (4) Actual or alleged consequential damages incurred by us of this product.

WHO IS COVERED:

The original purchaser, at retail.

WHAT WE WILL DO:

CALICO, at its election, will repair or replace all defective parts free of charge that are covered by this limited warranty.

**WHAT YOU MUST DO FOR
WARRANTY SERVICE:**

Box this product carefully, preferably in the original carton, and ship, insured, with a copy of your bill of sale or credit-card charge receipt plus a letter of explanation of the problem to:



Attention: Repairs
5405 SE Alexander St., Unit P
Hillsboro, OR 97123
Tel: (503) 649-3010 Fax: (503) 649-3831
www.calicolightweaponsystems.com

A copy of your dated bill of sale or credit-card charge receipt is necessary to prove warranty coverage.

No other express warranty is applicable to this product. THE DURATION OF ANY IMPLIED WARRANTIES, INCLUDING THE IMPLIED WARRANTY OF MERCHANTABILITY, IS LIMITED TO THE DURATION OF THE EXPRESS WARRANTY HEREIN. CALICO SHALL NOT BE LIABLE FOR THE LOSS OF USE OF THE PRODUCT, INCONVENIENCE, LOSS OR ANY OTHER DAMAGES, DIRECT OR CONSEQUENTIAL, ARISING OUT OF THE USE OF, OR INABILITY TO USE, THIS PRODUCT OR FOR ANY BREACH OF ANY EXPRESS OR IMPLIED WARRANTY, INCLUDING THE IMPLIED WARRANTY OF MERCHANTABILITY APPLICABLE TO THIS PRODUCT.

Some states do not allow the exclusion or limitation of incidental or consequential damages or limitations on how long an implied warranty lasts, so these limitations or exclusions may not apply to you. This warranty gives you specific legal rights, and you may also have other rights which vary from state to state.

RETAIN THIS PART OF YOUR WARRANTY

**CALICO IS DEDICATED TO THE SAFE AND EFFECTIVE
DEPLOYMENT OF OUR WEAPONS.
WE ENCOURAGE ALL FIREARM USERS
TO BE SAFE
AND RESPONSIBLE.**



LIGHT WEAPON SYSTEMS

5405 SE Alexander St., Unit P
Hillsboro, OR 97123

Tel: (503) 649-3010 Fax: (503) 649-3831

www.calicolightweaponsystems.com