

Part # AZ9-MANOP  
V.1 - 11/05

**For all BUSHMASTER  
9MM Models**



**PLEASE  
PRACTICE  
SAFE FIREARMS  
HANDLING!**



**OPERATING  
AND SAFETY  
INSTRUCTION  
MANUAL FOR  
BUSHMASTER 9MM  
PISTOL & CARBINE**



**WARNING:**

**BEFORE USING THIS FIREARM, READ  
AND FOLLOW THESE INSTRUCTIONS.**

## **TABLE OF CONTENTS...**

<b>Warnings / Cautions / Safe Handling.....</b>	<b>1</b>	<b>Immediate Actions - in Case of Trouble.....</b>	<b>10</b>
<b>About Your 9MM Pistol / Carbine.....</b>	<b>2</b>	<b>Disassembling the 9MM Pistol / Carbine.....</b>	<b>11</b>
<b>Features / Controls - Identification.....</b>	<b>3</b>	<b>Inspection / Cleaning / Lubrication.....</b>	<b>15</b>
<b>Clearing the 9MM Pistol / Carbine.....</b>	<b>4</b>	<b>Detailed Cleaning Techniques.....</b>	<b>16</b>
<b>Preventative Maintenance Checks.....</b>	<b>5</b>	<b>Cleaning the Upper Receiver.....</b>	<b>17</b>
<b>Safety Function Check.....</b>	<b>5</b>	<b>Cleaning the Bolt &amp; Lower Receiver.....</b>	<b>18</b>
<b>Preparing to Fire / Loading a Magazine.....</b>	<b>6</b>	<b>Lubrication / Upper &amp; Lower Receivers.....</b>	<b>19</b>
<b>Operation of Your Firearm / Loading.....</b>	<b>7</b>	<b>Lubrication / Adjustable Rear Sight.....</b>	<b>20</b>
<b>Operation / Inserting a Magazine.....</b>	<b>7</b>	<b>Reassembling the 9MM Pistol / Carbine.....</b>	<b>20</b>
<b>Operation / Chambering a Round.....</b>	<b>8</b>	<b>Problems / Solutions.....</b>	<b>22</b>




P.O. Box 1479 • 999 Roosevelt Trail • Windham, Maine 04062 U.S.A.  
Sales: 1 800 998 7928 • Customer Service: 1 800 883 6229 • Tel. 207 892 3594 • Fax: 1 207 892 8068  
<http://www.bushmaster.com> • E-mail: [info@bushmaster.com](mailto:info@bushmaster.com)

## **PLEASE PRACTICE SAFE FIREARMS HANDLING!**

 **WARNING:** IF THIS FIREARM IS CARELESSLY OR IMPROPERLY HANDLED, UNINTENTIONAL DISCHARGE COULD RESULT AND COULD CAUSE INJURY, DEATH, OR DAMAGE TO PROPERTY.

 **CAUTION:** CAREFULLY READ THIS INSTRUCTION MANUAL PRIOR TO LOADING AND FIRING THIS FIREARM. FOLLOW ALL INSTRUCTIONS ON THE PROPER HANDLING AND SAFE USE OF THIS FIREARM - LIVES MAY DEPEND ON IT!

 **CAUTION:** USE ONLY CLEAN, DRY, HIGH QUALITY COMMERCIALY MANUFACTURED AMMUNITION IN GOOD CONDITION which is appropriate to the 9MM NATO (9MM x 19MM) caliber of your firearm. Bushmaster does not recommend the use of remanufactured or hand loaded ammunition because it may damage your firearm.

 **WARNING:** THIS WEAPON COULD CHAMBER A ROUND if it is dropped or jarred with a loaded magazine in place - either with the Bolt Carrier Assembly locked to the rear, or in its forward position.

## **FUNDAMENTAL RULES FOR SAFE GUN HANDLING**

**ALWAYS KEEP THE GUN POINTED IN A SAFE DIRECTION.**

**NEVER LOAD THE GUN UNTIL READY TO USE.**

**KEEP YOUR FINGER OFF THE TRIGGER UNTIL READY TO SHOOT.**

## ***About Your Bushmaster 9mm Pistol or Carbine...***

- This Operating Manual covers all ***Bushmaster Carbon 15 9MM*** models chambered for 9MM NATO (9MM x 19MM) ammunition. They are lightweight, blow-back operated, magazine-fed pistols or carbines that are ***Semi-Automatic*** in operating mode (i.e., a single round will fire each time the trigger is pulled). For Law Enforcement and Military markets, Bushmaster makes similar models in ***Full-Automatic*** operating mode (continuous fire as long as the trigger is pulled). Sales of these models require special permits and are regulated by ATF.
- The Upper and Lower Receivers are easily opened for cleaning and inspection. They are injection molded from Carbon Fiber Composite for light weight, durability and are completely impervious to corrosion or damage from water.
- Bushmaster 9MM Models feature Dual Aperture Rear Sights adjustable for windage, and A2 Square Post Front Sights adjustable for elevation.
- Barrels on Carbon 15 9MM Models are Chrome Moly Vanadium Steel – button rifled – 1 turn in 10” with a right hand twist - 6 lands and grooves. Pistol Barrel length is 7.25” / Carbine Barrel length is 16”.
- Pistol models have an oval Carbon Fiber Forend with a special ergonomic grip derived from the M203 Grenade Launcher and the Receiver Extension tube on Pistols is covered with comfortable, sound deadening Neoprene Foam Tube. Carbine models are configured with a 6 Position Telescoping Buttstock. Forends are of removable split design and are vented to allow heat dissipation. All models feature vertical pistol grips and detachable magazines. Magazine capacity is 30 Rounds in factory supplied magazine.

# Features & Controls - Identification / Location...

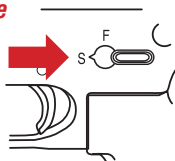
## Bushmaster 9MM Carbine & Pistol...



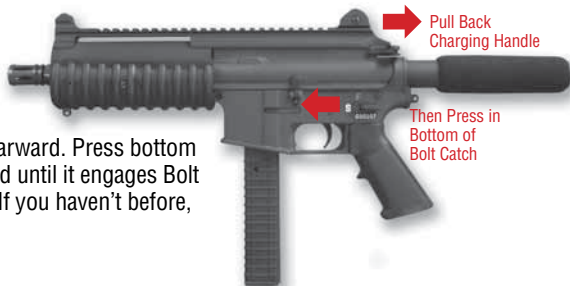
## CLEARING YOUR 9MM Pistol or CARBINE...

**ALWAYS FOLLOW THE RULES OF SAFE GUN HANDLING.** First, assume the gun you are handling is loaded, and then proceed - according to the following steps - to **CLEAR YOUR FIREARM...**

1. Point Firearm in a **SAFE DIRECTION!** Place Safety Selector Lever on SAFE. **NOTE: If the firearm is not cocked, the Safety Selector Lever cannot be pointed toward SAFE.**
2. Press in Magazine Catch Button and pull Magazine down to remove.



3. To Lock Bolt Open, Pull Charging Handle rearward. Press bottom of Bolt Catch and allow Bolt to move forward until it engages Bolt Catch. Return Charging Handle to forward. If you haven't before, now place Safety Selector Lever on **SAFE**.



## **PREVENTATIVE MAINTENANCE CHECKS & SERVICES...**

### **CHECK BEFORE YOU FIRE! ...**

1. Check to see that there is **NO EXCESSIVE OIL** in the Bore. If there is, swab it out with a patch and the cleaning rod. **ALWAYS CLEAN A NEW FIREARM BEFORE FIRING.**

**WARNING!** If the Firearm is fired with oil - or water - in the barrel, excessive pressure will be created causing it to explode.

2. Retract the Bolt to ensure free movement between Bolt and Receiver.
3. Perform Safety Function Check (below) to ensure that Safety Selector Lever works properly.

## **SAFETY FUNCTION CHECK...**

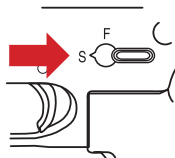
### **UNLOAD FIREARM - REMOVE MAGAZINE - CHECK CHAMBER**

1. Remove Magazine if installed. Pull Charging Handle assembly to rear. Check that Chamber is clear. Let the Bolt close. Do not pull Trigger. Leave Hammer in cocked position.

**WARNING:** If the Firearm fails any of the following tests, continued use of it could result in injury to, or death of, people around you.

2. Place Selector Lever in **SAFE** position, point Firearm in a safe direction, and pull Trigger.

**THE HAMMER SHOULD NOT FALL.**



Continued on Next Page...

## ***SAFETY FUNCTION CHECK...*** (Continued)

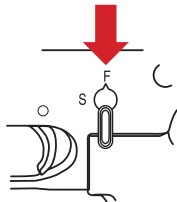
- Place Selector Lever in **FIRE** position. Pull the Trigger. ***THE HAMMER SHOULD FALL.***

**NOTE:** For purposes of the following check, "SLOW" is defined as one fourth to one half the normal rate of trigger release.

- Hold Trigger to the rear, pull Charging Handle to the rear and release Charging Handle. Then release pressure on the Trigger with a slow, smooth motion, without hesitations or stops, until the Trigger is fully forward.

***AN AUDIBLE CLICK SHOULD BE HEARD - THE HAMMER SHOULD NOT FALL.***

- Repeat the **FIRE** position test **FIVE TIMES**. The Firearm must not malfunction during any of these five tests. If the Firearm malfunctions during any of these five tests, have it checked by a qualified gunsmith.



## ***PREPARING TO FIRE - LOADING A MAGAZINE...***

- Use only quality 9MM NATO (9mm x 19mm) Ammunition suitable for your firearm. Examine each Cartridge - particularly around the primer. Look for dents, scratches, and other signs of damage.

***DO NOT LOAD DAMAGED AMMUNITION!***

- With the Magazine facing forward, place a Round between the Feed Lips of the Magazine with the Bullet Tip forward. Push the Round down until it is held by the Magazine Feed Lips.
- If necessary, give the Round a slight push backward to seat it against the inside back edge of the Magazine Feed Lips. Place next Round on top of the previous Round and repeat steps until desired number of Rounds are loaded into Magazine.

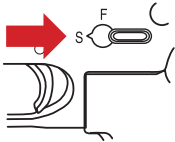
***CAUTION:*** Safe Firearms Handling dictates that you ***ONLY LOAD LIVE AMMUNITION INTO YOUR FIREARM WHEN YOU ARE ABOUT TO SHOOT.***



## OPERATION OF YOUR FIREARM... LOADING

**CAUTION: ALWAYS POINT THE MUZZLE IN A SAFE DIRECTION!**

1. With the Hammer cocked, place Selector Lever on **SAFE**.

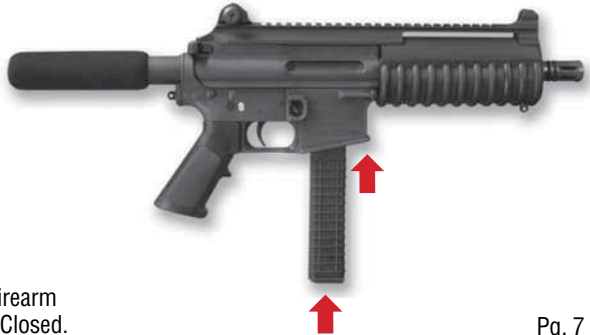


2. Pull Charging Handle back to open Bolt and check Firing Chamber. Make sure it is **CLEAR!** With no Magazine in the gun, the Bolt will not lock to the rear unless Bolt Catch is manually engaged as described on Page 4.



## INSERTING A MAGAZINE...

1. Return Charging Handle to forward, locked position. Push a Magazine up into Magazine Well until Magazine Catch engages and holds the Magazine.
2. Then, slap upwards on Magazine bottom to make sure it is seated correctly.



**NOTE:** A Magazine may be inserted into the Firearm with the Bolt Assembly either Open or Closed.

## **OPERATION OF YOUR FIREARM...** (Continued)

### **CHAMBERING A ROUND FROM AN OPEN BOLT...** (i.e. Bolt locked back)

1. Depress upper portion of Bolt Catch. Bolt should spring forward. This will chamber a round from the Magazine.



**CAUTION: FIREARM IS NOW LOADED – READY TO BE AIMED AND FIRED!**

### **CHAMBERING A ROUND FROM A CLOSED BOLT...**

1. With a Magazine inserted in the Firearm, pull the Charging Handle fully to Rear. Then release the Charging Handle allowing the Bolt to spring forward - chambering the first round.



**NEVER** “Ride” or push the Charging Handle forward. Let it move forward on its own.

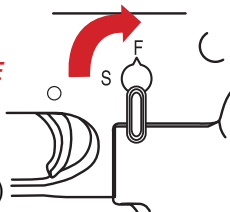
**CAUTION: FIREARM IS NOW LOADED – READY TO BE AIMED AND FIRED!**

## **OPERATION OF YOUR FIREARM...** (Continued)

**CONDITION:** Firearm is now Loaded, a Round is Chambered, and Safety Selector should be on **SAFE**.

**CAUTION: ALWAYS POINT THE MUZZLE IN A SAFE DIRECTION!**

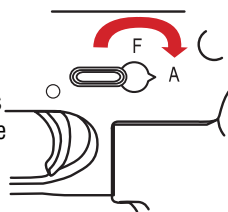
To **FIRE** the Pistol/Carbine in **SEMI-AUTOMATIC MODE** (one Round fired with each pull of the Trigger), move the Safety Selector from **SAFE (S)** to **FIRE (F)**



**AIM AT TARGET – PULL TRIGGER – RELEASE.**

The Firearm will automatically eject the spent Cartridge and chamber another in preparation for the next shot. The cycle of pulling the Trigger to shoot, and the Firearm automatically reloading, can be continued until the Magazine is empty.

To **FIRE** the Pistol/Carbine in **FULL-AUTOMATIC MODE** (continuous fire as long as Trigger is held back), move the Safety Selector from **SAFE (S)** to **AUTO (A)**.



**AIM AT TARGET – PULL AND HOLD BACK TRIGGER.**

The Firearm will fire automatically and continue to do so, until either the Magazine is depleted, or the Trigger is released. If Magazine is not depleted, automatic fire can be resumed by pulling and holding back Trigger again. When Magazine is empty, the Bolt Carrier will lock to the rear.

**WARNING... IF A NOTICEABLE DIFFERENCE IN SOUND OR RECOIL IS EXPERIENCED, STOP FIRING.**

Either condition could indicate an incomplete powder burn and/or a bullet stuck in the bore. Retract the Bolt slowly and remove the fired cartridge case. Clear the weapon and check for unburned powder grains in the Receiver or Bore, and for a Bullet stuck in the Bore. Clean out any unburned powder before resuming firing. If a Bullet is stuck in the Bore, do not attempt to remove it. Take the Firearm to a qualified Gunsmith.

## **IMMEDIATE ACTIONS — IN CASE OF TROUBLE!**

### **IF YOUR RIFLE/PISTOL STOPS FIRING: Perform the following IMMEDIATE ACTIONS...**

1. SLAP upward on Magazine to make sure it is properly seated.
2. PULL Charging Handle all the way back. Observe the ejection of the Case or Cartridge. Check Firing Chamber for any obstruction.



#### **WARNING... DO NOT LOAD WITH A HOT CHAMBER – A ROUND MAY “COOK OFF”.**

“Cooking Off” means that a Round may Detonate (Fire) unexpectedly just from being exposed to the heat existing in the Gun’s Firing Chamber.

3. If Cartridge or Case is ejected, or Chamber is clear, RELEASE Charging Handle to feed a new Round. Don’t “ride” the Charging Handle forward.
4. Now **FIRE**. If the Rifle/Pistol will not fire, look for trouble and apply the Remedial Actions described next.

## **REMEDIAL ACTIONS...**



**WARNING: IF YOUR FIREARM STOPS FIRING WITH A LIVE ROUND IN THE CHAMBER OF A HOT BARREL, REMOVE THE ROUND FAST. If you cannot remove it within 10 seconds, remove the magazine and wait 15 minutes with the Firearm pointing in a safe direction. This way you and those around you won’t get hurt by the possibility of a round “cooking off”.**

#### **KEEP YOUR FACE AWAY FROM THE EJECTION PORT WHILE CLEARING A HOT CHAMBER.**

1. If your Firearm still fails to fire after performing Immediate Action Steps above, check again for a jammed cartridge case.
2. If a cartridge case is stuck in the firing chamber, open the receivers, remove the bolt, and try to tap out the case with a cleaning rod. **IF THE FIREARM STILL FAILS TO FIRE, CHECK THE TROUBLESHOOTING**

Pg. 10 **SECTION IN THIS MANUAL – OR TAKE IT TO A QUALIFIED GUNSMITH FOR INSPECTION.**

## ***DISASSEMBLING YOUR 9MM PISTOL/CARBINE...***

- 1. CLEAR THE FIREARM!** (as described on Page 4). Remove Magazine and any Accessories or Sling for convenience.
- 2.** Push in Takedown Pin (a punch or other pointed tool can help) as far as it will go. Pivot Upper Receiver from Lower Receiver.
- 3.** Push in Pivot Pin (a punch or other pointed tool can help).
- 4.** Separate Upper and Lower Receivers.
- 5.** Pulling Charging Handle back will bring Bolt out of Upper Receiver.
- 6.** Completely remove Bolt from Upper Receiver (easiest if Upper Receiver is inverted).



- 7.** Then remove Charging Handle from Upper Receiver by pulling back until "Ears" on the Handle's shank clear the cutouts in Receiver.

## **DISASSEMBLY...** (Continued)

8. Remove the Firing Pin Retaining Pin from the Bolt. A punch or other pointed tool can help push it out far enough to grasp from left side.



Push out Firing Pin Retaining Pin from this side



9. Firing Pin is spring loaded, so once Firing Pin Retaining Pin is removed, Firing Pin should pop out of Bolt. If carbon or powder residue is preventing free movement of Firing Pin, turn bolt on end and tap on a hard surface to free it.

***Do Not open or close split end of Firing Pin Retaining Pin, and Do Not substitute a common cotter pin on reassembly.***



Firing Pin and Spring

## DISASSEMBLY... (Continued)

10. With Hammer cocked, depress Buffer Retainer with punch or Bullet tip to release Buffer and Spring.

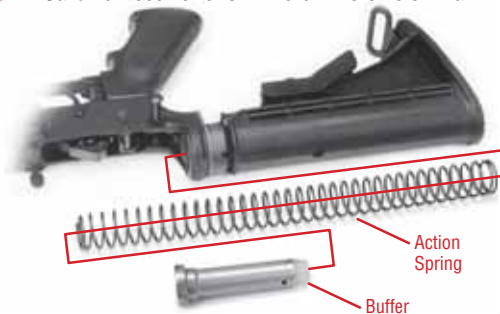
### CAUTION!

*Buffer is under tension from Action Spring.*

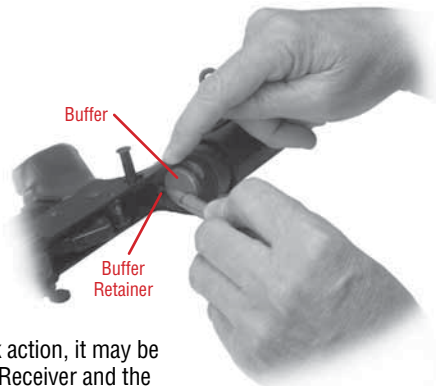
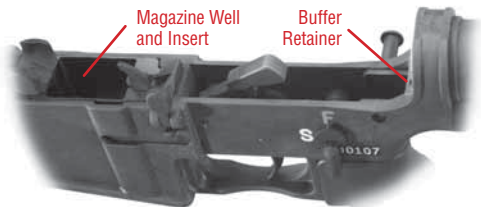
**NOTE:** Hammer needs to be cocked to allow Buffer and Spring to clear Receiver.

11. Pull out Buffer and Action Spring for cleaning.

**NOTE:** Carbine Receiver shown here - Pistol is similar.

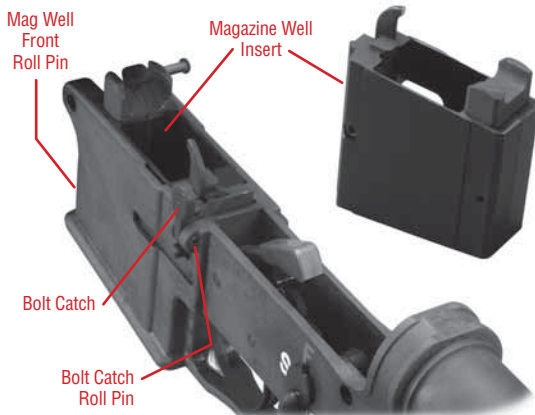


12. Due to the powder and carbon residues left in the blow back action, it may be necessary to clean the Magazine Well, the interior of Lower Receiver and the Magazine Well Insert periodically. The Insert can be removed from the Lower Receiver by removing the Bolt Catch (see photo next page) and a Front Roll Pin.



## **DISASSEMBLY...** (Continued)

12. To remove the Bolt Catch, carefully drive the Bolt Catch Roll Pin to the rear with a small punch and hammer. Take care not to damage the Receiver protrusions that are drilled for this Pin. Remove the Bolt Catch, and its Plunger and Spring. Then drive out a second Roll Pin located at the lower front of the Receiver's Magazine Well. The Magazine Well Insert can then be lifted out of the Lower Receiver. Two socket head screws hold the halves of the Magazine Well Insert - and its components - together. These can be removed for cleaning - use any quality firearms cleaning product.



13. The "Split" Handguards on the Carbine may be disassembled at any point in your cleaning procedures as necessary. As the Slip Ring (often called Delta Ring) which holds the handguards in place has a strong spring (the Weld Spring), it can necessary to have a buddy help you. **CAUTION: THE RIFLE SHOULD BE UNLOADED AND CLEARED.** Place the Carbine's Buttstock on the ground or a table, and press down on the Slip Ring with both hands. Have your buddy remove one Handguard, then the other. There are notches designed to align and hold the Handguards on the Handguard Cap (located just behind the Front Sight Base). There are also special tools designed to aid in Handguard removal / reinstallation. See these on Bushmaster's website ([www.bushmaster.com](http://www.bushmaster.com)) or call 1-800-998-7928 for information/orders.



## **INSPECTION — CLEANING — LUBRICATION...**

**AFTER FIRING YOUR 9MM PISTOL or CARBINE**, clean it as soon as possible to make the job easier and to avoid allowing the development of any corrosion or rust on steel parts (Carbon Fiber parts - Receivers, etc. - are unaffected by moisture).

**WHEN YOUR FIREARM HAS NOT BEEN FIRED**, you should clean it at least once or twice a year if you live in a temperate climate, or as often as once a week in a tropical climate.

**IF YOU GET YOUR FIREARM WET**, clean it as soon as possible to avoid the onset of any corrosion or rust.

Use a high quality rifle cleaning kit that includes a cleaning rod; swab holder; cotton flannel bore patches; a small toothbrush; brass wire bristle bore brush (size appropriate for 9mm caliber) and a Cleaner/Lubricant/Preservative (CLP in Army terminology).

**AFTER YOU HAVE DISASSEMBLED THE FIREARM, THOROUGHLY CLEAN, INSPECT AND LUBRICATE ALL PARTS ACCORDING TO THE TECHNIQUES DESCRIBED ON THE FOLLOWING PAGES.**



***Cleaning Kit with Patch Holder,  
and Bore Brush***



***A Quality Gun Oil /  
Cleaner / Preservative***

***Cotton Flannel  
Bore Patches***



**PLUS**, an old toothbrush for cleaning parts and dislodging dirt build-up, and pipe cleaners or Q-tips for cleaning hard to reach areas.

## **DETAILED CLEANING TECHNIQUES...**

**NOTE:** The procedures below describe cleaning with a standard military issue multi-piece rod cleaning kit. Other commercial cleaning kits may include alternate cleaning instructions which could be just as effective.

**CLEANING THE BORE:** The bore of your Bushmaster Firearm has Lands and Grooves called Rifling. Rifling makes the bullet spin very fast as it moves down the Bore and down range. It is difficult to **push** a new, stiff Bore Brush through the Bore. You will find it much easier, and more effective, to **pull your Bore Brush through the Bore**. Also, because the brush will clean better if the bristles follow the grooves (this is called tracking), you want the Bore Brush to be allowed to turn as you pull it through.

**ALWAYS CLEAN FROM FROM CHAMBER TOWARD THE MUZZLE.** Follow these steps:

1. Attach three Rod Sections together but leave each one about two turns short of being tight. Attach the Patch Holder but leave it two turns short of tight also.
2. Point Muzzle down. Hold the Upper Receiver in one hand while inserting the end of the Rod with Patch Holder attached into the Chamber. Guide the Rod carefully through the Bore. **CAUTION:** Do not let the Rod or its threaded end scratch the Rifling in the Bore or the Firing Chamber. About 2 - 3 inches of the Rod should protrude out of the Muzzle.
3. Attach the Handle Section of the Cleaning Rod to the end of the Rod sticking out of the Muzzle, and swab out the Bore with a patch moistened with "CLP".
4. Remove Patch Holder and attach Bore Brush (leaving it two turns short of tight).
5. Pull the Brush through the Bore and out the Muzzle. You should be able to see the Rod twisting as you pull it - this is the Brush "tracking" in the rifling.

**NEVER** reverse the direction of the Bore Brush while it is in the Bore.

## **DETAILED CLEANING TECHNIQUES...** (Continued)

6. After one pull, take off the handle section and repeat the process. After three or four pulls, the three rod sections and the Bore Brush may become screwed tightly together. Loosen them up and repeat the process.
7. Send a patch through the Bore occasionally to help clean out the crud that the brush is getting loose. Just replace the Bore Brush with the Rod Tip (Patch Holder) and a wet patch. Pull it through. If you leave the rods loose again, the patch will "track" in the rifling as before. But remember, always have the Bore **wet with cleaner** before trying to pull a brush through.

### **CLEANING THE UPPER RECEIVER...**

**NOTE:** Check to ensure that there is no looseness between the Barrel and the Upper Receiver - if you detect any movement by twisting with your hands, the Barrel Nut must be retorqued. Bring the Firearm to your Gunsmith.

1. Using a "CLP" type product, clean all areas (inside and out) of Powder Fouling, Carbon and Dirt.
- Never** use a wire brush or any type of abrasive to clean the Upper Receiver - a Toothbrush is good for loosening any dirt buildup.
2. Clean the Firing Chamber - dip Bore Brush in CLP and use at least 5 plunge strokes and 3 - 360° clockwise rotations. Then swab out the Bore as described previously to remove contaminated solution or loosened crud.
  3. Use a Toothbrush - wet with CLP - to clean carbon and powder residue from inside the Upper Receiver.
  4. Wipe all components clean and dry, and inspect for excessive wear, corrosion or mechanical damage. Contact your Gunsmith to replace any worn or defective parts before firing again (or call Bushmaster at 1-800-998-7928 for parts needs.)

## **DETAILED CLEANING TECHNIQUES...** (Continued)

### **CLEANING THE BOLT & COMPONENTS...**

1. Clean all surfaces of the Bolt with a Toothbrush, Q-Tips or Pipe Cleaners.
2. Clean and inspect Bolt, Firing Pin, Firing Pin Spring, and Firing Pin Retaining Pin thoroughly.

**CHECK THE BOLT:** Look for cracks or fractures. Inspect Bolt Face - Bolts with any pitting extending into the firing pin hole should be replaced.

**CHECK THE FIRING PIN:** If it is bent, cracked, too blunted or too sharp, it should be replaced.

**CHECK THE FIRING PIN RETAINING PIN:** If it is bent, or badly worn, it should be replaced. Never use a "Cotter Pin" as a substitute for a real Firing Pin Retaining Pin (cotter pins are NOT made of heat treated spring steel, and their round head shape will cause damage).

**CHECK THE EXTRACTOR:** If the Extractor is chipped, or has broken edges in the area of the lip that engages the cartridge rim, it should be replaced. Clean off any carbon buildup or powder residue.

### **CLEANING THE LOWER RECEIVER...**

1. Clean all areas of Powder Fouling, Corrosion, and Dirt - don't use a wire brush or any type of abrasive to clean the Lower Receiver.
2. Wipe any dirt from the Trigger Mechanism. Carefully clean the Magazine Release Button and the cavity for the Magazine Catch on the left side of the Receiver. Also inspect and clean the Bolt Catch Mechanism and Receiver's Takedown and Pivot Pins. Clean the Buffer, Action Spring, and inside the Lower Receiver Extension (the Buffer Tube). A piece of rag attached to the Cleaning Rod and Patch Holder can be used to wipe inside the Buffer Tube. Telescoping Buttstock (on Carbine) may require cleaning as necessary. Telescoping Stock Latch can be pulled down to remove Stock from Receiver Extension Tube.

# LUBRICATING YOUR 9MM PISTOL / CARBINE.....

## UPPER RECEIVER...

**Lightly Lubricate** the inside of Upper Receiver, the Bore and Chamber (using the cleaning rod and a patch), the outer surfaces of the Barrel and Front Sight, and surfaces under the Handguards.

**Bolt:** Generously lubricate all surfaces of the Bolt - a lighter application is good on the Extractor.

**Firing Pin:** Lightly lubricate the Firing Pin with CLP - also the Firing Pin recess in the Bolt.

**Charging Handle:** Lightly lubricate the Charging Handle and it's Latch and Spring.

**Front Sight Detent:** Depress Detent and apply two or three drops of CLP to it. Depress the Detent several more times to work the lubricant down into the Spring.

## LOWER RECEIVER...

Generously lubricate **ALL MOVING PARTS INSIDE THE LOWER RECEIVER** including the Trigger, Hammer, Safety, Bolt Catch, Magazine Release, etc), and their various Pins and Detents. If the firearm is a Full-Auto model, the Auto Sear and Spring will also require lubrication. Don't forget the Takedown and Pivot Pins and their Detents. Use an oiled rag to wipe off fingerprints on exterior surfaces (black cloth is best as it won't leave visible lint).

**Lower Receiver Extension:** Lightly lubricate inside the Lower Receiver Extension (the Buffer Tube). Lubricate the Buffer and the Action Spring. Also lightly lubricate the Telestock Latch and exterior of the Receiver Extension.



Front Sight Detent  
Carbine shown -  
Pistol is similar

## **LUBRICATION...** (Continued)

### **LUBRICATION – ADJUSTABLE REAR SIGHT...**

**NOTE:** Record how far you move the Rear Sight so it can be returned to its original position upon the completion of this task.

**Rear Sight Moving Parts:** Use 1 or 2 drops of CLP. Rotate these parts to ensure that the lubricant is spread evenly above, below and around the threads of the **Windage Knob / Windage Screw / Detent Hole in Windage Knob / Dual Aperture Flip-up**

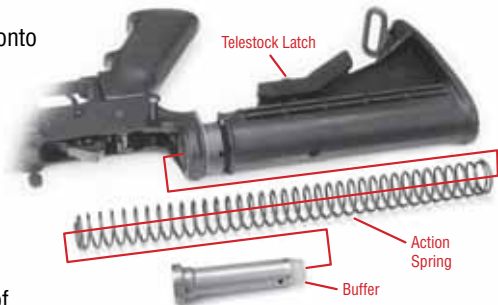
## **REASSEMBLING YOUR 9MM PISTOL / CARBINE...**

### **LOWER RECEIVER...**

1. Insert Action Spring and Buffer (the Spring will lock onto the Buffer if you slide it on - then push and twist counterclockwise). Depress Buffer Detent and push the Buffer in past the Detent, then release Detent.

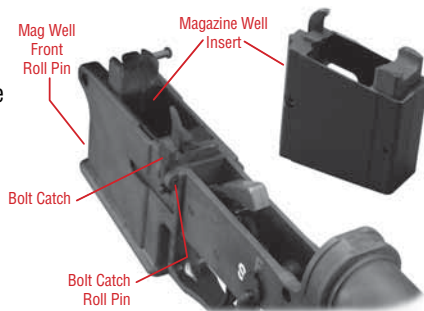
**NOTE:** Carbine Receiver shown here - Pistol is similar.

2. If you disassembled the Carbine's Telestock for cleaning / lubrication, re-assembly of Telestock Body onto Extension Tube requires the Telestock Latch be pulled down far enough for its pin to clear the slide track. Check for correct function of all six positions of Telestock.



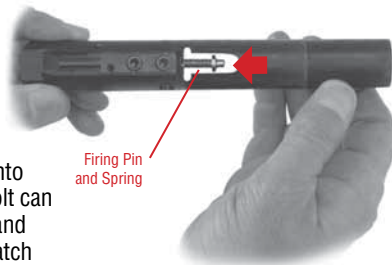
## **REASSEMBLY...** (Continued)

3. If the Magazine Well Insert was removed from the Lower Receiver, re-assemble all its components into the left half (which holds the Ejector). Then Screw the right half down onto the left with the Two Socket Head Screws. Re-insert the Magazine Well Insert into the Lower Receiver and carefully re-install the Bolt Catch Spring, Plunger and Bolt Catch. Press down on Bolt Catch components to tension its Spring (this step may require a helper), and carefully re-install the Bolt Catch Roll Pin with a small punch and hammer (again, take care not to damage the Receiver protrusions as you tap this Roll Pin back into place). Then re-install the Magazine Well Front Roll Pin.



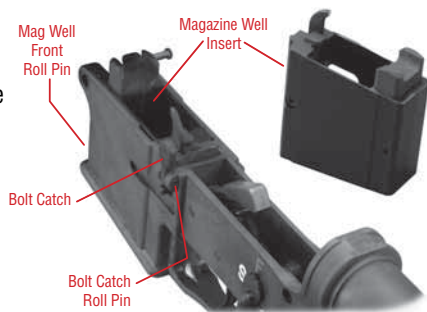
## **UPPER RECEIVER...**

1. Re-insert Firing Pin - with Spring - into Bolt. Push Firing Pin completely into Bolt (you will feel some tension from Spring), then insert Firing Pin Retaining Pin to hold it in place. Check for Spring function, and observe tip of Firing Pin as it protrudes from Bolt face when pushed all the way forward.
2. Re-insert Charging Handle and Bolt into Upper. With the Upper in an inverted position, the Charging Handle "ears" must drop into cutouts in slot inside the Upper. Then the guide on top of the Bolt can be dropped into the slot in the bottom of the Charging Handle, and both Bolt and Handle can be pushed forward until the Handle Latch locks onto the Upper Receiver.



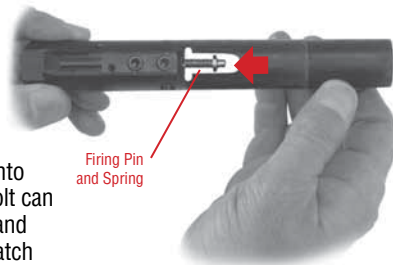
## **REASSEMBLY...** (Continued)

3. If the Magazine Well Insert was removed from the Lower Receiver, re-assemble all its components into the left half (which holds the Ejector). Then Screw the right half down onto the left with the Two Socket Head Screws. Re-insert the Magazine Well Insert into the Lower Receiver and carefully re-install the Bolt Catch Spring, Plunger and Bolt Catch. Press down on Bolt Catch components to tension its Spring (this step may require a helper), and carefully re-install the Bolt Catch Roll Pin with a small punch and hammer (again, take care not to damage the Receiver protrusions as you tap this Roll Pin back into place). Then re-install the Magazine Well Front Roll Pin.



## **UPPER RECEIVER...**

1. Re-insert Firing Pin - with Spring - into Bolt. Push Firing Pin completely into Bolt (you will feel some tension from Spring), then insert Firing Pin Retaining Pin to hold it in place. Check for Spring function, and observe tip of Firing Pin as it protrudes from Bolt face when pushed all the way forward.
2. Re-insert Charging Handle and Bolt into Upper. With the Upper in an inverted position, the Charging Handle "ears" must drop into cutouts in slot inside the Upper. Then the guide on top of the Bolt can be dropped into the slot in the bottom of the Charging Handle, and both Bolt and Handle can be pushed forward until the Handle Latch locks onto the Upper Receiver.





## ***PROBLEMS / SOLUTIONS...*** (Continued)

<b>PROBLEM:</b>	<b>CHECK FOR:</b>	<b>WHAT TO DO:</b>
<b>BOLT WON'T UNLOCK</b>	DIRTY OR BURRED BOLT	CLEAN, OR SEE YOUR GUNSMITH
<b>WON'T EXTRACT</b>	BROKEN EXTRACTOR	SEE YOUR GUNSMITH
	DIRTY OR CORRODED AMMO	REMOVE STUCK ROUND: PUSH OUT WITH CLEANING ROD
	CARBON IN CHAMBER	CLEAN CHAMBER
	FOULING OR CARBON IN EXTRACTOR LIP	CLEAN EXTRACTOR LIP / BOLT FACE
<b>WON'T FEED</b>	DIRTY OR CORRODED AMMO	CLEAN
	DIRTY MAGAZINE	CLEAN
	DEFECTIVE MAGAZINE	REPLACE
	TOO MANY ROUNDS IN MAGAZINE	TAKE OUT EXCESS AMMUNITION
	ACTION OF BUFFER ASSEMBLY IS RESTRICTED	REMOVE BUFFER AND SPRING: CLEAN THEM


## **PROBLEMS / SOLUTIONS...** (Continued)

<b>PROBLEM:</b>	<b>CHECK FOR:</b>	<b>WHAT TO DO:</b>
<b>WON'T FEED</b> (continued)	MAGAZINE NOT FULLY SEATED	ADJUST MAGAZINE CATCH: PRESS MAGAZINE CATCH BUTTON IN FROM RIGHT SIDE OF RECEIVER. TURN CATCH CLOCKWISE FROM LEFT SIDE OF RECEIVER TO TIGHTEN AND COUNTERCLOCKWISE TO LOOSEN.
<b>DOUBLE FEED</b>	DEFECTIVE MAGAZINE	REPLACE
<b>WON'T CHAMBER</b>	DIRTY / CORRODED AMMO	CLEAN
	DAMAGED AMMO	REPLACE
	CARBON IN CHAMBER	CLEAN
<b>BOLT FAILS TO LOCK AFTER LAST ROUND</b>	DIRTY OR CORRODED BOLT CATCH	CLEAN - OR REPLACE - BOLT CATCH. CHECK FOR BUFFER ENDCAP BACKOUT OR OBSTRUCTION CHECK FOR FULL TRAVEL OF BOLT
	FAULTY MAGAZINE	REPLACE
<b>SELECTOR LEVER BINDS</b>	NEEDS OIL	LUBRICATE WITH CLP
	DIRT OR SAND UNDER TRIGGER	CLEAN

## **PLEASE PRACTICE SAFE FIREARMS HANDLING!**

 **WARNING:** IF THIS FIREARM IS CARELESSLY OR IMPROPERLY HANDLED, UNINTENTIONAL DISCHARGE COULD RESULT AND COULD CAUSE INJURY, DEATH, OR DAMAGE TO PROPERTY.

 **CAUTION:** CAREFULLY READ THIS INSTRUCTION MANUAL PRIOR TO LOADING AND FIRING THIS FIREARM. FOLLOW ALL INSTRUCTIONS ON THE PROPER HANDLING AND SAFE USE OF THIS FIREARM - LIVES MAY DEPEND ON IT!

 **CAUTION:** USE ONLY CLEAN, DRY, HIGH QUALITY COMMERCIALY MANUFACTURED AMMUNITION IN GOOD CONDITION which is appropriate to the 9MM NATO (9MM x 19MM) caliber of your firearm. Bushmaster does not recommend the use of remanufactured or hand loaded ammunition because it may damage your rifle.

 **WARNING:** THIS WEAPON COULD CHAMBER A ROUND if it is dropped or jarred with a loaded magazine in place - either with the Bolt Carrier Assembly locked to the rear, or in its forward position.

**A SAFETY NOTE REGARDING LEAD...** Discharging firearms in poorly ventilated areas, cleaning firearms, or handling ammunition may result in exposure to lead, a substance known to cause birth defects, reproductive harm, and other serious physical injury. Have adequate ventilation at all times. Wash hands thoroughly after exposure.

***This Bushmaster Operating and Safety Instruction Manual should always be kept with your Bushmaster Firearm, and in case of sale or transfer, should be passed on to subsequent owners.***

Model: \_\_\_\_\_

Serial Number: \_\_\_\_\_

Sold To: \_\_\_\_\_

Date Sold: \_\_\_\_\_



999 Roosevelt Trail  
Windham, ME 04062 U.S.A.

Part # AZ9-MANOP  
V.1 - 11/05



***Bushmaster Firearms, Inc. • P.O. Box 1479 • 999 Roosevelt Trail • Windham, Maine 04062 U.S.A.  
Tel.: 207 892 3594 • Toll Free: 1 800 998 7928 • Customer Service: 1 800 883 6229 • Fax: 207 892 8068  
Web: <http://www.bushmaster.com> • E-Mail: [info@bushmaster.com](mailto:info@bushmaster.com)***



*Made with Pride in the U.S.A.*