



BROWNING®

The Best There Is.

OWNER'S MANUAL

VERY IMPORTANT:

Save This Booklet. Carefully read this entire manual before using your new Browning firearm.

BPS

**BROWNING PUMP ACTION SHOTGUN
12, 20 & 28 GA. MODELS
AND GAME GUN MODELS**

NEW GUN OWNERS RECORD

KEEP THIS RECORD FOR FUTURE REFERENCE

Browning Model

Serial Number

Gauge / Caliber

Purchase Price

Purchased From

Date of Purchase

Thank you for choosing a Browning BPS shotgun.

The BPS has a proven design that incorporates the best of Browning workmanship and rugged dependability. The Browning BPS offers the same pride of ownership that one receives from our fine over and unders. With a reasonable amount of care, your BPS shotgun should give you many years of dependable, enjoyable service. Please feel free to write us immediately if you have any observations regarding its performance and operation.

Thank You.



One Browning Place, Morgan, Utah 84050-9326

Distributed in Canada by Browning Canada Sports Ltd./Ltee, St-Laurent, Quebec H4S 1W6

Printed in USA KP94062-94127

BPS BROWNING PUMP ACTION SHOTGUN
12, 20 & 28 GA. MODELS
AND GAME GUN MODELS

You Are Responsible For Firearms Safety

As a gun owner, you accept a set of demanding responsibilities. How seriously you take these responsibilities can be the difference between life and death.

There is no excuse for careless or abusive handling of any firearm. At all times handle your shotgun and any other firearm with intense respect for its power and potential danger.

PLEASE READ AND UNDERSTAND ALL OF THE CAUTIONS, PROPER HANDLING PROCEDURES AND INSTRUCTIONS

OUTLINED IN THIS BOOKLET BEFORE USING YOUR NEW FIREARM.

- 1 ALWAYS KEEP THE MUZZLE OF ANY FIREARM POINTED IN A SAFE DIRECTION.**

Do this even though you are certain it is unloaded. Never point any firearm at anything you do not intend to shoot. Be extremely alert and aware of all persons and property within the range of your ammunition.

- 2 NEVER RELY TOTALLY ON YOUR SHOTGUN'S MECHANICAL "SAFETY" DEVICES.**

Always assume that your gun can be fired at any time, even with all safety mechanisms engaged. The word "safety" describes a gun's mechanical devices that are designed to place your gun in a **SAFER** status. No guarantee can be made

that the gun will not fire even if the "safety" is in the "on safe" position. See "Operation of the Safety" later in this manual for instructions on operation of this gun's safety.

LIKE ANY MECHANICAL DEVICE, A "SAFETY" CAN SOMETIMES FAIL; IT CAN BE JARRED OR INADVERTENTLY MANIPULATED INTO AN UNSAFE CONDITION.

Mechanical "safeties" merely aid safe gun handling and are no excuse for pointing your shotgun's muzzle in an unsafe direction. While it is a good idea to "test" your shotgun's mechanical "safeties" periodically for proper function, **NEVER TEST THEM WHILE YOUR FIREARM IS LOADED OR POINTED IN AN UNSAFE DIRECTION.** Safe gun handling does not stop with your gun's mechanical "safety" devices — it starts there. Always treat this

shotgun with the respect due a loaded, ready-to-fire gun.

NEVER TEST THE MECHANISM OF ANY FIREARM WHILE IT IS LOADED OR POINTED IN AN UNSAFE DIRECTION.

- 3 WHENEVER YOU HANDLE ANY FIREARM, OR HAND IT TO SOMEONE, MAKE SURE IT IS COMPLETELY UNLOADED.**

Always open the action immediately, visually check the chamber. Make certain that they do not inadvertently contain any ammunition. Always keep the chamber empty and "safety" in the "on safe" position unless shooting is imminent.

- 4 DO NOT TRANSPORT ANY FIREARM LOADED.**

Keep all firearms unloaded during transport, whether stored in a holster, gun case, scabbard or other container.

5 **HUNTING FROM ELEVATED SURFACES SUCH AS TREE STANDS IS DANGEROUS.**

Doing so may increase the risk of handling any firearm. The following rules should always be observed by you and those you hunt with: **Always** make certain that the stand being used is safe and stable. **Always** make certain that your firearm is unloaded when it is being taken up and down from the stand. **Always** make certain that your firearm is not dropped from the stand, or dropped while it is being taken up or down from the stand. **Remember**, a loaded firearm may discharge when dropped, even with the safety in the "on safe" position.

6 **BEWARE OF BARREL OBSTRUCTIONS.**

Do this for the safety of both your gun and yourself. Mud, snow, and an infinite variety of other objects may inadvertently lodge in

a barrel bore. It takes only one small obstruction to cause dangerously increased pressures that can ruin (swell or rupture) the finest barrels.

BEFORE CHECKING FOR A BARREL OBSTRUCTION, BE CERTAIN YOUR FIREARM IS FULLY UNLOADED.

Make sure no live rounds are in the chambers. Place the safety in the "on safe" position. After assuring yourself that the firearm is completely unloaded, again, open the action and look through the barrel to be sure it is clear of any obstruction. If an obstruction is seen, no matter how small it may be, clean the bore with a cleaning rod and patch as described in "Cleaning and Maintenance Suggestions" later in this manual. Before the first firing, clean the bore with a cleaning rod and

patch, and wipe away any anti-rust compounds in the action/chamber areas.

7 **ALWAYS COMPLETELY UNLOAD ALL FIREARMS WHEN NOT IN USE.**

As a safety precaution, it is preferable to disassemble your gun for storage. Store your gun and ammunition separately — well beyond the reach of children. Take all safeguards to ensure your shotgun does not become available to untrained, inexperienced or unwelcome hands.

8 **USE THE PROPER AMMUNITION.**

The barrel and action of all Browning firearms have been made with substantial safety margins over the pressures developed by established American commercial loads. Nevertheless, Browning assumes no liability for incidents which occur through the use of cartridges of nonstandard di-

mensions which develop pressures in excess of commercially available ammunition which has been loaded in accordance with standards established by the Sporting Arms and Ammunition Manufacturers Institute. (SAAMI).

9 **BE ALERT TO THE SIGNS OF AMMUNITION MALFUNCTION.**

IF YOU DETECT AN OFF SOUND OR LIGHT RECOIL WHEN A CARTRIDGE IS FIRED, DO NOT LOAD ANOTHER SHELL INTO THE CHAMBER.

Open the action and remove all cartridges from the chamber(s), as well as the action areas and magazine (when applicable). With the action open, glance down the barrel(s) to make sure that a wad or other obstruction does not remain in the barrel. Completely clear the barrel before loading

and firing again. Failure to follow these instructions can cause extensive damage to your gun and possible serious injury to yourself and others.

- 10 **MAKE SURE OF ADEQUATE VENTILATION IN THE AREA THAT YOU DISCHARGE A FIREARM. WASH HANDS THOROUGHLY AFTER EXPOSURE TO AMMUNITION OR CLEANING A FIREARM.**

Lead exposure can be obtained from discharging firearms in poorly ventilated areas, cleaning firearms or handling ammunition. Lead is a substance that has been known to cause birth defects, reproductive harm and other serious injury.

- 11 **NEVER INSERT A SHELL OF THE INCORRECT GAUGE IN ANY SHOTGUN.**

The gauge of your shotgun is marked on the side of the barrel. Store all shells of

different gauges in completely separate and well-marked containers. Never store shells of mixed gauges in a common container or in your pockets.

EXAMINE EVERY SHELL YOU PUT IN YOUR GUN.

The most certain way to bulge or rupture a shotgun barrel is to drop a smaller gauge shell into a larger gauge chamber. Your gun will misfire (with the chamber appearing to be empty). It is then possible to load another shell behind the lodged shell. If the gun is fired, the result can cause extensive damage to your gun and possible serious injury to you and others.

- 12 **USE SHELLS OF THE CORRECT LENGTH.**

Do not use 3½" shotgun shells in any shotgun or barrel with a 2¾" chamber or

3" chamber. Do not use 3" shells in a shotgun chambered for 2¾" shells only. Doing so can result in a build-up of dangerously high pressures that may damage your gun and possibly cause serious injury to yourself or others. The size of the chamber is inscribed, along with gauge, on the side of the barrel

- 13 **DO NOT SNAP THE FIRING PIN ON AN EMPTY CHAMBER — THE CHAMBER MAY NOT BE EMPTY!**

Treat every gun with the respect due a loaded gun, even though you are certain the gun is unloaded.

- 14 **KEEP YOUR FINGERS AWAY FROM THE TRIGGER WHILE UNLOADING, LOADING, UNTIL YOU ARE READY TO SHOOT.**

- 15 **BE SURE OF YOUR TARGET AND BACKSTOP.**

Particularly during low light periods. Know the range of your ammunition. Never shoot at water or hard objects.

- 16 **ALWAYS UNLOAD THE CHAMBER AND MAGAZINE OF ANY FIREARM BEFORE CROSSING A FENCE, CLIMBING A TREE, JUMPING A DITCH OR NEGOTIATING OTHER OBSTACLES.**

Never lean or place any loaded firearm on or against a fence, tree, car, or other similar object.

- 17 **WEAR EYE AND EAR PROTECTION WHEN SHOOTING.**

Unprotected, repeated exposure to gunfire can cause hearing damage. Wear ear protectors (shooting ear plugs or muffs) to

guard against such damage. Wear shooting glasses to protect your eyes from flying particles. Allow proper distance (eye relief) between the scope and your eye when firing a scoped rifle or shotgun. Always keep a safe distance between the muzzle of your firearm and any persons nearby, as muzzle blast, debris and ejecting shells could inflict serious injury. Also, wear eye protection when disassembling and cleaning your shotgun to prevent the possibility of springs, spring-tensioned parts, solvents or other agents from contacting your eyes.

18 DROPPING A LOADED GUN CAN CAUSE AN ACCIDENTAL DISCHARGE.

This can occur even with the "safety" in the "on safe" position. Be extremely careful while hunting or during any shooting activity, to avoid dropping any firearm.

19 IF YOUR SHOTGUN FAILS TO FIRE, KEEP THE MUZZLE POINTED IN A SAFE DIRECTION.

Hold this position for a minimum of 30 seconds. Carefully open the action and remove the cartridge. If the primer is indented, the cartridge should be disposed of in a way that cannot cause harm. If the primer is not indented, your firearm should be examined by a qualified gunsmith and the cause of the malfunction should be corrected before further use.

20 BE DEFENSIVE AND ON GUARD AGAINST UNSAFE GUN HANDLING AROUND YOU AND OTHERS.

Don't be timid when it comes to gun safety. If you observe other shooters violating any of these safety precautions, politely suggest safer handling practices.

21 BE CERTAIN YOUR SHOTGUN IS UNLOADED BEFORE CLEANING.

Because so many gun accidents occur when a firearm is being cleaned, special and extreme care should be taken to be sure your gun is unloaded before disassembly, cleaning and reassembling. Keep ammunition away from the cleaning location. Never test the mechanical function of any firearm with live ammunition.

22 EDUCATE AND SUPERVISE FIREARMS SAFETY TO ALL MEMBERS OF YOUR FAMILY — ESPECIALLY TO CHILDREN AND NONSHOOTERS.

Closely supervise newcomers to the shooting sports. Encourage enrollment in hunting/shooting safety courses.

23 NEVER DRINK ALCOHOLIC BEVERAGES OR TAKE ANY TYPE OF DRUGS BEFORE OR DURING SHOOTING.

Your vision and judgment could be dangerously impaired, making your gun handling unsafe to you and to others.

24 PERFORM PERIODIC MAINTENANCE. AVOID UNAUTHORIZED SERVICING.

Your new firearm is a mechanical device which will not last forever, and as such, is subject to wear and requires periodic inspection, adjustment, and service. Browning firearms should be serviced by a Browning Recommended Service Center or by Browning's service facility in Arnold, Missouri. Browning cannot assume any responsibility for injuries suffered or caused by unauthorized servicing, alterations or modifications of Browning firearms.

25 READ AND HEED ALL WARNINGS in this instruction book, on ammunition boxes and with all accessories that you install on your firearm. It is your responsibility to secure the most up-to-date information on the safe handling procedures for your

Browning gun. Browning assumes no liability for incidents which occur when unsafe or improper gun accessories or ammunition combinations are used.

26 BROWNING RESERVES THE RIGHT TO REFUSE SERVICE ON FIREARMS THAT HAVE BEEN ALTERED, ADDED TO OR SUBSTANTIALLY CHANGED.

Removal of metal from barrel(s), or modifications of the firing mechanism and/or operating parts may lead to Browning's refusal of service on such firearms.

Browning will charge the owner for parts and labor to return the firearm to original Browning specifications.

DO NOT, UNDER ANY CIRCUMSTANCES, ALTER THE TRIGGER, SAFETY OR OTHER PARTS OF THE FIRING MECHANISM OF THIS OR ANY OTHER FIREARM. FAILURE TO OBEY THIS WARNING MAY RESULT IN INJURY OR DEATH TO YOURSELF OR OTHERS.

BE CAREFUL!

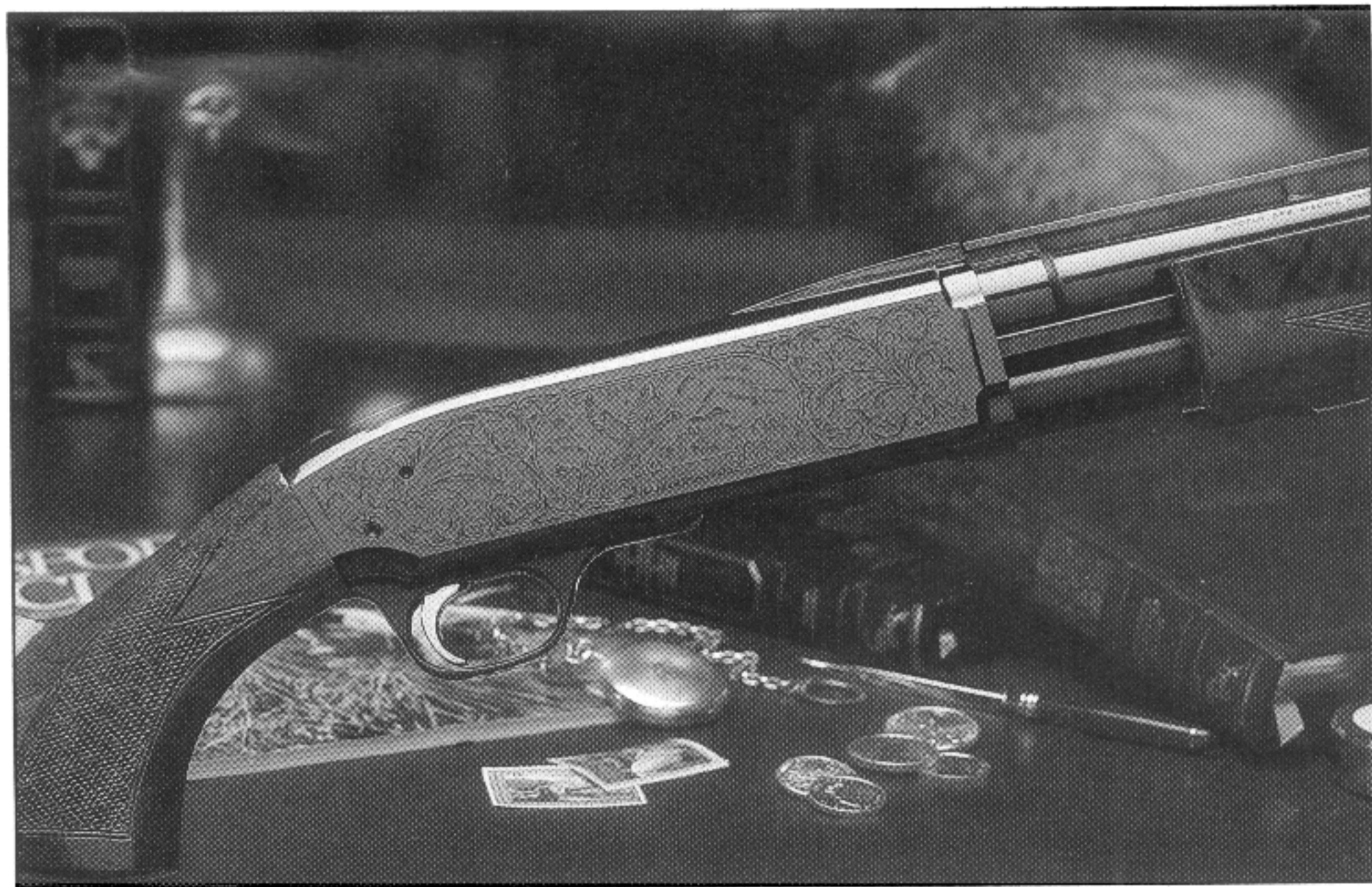
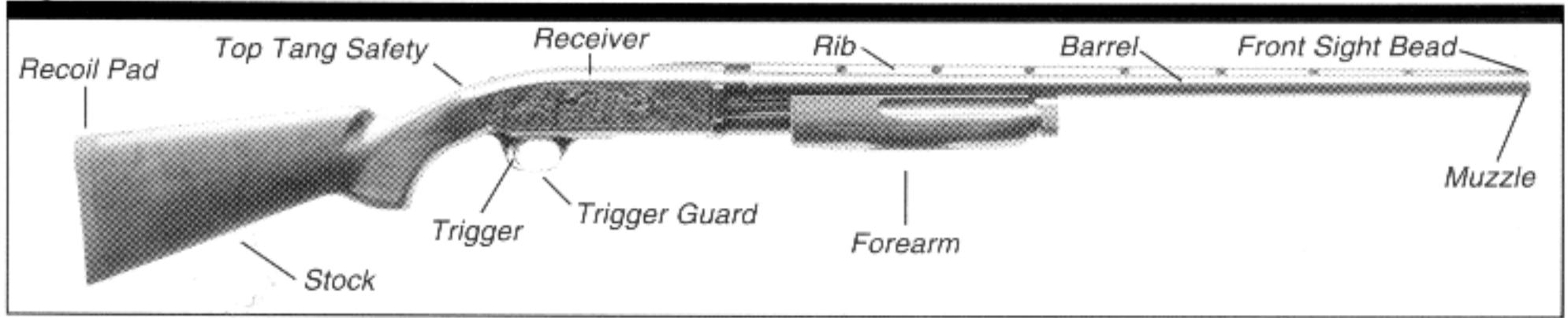
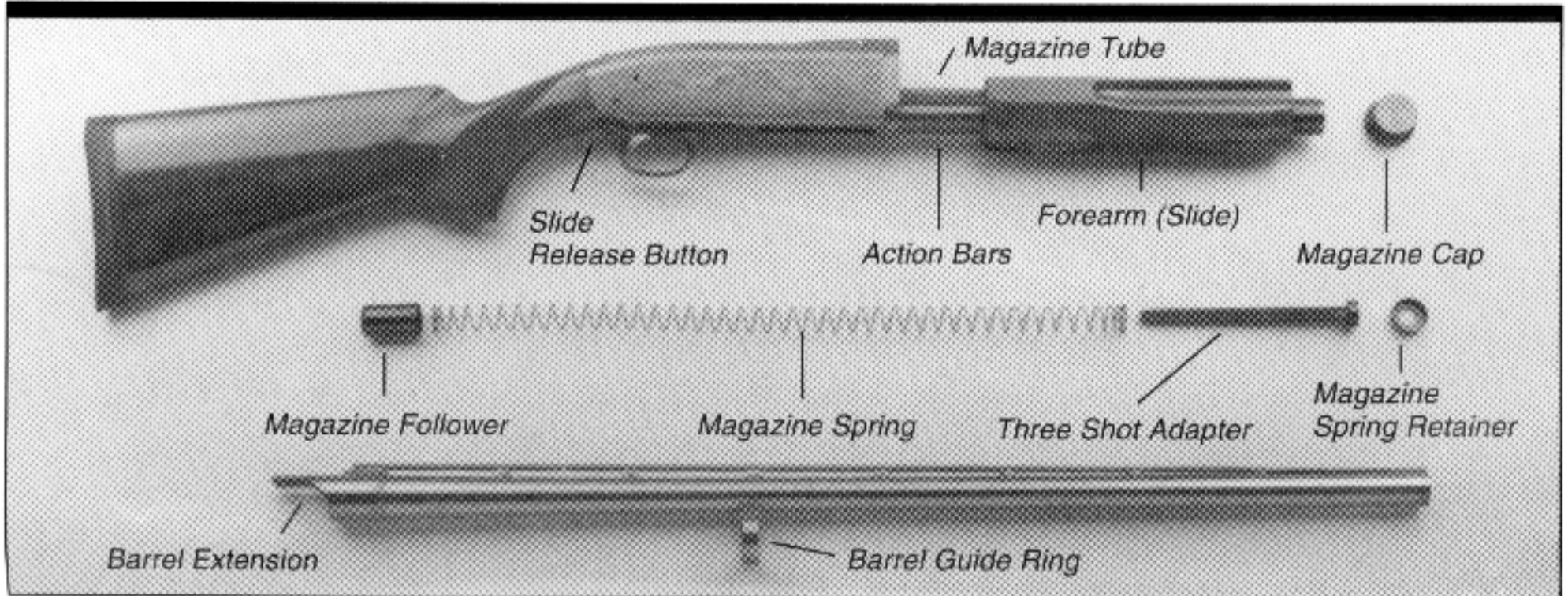


Figure 1A**Figure 1B**

Nomenclature

In conventional gun terminology, the position and movement of shotgun parts are described as they occur with the shotgun horizontal and in normal firing position; i.e. the muzzle is forward or front; the butt stock is rearward or rear; the trigger is downward or underneath; the sight is upward or on top. For general parts nomenclature, refer to Figure 1-A. All figures and schematics will refer to the 12, 20 and 28 gauge BPS Shotgun unless otherwise noted. The Browning BPS is also shown disassembled to the extent necessary in order to follow instructions contained in this book (See Figure 1-B).

General Operation

The BPS shotgun is a manually operated, slide action, repeating shotgun. The release

mechanism is operated by moving the slide (forearm) in a rearward motion, followed by a forward motion. This action unlocks the breechblock, extracts and ejects the fired shell casing, transfers a live shell from the magazine to the chamber and re-locks the breechblock. The BPS is loaded from the bottom of the receiver and fired shell casings are ejected from a bottom ejection port. Bottom loading and ejection makes the BPS ambidextrous. The BPS is designed so that the barrel can be easily removed by unscrewing the magazine cap from the magazine tube and then sliding the barrel forward out of the receiver. This facilitates cleaning, transportation and storage.

Initial Cleaning

Various exposed metal parts of your new BPS have been coated at the factory with a

rust preventative compound. Before assembling your BPS, clean the anti-rust compound from the inside of the barrel, receiver and the action/chamber areas. Browning Oil is ideal for removing this compound and for giving your new gun its first lubrication, however, any quality gun oil may be used. Clean the barrel using a cleaning rod and patch as explained under "Cleaning and Maintenance Suggestions" on page 19 and 20.

Serial Number

The serial number of your BPS shotgun is found on the right side of the receiver, at the bottom, near the front — just above the ejection/loading port.

Ammunition

All current 12 and 20 gauge BPS models have a 3-inch chamber (except the 3½" 12 gauge model) and are designed to shoot and function with all factory loads: 3-inch Magnum, 2¾"

Magnum, 2¾" High Velocity loads, 2¾" Field and 2¾" Target loads. The 28 gauge BPS is chambered for 2¾" loads. The BPS is especially suited to shooting factory steel shot loads. Loads can be intermixed in the magazine, in any order. The rifled choke tube supplied with the "Deer Special" Game Gun is specially designed for shooting Foster or Sabot type slugs. Browning can assume no responsibility for incidents which occur through the use of cartridges of nonstandard dimension or those developing pressures in excess of SAAMI (Sporting Arms and Ammunition Manufacturer's Institute) established standards.

CAUTION: SOME EARLIER BPS MODELS HAD A 2¾" CHAMBER.

The length of the chamber is designated on the right side of the barrel (toward the chamber). Current models of 12 and 20 gauge will be stamped 2¾" and 3" Field model or 2¾" and 3" Game Gun model.

IF THE BARREL IS STAMPED 2¾" ONLY, USE 2¾" SHELLS ONLY. DO NOT USE 3½" SHELLS IF THE BARREL IS STAMPED 3" OR 2¾" SHELLS ONLY.

DOING SO CAN RESULT IN A BUILD-UP OF DANGEROUSLY HIGH PRESSURES THAT MAY DAMAGE YOUR GUN AND POSSIBLY CAUSE SERIOUS INJURY TO YOURSELF OR OTHERS.

Operation of the "Safety"

The thumb "safety" is located on the top rear portion of the receiver. To move the "safety" to the "on safe" position press the safety rearward with your thumb so that the red warning dot is covered. To move the safety to off safe, press the thumb safety forward with your thumb, exposing the red warning dot, indicating that the gun is ready to fire (See Figure 2).

Figure 2



"On Safety" position

*Off Safety position
(Red warning dot visible)*

Note: Do not depend on the red color alone to indicate your gun's safety status, as time, exposure to the elements, as well as the abrasive action of cleaning agents can erase it.

Slide Release Button

When the slide on the BPS is positioned fully forward it locks into position, closing and locking up the breechblock. It is necessary to release it — allowing the slide to be pulled

Figure 3

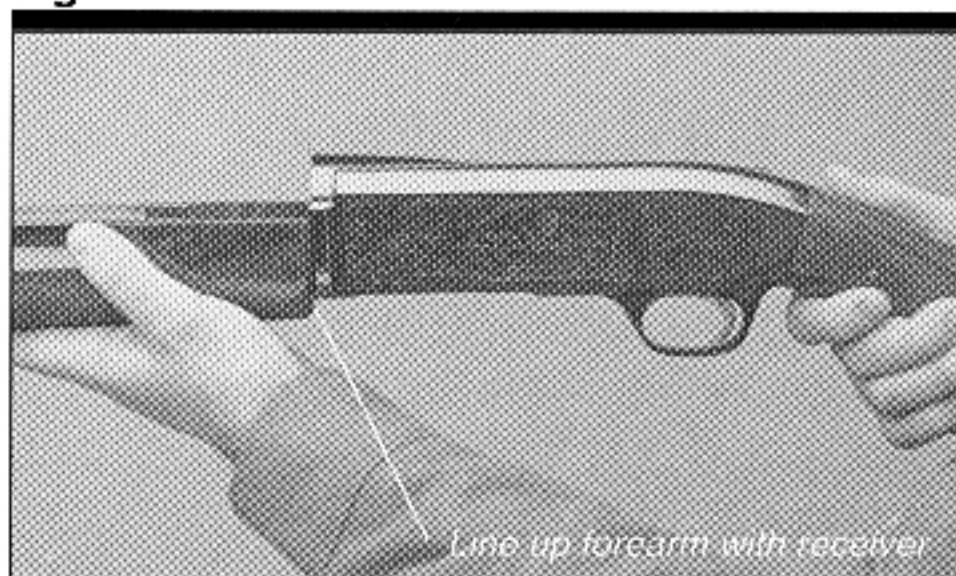
rearward — in order to follow normal shooting procedures and assembly as outlined below. The button is located on the left side of the trigger guard, at the rear, behind the trigger (See Figure 3). To release the slide, apply rearward pressure on the slide while simultaneously pushing up on the slide release button. The button moves upward and slightly to the rear when depressed.

If you are a right-handed shooter, reach under the rear of the trigger guard — to the opposite side — with your finger and push up on the button. Left-handed shooters simply lift up on the button with your trigger finger. Specific uses of the slide release button are outlined below.

How to Assemble the Barrel to the Receiver

The BPS is delivered, in the box, with the barrel removed and the forearm still attached to the magazine tube. It is important to *follow the exact sequence* for assembly in steps 1 and 2, in order to properly assemble your BPS. Always place the safety in the “on safe” position before beginning assembly procedures.

- 1 Remove the magazine cap. Depress the slide release and pull the forearm completely to the rear-most position.

Figure 4

- 2 Hold the stock/receiver in a horizontal position with the ejection port down. Then, with the forearm already in the fully rearward position, push the forearm forward until the rear of the forearm is even with the front of the receiver (See Figure 4).

SPECIAL EXPLANATION:

In order to introduce the barrel extension into the receiver, the carrier must be lowered. To effectively lower the carrier, *the*

forearm must be moved completely to the rear first. Then, the forearm must be partially moved forward (as detailed in step 2) so that the barrel extension will not bind against the carrier. With the ejection port downward, the bolt will retain the carrier in a position low enough to allow easy insertion of the barrel.

- 3 Before attaching the barrel, be sure to glance through the bore to be sure it is clear of any obstructions.
- 4 With the forearm positioned as explained in step 2, insert the barrel extension into the receiver. Move the barrel rearward, guiding the barrel guide ring over the magazine tube. The barrel tab projects from the most rearward rib post on the top of the barrel. Be sure the barrel tab aligns with and enters the recess in the front, upper surface of the receiver (See Figure 5).

Figure 5



IMPORTANT: BPS Game Guns are shipped with a barrel stabilizing split ring and a barrel stabilizing lock washer on the magazine tube. This special design ensures a very rigid barrel mounting method for maximum accuracy. *You must remove the barrel stabilizing ring and washer from the magazine tube before installing the barrel.* After mounting the barrel to the action, slide the barrel stabilizing split ring

on the magazine tube, being sure that the beveled surfaces of both the split ring and guide ring match. Place the lock washer on top of the split ring. (See Figure 6).

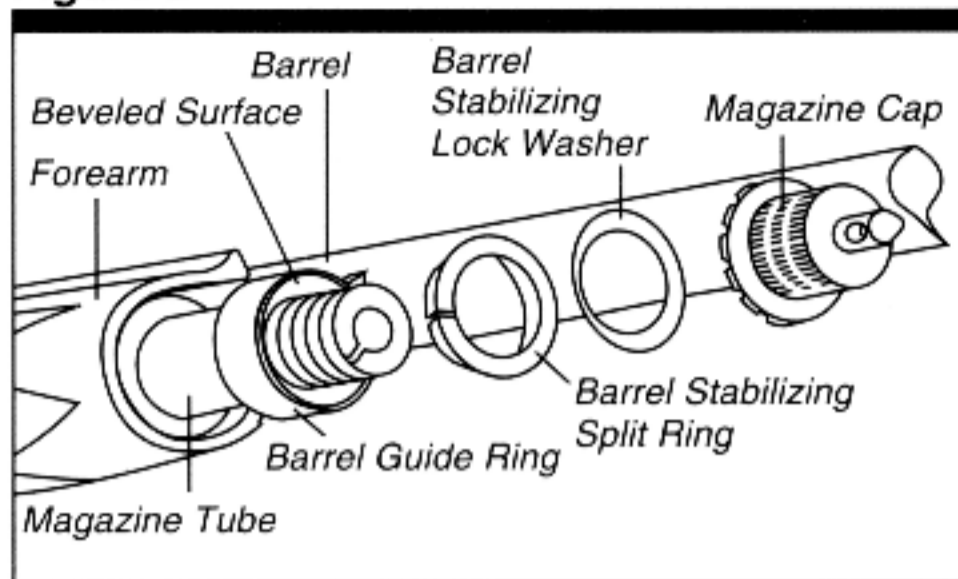
- 6 Replace the magazine cap. Assembly is completed.

Disassembly of the Barrel From the Receiver

BEFORE STARTING DISASSEMBLY PROCEDURES, VISUALLY INSPECT THE CHAMBER, FEED MECHANISM AND MAGAZINE TO BE ABSOLUTELY CERTAIN THE SHOTGUN IS COMPLETELY UNLOADED AND THE SAFETY IS IN THE "ON SAFE" POSITION. POINT THE BARREL IN A SAFE DIRECTION.

- 1 Place the slide in its forward position. Unscrew the magazine cap and remove it.

Figure 6



- 2 Holding the receiver in one hand, and the barrel in the other, ease the barrel forward off the magazine tube and out of the receiver. *With Game Guns it is necessary to first remove the barrel stabilizing lock washer and split ring before removing the barrel.*
- 3 No further disassembly for normal maintenance is suggested.

Three Shot Adapter/ Magazine Capacity

The BPS pump shotgun is delivered with the magazine three shot adapter (plug) installed in the magazine, limiting magazine capacity to two shells in compliance with federal migratory bird regulations. If you do not wish to be limited to three shots — when it is not required by law — you can remove (or reinstall) the three shot adapter (plug) as follows:

ALWAYS WEAR PROTECTIVE SAFETY GLASSES DURING THIS OPERATION.

1. First, make certain the gun is totally unloaded and the "safety" is "on safe."

CHECK THE MAGAZINE, FEED MECHANISM AND CHAMBER TO BE SURE THEY DO NOT CONTAIN ANY SHELLS.

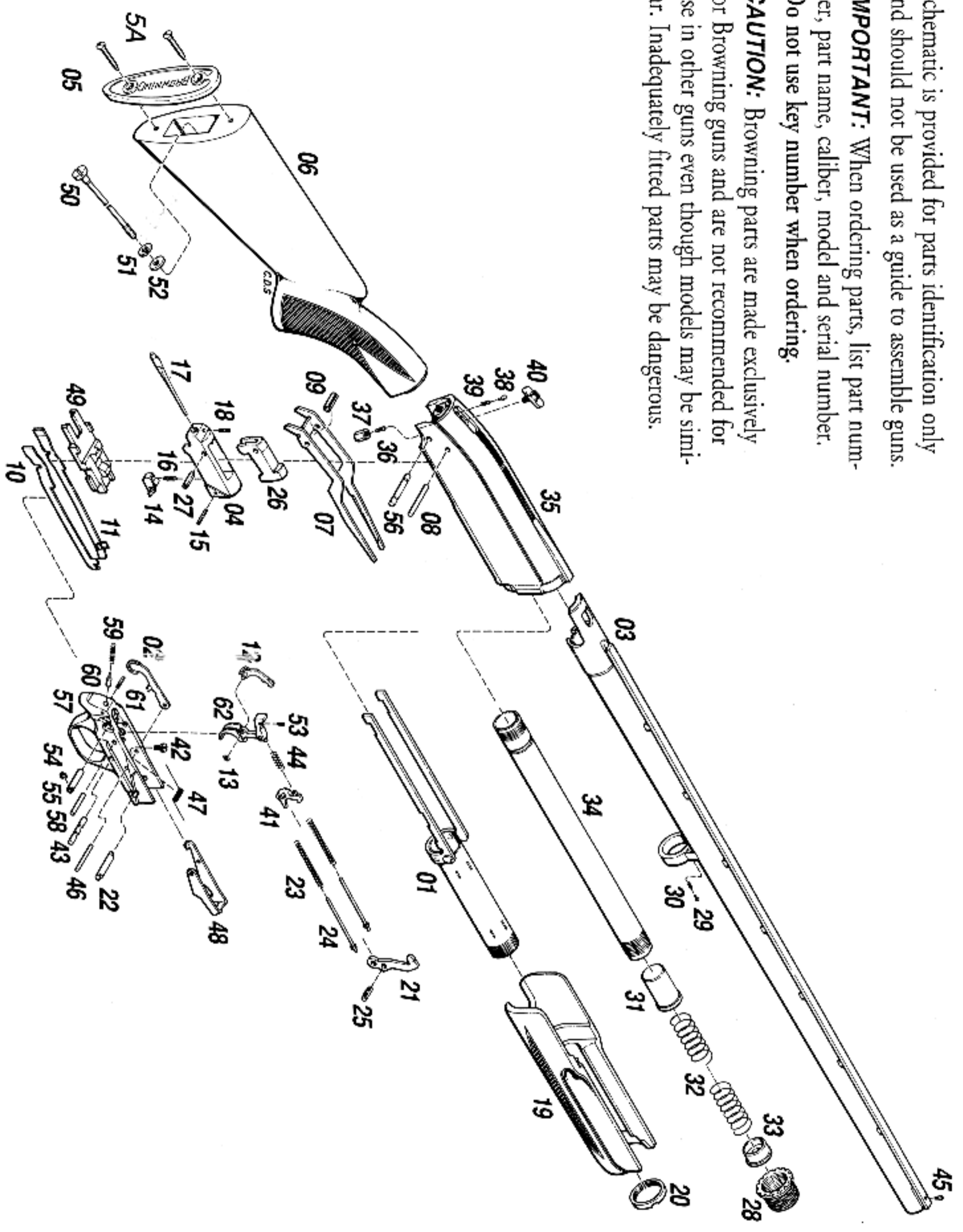
(CONTINUED ON PAGE 14.)

BROWNING BPS PUMP ACTION SHOTGUN

Schematic is provided for parts identification only and should not be used as a guide to assemble guns.

IMPORTANT: When ordering parts, list part number, part name, caliber, model and serial number. Do not use key number when ordering.

CAUTION: Browning parts are made exclusively for Browning guns and are not recommended for use in other guns even though models may be similar. Inadequately fitted parts may be dangerous.

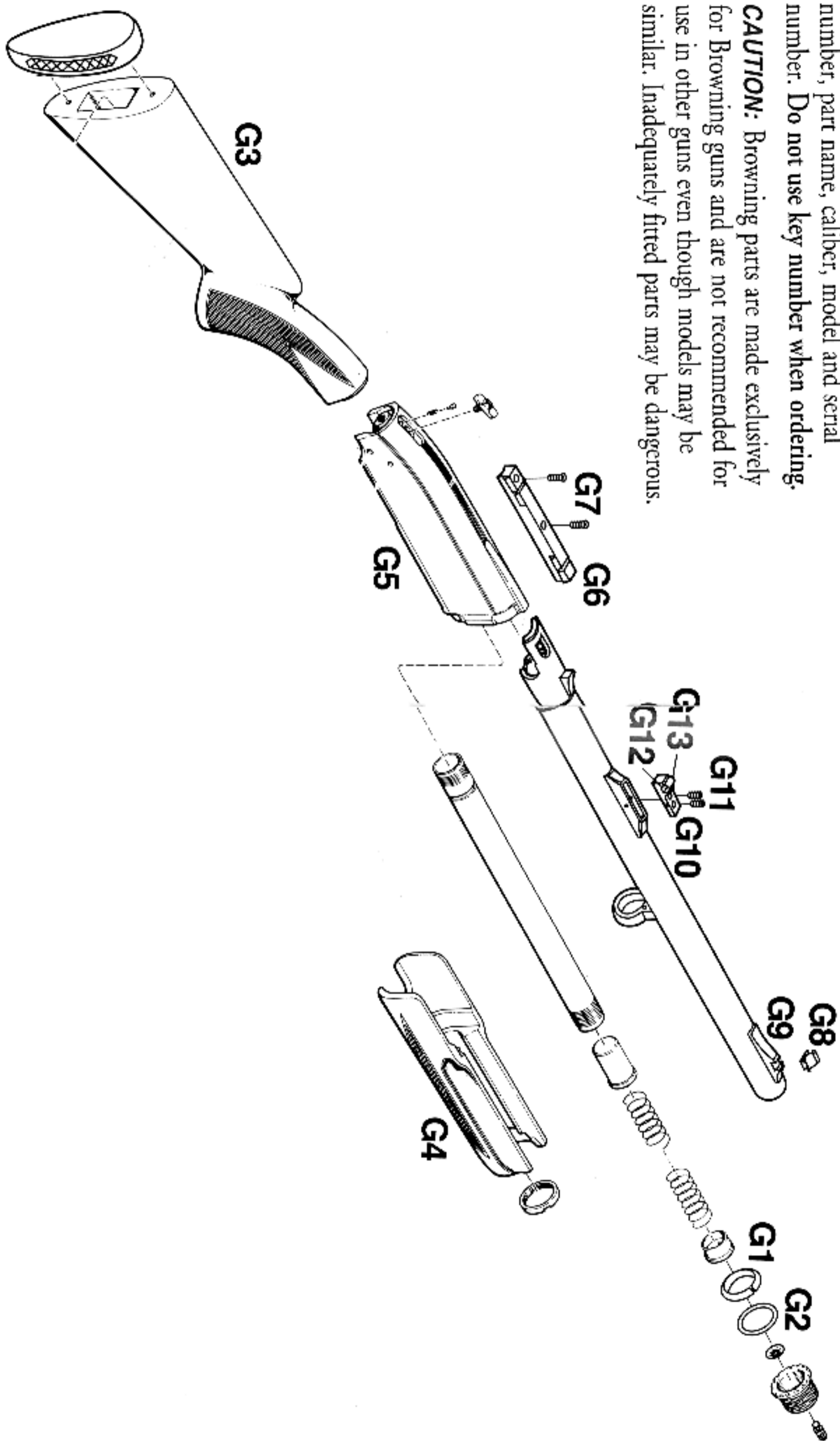


PARTS UNIQUE TO BPS GAME GUN

Schematic is provided for identification of the parts unique to the BPS Game Gun. It should not be used as a guide to assemble guns.

IMPORTANT: When ordering parts, list part number, part name, caliber, model and serial number. **Do not use key number when ordering.**

CAUTION: Browning parts are made exclusively for Browning guns and are not recommended for use in other guns even though models may be similar. Inadequately fitted parts may be dangerous.



Parts List: Browning BPS Pump Action Shotgun

This parts list refers to 28, 20, and 12 gauge Hunting models and 12 gauge Game Guns only. When ordering parts for other Browning BPS shotgun models please indicate the model name, serial number, stock style, exterior finish, and whether it is an older style/discontinued model.

Do not order parts using key numbers.

KEY NO.	PART NO.			DESCRIPTION	KEY NO.	PART NO.			DESCRIPTION
	12 GAUGE	20 GAUGE	28 GAUGE			12 GAUGE	20 GAUGE	28 GAUGE	
01	PO21004	PO21005		Action Bar Assembly	31	PO21102	PO21103	PO21703	Magazine Follower
02	PO21012	PO21013		Action Slide Lock Release	32	PO21105	PO21106		Magazine Spring
03	*PO21014	*PO21011		Barrel Extension	33	PO21107	PO21108		Magazine Spring Retainer
04	*PO21019	*PO21018	PO21718	Bolt		PO21094			Magazine 3 Shot Adapter
05		PO21024		Butt Plate (20 ga. only)	34	*PO21111	*PO21112	PO21712	Magazine Tube
5A	PO21025			Butt Plate Screw	35	†PO21115	†PO21117	PO21717	Receiver
06	PO21020	PO21022		Butt Stock (Field)	35	†PO21119			Receiver Stalker
06	*PO21027			Butt Stock (Trap)	35	†PO21109			Receiver Pigeon Grade
06	*PO21336			Butt Stock Composite	36	*PO21125	*PO21125		Safety Adjusting Screw Type II
06	*PO21021	PO21023		Butt Stock Straight Grip-Upland	37	*PO21128	*PO21128		Safety Nut Type II
06	*PO21026			Butt Stock Ladies/Youth Model	38	PO21130	PO21130		Safety Plunger
06	*PO21038			Butt Stock Pigeon Grade	39	PO21132	PO21132		Safety Spring
07	*PO21030	*PO21031	PO21731	Carrier	40	*PO21122	*PO21122		Safety Type II
08	PO21032	PO21033		Carrier Pin	41	*PO21134	*PO21134		Sear
09	PO21034	PO21035		Carrier Pin Retainer	42	*PO21137			Sear Adjusting Screw
10	PO21044	PO21037	PO21737	Cartridge Stop (R)	43	PO21139	PO21140		Sear Pin
11	PO21045	PO21040	PO21740	Cartridge Stop (L)	44	PO21142	PO21142		Sear Spring
12	*PO21042	*PO21042		Disconnecter Assembly	45	PO11431	PO11431		Sight Bead (Front)
13	*PO21043	*PO21043		Disconnecter Assembly Retainer	46	PO21158	PO21159		Slide Lock Pin
14	PO21046			Extractor Type Type I	47	PO21160	PO21161		Slide Lock Spring
14	PO21047	PO21047		Extractor Type II	48	PO21163	PO21164		Slide Lock Stop
15	PO21048	PO21048	PO21748	Extractor Pin	49	*PO21154	*PO21156	PO21756	Slide
16	PO21050	PO21050	PO21750	Extractor Spring	50	PO21165	PO21165		Stock Bolt
17	PO21055	PO21055	PO21755	Firing Pin	51	PO21167	PO21167		Stock Bolt Lock Washer
18	PO21057	PO21057		Firing Pin Retaining Pin	52	PO21169	PO21169		Stock Bolt Washer
19	PO21062	PO21066		Forearm		PO21339			Stock Screw Spacer Composite
19	*PO21368			Forearm Composite		PO21186			Trigger Pull Screw
19	*PO21064	*PO21065		Forearm-Upland	53	PO21174	PO21174		Trigger Adjusting Screw
19	*PO21072			Forearm Pigeon Grade	54	PO21176	PO21177		Trigger Guard Bushing
20	PO21073	PO21073		Forearm Mounting Screw	55	PO21179	PO21179		Trigger Guard Bushing Spring
		PO21372		Forearm Spacer Composite	56	PO21181	PO21182		Trigger Guard Pin
21	*PO21076	*PO21077		Hammer	57	*PO21198			Trigger Guard Stalker Model
22	PO21078	PO21079		Hammer Pin	57	*PO21197	*PO21194	PO21794	Trigger Guard
23	PO21080	PO21080		Hammer Spring	58	PO21184	PO21185		Trigger Pin
24	PO21082	PO21082		Hammer Spring Guide	59	PO21189	PO21189		Trigger Spring
25	PO21086	PO21087		Hammer Spring Pin	60	PO21191	PO21191		Trigger Spring Follower
26		PO21091	PO21791	Lock	61	PO21193	PO21193		Trigger Spring Pin
26	*PO21089			Lock New Type	62	*PO21170			Trigger Stalker Model
27	PO21092	PO21093	PO21793	Lock Pin	62	*PO21175	*PO21178		Trigger Gold Plated New Type
28	PO11285	PO11287		Magazine Cap					
28	PO11292	PO11294		Magazine Cap W/Eyelet					
29	PO21097			Magazine Cap Stopper					
30	PO21099	PO21099		Magazine Cap Stopper Spring					

*Indicates part must be fitted by our shop or a qualified gunsmith.

†Part may be purchased only by holders of current valid Federal Firearms License.

Parts Unique to the BPS Game Gun & Buck Special

KEY NO.	PART NO.	DESCRIPTION
G1	PO21007	Barrel Stabilizing Split Ring
G2	PO21006	Barrel Stabilizing Lock Washer
G3	*PO21039	Butt Stock Deer Special
G3	*PO21041	Butt Stock Turkey Special
G4	*PO21069	Forearm Deer Special
G4	*PO21070	Forearm Turkey Special
G5	†PO21121	Receiver Deer Special
G5	†PO21123	Receiver Turkey Special
G6	P178021	Scope Base Deer Special (Blued)
G6	P178022	Scope Base Turkey Special (Matte)
G7	PO21133	Scope Base Filler Screws
G8	PO21151	Sight Bead (Front) Deer & Turkey Special
G9	PO21150	Sight (Front) Deer & Turkey Special
G10	PO21152	Sight Aperature Rear, Game Guns & Buck Special
G11	PO11403	Sight Adjusting Screw-Elevation, Game Guns & Buck Special
G12	PO11401	Sight Adjusting Screw-Windage, Game Guns & Buck Special
G13	PO11399	Sight Body, Game Guns & Buck Special

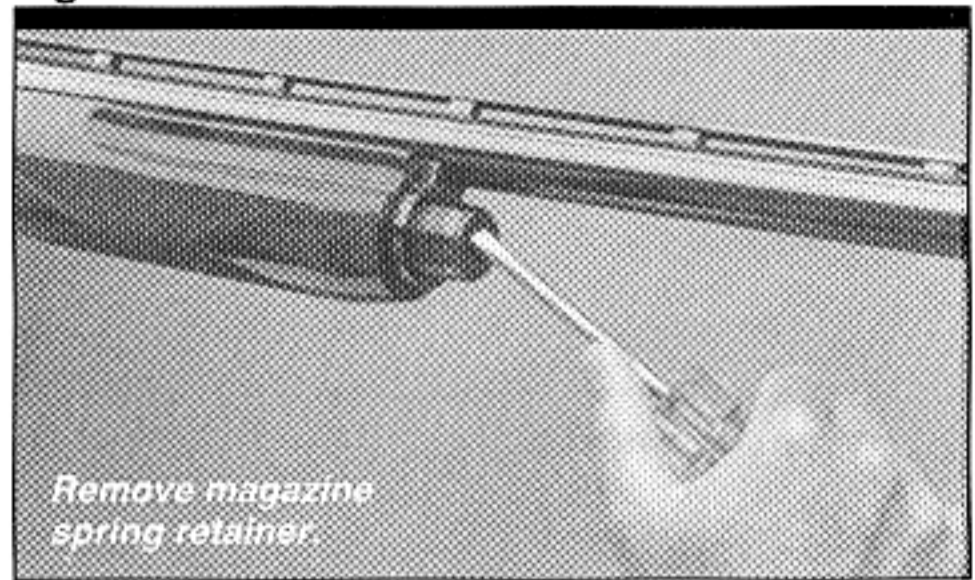
*Indicates part must be fitted by our shop or a qualified gunsmith.

†Part may be purchased only by holders of current valid Federal Firearms License.

Three Shot Adapter/ Magazine Capacity (continued)

- 2 Unscrew the magazine cap and remove it.
- 3 The magazine three-shot adapter lays underneath the magazine spring retainer located in the forward end of the magazine tube. Pry the magazine spring retainer out of the magazine tube (See Figure 7). Slowly remove the magazine spring retainer as it is under pressure of the magazine spring. Remove the magazine adapter.
- 4 Depress the magazine spring back into the magazine tube and replace the magazine spring retainer. Reinstall the magazine cap. With the magazine adapter removed, the BPS pump shotgun has a total

Figure 7

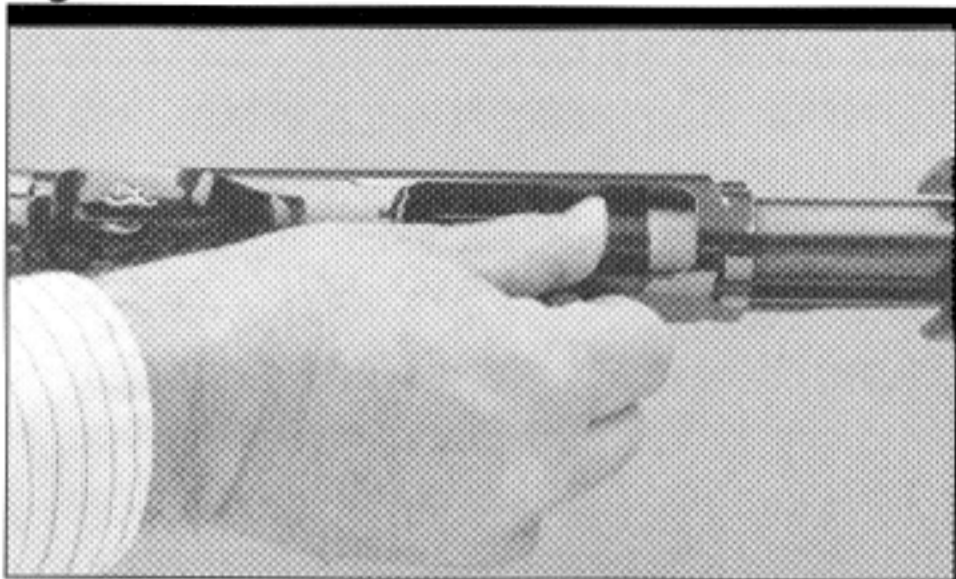


capacity of five 2¾" loads (four in the magazine and one in the chamber), and a total capacity of four 3" magnum shells (three in the magazine and one in the chamber). Magazine capacity with three shot adapter installed is two 2¾" or 3-inch magnums.

REMEMBER: 3" MAGNUM SHELLS CAN ONLY BE USED IF THE RIGHT SIDE OF

THE BARREL ON THE 12 AND 20 GAUGE IS STAMPED "2¾" AND "3" FIELD MODEL." IF THE BARREL IS NOT STAMPED 3", DO NOT USE 3-INCH SHELLS. DOING SO CAN RESULT IN A BUILD-UP OF DANGEROUSLY HIGH PRESSURES THAT MAY DAMAGE YOUR GUN AND POSSIBLY CAUSE SERIOUS INJURY TO YOURSELF OR OTHERS.

If, at some future time, you wish to limit your gun to three shots again, unscrew the magazine cap and remove the magazine spring retainer. Insert the three-shot adapter. Lightly press the base of the three-shot adapter to force the magazine spring rearward until the base of the three-shot adapter is level with the end of the magazine tube. Replace the magazine spring retainer and magazine cap.

Figure 8

Loading Procedures

AT ALL TIMES DURING THE LOADING PROCEDURE, BE SURE YOUR MUZZLE IS POINTING IN A SAFE DIRECTION AND THE SAFETY IS IN THE "ON SAFE" POSITION.

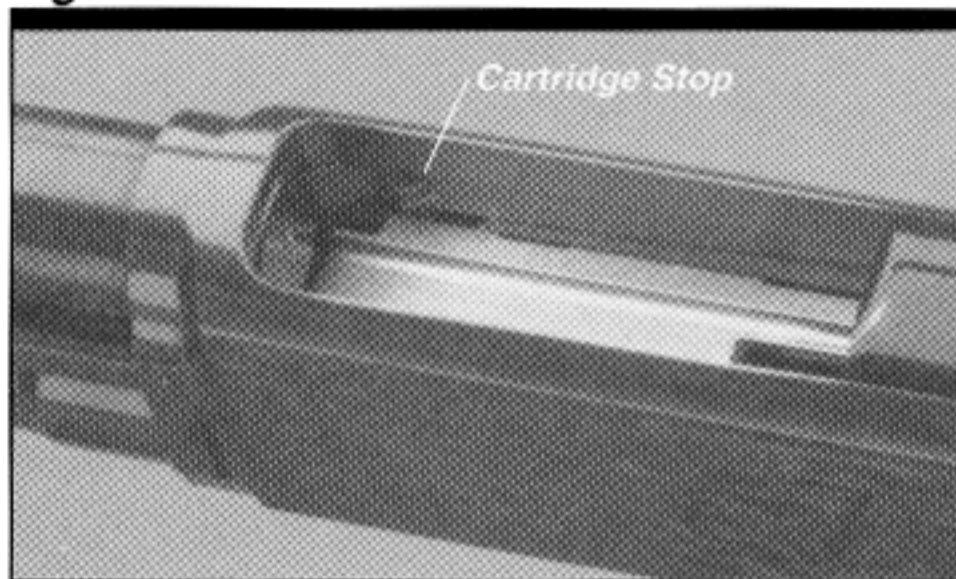
With the slide fully forward, press a shell nose first through the bottom ejection port into the rear of the magazine tube against the magazine spring follower until the rim of the shell

slips in front of the cartridge stop (See Figure 8). Load additional shells in the same manner until the magazine is full. To load a shell from the magazine to the chamber, depress the slide release and cycle the slide. Another shell can then be loaded into the magazine. Test locking of the breechblock by attempting to retract the slide. The slide should not retract.

Firing Your BPS

With the chamber loaded, all that is necessary to fire the gun is to push the thumb safety forward to the "fire" position (red warning dot exposed) and pull the trigger.

The action of the hammer falling unlocks the slide. Consequently, after firing the gun, it is not necessary to depress the slide release in order to draw the slide rearward. Simply draw the slide rearward to extract and eject the spent case; push it forward to feed a live round from the chamber.

Figure 9

AFTER SHOOTING, IMMEDIATELY PLACE THE "SAFETY" IN THE "ON SAFE" POSITION.

Unloading Procedures

AT ALL TIMES DURING UNLOADING PROCEDURES, BE SURE YOUR MUZZLE IS POINTING IN A SAFE DIRECTION AND THE SAFETY IS IN THE "ON SAFE" POSITION.

With the safety "on safe" invert the gun (ejection port up). The slide (forearm) should be in the forward position.

Reach down inside the ejection/loading port and depress the projection on the cartridge stop. The cartridge stop is located on the right side of the receiver cavity when the gun is inverted (See Figure 9). Pressing the cartridge stop releases a single shell from the magazine each time it is pressed. Remove all the shells in the magazine.

Depress the slide release and retract the slide. The loaded round in the chamber will be extracted and ejected as you pull the slide fully rearward. Visually check the chamber, feed mechanism and magazine to be certain that the gun is completely empty.

Browning Invector & Invector Plus Choke Systems

Pre 1983 BPS models and current 12 ga. BPS Buck Specials are conventionally choked. Most current BPS shotguns have barrels that are threaded to accept the Browning Invector Interchangeable Choke Tube System. You may confirm this by glancing on the right side of your barrel where the specifications are inscribed. The degree of choke is indicated on the side of the tube, and with a "notch" code on the top rim of the tube.

STANDARD INVECTOR

Pre 1993 BPS models, excluding the 12 ga. 3 1/2" magnum, are threaded to accept Standard Invector choke tubes. The 28 gauge BPS is Standard Invector.

Invector Choke Tubes are made with tempered steel and are fully compatible with all **FACTORY AMMUNITION** (loaded in

compliance with SAAMI specifications) including Magnum lead and steel shot loads and rifled slug loads.

INVECTOR-PLUS

All current BPS 12 and 20 gauge shotguns, except the Buck Special and Game Gun, have back-bored barrels and are threaded to accept Invector-Plus choke tubes only. They are not interchangeable with standard 12 gauge Invector choke tubes. A special "Plus" choke tube wrench is provided to remove and tighten these tubes.

DO NOT FIRE THIS SHOTGUN WITHOUT HAVING AN INVECTOR CHOKE TUBE INSTALLED.

Permanent damage may result to the threads.

DO NOT USE BROWNING INVECTOR CHOKE TUBES IN ANY SHOTGUN BARRELS NOT SUPPLIED BY BROWNING. ALSO, DO NOT USE ANY OTHER CHOKING

DEVICE IN ANY SHOTGUN BARRELS SUPPLIED BY BROWNING. USE ONLY CHOKE TUBES MARKED INVECTOR.

CAUTION: WHENEVER HANDLING ANY SHOTGUN FOR THE PURPOSE OF REMOVING OR INSTALLING A CHOKING DEVICE, MAKE ABSOLUTELY CERTAIN THE GUN IS FULLY UNLOADED, AND THE BOLT OR BREECH IS OPEN! NEVER ATTEMPT TO REMOVE OR INSTALL A SHOTGUN CHOKING DEVICE ON A LOADED FIREARM!

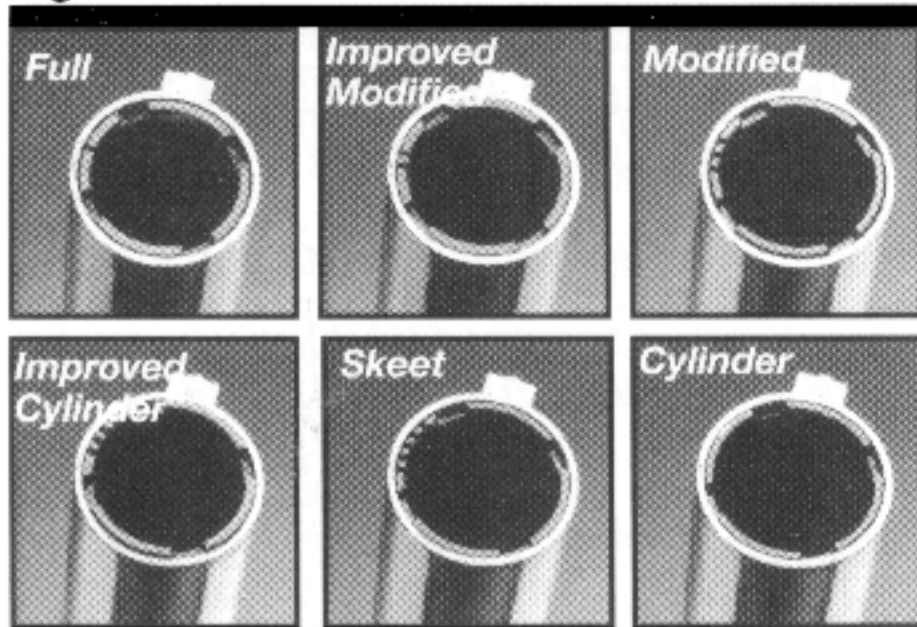
TUBE REMOVAL—

- 1 **UNLOAD YOUR BPS FULLY. INSPECT THE CHAMBER, FEED MECHANISM AND MAGAZINE TO MAKE SURE THEY DO NOT CONTAIN ANY SHELLS.**
- 2 Open the action, locking it rearward, and place the "safety" in the "on safe" position.
- 3 Use the Invector wrench to loosen the tube, turning it counterclockwise. Finger twist the tube the rest of the way out of the barrel.

TUBE INSTALLATION—

- 1 **UNLOAD YOUR BPS FULLY. INSPECT THE CHAMBER, FEED MECHANISM AND MAGAZINE TO MAKE SURE THEY DO NOT CONTAIN ANY SHELLS.**
- 2 Open the action and place the "safety" in the "on safe" position.
- 3 Before installing a tube, check the internal choke tube threads in the muzzle, as well as the threads on the Invector choke tube to be sure they are clean. Lightly oil the threads with an oil like Browning Oil.
- 4 Using your fingers, screw the appropriate tube into the muzzle end of the barrel, tapered end first, notched end outward.

Figure 10



When it becomes finger-tight, use the Invector choke tube wrench to firmly seat the tube.

THE INVECTOR CHOKE TUBE SHOULD BE PERIODICALLY CHECKED TO ASSURE THAT IT IS TIGHT AND FIRMLY SEATED. BEFORE CHECKING, FOLLOW THE SAFETY GUIDELINES OUTLINED ABOVE.

ON GAME GUN MODELS, THE RIFLED CHOKE TUBE TIGHTENS WITH USE. THE RIFLED CHOKE TUBE SHOULD BE REMOVED AND CLEANED AFTER FIRING EVERY 15-20 SHOTS TO AVOID EXCESS TIGHTENING AND TUBE REMOVAL PROBLEMS.

Replacement and additional tubes and wrenches are available from your Browning dealer, or by writing to:

Browning Consumer Department,
One Browning Place
Morgan, Utah 84050.
(801) 876-2711.

Canadian customers please call or write:

Browning Canada Sports Ltd./Ltee,
5617 Chemin St-Francois,
St-Laurent, Quebec, Canada H4S 1W6.
(514) 333-7261.

INVECTOR CHOKE TUBE CODE

To identify individual Invector tubes, refer to the abbreviated indications on the side of the tube, or use the identification mark(s) located on the top rim of each tube. (See Figure 10).

INVECTOR TUBE SELECTION

To help you choose the correct choke tube for each hunting situation, all Browning Invector choke tubes are inscribed on the side with the patterns they produce with both lead and steel shot. Each Invector tube also has notches in the top rim of the tube. These notches are a code to allow you to determine the choke designation while the tube is installed. Rim notches refer specifically to lead shot. You will need to use the chart below to cross-reference from lead to steel, and determine the appropriate tubes for your ammunition and hunting/shooting situation.

Several tubes are supplied with your Browning shotgun. The tubes listed are also available as accessories. Remember, Invector-Plus and Standard Invector tubes are not interchangeable. Invector-Plus tubes are for Browning guns with back-bored barrels and are not for use on older BPS shotguns. Before removing/installing tubes, or reading the rim notch code, make sure your shotgun is fully unloaded.

CAUTION: DO NOT USE STANDARD INVECTOR CHOKE TUBES IN BARRELS MARKED INVECTOR-PLUS. DO NOT USE INVECTOR-PLUS CHOKE TUBES IN BARRELS MARKED STANDARD INVECTOR. FAILURE TO FOLLOW THIS PRECAUTION CAN DAMAGE YOUR GUN AND CAUSE INJURY TO YOURSELF AND OTHERS.

Invector Choke Tube Selection Charts

12 Gauge Invector-Plus

Rim Notches	Pattern With Lead Shot	Pattern With Steel Shot
Knurled****	X-Full Turkey Special	**
I	Full	*
II	Imp. Modified	Full***
III	Modified	Full***
IIII	Imp. Cylinder	Modified
IIII	Skeet	Imp. Cylinder
No Notches	Cylinder	Imp. Cylinder

12 Gauge Standard Invector (BPS Game Guns)

Rim Notches	Pattern With Lead Shot	Pattern With Steel Shot
No Notches	Rifled Tube (For use with shotgun slugs only)	
No Notches	X-Full Turkey Special	**
Knurled****	X-Full Trap Special	**
I	Full	*
II	Imp. Modified	Full***
III	Modified	Full***
IIII	Imp. Cylinder	Modified
IIII	Skeet	Imp. Cylinder
No Notches	Cylinder	Imp. Cylinder

20 Gauge Invector-Plus

Rim Notches	Pattern With Lead Shot	Pattern With Steel Shot
I	Full	Full
III	Modified	Imp. Modified
IIII	Imp. Cylinder	Modified***
IIII	Skeet	Modified***
No Notches	Cylinder	Imp. Cylinder

28 Gauge Standard Invector

Rim Notches	Pattern With Lead Shot
I	Full
III	Modified
IIII	Imp. Cylinder
IIII	Skeet

*Not for use with steel shot. Using an over-tight choke constriction with steel shot will result in an ineffective, "blown" pattern.

**Extra Full Special. Do not use with steel shot.

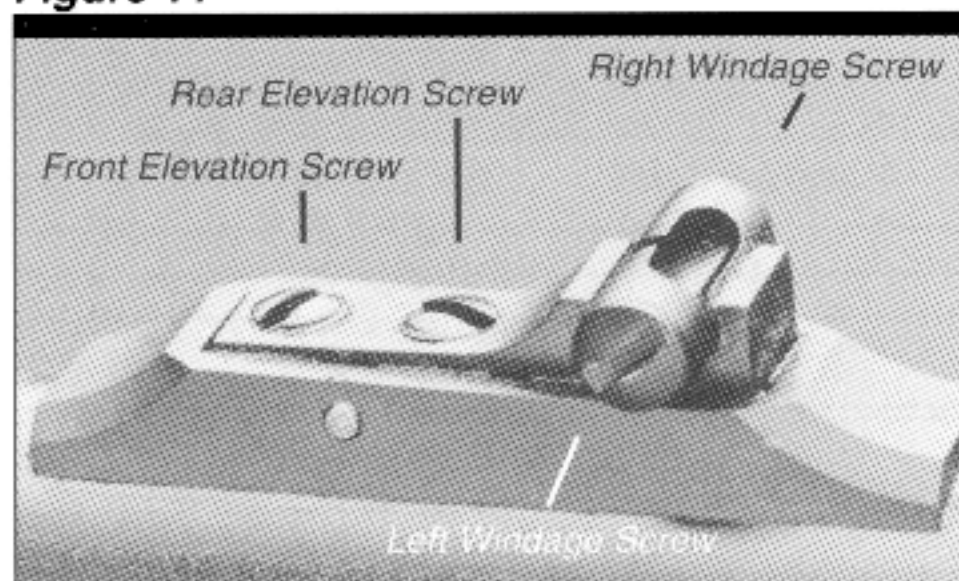
***When more than one choke designation is listed for a given steel shot pattern, use the more open choke listed for high velocity, larger size steel shot loads.

****Has knurled extension beyond muzzle.

Use of Extra Barrels

Your BPS can be made suitable for multiple shooting conditions merely by changing from one barrel to another of different length. On all Browning BPS shotguns, barrels of the same gauge and model are completely interchangeable and no special fitting is required. Back-bored barrels with Invector-Plus choke tube system are interchangeable with all older BPS barrels as well as Game Gun models.

Figure 11



Sight Adjustment for the Buck Special and Game Gun

The Buck Special and Game Gun are equipped with a precision rear sight which is screw adjustable for both horizontal and vertical correction. (See Figure 11.)

WINDAGE ADJUSTMENT—

To move point of impact to the **RIGHT**, loosen the screw on the right side of the

sight. Then tighten the screw on the left side of the sight. To move point of impact to the **LEFT** loosen the screw on the left side of the sight and tighten the screw on the right side. This is a process of trial and error. Make small adjustments then check the point of impact.

VERTICAL ADJUSTMENT—

Vertical adjustment is controlled by two screws located on top of the sight. To **RAISE** the point of impact, loosen the front screw and then tighten the rear screw. To **LOWER** the point of impact, loosen the rear screw and then tighten the front screw. Vertical adjustment is also a process of trial and error.

The "Deer Special" Game Gun is supplied with a receiver scope mount base. The "Turkey Special" is drilled and tapped for a scope base.

Figure 12



Cleaning and Maintenance Suggestions

PERIODIC OILING —

Ordinary good judgment will indicate that the metal parts of the gun should receive a light film of oil after the gun has been exposed to weather or handling.

Occasionally a small drop of light gun oil may be placed on each receiver track on which

the breechblock and action bars ride during operation (See Figure 12). This will help to relieve friction and insure smooth operation.

DO NOT POUR LARGE QUANTITIES OF OIL INTO THE ACTION. A LARGE EXCESS OF OIL WILL RUN BACK INTO THE WOOD OF THE STOCK AND CAUSE SOFTENING OF THE WOOD, WITH CONSEQUENTIAL LOOSENING OF THE STOCK.

CLEANING PROCEDURES

The correct procedure for cleaning your BPS shotgun is as follows:

- 1 **BE CERTAIN YOUR SHOTGUN'S MAGAZINE, FEED MECHANISM AND CHAMBER ARE UNLOADED. PLACE THE "SAFETY" IN THE "ON SAFE" POSITION AND LOCK THE BOLT TO THE REAR. ALWAYS WEAR PROTECTIVE SAFETY**

GLASSES DURING ALL DISASSEMBLY AND CLEANING PROCEDURES.

- 2 Remove the barrel so that it can be cleaned from the breech end.
- 3 Using a shotgun cleaning rod with tip and patch large enough for a snug fit in the bore, insert the rod and patch in the breech end of the barrel and run back and forth through the bore several times. Remove and wipe the Invector tube threads and barrel threads, and lightly oil.
- 4 Inspect the bore from both ends for leading by looking through the bore toward light. Leading will appear as dull longitudinal streaks and is usually more predominate near the muzzle and just forward of the chamber.
- 5 A normal amount of leading can be expected with today's high velocity loads
- 7 If the gun has been exposed to much dust, dirt, mud or water, the principal working parts should be wiped clean and lubricated with a light film of oil. Browning Oil is recommended.
- 8 Reassemble barrel and wipe all exposed metal surfaces with an oiled cloth making sure to wipe gun clean of all finger marks where moisture will accumulate.
- 9 The barrel and action should be inspected to assure that all cleaning patches have been removed and not inadvertently left in the barrel or action.
- 10 The wood surfaces can also be wiped with Browning Oil or they can be polished with any quality furniture wax (but not both).

and improved wads but this is not serious. If or when leading should become heavy, it can be removed with a brass bore brush. Make sure a choke tube is installed. Spray the bore or the bore brush with a good powder solvent, and scrub the bore until leading is removed. To prevent brass bristles from breaking off, the brush should be pushed completely through the bore before being withdrawn.

- 6 After leading has been removed, the bore should be wiped dry with a clean patch,

and then a lightly oiled patch run through it for preservation.

DO NOT TAKE YOUR GUN'S ACTION

APART. This is a specialized, finely fitted mechanism; and you may mar it for life by an attempt to remove the inner mechanism. It is unnecessary, and may do damage to the inner mechanism, to disassemble it for routine cleaning and oiling. Of course, misfortunes (such as dropping your gun in water) require appropriate attention, and in such circumstances we recommend you immediately take your gun to a competent gunsmith.

Service or Repair

If your firearm should require service or repairs, we suggest you first contact a local recommended Browning Firearms Service Center. Contact your Browning sporting goods dealer or call our Service Department for the address of the Service Center nearest you. Otherwise, you may send your firearm directly to our own Service Department. For technical questions about your firearm or service call our Service Department.

Browning Service Department
3005 Arnold Tenbrook Road
Arnold, Missouri 63010-9406
Phone: 1-800-322-4626

Canadian Customers call or write:

Browning Canada Sports Ltd./Ltee,
5617 Chemin St-Francois
St-Laurent, Quebec H4S 1W6
Phone: (514) 333-7261

When returning your firearm for servicing, you *must* do the following:

- a. Be sure it is completely unloaded.
- b. Package it securely in a cardboard container.
- c. Enclose a letter with your firearm that clearly describes the trouble experienced and the repairs or alterations desired.
- d. If convenient, send a copy of the letter to us separately.
- e. Never return ammunition with your firearm. It is against postal and most commerce regulations.

If you have any questions about this manual or about any other Browning products, call or write our Consumer Information Department:

Browning Consumer Information
Morgan, Utah 84050
Phone: (801) 876-2711