

NOT TO BE PUBLISHED

GUNS, MACHINE, CAL. .30, BROWNING, M1919A4

FIXED AND FLEXIBLE

ILLUSTRATED IDENTIFICATION LIST

C.O.D.  
(Technical Branch)  
WEEDON

May, 1942

## FOREWORD

For guide to easy reference, it is pointed out that the components of these weapons are arranged in Group order, numerical sequence of American Catalogue Numbers being followed in each grouping.

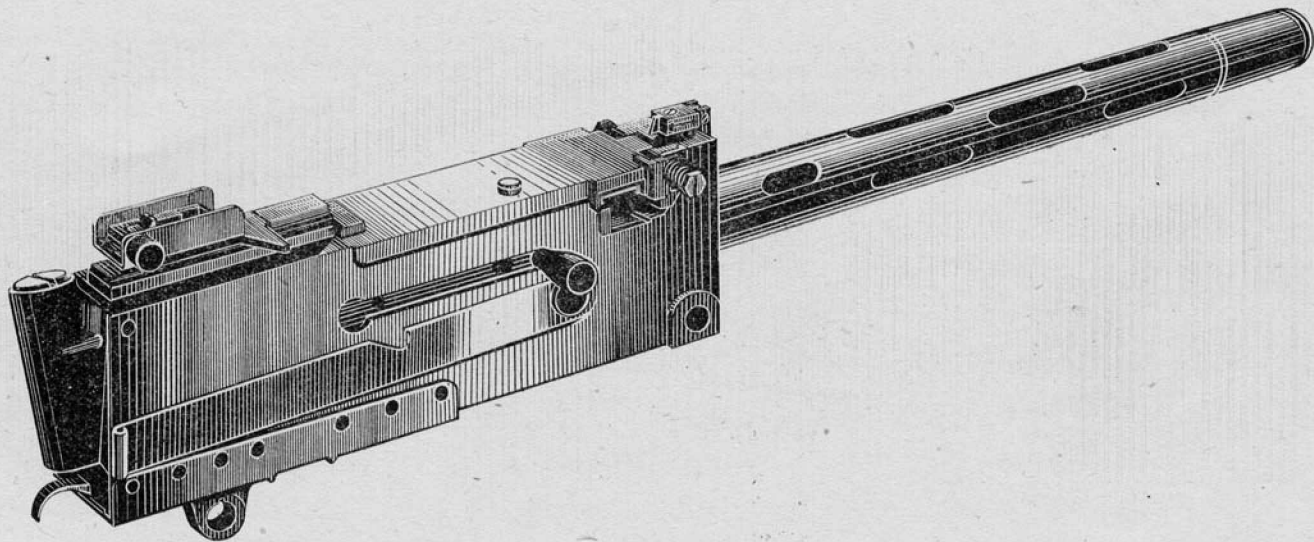
British Designation and Catalogue Numbers are merely shown to enable any necessary reconciliation with American Numbers to be made, and under no circumstances will be used.

"S.N.L. A.6" in addition to American Designations and Numbers will always be quoted on all Demands and other documents relating to these weapons.

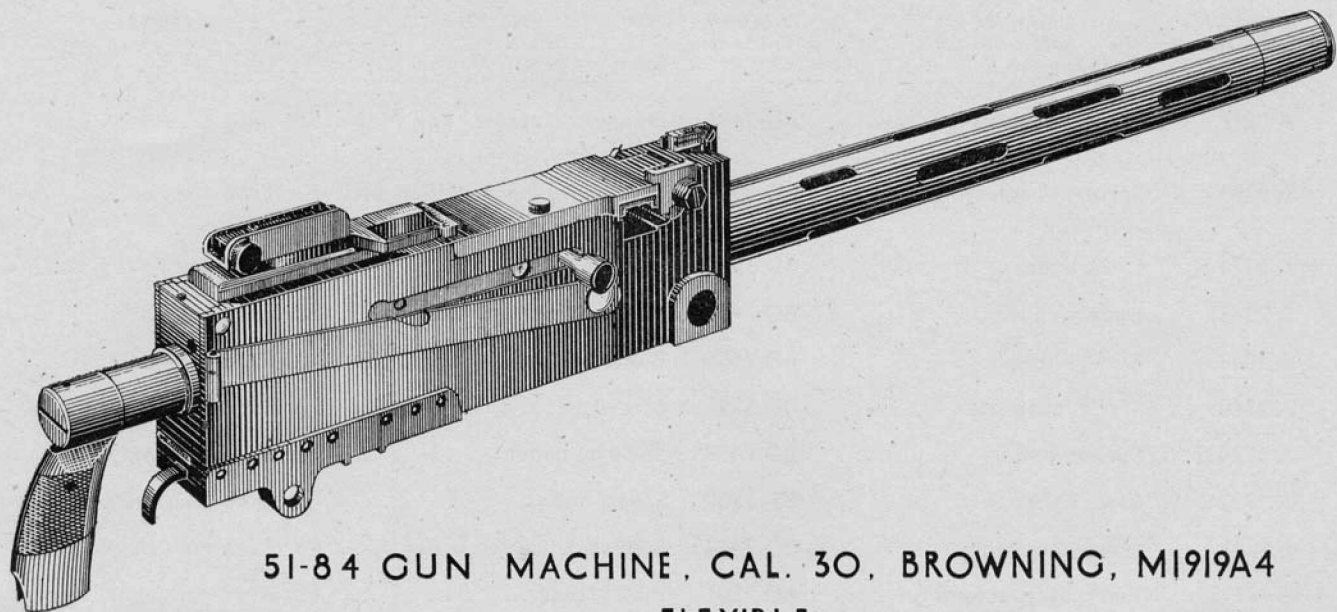
The following shows the Group and appropriate page numbers :—

Back plate group (fixed gun) ... ..	Page 5
Back plate group (flexible gun) ... ..	Page 7
Casing group ... ..	Page 9
Cover group ... ..	Page 11
Rear sight group ... ..	Page 13
Bolt group ... ..	Page 15
Barrel extension and lock frame group ... ..	Page 17
Front sight group ... ..	Page 19
Tripod mount and accessories ... ..	Pages 21, 23, 25, 27





51-83 CUN MACHINE CAL. .30, BROWNING, M1919A4  
FIXED

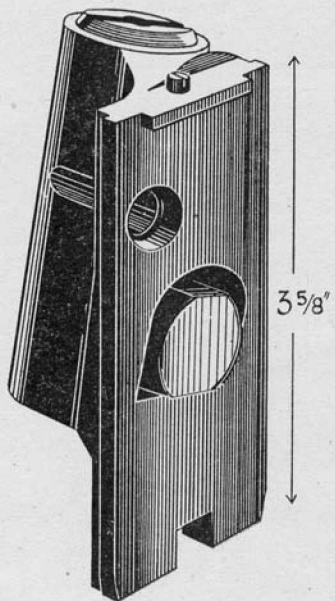


51-84 GUN MACHINE, CAL. 30, BROWNING, M1919A4  
FLEXIBLE

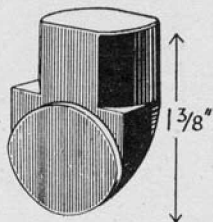


AMERICAN S.N.L. NO.	AMERICAN S.N.L. DESIGNATION.	FORMER WEEDON CAT. NO.	ENGLISH DESIGNATION.	REMARKS.
A 9278	Plunger, adjusting screw ...	BD 7497	Plungers, screw adjusting buffer.	For fixed guns only.
A 9300	Spring, adjusting screw plunger.	BD 5945	Springs, plunger, buffer ad- justing screw.	For fixed guns only.
A 9374	Disk, buffer ... ..	BD 5520	Discs, buffer... ..	For fixed and flex. guns.
A 20482	Buffer, upper ... ..	BD 7496	Buffer, upper ... ..	For fixed guns only.
A 20483	Buffer, lower ... ..	BD 7495	Buffers, lower ... ..	For fixed guns only.
A 20609	Screw, stop latch ... ..	BD 5596	Screws, stop, catch, cover...	For fixed and flex. guns.
A 172433	Spring, buffer ... ..	BD 7499	Springs, buffer ... ..	For fixed guns only..
A 173245	Stop, buffer ... ..	BD 7500	Stops, buffer ... ..	For fixed guns only.
B 9833	Screw, adjusting ... ..	BD 7498	Screws, adjusting buffer ...	For fixed guns only.
B 147159	Plate, back, assembly ...	BD 7501	Plates, back ... ..	For fixed guns only.
C 64269	Plate, back, assembly, com- plete.			For fixed guns only.

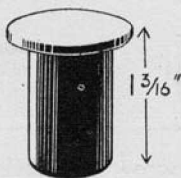
C64269



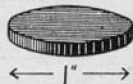
A 20483



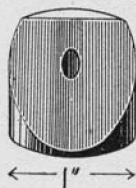
A173245



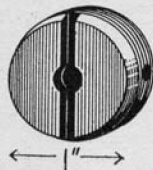
A9374



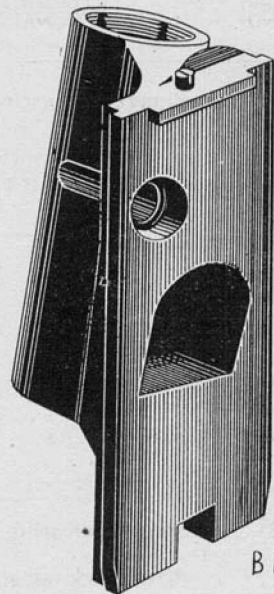
A 20482




B9833

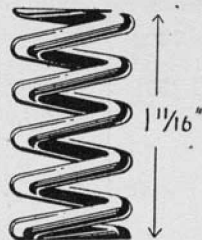


3 5/8"

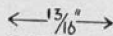


B147159

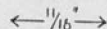
A 20609 



A 172433



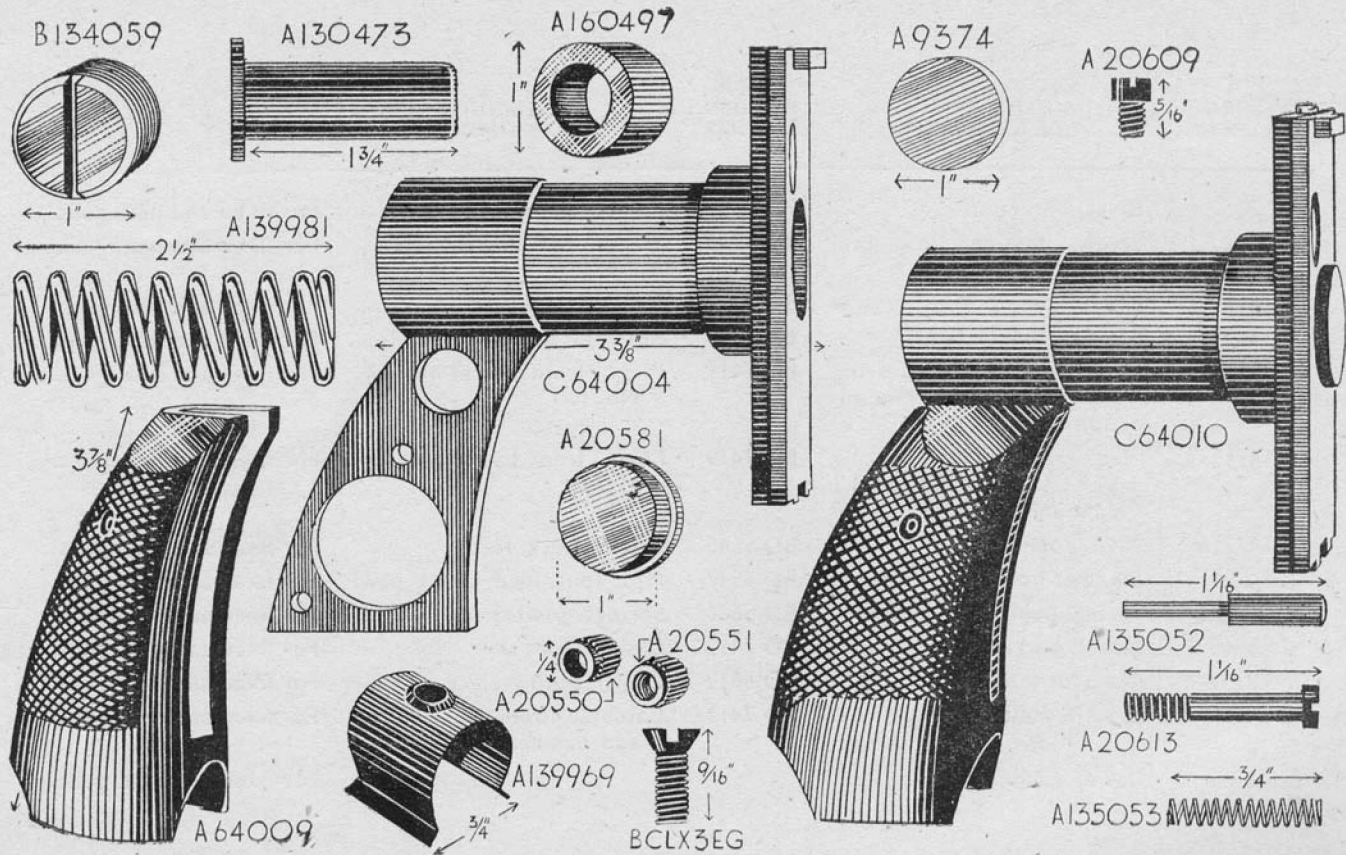
A 9278



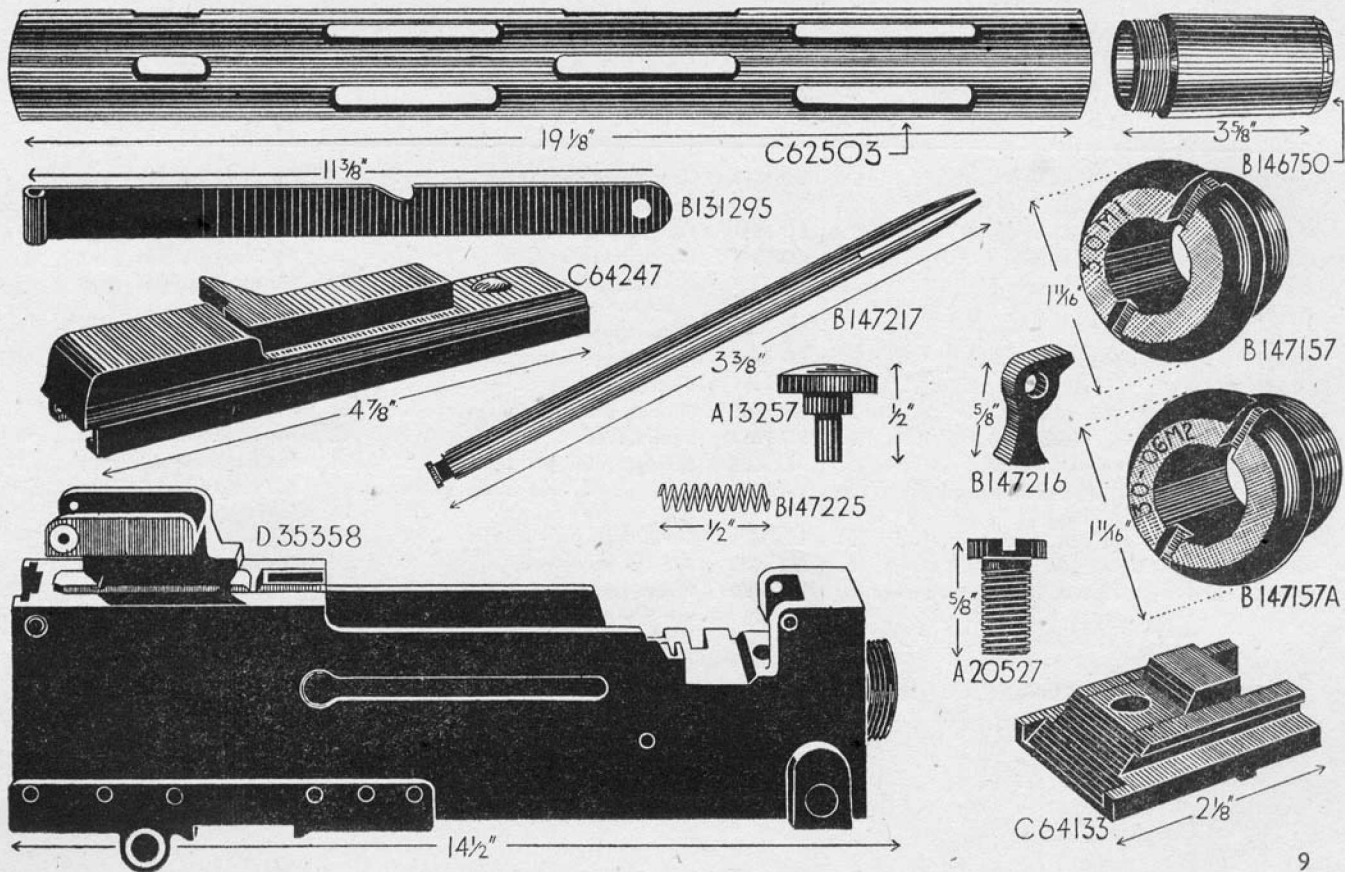
A 9300

AMERICAN S.N.L. NO.	AMERICAN S.N.L. DESIGNATION.	FORMER WEEDON CAT. NO.	ENGLISH DESIGNATION.	REMARKS.
A 9374	Disk, buffer .. .. .	BD 5520	Discs, buffer .. .. .	For fixed and flex. guns.
A 20550	Escutcheon, stock, left. . . . .	BD 5522	Cups, countersunk .. .. .	For flex. guns only.
A 20551	Escutcheon, stock, right .. .. .	BD 5523	Cups, screwed .. .. .	For flex. guns only.
A 20581	Plate, buffer .. .. .	BD 5566	Plates, buffer .. .. .	For flex. guns only.
A 20609	Screw, stop, latch .. .. .	BD 5596	Screws, stop, catch cover .. .. .	For fixed and flex. guns.
A 20613	Screw, stock .. .. .	BD 5595	Screws, stock, side .. .. .	For flex. guns only.
A 64009	Stock, assembly. . . . .	BD 7439	Stocks (aluminium w/- cups, screwed and countersunk).	For flex. guns only.
A 130473	Stop, buffer .. .. .	BD 7440	Stops, buffer .. .. .	For flex. guns only.
A 135052	Plunger, adjusting screw .. .. .	BD 5572	Plungers, screw, adjusting buffer .. .	For flex. guns only.
A 135053	Spring, adjusting screw plunger .. .	BD 5603	Springs, plunger, buffer adjusting screw	For flex. guns only.
A 139969	Spring, stock .. .. .	BD 7438	Springs, stock .. .. .	For flex. guns only.
A 139981	Spring, buffer .. .. .	BD 7433	Springs, buffer .. .. .	For flex. guns only.
A 160497	Filler, buffer .. .. .	BD 7455	Distance-pieces, buffer .. .. .	For flex. guns only.
B 134059	Screw, adjusting .. .. .	BD 5584	Screws, adjusting buffer. . . . .	For flex. guns only.
C 64004	Plate, back, assembly .. .. .	BD 7417	Plates, back (w/- pistol grip) .. .. .	For flex. guns only.
C 64010	Plate, back, w/- buffer and stock assembly.	BD 7461	Plates, back (w/- buffer and stock assembled).	For flex. guns only.
BCLX3EG	Screw, mach., fl-hd., corrosion resist- ing—steel, No. 8 (164)-36NF-3 × ½ (for stock spring).	BD 7476	Screws, spring, stock .. .. .	For fixed and flex. guns.



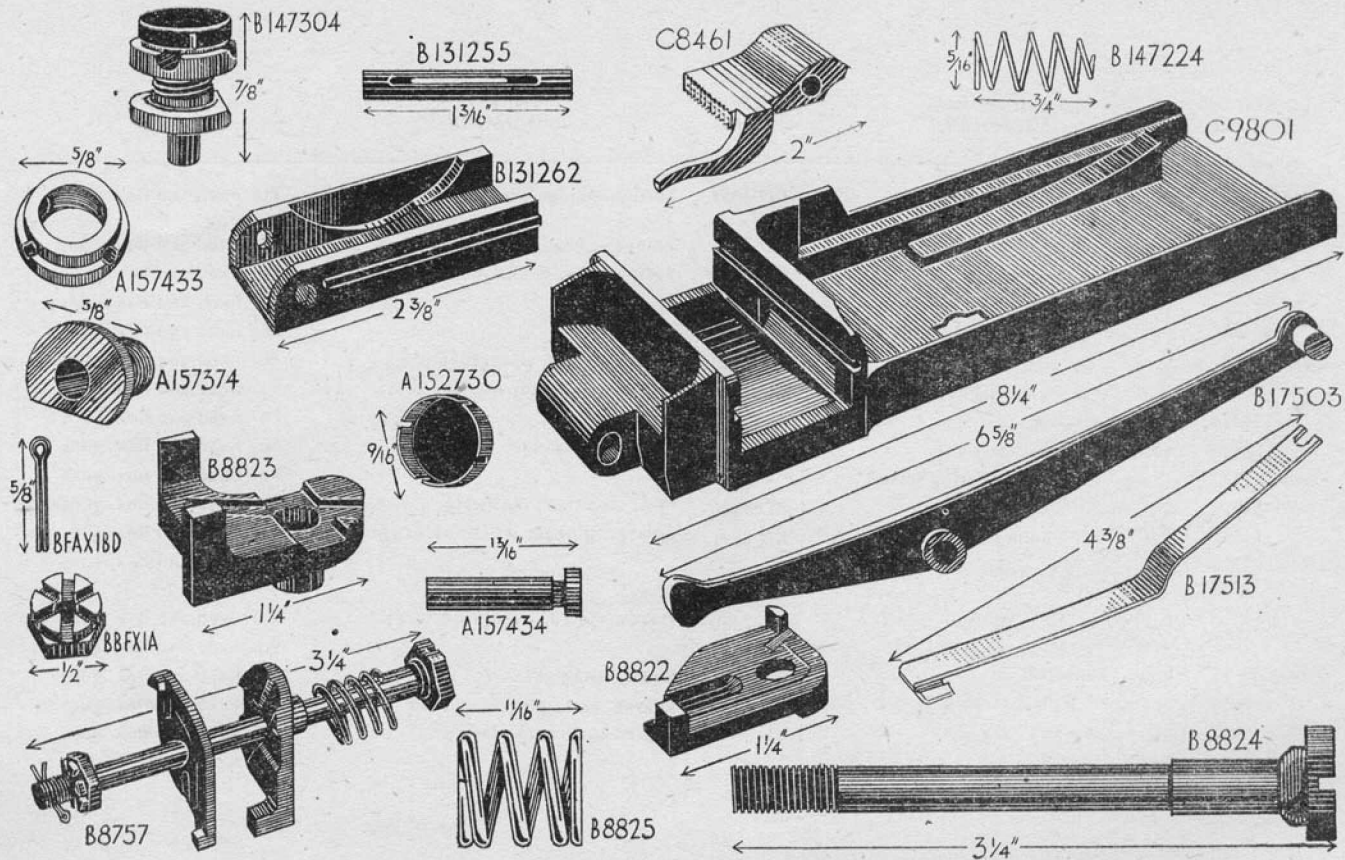


AMERICAN S.N.L. NO.	AMERICAN S.N.L. DESIGNATION.	FORMER WEEDON CAT. NO.	ENGLISH DESIGNATION.	REMARKS.
A 13257	Rivet, bolt latch ... ..	BD 7423	Rivets, plates, safety catch	For fixed and flex. guns.
A 20527	Screw, breech lock cam (thick head).	BD 6935	Screws, cam locking piece...	For fixed and flex. guns.
B 131295	Latch, bolt ... ..	BD 7414	Plates, safety catch ... ..	For fixed and flex. guns.
B 146750	Bearing, barrel, front ...	BD 7409	Bearings, barrel, front ...	For fixed and flex. guns.
B 147157	Plug, front, barrel bearing (for Cal. .30 M.1 ammunition only).	BD 7418	Plugs, front barrel bearing, No. 1.	For fixed and flex. guns.
B 147157A	Plug, front, barrel bearing (for Cal. .30 M.1906 or M.2 ammunition only).	BD 7419	Plugs, front barrel bearing, No. 2.	For fixed and flex. guns.
B 147216	Pawl, holding, belt ... ..	BD 5545	Pawls, check, feed ... ..	For fixed and flex. guns.
B 147217	Pin, belt holding pawl (split)	BD 5547	Pins, split, feed, check pawl	For fixed and flex. guns.
B 147225	Spring, belt holding pawl ...	BD 5606	Springs, pawl check feed ...	For fixed and flex. guns.
C 62503	Jacket, barrel ... ..	BD 7412	Casings, barrel ... ..	For fixed and flex. guns.
C 64133	Cam, lock, breech ... ..	BD 5512	Cams, locking-piece ...	For fixed and flex. guns.
C 64247	Latch assembly ... ..	BD 7413	Catches, cover (w/- spring and handle assembled).	For fixed and flex. guns.
D 35358	Casing, assembly ... ..			For fixed and flex. guns.



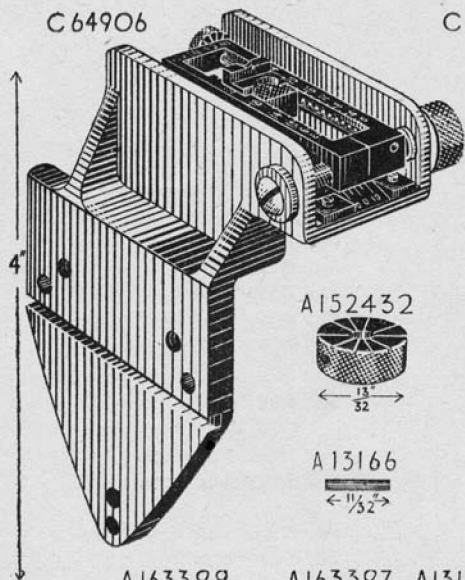


AMERICAN S.N.L. NO.	AMERICAN S.N.L. DESIGNATION.	FORMER WEEDON CAT. NO.	ENGLISH DESIGNATION.	REMARKS.
A 152730	Cap, belt feed lever pivot .. ..	BD 5513	Caps, pivot, feed lever .. ..	For fixed and flex. guns.
A 157374	Bushing, belt feed lever pivot .. ..	BD 5510	Bushes, pivot, feed lever .. ..	For fixed and flex. guns.
A 157433	Nut, belt feed lever pivot housing .. ..	BD 5541	Nuts, bush, feed lever pivot .. ..	For fixed and flex. guns.
A 157434	Pivot, belt feed lever .. ..	BD 5561	Pivots, lever feed, Mk. II .. ..	For fixed and flex. guns.
B 8757	Catch, cover, assembly .. ..	BD 7454	Plates, stop, cover, w/- bolt, nut, spring pin and plates.	For fixed and flex. guns.
B 8822	Plate, fixed .. ..	BD 7463	Plates, stop cover, fixed .. ..	For fixed and flex. guns.
B 8823	Plate, movable .. ..	BD 7464	Plates, stop, cover, movable .. ..	For fixed and flex. guns.
B 8824	Bolt, cover .. ..	BD 7451	Bolts, axis, cover .. ..	For fixed and flex. guns.
B 8825	Spring, cover catch .. ..	BD 7480	Springs, plates, stop, cover .. ..	For fixed and flex. guns.
B 17503	Lever, feed belt. .. ..	BD 7457	Levers, feed .. ..	For fixed and flex. guns.
B 17513	Spring, cover, extractor .. ..	BD 5608	Springs, guide, transporter .. ..	For fixed and flex. guns.
B 131255	Pin, belt, feed pawl, assembly .. ..	BD 5546	Pins, pawl, feed slide (with spring assembled).	For fixed and flex. guns.
B 131262	Slide, feed belt, assembly .. ..	BD 5602	Slides, feed (w/- stud) .. ..	For fixed and flex. guns.
B 147224	Spring, belt feed pawl, .032 wire .. ..	BD 6940	Springs, pawl, feed .. ..	For fixed and flex. guns.
B 147304	Pivot, belt feed lever, group assembly .. ..	BD 5560	Pivots, lever, feed, Mk. I (w/- bush, nut and cap assembled).	For fixed and flex. guns.
C 8461	Pawl, feed belt (serrated) .. ..	BD 5544	Pawls, slide, feed .. ..	For fixed and flex. guns.
C 9801	Cover, assembly .. ..	BD 7411	Covers, assembled .. ..	For fixed and flex. guns.
BBFXIA	Nut, ctl., $\frac{1}{4}$ -28NF-2 (for cover catch)	BD 7458	Nuts, bolt, axis cover .. ..	For fixed and flex. guns.
BFAXIBD	Pin, cotter, split, S. (type B) $\frac{1}{16} \times \frac{3}{8}$ (for belt feed lever pivot (I) ; cover catch (I) ).	BD 7459	Pins, split, bolt axis cover .. ..	For fixed and flex. guns.

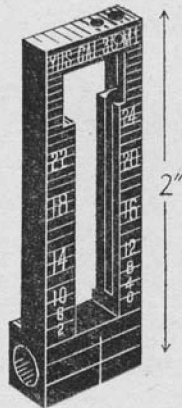
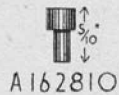
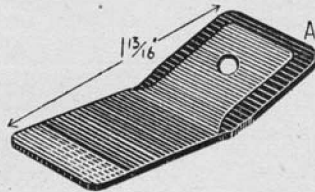
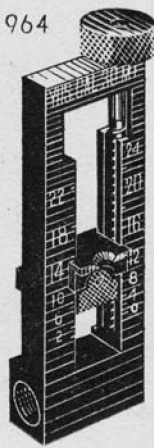


AMERICAN S.N.L. NO.	AMERICAN S.N.L. DESIGNATION.	FORMER WEEDON CAT. NO.	ENGLISH DESIGNATION.	REMARKS.
A 13154	Spring, rear sight windage click plunger.	BD 7437	Springs, plunger, head, windgauge screw	For fixed and flex. guns.
A 13155	Plunger, rear sight windage click ..	BD 7421	Plungers, head, windgauge screw ..	For fixed and flex. guns.
A 13157	Spring, rear sight base. . . . .	BD 6943	Springs, bed, backsight . . . . .	For fixed and flex. guns.
A 13162	Pin, retainer, rear sight elevating screw			For fixed and flex. guns.
A 13166	Pin, rear sight elevating knob. . . . .			For fixed and flex. guns.
A 13167	Screw, rear sight windage scale ..	BD 7429	Screws, fixing, windgauge plate ..	For fixed and flex. guns.
A 13700	Pin, rear sight windage knob . . . . .	BD 7416	Pins, fixing, head, windage screw ..	For fixed and flex. guns.
A 152429	Screw, windage, rear sight .. .. .			For fixed and flex. guns.
A 152430	Scale, windage, rear sight .. .. .	BD 7424	Plates, windgauge .. .. .	For fixed and flex. guns.
A 152432	Knob, rear sight elevating screw ..			For fixed and flex. guns.
A 162810	Pin, stop, rear sight leaf .. .. .	BD 5946	Pins, stop, leaf, backsight .. .. .	For fixed and flex. guns.
A 163397	Spring, click plunger .. . . . .	BD 6941	Springs, plunger, click, backsight leaf. .	For fixed and flex. guns.
A 163398	Plunger, rear sight elevating screw knob click.			For fixed and flex. guns.
B 8809	Knob, rear sight windage screw ..	BD 7486	Heads, milled, windgauge screw ..	For fixed and flex. guns.
B 110312	Screw, elevating rear sight .. .. .			For fixed and flex. guns.
C 45961	Slide, rear sight. . . . .	BD 6937	Slides, backsight . . . . .	For fixed and flex. guns.
C 45964	Leaf, rear sight assembly .. .. .	BD 7415	Leaves, backsight, assembled .. .. .	For fixed and flex. guns.
C 64906	Sight, rear, assembly .. .. .	BD 7478	Sights, back, assembled .. . . . .	For fixed and flex. guns.
D 35236	Leaf, rear sight .. . . . .			For fixed and flex. guns.





C 45964



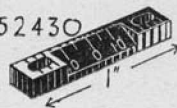
A152432



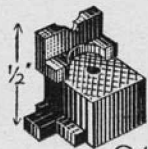
A13166



A152430



D35236



A163398



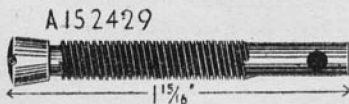
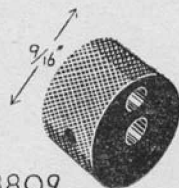
A163397



A13162



C45961



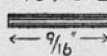
A13155



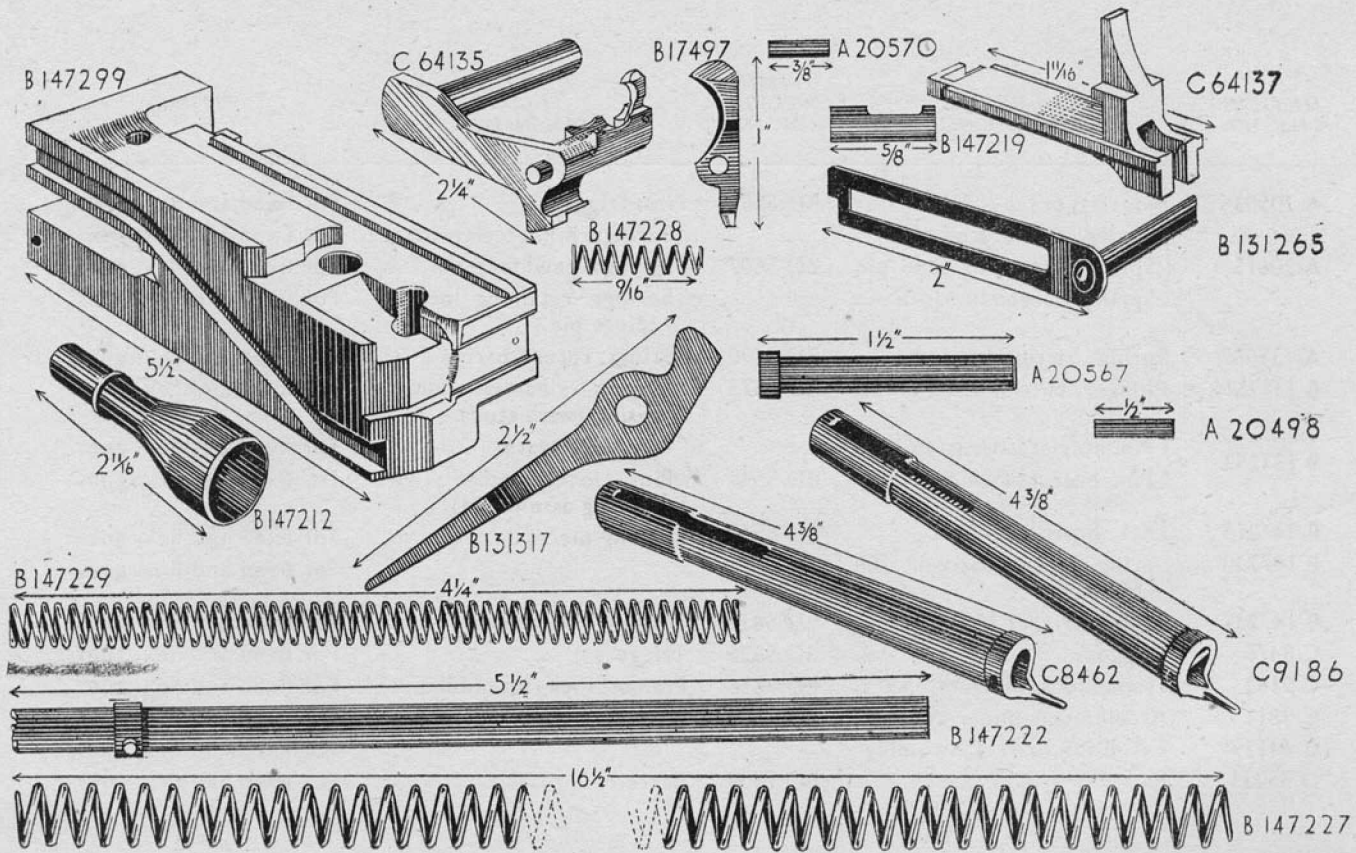
A13154



A13700



AMERICAN S.N.L. NO.	AMERICAN S.N.L. DESIGNATION.	FORMER WEEDON CAT. NO.	ENGLISH DESIGNATION.	REMARKS.
A 20498	Pin, firing pin spring ...	BD 5555	Pins, retaining, firing pin spring.	For fixed and flex. guns.
A 20567	Pin, cocking lever ...	BD 5550	Pins, lever, cocking...	For fixed and flex. guns.
A 20570	Pin, ejector ...	BD 5553	Pins, ejector...	For fixed and flex. guns.
B 17497	Ejector ...	BD 5521	Ejectors ...	For fixed and flex. guns.
B 131265	Spring, sear, assembly ...	BD 5618	Springs, sear (w/- pin) ...	For fixed and flex. guns.
B 131317	Lever, cocking ...	BD 5538	Levers, cocking ...	For fixed and flex. guns.
B 147212	Handle, bolt...	BD 5530	Handles, cocking ...	For fixed and flex. guns.
B 147219	Plunger, extractor cam ...	BD 5574	Plungers, transporter ...	For fixed and flex. guns.
B 147222	Rod, driving spring assembly.			For fixed and flex. guns.
B 147227	Spring, driving, .047 wire ...			For fixed and flex. guns.
B 147228	Spring, extractor cam plunger.	BD 5610	Springs, plunger, transporter	For fixed and flex. guns.
B 147229	Spring, firing pin ...	BD 5611	Springs, pin, firing ...	For fixed and flex. guns.
B 147299	Bolt, assembly ...	BD 7450	Blocks, breech (w/- recoil plate).	For fixed and flex. guns.
C 8462	Pin, firing ...			For fixed and flex. guns.
C 9186	Pin, firing, assembly ...	BD 5554	Pins, firing (w/- spring and pin assembled).	For fixed and flex. guns.
C 64135	Extractor, assembly ...			For fixed and flex. guns.
C 64137	Sear ...	BD 5598	Sears ...	For fixed and flex. guns.



AMERICAN S.N.L. NO.	AMERICAN S.N.L. DESIGNATION.	FORMER WEEDON CAT. NO.	ENGLISH DESIGNATION.	REMARKS.
A 20503	Pin, trigger ... ..	BD 5559	Pins, trigger... ..	For fixed and flex. guns.
A 20615	{ Spring, accelerator pin ...	BD 5607	{ Springs, pin, accelerator ...	For fixed and flex. guns.
	{ Spring, belt feed pawl pin		{ Springs, pawl feed pin ...	For fixed and flex. guns.
	{ Spring, breech lock pin ...		{ Springs, retaining locking- piece pin.	For fixed and flex. guns.
A 135057	Spring, barrel plunger ...	BD 7490	Springs, return barrel ...	For fixed and flex. guns.
B 131251	Plunger, barrel, assembly ...	BD 5573	Plungers, barrel return spring (with stud).	For fixed and flex. guns.
B 131253	{ Pin, accelerator, assembly	BD 5549	{ Pins, accelerator ... ..	For fixed and flex. guns.
	{ Pin, breech lock, assembly		{ Pins, locking-piece (with spring assembled).	For fixed and flex. guns.
B 147214	Lock, breech ... ..	BD 5540	Locking-pieces ... ..	For fixed and flex. guns.
B 147230	Spring, locking barrel, 208 point.			For fixed and flex. guns.
B 147231	Spring, trigger pin ... ..	BD 5620	Springs, pin, trigger ...	For fixed and flex. guns.
C 8476	Trigger ... ..	BD 5625	Triggers ... ..	For fixed and flex. guns.
C 9182	Frame, lock, assembly ...	BD 7636	Frames, lock, assembled ...	For fixed and flex. guns.
C 9811	Accelerator (under-cut lugs)	BD 5502	Accelerators... ..	For fixed and flex. guns.
C 64139	Extension, barrel, assembly			For fixed and flex. guns.
D 35233	Barrel ... ..	BD 7408	Barrels ... ..	For fixed and flex. guns.

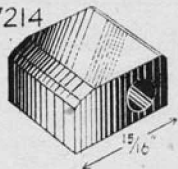




23<sup>7</sup>/<sub>8</sub>"

D 35233

B 147214



1<sup>5</sup>/<sub>16</sub>"

B 131253



1<sup>1</sup>/<sub>2</sub>"



3<sup>3</sup>/<sub>8</sub>"

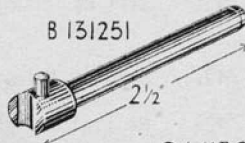
A 135057

A 20615

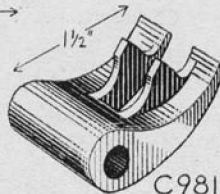


5<sup>5</sup>/<sub>8</sub>"

B 131251



2<sup>1</sup>/<sub>2</sub>"



1<sup>1</sup>/<sub>2</sub>"

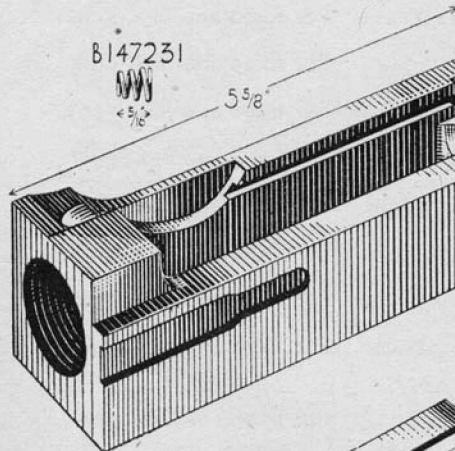
C 9811

B 147231



5<sup>5</sup>/<sub>16</sub>"

5<sup>5</sup>/<sub>8</sub>"



C 64139

C 9182

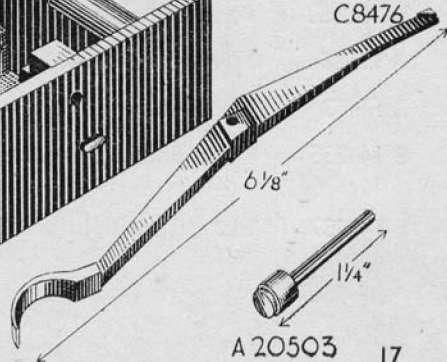
5<sup>1</sup>/<sub>16</sub>"

C 8476



2<sup>3</sup>/<sub>16</sub>"

B 147230



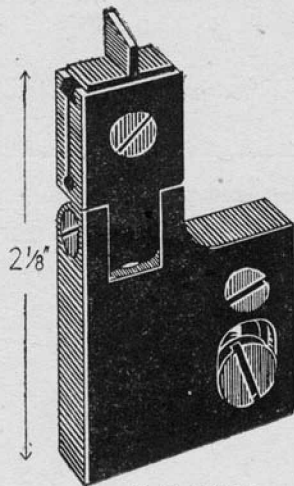
6<sup>1</sup>/<sub>8</sub>"



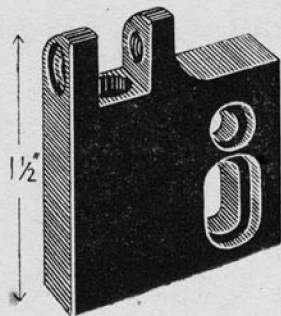
1<sup>1</sup>/<sub>4</sub>"

A 20503

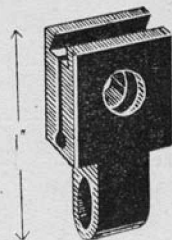
AMERICAN S.N.L. NO.	AMERICAN S.N.L. DESIGNATION.	FORMER WEEDON CAT. NO.	ENGLISH DESIGNATION.	REMARKS.
A 13249	Screw, locking front sight bracket.	BD 7428	Screw, locking, foresight bracket.	For fixed and flex. guns.
A 13250	Screw, clamping front sight	BD 7426	Screws, clamping, foresight blade.	For fixed and flex. guns.
A 13258	Screw, front sight bracket	BD 7427	Screws, foresight bracket...	For fixed and flex. guns.
A 156880	Post, front sight ... ..	BD 7422	Posts, foresight ... ..	For fixed and flex. guns.
A 156881	Plunger, front sight ... ..	BD 7420	Plungers, post, foresight ...	For fixed and flex. guns.
A 156882	Spring, front sight ... ..	BD 7434	Springs, post, foresight ...	For fixed and flex. guns.
A 156883	Screw, retaining, front sight	BD 7430	Screws, retaining foresight	For fixed and flex. guns.
A 156884	Screw, bearing, front sight	BD 7425	Screws, post, foresight ...	For fixed and flex. guns.
B 17463	Blade, front sight ... ..	BD 5507	Blades, foresight ... ..	For fixed and flex. guns.
B 144235	Sight, bracket, front, assem- bly.	BD 7477	Brackets, foresight, assem- bled.	For fixed and flex. guns.
B 144237	Body, front sight bracket ...	BD 7410	Bodies, bracket, foresight ...	For fixed and flex. guns.



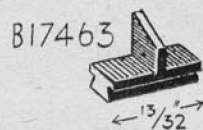
B144235



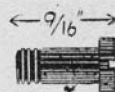
B144237



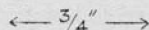
A156880



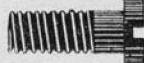
B17463



A156884



A13258



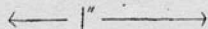
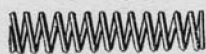
A13250



A156881



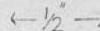
A156882



A156883

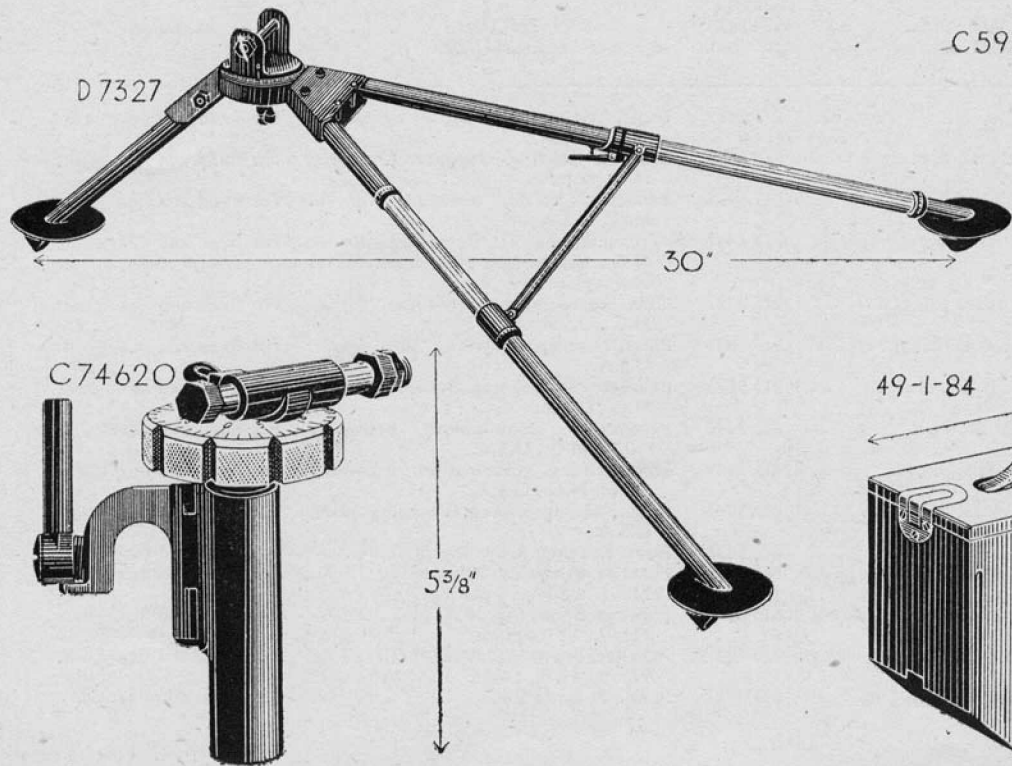


A13249

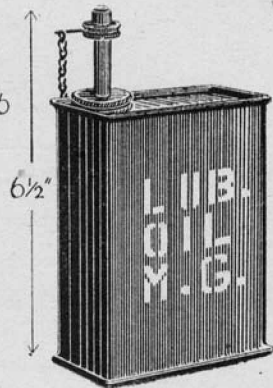


AMERICAN S.N.L. NO.	AMERICAN S.N.L. DESIGNATION.	FORMER WEEDON CAT. NO.	ENGLISH DESIGNATION.	REMARKS.
C 59736	Oiler, rectangular, 12 oz., with cap and chain.	BD 5833	Cans, oil, rectangular, .30 in., U.S.A.	For fixed and flex. guns.
C 74620	Mechanism, elevating, assem- bly.			
D 7327	Machine, gun tripod mount, Cal. .30, M.2.	BD 7540	Mountings, tripod, Brown- ing M.G., .30 in., M.2.	
49-1-84	Chest, ammunition belt, Cal. .30 (250 rd.).	BD 5827	Boxes, belt, ammunition, Browning .30 in. M.G., U.S.A.	For fixed and flex. guns.

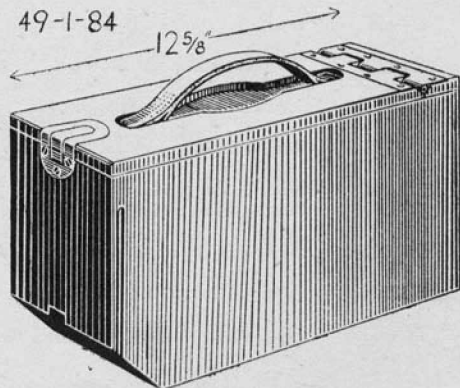




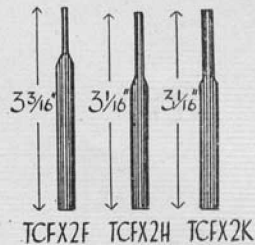
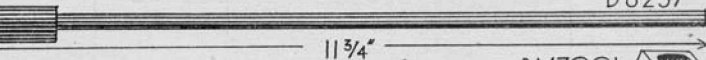
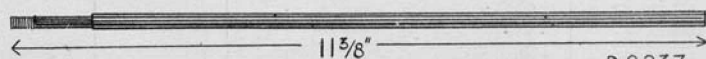
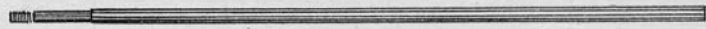
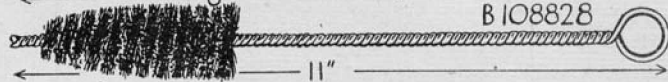
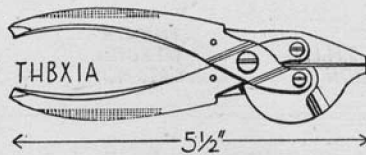
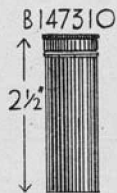
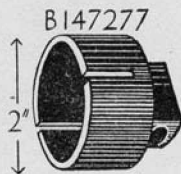
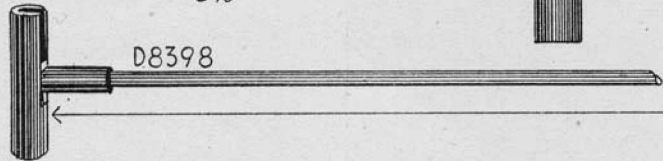
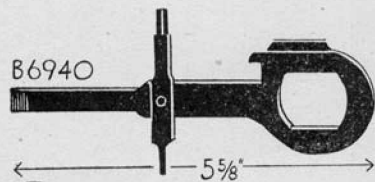
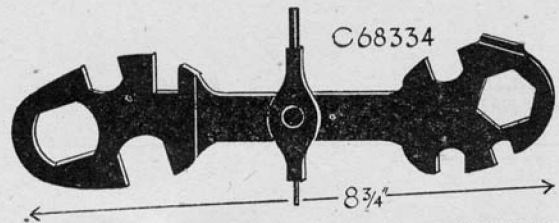
C 59736



49-1-84



AMERICAN S.N.L. NO.	AMERICAN S.N.L. DESIGNATION.	FORMER WEEDON CAT. NO.	ENGLISH DESIGNATION.	REMARKS.
B 6940	Tool, combination .. .. .	BD 5839	Tools, combination, Browning .30 in. M.G., U.S.A.	For fixed and flex. guns.
B 108828	Brush, chamber cleaning, M.6 ..	BD 5825	Brushes, cleaning, chamber, Browning M.G., U.S.A.	For fixed and flex. guns.
B 147001	Reflector, barrel, Cal. .30 .. ..	BD 5931	Reflector, barrel, Browning .30 in. M.G., U.S.A.	For fixed and flex. guns.
B 147277	Wrench, socket, front barrel bearing plug.	BD 7447	Wrenches, barrel, Browning .30 in. M.G., U.S.A. (for plug, front barrel bearing).	For fixed and flex. guns.
B 147310	Can, tubular (for spare parts).. ..	BD 7491	Cans, spare parts, Browning .30 in. M.G., U.S.A.	For fixed and flex. guns.
C 3854	Extractor, ruptured cartridge, Mk. IV	BD 5831	Plugs, clearing, Browning .30 in. M.G., U.S.A.	For fixed and flex. guns.
C 4035	Brush, cleaning, Cal. .30, M.2 .. ..	BD 5826	Brushes, rod, cleaning, Browning .30 in. M.G., U.S.A.	For fixed and flex. guns.
C 68334	Wrench, combination, M.6 .. .. .	BD 7446	Wrenches, combination, Browning .30 in. M.G., U.S.A.	For fixed and flex. guns.
C 68338	Screwdriver, combination, M.1 .. ..	BD 7445	Screwdrivers, combination, Browning .30 in. M.G., U.S.A.	For fixed and flex. guns.
D 8237	Rod, cleaning, jointed, M.1 .. .. .	BD 5949	Rods, cleaning, jointed, Browning .30 in., U.S.A.	For fixed and flex. guns.
D 8398	Rod, cleaning, M.2 .. .. .	BD 5838	Rods, cleaning, Browning .30 in., U.S.A.	For fixed and flex. guns.
TCFX2F	Punch, drive pin, special, .08 pt. ..	BD 5835	Punches, Browning .30 in. M.G., U.S.A., No. 1, .08 in. $\times \frac{3}{4}$ point.	For fixed and flex. guns.
TCFX2H	Punch, drive pin, special, .12 pt., 3 long	BD 5836	Punches, Browning .30 in. M.G., U.S.A., No. 2, .12 in. point.	For fixed and flex. guns.
TCFX2K	Punch, drive pin, special, .18 pt., 3 long	BD 5837	Punches, Browning .30 in. M.G., U.S.A., No. 3, .18 in. point.	For fixed and flex. guns.
THBX1A	Plier, side-cutt, parallel jaw, 6 in. ..	BD 4783	Pliers, M.G., U.S.A. .. .. .	For fixed and flex. guns.



AMERICAN  
S.N.L. NO.

AMERICAN S.N.L.  
DESIGNATION.

FORMER  
WEEDON  
CAT. NO.

ENGLISH  
DESIGNATION.

REMARKS.

D 28243

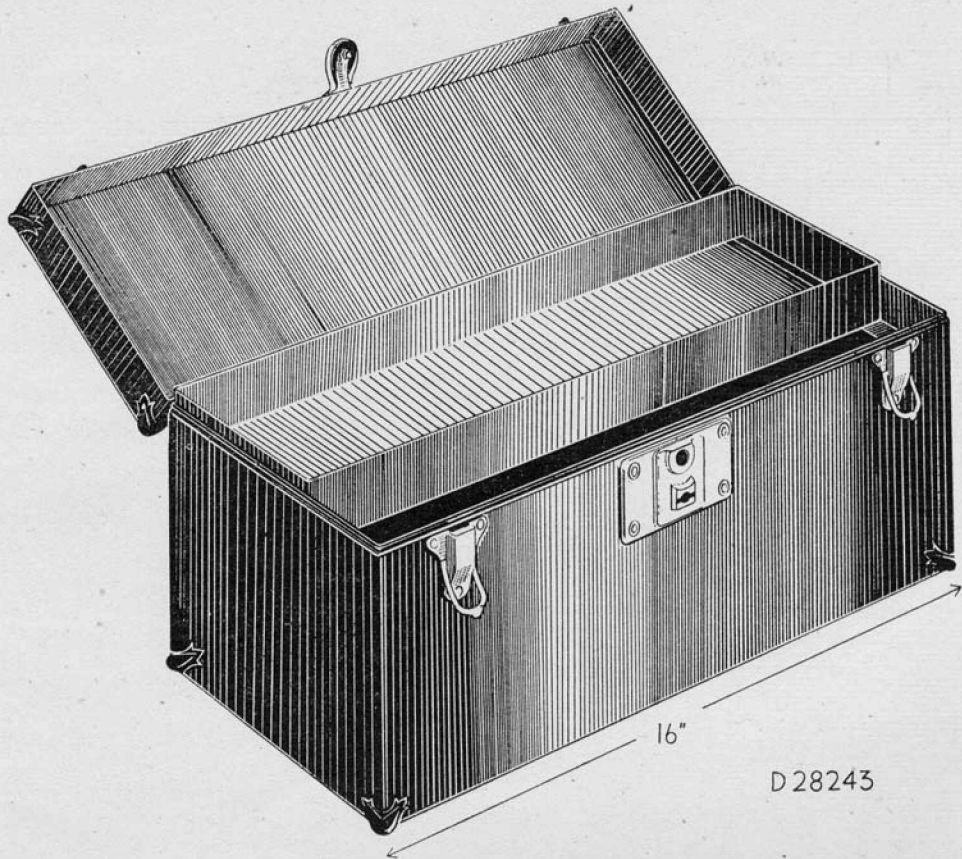
Chest, steel, M.5 ... ..

BD 7448

Chests, steel, Browning  
·30 in., U.S.A.

For fixed and flex. guns.





16"

D28243

AMERICAN S.N.L. NO.	AMERICAN S.N.L. DESIGNATION.	FORMER WEEDON CAT. NO.	ENGLISH DESIGNATION.	REMARKS.
C 6573	Case, cleaning rod, M.1 ...	BD 5927	Cases, cleaning rod, Brown- ing .30 in. M.G., U.S.A.	For fixed and flex. guns.
C 59656	Case, spare bolt, M.2 ...	BD 7443	Cases, breech block, Brown- ing .30 in. M.G., U.S.A.	For fixed and flex. guns.
C 59696	Envelope, spare parts, M.1 ...	BD 5930	Wallets, spare parts, Brown- ing .30 in. M.G., U.S.A.	For fixed and flex. guns.
D 7349	Roll, spare parts, M.13 ...	BD 5933	Rolls, spare parts, Browning .30 in.	For fixed and flex. guns.
D 7389	Roll, tool, M.12 ... ..	BD 5934	Rolls, tool, Browning .30 in. M.G., U.S.A.	For fixed and flex. guns.
D 30653	Cover, tripod mount, M.2 ...	BD 7608	Covers, tripod mount, M.2	
D 30674	Cover, spare barrel, M.9 ...	BD 5929	Covers, spare barrel, M.9, Browning .30 in. M.G., U.S.A.	For fixed and flex. guns.

