

FB



Blaser

Blaser

Operating Instructions





Description of parts

1	Front sight	10	Buttstock
2	Rib	11	Trigger
3	Fronthanger for forearm	12	Barrel selector lever
4	Hinge housing	13	Action
5	Monoblock locking ledge	14	Hinge pin
6	Model and caliber specs	15	Forearm
7	Extractor	16	Forearm catch
8	Locking lever	17	Barrel combination
9	Safety catch lever		

Contents

	Page
Description of parts	1
1. Safety/Dangers	
1.1. Safety regulations for handling firearms	2/3
2. Versions	3
3. Assembly	
3.1. Mounting the barrel set	4
3.2. Mounting the forearm	4
4. Take down	
4.1. Removing the forearm	4
4.2. Removing the barrel set	4
5. Operation	
5.1. Opening the gun	5
5.2. Closing the gun	5
5.3. Securing the gun (safety on)	5
5.4. Releasing the safety	5
5.5. Loading the gun	6
5.6. Unloading the gun	6
5.7. Barrel Selection and firing	7
5.8. Decocking the firing blocks	8
5.9. Changeable chokes	9
5.10. Steel shot cartridges	10
5.11. Adjustable comb	10
5.12. Adjustable recoil pad	11
5.13. Adjusting the balancer	12
6. Care/Maintenance	
6.1. Transport	15
6.2. Care	15
6.3. Maintenance	15
7. Guarantee	
7.1. Manufacturer guarantee	16
7.2. Scope of guarantee	16
7.3. Guarantee exclusion	16

Blaser

Blaser Jagdwaffen GmbH
88316 Isny
Germany

1. Safety/Dangers

1. Safety/dangers

The F3 Shotgun is equipped with a self-cocking double lock. Two locks are cocked when the gun is opened. After discharging a round, one lock remains cocked.

DANGER:

A loaded weapon is a danger to life!

- The gun is cocked by opening the gun. Ensure that the muzzle is always pointed in a direction in which neither people, animals nor property are endangered.
- Only put your finger on the trigger when about to fire a round.

DANGER:

Life can be endangered by defective ammunition!

- Only use flawless ammunition that is clearly the corresponding caliber for the gun and that meets the requirements of the CIP, especially with regard to the maximum reference gas pressure, P_{max} .
- Each Blaser gun is tested by the official state proof house in accordance with the German shooting law and German shooting ordinance with a gas pressure that exceeds the permissible maximum reference gas pressure, P_{max} , by at least 30%. Under certain circumstances, exceeding the gas pressures of the ammunition to be used cannot guarantee the safety of the user or of third parties. This also applies for cartridge cases that do not or no longer meet the requirements of their sealing function.

1.1. Safety regulations for handling firearms

In order to guarantee safe handling of a firearm, please ensure the following:

- Ensure that the correct operating instructions are at hand. The following specs are located to the left at the rear of the barrel combination: – Model name, F3 – Caliber
- Ensure that the gun and ammunition are only used by authorized persons.
- Ensure that the gun and ammunition are always stored separately, under lock and key and not accessible for unauthorized persons.
- Applicable specifications and national legal provisions for handling and keeping firearms and ammunition must be observed.
- To prevent injury to persons or animals or damage to property, always hold the muzzle in a direction in which neither persons, animals nor property are endangered.
- Ensure that there is no foreign matter in the barrel both before and after loading the gun (e.g. water, snow, earth).
- Only load the gun immediately before firing.
- Only release the safety immediately before firing.
- When releasing the safety, ensure that the muzzle is always pointed in a direction in which neither people, animals nor property are endangered.
- Check both the foreground and background before every shot.
- Only aim at a target when it has been clearly identified.
- Only put your finger on the trigger when about to fire a round.
- Always wear hearing protection when firing.

2. Versions

After a cartridge has failed:

- In order to prevent danger posed by hang-fire, only open the lock after 60 seconds.

Before handling the gun:

- Perform all functions and procedure steps with an unloaded gun so that you become familiar with the gun.

Always handle every gun as if it were loaded and ready-to-fire until you have checked as follows:

- Lock open
- Check chamber and barrels

DANGER:

A loaded weapon is a danger to life!

- Heavy jolting or dropping the gun can cause locks to disengage, despite the gun being safety-secured.
- Ensure that the gun is unloaded:
 - Before crossing/climbing over obstacles.
 - Before climbing up or down raised stands.
 - Before entering a building.
 - Before getting into a car.
 - Before entering a town/residential area.
 - Before storing or handing over the gun.

The F3 Shotgun is designed for right and left-handed users.

The locking lever is opened in accordance with the version to the right (for right-handed users) or to the left (for left-handed users).

3. Assembly

Note

To achieve safe handling of the gun more efficiently and quicker, please carry out all assembly steps with a specialist (e.g. specialist dealer).

3.1. Mounting the barrel set

Note

Fixing on the barrel set is only possible with removed forearm.

Fix on barrel set as follows:

- Press locking lever until it engages.
- Push in both extractors until they stop.
- Insert barrel set:

Note

For easier handling, grip the barrel set with the fingers and guide into the action with the thumbs.

Insert the hinge pin in the action into the housing on the barrel set with the barrel set pointing down at an angle.

- Tip up buttstock.
 - Check to see if locking lever is closed.
- Gun is closed.

3.2. Mounting the forearm

Mount the forearm as follows:

- Set the forearm on the radius on the action.
- Tip up forearm until it engages.

4. Take down

DANGER:

A loaded weapon is a danger to life!

- Secure and unload the gun before taking down.

4.1. Removing the forearm

Remove the forearm as follows:

- Press the forearm catch.
- Remove the forearm.

4.2. Removing the barrel set

Remove barrel set as follows:

- Press locking lever and keep pressed.
- Tip barrel set (approx. 45 °).
- Pull hinge pin in the action out of the housings on the barrel set.

5. Operation

5.1. Opening the gun

Open the gun as follows:

- Press locking lever and keep pressed.
- Tip barrel combination downwards (approx. 45 °).

5.2. Closing the gun

Close the gun as follows:

- Hold the barrel tilted downwards.
- Tip up buttstock.
- Check to see if locking lever is closed.

Gun is closed.

5.3. Securing the gun (safety on)

DANGER:

A loaded weapon is a danger to life!

- Heavy jolting or dropping the gun can cause locks to disengage, despite the gun being safety-secured.

Secure the gun as follows:

- Push safety catch lever back with thumb.
- S (= Safe) is visible. Gun is secured.

5.4. Releasing the safety

DANGER:

A loaded weapon is a danger to life!

- Ensure that the muzzle is always pointed in a direction in which neither people, animals nor property are endangered.
- Only put your finger on the trigger when about to fire a round.

Release the safety as follows:

- Push safety catch lever forward with thumb.

F (= Fire) is visible. Safety is released.

5. Operation

5.5. Loading the gun

DANGER:

A loaded weapon is a danger to life!

- Ensure that the muzzle is always pointed in a direction in which neither people, animals nor property are endangered.
- Heavy jolting or dropping the gun can cause locks to disengage, despite the gun being safety-secured.
- Only put your finger on the trigger when about to fire a round.

Load the gun as follows:

- Secure the gun with the safety catch lever. S (= Safe) is visible.
- Press locking lever and keep pressed.
- Tip barrel set downwards (approx. 45 °).
- Push cartridges into the chambers.
- Hold the barrel tilted downwards.
- Tip up buttstock.
- Check to see if locking lever is closed.

Gun is loaded, cocked and safety is on.

Note

The F3 is fitted with a striker safety catch system that is independent of the safety slide position.

*When closing the gun the trigger should **not** be touched as this can cause one safety sear to block the strikers.*

5.6. Unloading the gun

DANGER:

A loaded weapon is a danger to life!

- The gun is cocked by opening the gun. Ensure that the muzzle is always pointed in a direction in which neither people, animals nor property are endangered.
- Only put your finger on the trigger when about to fire a round.

Note

The gun has an extractor with ejector function for each barrel. The ejector function is active for the respective barrel after a round has been fired.

When the gun is opened the extractors slightly lift the cartridges that have not been fired and eject the fired cartridges.

Unload the gun as follows:

- Secure the gun with the safety catch lever. S (= Safe) is visible.
- Press locking lever and keep pressed.
- Tip barrel set downwards (approx. 45 °).

The extractors slightly lift the cartridges that have not been fired and eject the fired cartridges.

- Take out the unfired cartridges.

The gun is unloaded.

5. Operation

5.7. Barrel selection and firing

DANGER:

A loaded weapon is a danger to life!

- The gun is cocked by opening the gun. Ensure that the muzzle is always pointed in a direction in which neither people, animals nor property are endangered.
- Only put your finger on the trigger when about to fire a round.
- Only perform selection with opened lock.

Barrel selection

A barrel selector lever, is located in front of the trigger for selecting the barrel for the first and second shot.

Select shooting order as follows:

- Barrel selector lever to the rear (towards the user)
 - first shot from bottom barrel
 - second shot from top barrel
- Barrel selector lever to the front (towards the muzzle)
 - first shot from top barrel
 - second shot from bottom barrel

Firing

DANGER:

Danger to life when firing a round!

- Ensure that there is no foreign matter in the barrel before firing the gun (e.g. water, snow, earth).
- Check the foreground and background before every shot.
- Only aim at a target when it has been clearly identified.
- Only put your finger on the trigger when about to fire a round.
- After discharging a round
 - one lock remains cocked
 - a live round is still in the barrel.
- Always wear hearing protection when firing.

Firing functions as follows:

- Release the safety with the safety catch lever. F (= Fire) is visible.
- Pull trigger (first shot).
- Pull trigger again (second shot).

5. Operation

5.8. Decocking the firing blocks

DANGER:

A loaded weapon is a danger to life! Danger of confusing dummy round with live round!

- Ensure that the muzzle is always pointed in a direction in which neither people, animals nor property are endangered.

Decocking the locks using dummy rounds.

With a loaded gun:

- First unload the gun, see "Unloading the gun".

Decock the locks as follow:

- Hold the barrel tilted downwards.
- Push dummy cartridges into the chambers.
- Tip up buttstock.
- Check with the index finger to see if locking lever is closed.
- Pull the trigger twice.

The locks are decocked.

5. Operation

5.9. Changeable chokes

Changeable chokes are screwed into the muzzles to set the shot pattern with the F3 Shotgun. Blaser Jagdwaffen GmbH provide changeable chokes for sports shooters and hunters.

DANGER:

The barrels will be damaged if the wrong or no changeable chokes are fitted!

- If steel shot, tungsten, tungsten iron or molyshot are used, do not use changeable chokes of sizes 3/4 (im) or 1/1 (f).
- Only fire with fitted changeable chokes.

Changeable chokes for F3 Shotgun:

Changeable chokes for lead shot, German version	Changeable chokes for lead shot, English version	Marking on the muzzle
cylinder	cylinder (cy)	none
skeet (sk)	skeet (sk)	none
1/4	improved cylinder (ic)	1 notch
1/2	modified (m)	2 notches
3/4	improved modified (im)	3 notches
1/1 or full	full (f)	4 notches
5/4 or extra full	extra full (ef)	5 notches

Note: Steel shot causes a significantly lower shot string than lead shot.

Effect of the changeable chokes when using steel or lead shots:

- **Skeet** or **sk** with lead shot corresponds with **1/4** and **ic** with steel shot.
- **1/4** or **ic** with lead shot corresponds with **1/2** or **m** with steel shot.
- **1/2** or **m** with lead shot corresponds with **3/4** or **im** with steel shot.

Changing the chokes

DANGER:

A loaded weapon is a danger to life!

- Engage safety and unload the gun before changing the chokes.
- Only change the changeable chokes with an opened gun.

Change the changeable chokes as follows:

- Put the choke key pin into the slots of the changeable choke.
 - Screw the choke out anticlockwise.
 - Screw the choke in clockwise until it stops.

DANGER:

The changeable chokes will be damaged by improper handling!

- Ensure that the fine threads of the changeable chokes are clean and lightly oiled.
- Only use the supplied choke key for changing the chokes.

5. Operation

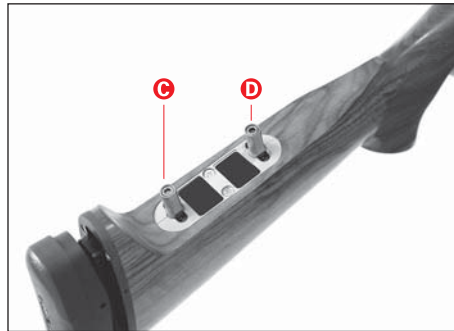
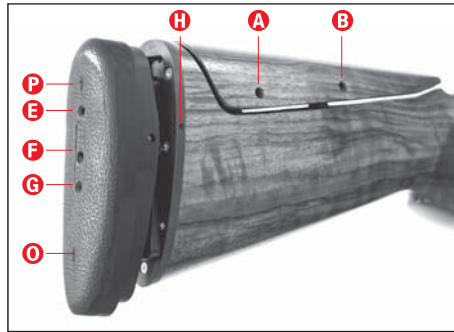
5.10. Steel shot cartridges

DANGER:

- The barrels will be damaged if the wrong or no changeable chokes are fitted!
- If steel shot, tungsten, tungsten iron or molyshot are used, do not use changeable chokes of sizes 3/4 (im), 1/1 (f) or 5/4 (ef) and above.
 - Only fire with fitted changeable chokes.

The F3 Shotgun fires steel shot cartridges and is steel shot compatible.

5.11. Adjustable comb



5.11.1. Adjusting the drop at comb

- Loosen the fixing screws A and B with the 4 mm Allen key
- Lift or drop the comb to the desired height
- Tighten the fixing screws A and B with the 4 mm Allen key

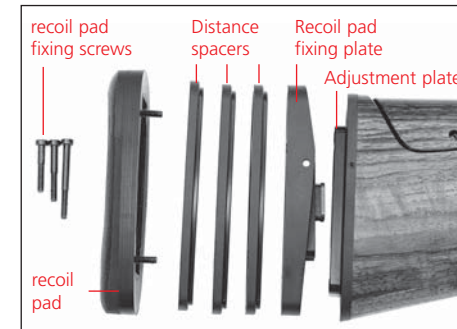
5.11.2. Adjusting the cast (at face)

- Loosen the fixing screws A and B with the 4 mm Allen key
- Lift off the comb
- Loosen the fixing bolts C and D with the 4 mm Allen key
- Move the fixing bolts to the left or to the right (for more cast off move to the right)

5. Operation

- Tighten the fixing bolts C and D with the 4 mm Allen key
- Return the comb and hold at required height
- Tighten the fixing screws A and B with the 4 mm Allen key

5.12. Adjustable recoil pad



5.12.1. Adjusting the cast

- Loosen the fixing screws F and G with the 3 mm Allen key
- Slide the recoil pad together with recoil pad fixing plate up to the top and remove
- Loosen the fixing screws I and K with the 3 mm Allen key
- Move the adjustment plate into desired position

- Tighten the fixing screws I and K with the 3 mm Allen key
- Return recoil pad to desired position
- Tighten the fixing screws F and G with the 3 mm Allen key

5.12.2. Adjusting the drop

- Loosen the fixing screws F and G with the 3 mm Allen key
- Slide the recoil pad complete with recoil pad fixing plate to desired position and hold
- Tighten the fixing screws F and G with the 3 mm Allen key

5.12.3. Adjusting the pitch

- Turn adjustment screw E anti-clockwise with the 3 mm Allen key = Reduces the pitch angle
- Turn adjustment screw E clockwise with the 3 mm Allen key = Increases the pitch angle

5.12.4. Adjusting the stock length

- Loosen the recoil pad fixing screws O and P with the 3 mm Allen key
- Remove the recoil pad

Stock length extension

- Attach one or more distance spacers onto the recoil pad fixing plate

Stock length reduction

- Remove one or more distance spacers from the recoil pad fixing plate
- Return the recoil pad
- Tighten the recoil pad fixing screws O and P with the 3 mm Allen key

5. Operation

TIP:

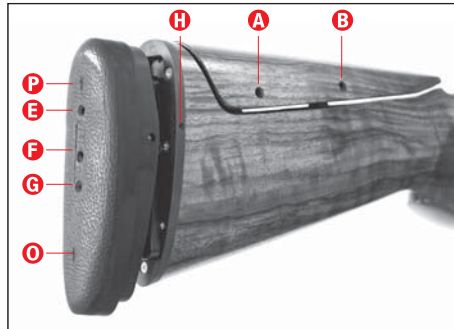
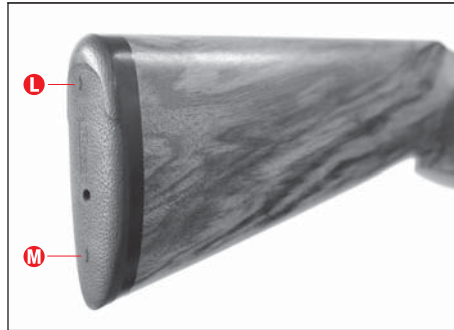
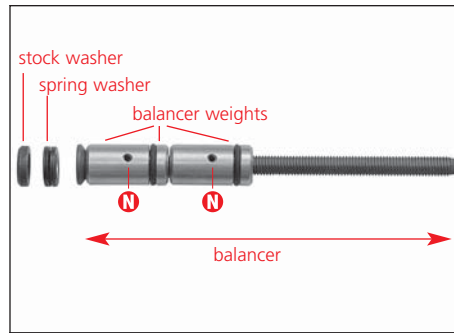
Both fixing screws O and P are fitted inside the recoil pad and are not visible from the outside.

A pre-formed slit can be found on the face side of the recoil pad, at the height of the fixing screws. To remove the fixing screws, push the 3 mm Allen key into the slit opening on the recoil pad. To prevent damage to the recoil pad, we recommend that the tip of the Allen key be coated with gun oil or gun fat.

The delivery of the adjustable recoil pad should consist of: Recoil pad fixing screws in 3 different lengths.

When inserting or removing distance spacers, longer or shorter screws should be used accordingly.

5.13. Adjusting the balancer



5.13.1. Removing the non-adjustable recoil pad

- Remove the screws L and M with a size 1 phillips screwdriver
- Remove the recoil pad

5. Operation

TIP:

Both fixing screws L and M are fitted inside the recoil pad and are not visible from the outside. A preformed slit can be found on the face side of the recoil pad, at the height of the fixing screws. To remove the fixing screws, push the size 1 phillips screwdriver into the slit opening on the recoil pad. To prevent damage to the recoil pad we recommend that the tip of the screwdriver be coated with gun oil or gun fat.

5.13.2. Removing the adjustable recoil pad

- Loosen screw H with the 1.5 mm Allen key (approx. 5 turns)
- Slide the recoil pad complete with recoil pad fixing plate and adjustment plate up to the top
- Remove the recoil pad complete with recoil pad fixing plate and adjustment plate

5.13.3. Removing the balancer

- Loosen the balancer using the 5 mm Allen key. Ensure that the muzzle is pointing down and resting on a non-slip surface.
- Remove the balancer

ATTENTION:

After loosening the balancer, the stock is no longer secured. Handling the gun now, could result in the stock removing which could cause damage to the gun or stock.

TIP:

After removing the balancer, the stock washer and spring washer are no longer secured on the stock connecting rod.

Hold the gun with the muzzle pointing down to avoid losing the stock and spring washers.

5.13.4. Adjusting the weight distribution

- Loosen the counter screw N on the balancer weight with the 2 mm Allen key
- Turn the balancer weight to desired position
- Tighten the counter screw N on the balancer weight with the 2 mm Allen key

TIP:

To avoid damaging the threaded rod, please ensure when tightening the counter screw N that you are screwing it down onto the flat side of the rod and not directly onto the thread.

TIP:

The balancer is as a rule, fitted with one balancer weight. Depending on the stock weight, barrel weight and/or personal preference the balancer can be set with one weight, two weights or even without any weights. When using one or two weights, the fine adjustments of balance are made through turning the weights in the needed direction until the desired balance is achieved.

5. Operation

5.13.5. Returning the balancer

- Ensure that the muzzle is pointing down and resting on a non-slip surface.
- Tighten the balancer with the 5 mm Allen key

TIP:

Ensure that when returning the balancer that both the stock and spring washer are correctly in place on the stock connecting rod, inside the stock. Through tightening the balancer the stock will be secured. Please ensure that the balancer is firmly tightened.

5.13.6. Returning the non-adjustable recoil pad

- Insert the point of the screws L and M located in the recoil pad, back into the pre-drilled hole in the back of the stock
- Tighten the screws using the size 1 phillips screwdriver

TIP:

When tightening screws L and M, ensure that the recoil pad lines up flush with the stock.

5.13.7. Returning the adjustable recoil pad

- Return the recoil pad complete with recoil pad fixing plate and adjustment plate
- Slide the recoil pad complete with recoil pad fixing plate and adjustable plate down to the bottom
- Tighten screw H with the 1.5 mm Allen key (approx. 5 turns)

TIP:

The settings of the recoil pad will not be altered through this removal or return.

6. Care/Maintenance

6.1. Transport

- Blaser Jagdwaffen GmbH recommend transporting your gun in the original Blaser ABS transport case to prevent any damage during transport.
- Only transport changeable chokes separately in suitable containers.

6.2. Care

CAUTION:

Damage can be caused by improper care!

- Only use materials for gun care that are designed for this purpose .
- Be sure to observe the instructions of the manufacturers of the care products.

Barrels

- Treat the barrels and chambers internally and externally with suitable gun oil.
 - after firing
 - after handling the gun
 - before storing the gun for longer periods
- Remove oil from barrels and chambers and check for foreign matter before firing.
- Regularly grease hinge pin and radius on the action with gun grease.

Note

With heavy accumulations Blaser Jagdwaffen GmbH recommend treatment with chemical barrel cleaning agents.

Metal parts and changeable chokes

Clean and lightly oil all metal parts of the gun and changeable chokes. Clean the threads with a brass brush each time the chokes are changed.

Stocks

All Blaser Jagdwaffen wooden stocks are polished with oil.

- Treat wooden stocks regularly with trade standard stock care products.

6.3. Maintenance

Have the F3 Shotgun checked and maintained by a specialist dealer as required and at least once a year.

7. Guarantee

7.1. Manufacturer guarantee

The Blaser Jagdwaffen GmbH guarantee is provided in addition to the legally required guarantee obligations of the dealer, this being under the prerequisite that the enclosed gun pass be received fully filled-out at Blaser Jagdwaffen GmbH within ten days of the purchase date. The guarantee is only provided for the first buyer, whose place of residence is in the country of purchase. The guarantee refers exclusively to the metal and plastic parts of the gun, not however to the sights. The gun's wooden parts require special care, and as natural products are subject to natural change; guarantee for the wooden parts is therefore excluded. The period of guarantee is ten years and begins on the date of purchase and includes all defects and damages of the gun (metal and plastic parts), which can be proven to be the result of material or production faults. Within this scope of influence, the manufacturer shall carry the costs for material and labor. The gun must be handed over to the authorized specialist dealer or to the production company in Isny for performance of the guarantee work. Risk and costs for the transport of the gun to and from shall be carried by the customer. Performance of the guarantee shall be made as selected by the manufacturer with repair or replacement of the defective parts; replaced parts shall become the property of the manufacturer.

7.2. Scope of the guarantee

Guarantee services shall not have the result of extending or renewing the guarantee period for either the gun or the fitted replacement parts. The guarantee period for the fitted replacement parts shall end with the guarantee period for the whole gun.

7.3. Guarantee exclusion

The guarantee shall be excluded with:

- Damage that is caused as the result of normal wear and tear, with non-observance of the operating instructions or improper use or handling and if the gun shows mechanical damages of any kind.
- Damages that are the result of force majeure or environmental influences
- Repairs, treatment or changes to the gun performed by third parties
- Use of reloaded or non-CIP-permitted ammunition
- Blueing carried out by a third party

The guarantee does not apply for optical sight equipment and telescopic sight mounts of manufacturers other than Blaser Jagdwaffen GmbH. More extensive or other claims, especially those that refer to compensation for damages that go beyond the gun itself (consequential damages) shall be excluded (provided liability is not legally ordered as compulsory).