

*Bukhal*

RUSSIA IZHEVSK



II-70 9mm SPORTING SELF - LOADING PISTOL  
SPORTLICHE SELBSTLADEPISTOLE II - 70 KALIBER 9mm  
PISTOLET SPORTIF A RECHARGEMENT AUTOMATIQUE  
MODELE II -70 DE 9mm



**ИЖК - 70**

## 1. INTRODUCTION

1.1. Before using the pistol carefully study the present certificate. The certificate includes basic specifications and rules for pistol usage.

1.2. Since efforts are continuously made to improve the pistol reliability and performance, changes may be introduced without special notice.

## 2. PURPOSE

The sports pistol mod. U-70 cal. 9 mm (fig. 1) is intended for sports training shooting in shooting galleries and ranges at distance upto 50 m. The pistol is chambered for 9 mm x 18 Makarov and 9 mm Browning "Kurz" (.380 Auto) cartridges.



Fig. 1. External appearance of Tj-70 eight-shot pistol in 9 mm Makarov or Kurz caliber.

### 3. SPECIFICATIONS

Caliber, mm	9 mm Makarov		9 mm Kurz	
	Magazine capacity, pcs	8	12	8
Overall dimensions, mm, approx:				
-- length	161	165	161	165
-- width	30,5*	34	34	30,5*
-- height	126,7	126,7	126,7	126,7
Barrel length, mm	93,5	93,5	93,5	93,5
Weight, with empty magazine, kg, not over	0,73	0,74	0,73	0,74

\*Note: Width of pistol fitted with anatomical grip is 34 mm

#### 4. PISTOL COMPONENTS AND COMPLETENESS OF SETS.

##### List of assembly units and parts.

Ref. Noe. in Fig. 2 and 5	Description	Qty	Ref. Noe. in Fig. 2 and 5	Description	Qty
1	Barrel	1	22	Safety device with spring	1
2	Frame with plug	1	23	Ejector	1
3	Trigger guard	1	24	Ejector plunger	1
4	Barrel pin and trigger pin	1	25	Ejector plunger spring	1
5	Trigger guard plunger	1	26	Sight base	1
6	Trigger guard spring	1	27	Rear sight	1
7	Trigger guard pin	1	28	Screw for horizontal adjustment	1
8	Trigger	1	29	Rod	1
9	Trigger bar with locking lever	1	30	Spring	1
10	Sear	1	31	Pin	1
11	Sear spring	1	32	Screw for vertical adjustment	1
12	Slide stop	1	33	Lock	1
13	Hammer	1	34	Spring	1
14	Mainspring	1	35	Magazine body	1
15	Mainspring Clamp	1	36	Follower	1
16	Grip with mounting accessories	1	37	Magazine spring	1
17	Bushing for grip spring	1	38	Magazine cover	1
18	Grip spring	1	39	Spring holder	1
19	Return spring	1	40	Separator spring	1
20	Slide	1	41	Spring separator	1
21	Firing pin	1			

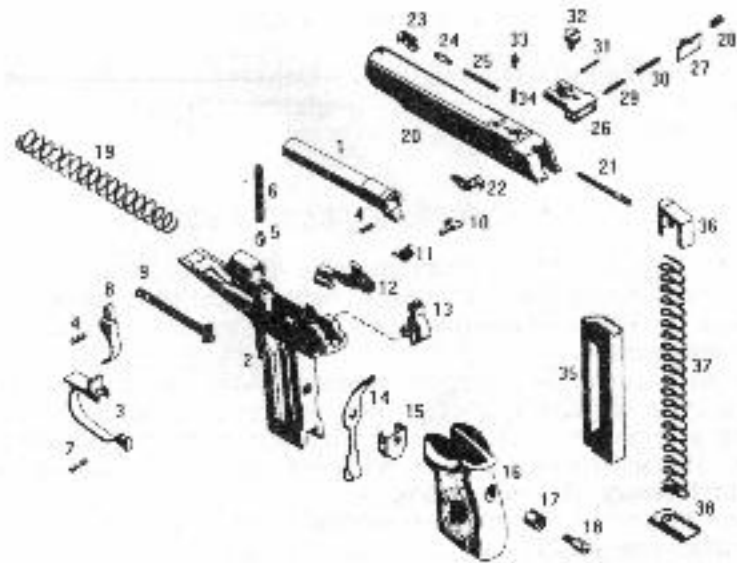


Fig. 2. Parts of U-70 eight-shot pistol in 9 mm Makarov or Kurz caliber.

### Completeness of sets

Pistol (with two magazines)	1	Leather cord with safety hook	1
Clearing rod	1	Leather holster	1
Screwdriver (For the U-70)	1	Packing carton	1
		Certificate	1

### 5. DESIGN AND PRINCIPLE OF OPERATION

Refer to Fig. 3 and 6 for pistol assembly diagram.

The pistol features simple design, light weight and minimum overall dimensions. It is easy in handling and in carrying. The pistol is ready to shoot at any moment.

The pistol automatic operation is based on the blowback principle. The automatic cycle includes extraction and ejection of fired cases, cocking of the firing unit and pushing the next cartridge from the magazine to the chamber. The self-cocking trigger and firing unit permits to fire the pistol without preliminary hammer cocking.

When all cartridges are fired the slide moves to the slide stop and remains in its rear position.

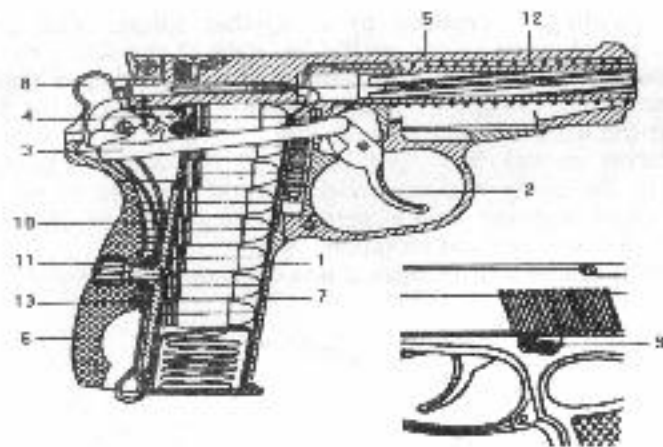


Fig. 3. Diagram of mechanisms of U-70 eight-shot pistol in 9 mm Makarov or Kurz caliber.

1 -- frame with barrel and trigger guard; 2 -- trigger with pin; 3 -- trigger bar with cocking lever; 4 -- sear with spring; 5 -- slide assy; 6 -- grip assy; 7 -- magazine assy; 8 -- hammer; 9 -- slide stop; 10 -- mainspring; 11 -- grip screw; 12 -- return spring; 13 -- mainspring stop.

Safe pistol handling is ensured by a reliable safety. The pistol is equipped with a thumb-piece safety on the left side of the slide. By setting the safety to the "safe" position the hammer is uncocked and the safety locking lug immediately catches it. This position doesn't allow the slide to be retracted and the hammer to be cocked.

With the safety in the "off" position and the trigger released the hammer is set to the safety cock to avoid firing at accident strike on the hammer. The pistol sighting device permits adjustment of the sighting radius accurately for windage and elevation.

The IJ-70-01 pistol version features a non-adjustable rear sight.

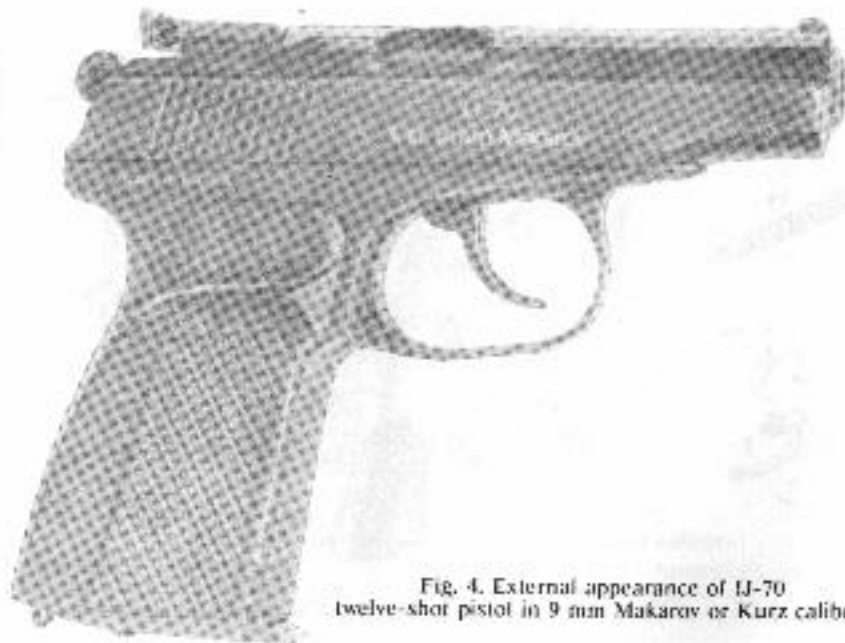


Fig. 4. External appearance of IJ-70 twelve-shot pistol in 9 mm Makarov or Kurz caliber.

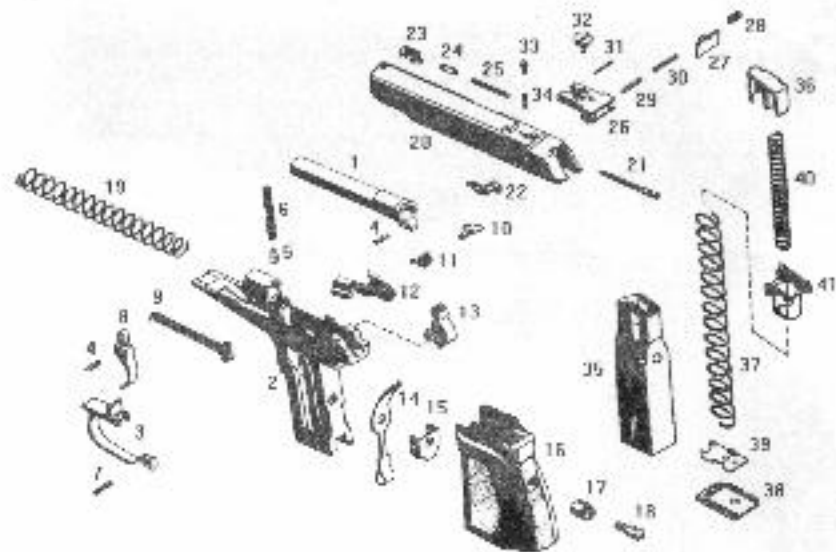


Fig. 5. Parts of U-70 twelve-shot pistol in 9 mm Makarov or Kurz caliber.

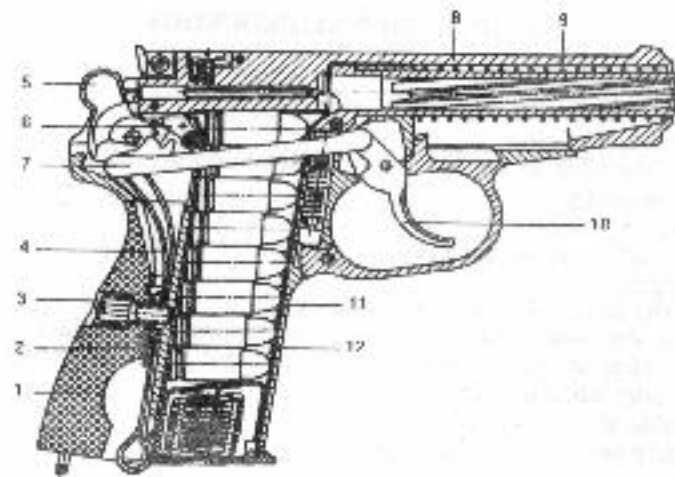


Fig. 6. Diagram of mechanisms of U-70 twelve-shot pistol in 9 mm Makarov or Kurz caliber.

1 -- grip assy; 2 -- mainspring stop; 3 -- grip screw; 4 -- mainspring; 5 -- hammer; 6 -- bear with spring; 7 -- trigger bar with cocking lever; 8 -- slide assy; 9 -- rearm spring; 10 -- trigger with pin; 11 -- frame with barrel and trigger guard; 12 -- magazine assy.

## 6. OPERATIONAL PROCEDURE

Before shooting:

load the pistol with eight or twelve cartridges;

insert the magazine;

retract the slide to the extreme rear position and release it.

After shooting:

remove the magazine;

make sure that no cartridge is left in the chamber, otherwise remove the cartridges;

push the button 9, Fig. 3 and disengage the slide stop;

detach the slide from the frame by pulling the trigger guard down, retract the slide to the extreme rear position and lift its rear end;

clean and lubricate the pistol;

assemble the pistol and test it;

set the pistol to the safety position.

## 7. SAFETY REQUIREMENTS

The pistol should always be considered as loaded and ready to shoot. Do not aim the pistol at a man. Load the pistol only before shooting. Do not store the pistol as loaded.

## 8. ACCEPTANCE CERTIFICATE

The U-70 small-sized and small-bore pistol No. [REDACTED] has been tested and found fit for use.

Date of manufacture 11.94



## 9. PRESERVATION AND STORAGE CONDITIONS

The U-70 small-sized and small-bore pistol No. [REDACTED] has been treated for preservation.

Preservation date 11.94

Dear Buyer!

Your pistol is fitted with the 10-round capacity magazine.

As to the other features they are identical to the 12-round version.