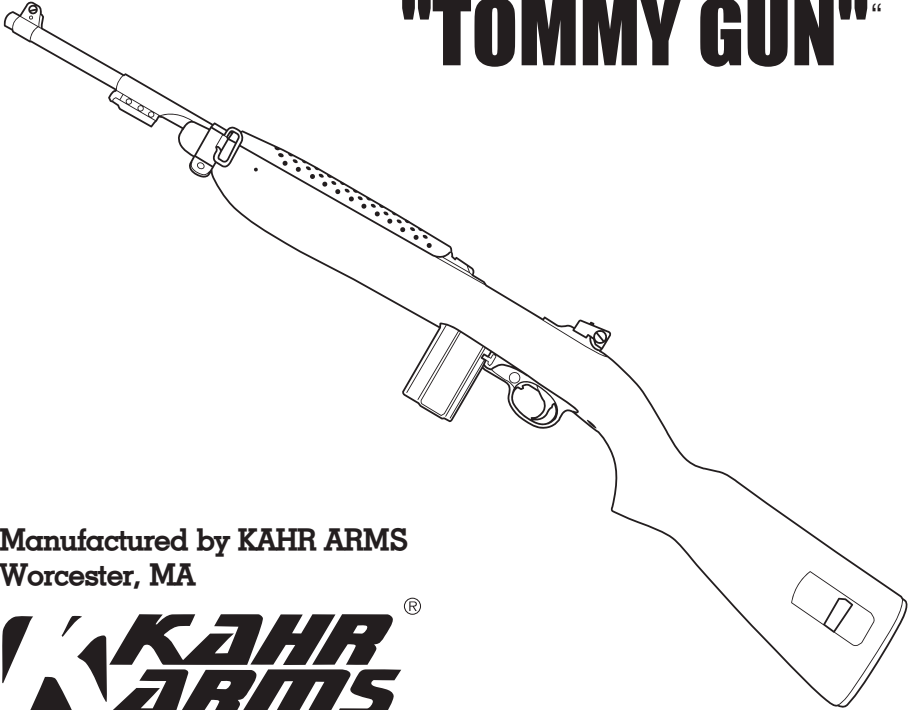


# OWNER'S MANUAL

TO BE USED FOR AUTO-ORDNANCE M1 CARBINE

Maker of the world famous  
**"TOMMY GUN"**



Manufactured by **KAHR ARMS**  
Worcester, MA

**KAHR**<sup>®</sup>  
**ARMS**



As the owner of a firearm, you must undertake the full-time responsibility of safe firearm handling for your own safety and the safety of those around you. Before handling any firearm read and understand the information contained in its owner's manual.



Be certain this owner's manual is available for reference and is kept with this firearm if transferred to another party. If the manual is lost or misplaced, write directly to Kahr Arms for a free replacement copy.

**SAFETY AND SAFE FIREARM HANDLING IS EVERYONE'S RESPONSIBILITY.**

## Auto-Ordnance Corporation

Corporate Offices: P.O. Box 220, Blauvelt, NY 10913  
Wholesale, Dealer, Police Sales: 845-735-4500 / Fax: 845-735-4610

Factory: 130 Goddard Memorial Drive, Worcester, MA 01603  
Consumer Sales & Service: 508-795-3919 / Fax: 508-795-7046  
Web Address: [www.kahr.com](http://www.kahr.com) / [www.tommygun.com](http://www.tommygun.com)

*Thompson*<sup>®</sup>

**Auto-Ordnance Corporation**

# USER SAFETY WARNINGS & RESPONSIBILITY

## IMPORTANT SAFETY WARNINGS -- NOTE THE SYMBOL



These safety warnings are for your protection as well as the safety of others. Disregarding information in this manual may result in serious injury or death.



**STOP!** Do not attempt to load or use any firearm until you read and understand the information contained in its owner's manual. Before handling your firearm, you should learn how it operates and how to maintain it. This includes knowing its basic parts, how the manual safety and other safety features operate, how to safely open and close the action and how to safely load and unload ammunition from the firearm. Improper use and handling is dangerous and could cause severe injury or death to you or those around you. All users of the firearm must become thoroughly familiar with the instructions in this manual.

Be certain this owner's manual is available for reference and is kept with this firearm if transferred to another party. If the manual is lost or misplaced, write directly to Kahr Arms for a free replacement copy.



As the owner of a firearm, you must undertake the full-time responsibility of safe firearm handling for your own safety and the safety of those around you:

- Keep all firearms and ammunition out of the reach of children.
- Store your firearms and ammunition separately.
- Never store a loaded firearm.
- Never leave a loaded firearm unattended.
- Never transport a loaded firearm in a vehicle.



**REMEMBER:** A firearm's safety lever is a mechanical device which can never replace safe firearm handling. Safe firearm handling depends on you!



Always point the muzzle of your firearm in a safe direction, regardless of whether the firearm is loaded or unloaded. You should become thoroughly familiar with the function and operation of this firearm and the instructions supplied with it.



Always treat every firearm as if it were loaded. Give your firearm to someone with the action open and safety in the "on" (safe) position after you verify the firearm is unloaded. Insist on the same procedure when receiving a firearm from someone else. Learn the location of all the safety features of your firearm and how they operate.

You have a responsibility to obtain proper training on how to use and maintain your firearm. Certified and reputable safety courses and instructions are offered by The National Rifle Association (NRA) as well as by state and local organizations. You also have a responsibility to know and obey all local, state and federal laws governing the use, possession and transportation of firearms.



To protect yourself and others from injury, use the correct ammunition referenced by the markings on the receiver. Auto-Ordinance firearms are designed, manufactured and proof tested to recommended Sporting Arms and Ammunition Manufacturers Institute (SAAMI) standards for factory loaded ammunition.

We specifically disclaim responsibility for any damage or injury whatsoever occurring in connection with, or as the result of, the use in Auto-Ordnance firearms of cartridges other than those for which the firearm was originally chambered. Additionally, we disclaim any responsibility for damage or injury which results from any modifications or changes that are not a part of the firearm as delivered from the factory.



Learn how to clean your firearm thoroughly and make certain no oil, grease or other materials are blocking the barrel. Obstructions of any kind can cause damage to the firearm resulting in personal injury.

Practice proper firearm maintenance and safety. Make sure all exposed metal surfaces are coated with a thin film of oil, especially after being exposed to damp weather. Before using after storage, follow complete instructions stated in this manual for familiarization with the firearm. A thorough inspection should be performed before shooting the firearm.



Wear eye and ear protection when shooting. Shooting without proper ear protection can cause hearing damage. The use of eye protection during any type of shooting is important to protect your vision.



Never climb or jump over an obstacle with a loaded firearm. Never pull a firearm toward you by the muzzle. Never shoot towards a flat, hard surface or water. Always be sure of your target and what is beyond it.



When handling your firearm, never allow fingers or any object to touch the trigger until you are ready to shoot.



The safety should always be in the "on" (safe) position until you are ready to shoot. It is a mechanical device and should never be used as an excuse for careless handling or unsafe practices.



Make sure you read, understand and follow the firearm safety rules that are listed in this manual.



The use of a locking device or safety lock is only one aspect of responsible firearm storage. Firearms should be stored unloaded and locked in a location that is both separate from their ammunition and inaccessible to children and other unauthorized persons.



### **LOCKING DEVICES**

This firearm was originally sold with a key-operated locking device. While it can help provide secure storage for your unloaded firearm, any locking device can fail. All guns are designed to fire if they are loaded and the trigger is pulled. Therefore, never install the locking device inside the trigger guard or in any way that it can possibly pull the trigger! Do not leave the keys in the lock. The ultimate responsibility for secure storage of any firearm must depend upon its owner and his or her individual circumstances. Guns should be securely stored unloaded, in a secure location, separate from their ammunition.

**INSTRUCTION FOR USE:** Read and understand this manual before removing this firearm from its package. Pay special attention to safety instructions and procedures, which appear in the safety chapter of this manual. Failure to adhere to safety information could result in property damage, personal injury or death,

**Note:** Always assume that this rifle or any other firearm is loaded and capable of being discharged until the magazine is removed and you have inspected the chamber and completed the unloading procedures.

To reduce the possibility of an accidental discharge, do not place your finger on the trigger until the firearm is pointed at your intended target. Any firearm, including this rifle should be considered dangerous and must not be accessible to unauthorized persons especially children.

**Caution:** Prior to loading and firing, carefully read all instructions in this safety manual for basic advice on the proper handling and functioning of this firearm. Your safety and the safety of others (including your family) depend on your mature compliance with this advice and your adoption, development and constant employment of SAFE PRACTICES, If unfamiliar with firearms in general, seek further advice through safe-handling courses run by your local gun clubs, from approved instructors or from similarly qualified organizations.

**SAFETY INSTRUCTIONS:** We want you to enjoy shooting your rifle but we want you to enjoy it safely. You may already be an experienced safe shooter, familiar with the procedures in this instruction manual, or you may never have handled a firearm before. Either way, we urge you to read this entire instruction manual carefully. It is essential to follow the instructions for your safety and the safety of others.

**WARNING:** This rifle has several mechanical safety features, all designed to prevent an accidental discharge should the rifle be dropped or receive a severe blow. Therefore, extra care and strict adherence to the safety instructions and other instructions contained within this manual are mandatory for minimizing the risk of accidents. However, like any other mechanical device, when subjected to extreme forces not normally encountered in sport shooting, law enforcement or military use, a partial failure could occur. The proper and safe function of this rifle is based on the premise that no parts are not altered or modified, and that the rifle is used for its intended purpose.

## GENERAL PRECAUTIONS

1. Always handle your rifle as if it were loaded so that you never fire accidentally.
2. Never point your rifle at anything you do not intend to shoot.
3. Never take anyone's word that a firearm is unloaded. Check for yourself with your finger off the trigger and the gun pointed in a safe direction.
4. Always be sure the barrel and action are clear of obstructions. Clear obstructions immediately so that the rifle will function correctly and safely.
5. Never squeeze the trigger or put your finger in the trigger guard until you are aiming at the target you intend to shoot.
6. For storage: Unload the firearm, then, after verifying that the firearm chamber is empty and the magazine is out, point the rifle in a safe direction and pull the trigger. Store the firearm in a secured place away from children.
7. Never shoot at a hard surface such as a rock or a liquid surface such as water. A bullet may ricochet and travel in any direction.
8. Always be sure your backstop is adequate to stop and contain bullets before beginning target practice.
9. Always be absolutely sure of your target and the area behind it before you squeeze the trigger. A bullet could travel through or past your target for up to 1 1/2 miles. If in doubt, do not shoot.

10. Always place a responsible and competent person in charge to maintain safety, discipline, and control when a group is firing on a range to reduce the likelihood of accidents.
11. Always carry your rifle empty and open while on a public or club range until preparing to fire. Keep it pointed towards the backstop during loading firing and unloading.
12. Never leave a rifle unattended. Someone, especially a child, may fire it believing it to be a toy.
13. Never use your rifle if it fails to function properly, and never force a jammed action as the jammed round may explode.
14. Failure to fire: always hold the rifle pointed towards the target and wait 30 seconds should the rifle fail to fire. If a hang fire (slow ignition) has occurred, the round will fire within 30 seconds. If the round does not fire, remove magazine, eject round and examine primer. If firing pin indent on primer is light off center or nonexistent, have the rifle examined by a competent gun smith. If firing pin indent on primer appears normal (in comparison with similar previous fired rounds) assume faulty ammunition and empty cases. Reload and carry on firing. NOTE: Dispose of mis-fired rounds in accordance with ammunition manufacturer's instructions.
15. Never fire your rifle near an animal unless it is trained to accept the noise. An animal's startled reaction could injure it or cause an accident.
16. Never walk, climb, follow a companion or hunt with your rifle ready to fire.
17. Never drink alcoholic beverages or take drugs before or during shooting. Your vision and judgement could be seriously impaired, making firearm handling unsafe.
18. Always seek your doctor's advice if you are taking medication to be sure you are fit to shoot and handle your firearm safely.
19. Always wear ear protection when shooting.
20. Always wear protective shooting glasses for eye protection.
21. Always make sure your rifle is not loaded before cleaning, storing, traveling or handling it to another person.
22. Always keep clear and keep others clear of the ejection port as spent cartridges are ejected with enough force to cause injury. Never place fingers in ejection port or on hot slide or barrel during or after firing as they could be burned by hot metal.
23. Never place fingers in ejection port as they could be injured.
24. Use only high quality, commercially manufactured ammunition in excellent condition and in the caliber of your rifle. Use of reloaded ammunition will void the warranty.

**CAUTION: TO MINIMIZE RISK OF UNINTENTIONAL DISCHARGE AND DAMAGE, LOAD LIVE AMMUNITION INTO RIFLE ONLY WHEN YOU ARE ABOUT TO SHOOT.**

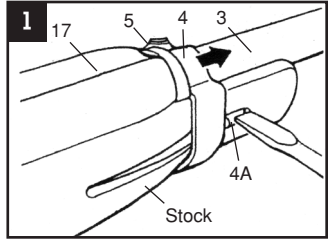
**NOTICE:** Auto-Ordnance shall not be responsible for injury, death, or damage to property resulting from either intentional or accidental discharge of this firearm or from its function when used for purposes or subjected to treatment for which it was not designed. Auto-Ordnance will not honor claims involving this firearm that result from careless or improper handling, unauthorized adjustment or parts replacement, corrosion, neglect, the use of wrong caliber ammunition, the use of ammunition other than original high quality commercially manufactured ammunition in good condition or any combination thereof.

Auto-Ordnance will not honor claims involving this firearm for any reason when the second or subsequent owner makes such a claim.

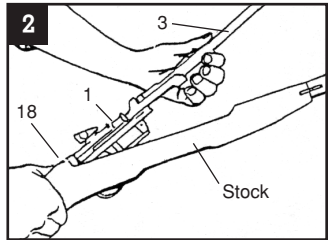
**IMPORTANT:** This firearm was tested carefully, inspected and packaged before leaving the factory. Auto-Ordnance cannot control product handling after it leaves the factory. Therefore, please examine this firearm carefully at the time of purchase to ensure that it is unloaded and undamaged. The dealer will be pleased to assist you in making the examination and endeavor to answer your further questions. This instruction manual should always accompany this firearm and be transferred with it upon change of ownership.

# DISASSEMBLY PROCEDURE

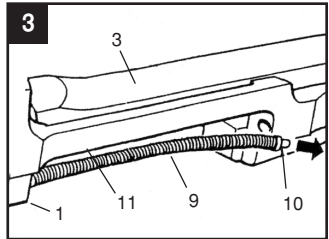
1 Before removing front band (4), front band spring (4A) must be depressed as shown, using tip of screwdriver blade or small punch. Slide the band forward until it is clear of the stock and of the hand-guard (17).



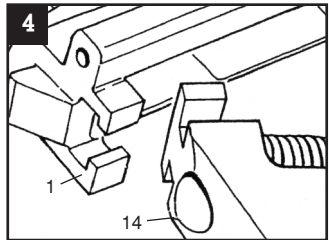
2 To separate barrel and receiver from stock, grasp stock in right hand as shown and lift front of barrel upward until the rear end of the receiver is free of the recoil plate (18) in the stock.



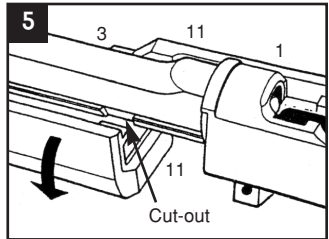
3 Pull operating slide spring (9) and guide (10) to rear slightly until guide is clear of hole in slide (11). Move guide and spring to right as shown in order to clear slide and withdraw guide and spring to front, pulling spring out of its hole in the front end of the receiver.



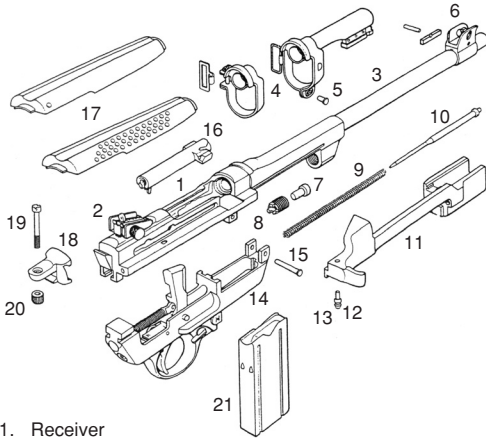
4 After removing trigger housing retaining pin (15), trigger housing (14) must be pushed forward until lugs at rear of housing are clear of slots in underside of receiver as shown.



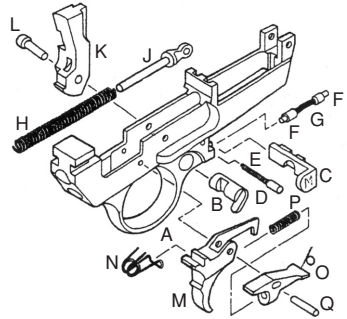
5 After disengaging lug at rear of operating slide (11) from retaining groove at right of receiver, move slide forward to position shown and rotate counterclockwise to disengage the lugs at the slide from the cut-out in barrel as shown in illustration #5. Remove slide. Slide bolt (16) to rear about 1 inch or more and twist bolt to the left while pulling forward and upward. Turn bolt so lug on rear of firing pin will clear the cut-out in the rear of receiver and remove bolt.



# EXPLODED PARTS DRAWING (M1 CARBINE)



1. Receiver
2. Rear sight assembly
3. Barrel (with integral gas cylinder lug)
4. Front band assembly (with and without Bayonet lug)
5. Front band screw
6. Front sight assembly
7. Piston
8. Piston nut
9. Operating slide spring
10. Operating slide spring guide
11. Operating slide
12. Operating slide stop pin
13. Operating slide stop spring
14. Trigger housing assembly
15. Trigger housing retaining pin
16. Bolt assembly
17. Handguard assembly (wood or metal)
18. Recoil plate
19. Recoil plate screw
20. Recoil plate screw escutcheon  
(contained in underside of stock)
21. Magazine assembly



## Trigger Assembly

- A. Trigger housing
- B. Safety
- C. Magazine catch
- D. Magazine catch spring
- E. Magazine catch spring plunger
- F. Safety detent plungers (2)
- G. Safety detent plunger spring
- H. Hammer spring
- J. Hammer spring plunger
- K. Hammer
- L. Hammer pin
- M. Trigger
- N. Trigger spring
- O. Sear
- P. Sear spring
- Q. Trigger pin

# Limited One-Year Warranty

## Auto-Ordnance M1 Carbine

This "LIMITED ONE-YEAR WARRANTY" has been drafted to comply with the MAGNUSON-MOSS WARRANTY FEDERAL TRADE COMMISSION IMPROVEMENT ACT which is effective for goods manufactured on or after December 31, 1976.

KAHR ARMS / AUTO-ORDNANCE warrants that this firearm was originally manufactured free of defects in material or workmanship. For one year from date of purchase of the original purchaser, KAHR ARMS agrees to correct any defect in this firearm for the original purchaser by repair or replacement (with same or comparable quality model). A service and/or handling charge may be applied.

THIS WARRANTY IS VOID IF THE FIREARM HAS BEEN ABUSED, MISUSED, DAMAGED BY ACCIDENT, FIRED WITH HANDLOADED AND/OR RELOADED OR IMPROPER AMMUNITION OR WITH AN OBSTRUCTION IN THE BARREL, OR DAMAGED THROUGH FAILURE TO PROVIDE REASONABLE AND NECESSARY MAINTENANCE AS DESCRIBED IN THIS MANUAL. THIS WARRANTY DOES NOT APPLY TO NORMAL WEAR OF ANY PARTS, INCLUDING METAL, WOOD, PLASTIC, RUBBER AND OTHER MATERIAL'S SURFACE FINISH OR IF UNAUTHORIZED REPAIR AND/OR ALTERATION HAS BEEN PERFORMED.

The terms of the Warranty cannot be changed except in writing by an officer of KAHR ARMS.

Wholesalers and Dealers (unless a KAHR ARMS authorized Warranty repair station) are not authorized to make any Warranty repair or adjustment on behalf of KAHR ARMS.

This Warranty gives only the original retail purchaser specific legal rights. Other rights may also be available which may vary from state to state.

Should repair be required for this firearm, contact Kahr Customer Service at Tel: **(508) 795-3919** or Fax: (508) 795-7046 and request a "Return Authorization" Number. Provide full details of the defect or malfunction, date of purchase and dealer from whom the firearm was purchased. Then, send the unloaded firearm, prepaid via UPS AIR or FEDEX for handguns or UPS GROUND for rifles, with a copy of the sales receipt and "Return Authorization" Number to:

**Kahr Arms – Service Dept.  
130 Goddard Memorial Drive  
Worcester, MA 01603**

E-mail Address: [service@kahr.com](mailto:service@kahr.com)

Web Address: [www.kahr.com](http://www.kahr.com) / [www.tommygun.com](http://www.tommygun.com)