

OWNER'S MANUAL

TO BE USED FOR AUTO-ORDNANCE 1911 MODELS

KAHR
ARMS

Thompson

Maker of the world famous
"TOMMY GUN"



Model: 1911PKZ (WWII Parkerized)

Model: T1911 (Standard)

Model: 1911WGS (Deluxe)

Model: 1911C (Mid size, Standard)



As the owner of a firearm, you must undertake the full-time responsibility of safe firearm handling for your own safety and the safety of those around you. Before handling any firearm read and understand the information contained in its owner's manual.



Be certain this owner's manual is available for reference and is kept with this firearm if transferred to another party. If the manual is lost or misplaced, write directly to Kahr Arms for a free replacement copy.

**SAFETY AND SAFE FIREARM HANDLING
IS EVERYONE'S RESPONSIBILITY.**

KAHR ARMS: P.O. Box 220, Blauvelt, NY 10913
Sales & Marketing: 845-353-7770 / Fax: 845-353-7833
Customer Service: 508-795-3919 / Fax: 508-795-7046
Web Address: www.kahr.com / www.tommygun.com

KAHR
ARMS

TABLE OF CONTENTS

Contents	Page
USER SAFETY WARNINGS & RESPONSIBILITY	3
LOCKING DEVICES	5
NOMENCLATURE (AUTO-ORDNANCE 1911 MODELS)	6
SAFETY FEATURES	7
AMMUNITION	8
LOADING THE MAGAZINE	9
LOADING THE PISTOL	10
CONDITIONS OF CARRY FOR THE AUTO-ORDNANCE 1911 PISTOL	10
UNLOADING THE PISTOL	11
FIRING THE AUTO-ORDNANCE 1911 PISTOL	12
DISASSEMBLY OF THE AUTO-ORDNANCE 1911 MODELS FOR ROUTINE CLEANING	13
REASSEMBLY OF THE AUTO-ORDNANCE 1911 MODELS	14
MAGAZINE INSPECTION AND CARE	15
CARE AND CLEANING OF THE PISTOL	17
SERVICE INSTRUCTIONS - PARTS INFORMATION & ORDERS	18
SHIPPING FIREARMS FOR SERVICE	19
THE BASIC RULES OF SAFE FIREARMS HANDLING	20
PARTS LIST & EXPLODED VIEW, MODEL: 1911PKZ, T1911, 1911C and 1911WGS ..	22-23
WARRANTY	Back Cover

AUTO-ORDNANCE 1911 MODELS AND SPECIFICATIONS included in this manual

Model: 1911PKZ (WWII Parkerized)	Model: T1911 (Standard)	Model: 1911C (Mid size)	Model: 1911WGS (Deluxe)
Caliber:45 ACP	Caliber: 45 ACP	Caliber: 45 ACP	Caliber: 45 ACP
Barrel:5"	Barrel (Standard):5"	Barrel (Mid size):5"	Barrel:5"
Length:8 1/2" overall	Length:8 1/2" overall	Length:8 1/2" overall	Length:8 1/2" overall
Weight:39 oz.	Weight:39 oz.	Weight:39 oz.	Weight:39 oz.
Sight:Blade front, rear drift adjustable for windage	Sight:Blade front, rear drift adjustable for windage	Sight:Blade front, rear drift adjustable for windage	Sight:Hi-profile 3 white dot system
Grip:Brown checkered plastic	Grip:Brown checkered plastic with medallion	Grip:Brown checkered plastic with medallion	Grip:Black textured, rubber wrap-around with medallion
Finish:Parkerized	Finish:Matte Black	Finish:Matte Black	Finish:Matte Black
Construction (Slide):4140 chrome-moly steel casting	Construction (Slide):4140 chrome-moly steel casting	Construction (Slide):4140 chrome-moly steel casting	Construction (Slide):4140 chrome-moly steel casting
Construction (Frame):4140 investment casting	Construction (Frame):4140 investment casting	Construction (Frame):4140 investment casting	Construction (Frame):4140 investment casting
Magazine Capacity:7-shot	Magazine Capacity:7-shot	Magazine Capacity:7-shot	Magazine Capacity:7-shot

USER SAFETY WARNINGS & RESPONSIBILITY

IMPORTANT "SAFETY WARNINGS" -- NOTE THE SYMBOL



These safety warnings are for your protection as well as the safety of others. Disregarding information in this manual may result in serious injury or death.



STOP! Do not attempt to load or use any firearm until you read and understand the information contained in its owner's manual. Before handling your firearm, you should learn how it operates and how to maintain it. This includes knowing its basic parts, how the safety features operate, how to safely open and close the action and how to safely load and unload ammunition from the firearm. Improper use and handling is dangerous and could cause severe injury or death to you or those around you. All users of the firearm must become thoroughly familiar with the instructions in this manual.

Be certain this owner's manual is available for reference and is kept with this firearm if transferred to another party. If the manual is lost or misplaced, write directly to Kahr Arms for a free replacement copy.



As the owner of a firearm, you must undertake the full-time responsibility of safe firearm handling for your own safety and the safety of those around you:

- Keep all firearms and ammunition out of the reach of children.
- Store your firearms and ammunition separately.
- Never store a loaded firearm.
- Never leave a loaded firearm unattended.
- Never transport a loaded firearm in a vehicle.



REMEMBER: A firearm's safety features are mechanical devices which can never replace safe firearm handling. Safe firearm handling depends on you!



Always point the muzzle of your firearm in a safe direction, regardless of whether the firearm is loaded or unloaded. You should become thoroughly familiar with the function and operation of this firearm and the instructions supplied with it.



Always treat every firearm as if it were loaded. Always give your firearm to someone with the action open after you verify the firearm is unloaded. Insist on the same procedure when receiving a firearm from someone else. Learn the location of all the safety features of your firearm and how they operate.

You have a responsibility to obtain proper training on how to use and maintain your firearm. Certified and reputable safety courses and instructions are offered by the National Rifle Association (NRA) as well as by state and local organizations. You also have a responsibility to know and obey all local, state and federal laws governing the use, possession and transportation of firearms.



To protect yourself and others from injury, use the correct ammunition referenced by the markings on the barrel. Auto-Ordnance firearms are designed, manufactured and proof tested to recommended Sporting Arms and Ammunition Manufacturers Institute (SAAMI) standards for factory loaded ammunition. We specifically disclaim responsibility for any damage or injury whatsoever occurring in connection with, or as the result of, the use in Auto-Ordnance firearms of cartridges other than those for which the firearm was originally chambered. Additionally, we disclaim any responsibility for damage or injury which results from any modifications or changes that are not a part of the firearm as delivered from the factory.



Learn how to clean your firearm thoroughly and make certain no oil, grease or other materials are blocking the barrel. Obstructions of any kind can cause damage to the firearm resulting in personal injury.

Practice proper firearm maintenance and safety. Make sure all exposed metal surfaces are coated with a thin film of oil, especially after being exposed to damp weather. (See proper section of this manual for cleaning instructions). Before using after storage, follow complete instructions stated in this manual for familiarization with the firearm. A thorough inspection should be performed before shooting the firearm.



Wear eye and ear protection when shooting. Shooting without proper ear protection can cause hearing damage. The use of eye protection during any type of shooting is important to protect your vision.



Never climb or jump over an obstacle with a loaded firearm. Never pull a firearm toward you by the muzzle. Never shoot towards a flat, hard surface or water. Always be sure of your target and what is beyond it.



When handling your firearm, never allow fingers or any object to touch the trigger until you are ready to shoot.



The safety should always be "on" until you are ready to shoot. It is a mechanical device and should never be used as an excuse for careless handling or unsafe practices.



Make sure you read, understand and follow the firearm safety rules that are listed in this manual.



The use of a locking device or safety lock is only one aspect of responsible firearm storage. Firearms should be stored unloaded and locked in a location that is both separate from their ammunition and inaccessible to children and other unauthorized persons.



LOCKING DEVICES

This firearm was originally sold with a key-operated locking device. While it can help provide secure storage for your unloaded firearm, any locking device can fail. All guns are designed to fire if they are loaded and the trigger is pulled. Therefore, never install the locking device inside the trigger guard or in any way that it can possibly pull the trigger! Do not leave the keys in the lock.

The ultimate responsibility for secure storage of any firearm must depend upon its owner and his or her individual circumstances. Guns should be securely stored unloaded, in a secure location, separate from their ammunition.



PICTURE #1



IT IS IMPERATIVE THAT YOU KEEP THIS FIREARM LOCKED IN A SECURE PLACE AND TAKE OTHER STEPS NECESSARY TO LIMIT THE POSSIBILITY OF THEFT OR ACCIDENT. FAILURE TO TAKE REASONABLE PREVENTIVE STEPS MAY RESULT IN INNOCENT LIVES BEING LOST AND, IN SOME CIRCUMSTANCES MAY RESULT IN YOUR LIABILITY FOR THESE DEATHS.

Barrel Bushing
Barrel
Front Sight
Recoil Spring Plug



Auto-Ordnance Corporation

**Model: 1911PKZ
(WWII Parkerized)**



NOMENCLATURE

Safety Features

Auto-Ordnance Model 1911 semi-automatic pistols incorporate several positive safety devices which, if properly employed, reduces the danger of accidental discharge.

Trigger Guard

The trigger guard is a metal loop that surrounds the trigger, protecting it from damage or accidental discharge.

Thumb Safety

The thumb safety is located on the left rear of the pistol just below the slide. To operate the thumb safety pull the slide to its most rearward position and release. Then push the thumb safety upward until it fully engages the thumb safety notch (see picture #3). The slide is prevented from moving rearward and an internal cam surface engages the sear preventing the hammer from moving forward when the trigger is squeezed. The thumb safety cannot be engaged unless the hammer is fully cocked and the slide is fully forward.

To disengage, move the thumb safety fully downward until it is completely down. When the thumb safety is down, the sear is free to release the hammer to fire the pistol when it is properly gripped and the trigger is squeezed (see picture #2).



THUMB SAFETY DISENGAGED



THUMB SAFETY ENGAGED

Grip Safety

The grip safety is located on the upper rear part of the frame (see picture on page 6). The grip safety is automatically applied by spring action to prevent rearward travel of the trigger unless the pistol grip is firmly and properly grasped. The front of the grip safety (inside the pistol frame) is in contact with the rear of the trigger to prevent its rearward travel. When the pistol grip is positively grasped, the grip safety is rotated out of contact with rear of trigger to allow trigger movement.

Disconnecter

This safety device prevents a round from being fired before it is in the chamber with the slide and barrel locked. When the slide is not fully forward, the disconnecter is depressed; its lower part disengages the sear, so that the hammer cannot be released if the trigger is squeezed. However, when the slide and barrel are locked, a spring pushes the disconnecter up into a recess in the slide. This links the trigger and sear so that the pistol can be fired by squeezing the trigger.



NEVER ATTEMPT TO CHECK OR DEMONSTRATE THE DISCONNECTOR FUNCTION WITH A LOADED PISTOL. PUSHING ON THE MUZZLE WITH YOUR HAND OR ANY OTHER PORTION OF THE BODY IS EXTREMELY DANGEROUS AND COULD RESULT IN ACCIDENTAL DISCHARGE CAUSING INJURY, DEATH OR DAMAGE TO PROPERTY.

Hammer Safety Stop

The hammer safety stop is a notch on the hammer which prevents it from falling fully forward in the event of a primary sear notch failure. It also prevents the hammer from hitting the firing pin should your fingers slip from the slide or hammer while cocking the pistol, provided the hammer has been moved past the stop. The safety stop is not a manual safety. Never under any circumstances use the safety stop as a "half cock" position. This misuse can result in damage to the sear, and/or unintentional discharge of the pistol. The safety stop position is an automatically engaging safety feature and should never be engaged by hand.



CONTROL HAMMER WITH YOUR THUMB AND ALWAYS POINT PISTOL IN A SAFE DIRECTION WHEN SQUEEZING THE TRIGGER TO LOWER THE HAMMER. THIS WILL PREVENT ACCIDENTAL INJURY OR DEATH IN THE UNLIKELY EVENT OF A PISTOL DISCHARGE. LOWERING THE HAMMER IN THIS WAY SHOULD BE DONE ONLY WHEN THE CHAMBER IS EMPTY.

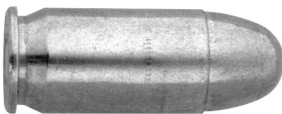
Inertia Firing Pin

The firing pin, which is shorter than its housing, is held to the rear by a spring and cannot protrude through the breech face unless a hammer blow overcomes the spring force and the inertia of the pin.

Ammunition



FOR PROPER FUNCTIONING IN ALL AUTO-ORDNANCE .45 CALIBER HANDGUNS WE RECOMMEND THE USE OF 230 GRAIN .45 ACP BALL AMMUNITION ONLY.



Recommended Ammunition
230 grain .45 ACP BALL ammunition



AMMUNITION (CARTRIDGE) NOTICE

Death, serious injury, and damage can result from the use of wrong ammunition, bore obstructions, powder overloads, or incorrect cartridge components. Even the strongest firearm can be "blown up" as a result of excess pressure. Always wear shooting glasses and hearing protectors. We specifically disclaim responsibility for any damage or injury whatsoever occurring in connection with, or as the result of, the use in Auto-Ordnance firearms of cartridges other than those for which the firearm was originally chambered.



LEAD EXPOSURE

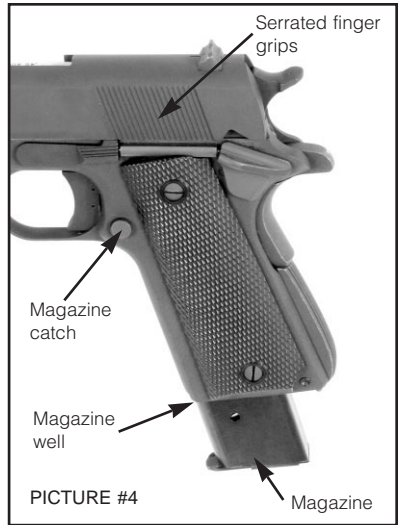
Discharging firearms in poorly ventilated areas, cleaning firearms, or handling ammunition may result in exposure to lead and other substances known to the state of California to cause birth defect, reproductive harm, and other serious physical injury. Have adequate ventilation at all times. Wash hands thoroughly after exposure.

Loading the Magazine

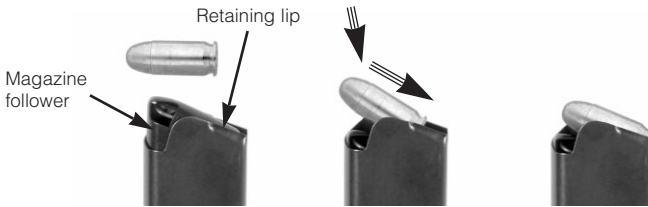
Use only factory loaded ammunition of the proper caliber manufactured to US Industry and SAAMI specifications, referenced by markings on barrel. (See Notice and Warnings on page 4 of this manual pertaining to Ammunition).

Examine the recommended ammunition, particularly on and around the primer. Look for dents, scratches, and other signs of damage. Do not load damaged ammunition.

To release the empty magazine from the frame, hold your hand under the magazine and push the magazine catch which is located on the left side of the frame behind the trigger. This will cause the magazine to fall free of the magazine well. (See picture #4)



To load the magazine, place the round at the top (open end), push down and back making sure that the back of the cartridge is facing the rear of the magazine. Repeat until magazine is loaded, but do not exceed its capacity. For magazine capacity, see page 2 under Specifications.



TO MINIMIZE RISK OF UNINTENTIONAL DISCHARGE, LOAD LIVE AMMUNITION INTO PISTOL ONLY WHEN YOU ARE READY TO SHOOT.



DAMAGED, NON-STANDARD, OR IMPROPERLY ASSEMBLED MAGAZINES SHOULD NEVER BE USED. THEY CAN CAUSE A MALFUNCTION, SERIOUS INJURY OR DEATH.

Loading the Pistol

Practice this important aspect of firearm handling with an unloaded handgun until you can perform each of the steps described below. This procedure begins with an empty handgun with the magazine out.

1. Be certain the muzzle is pointed in a safe direction.
2. Hold pistol grip with one hand. Keep other hand clear of ejection port and grasp serrated finger grips on both sides of slide. Pull slide back approx. 1/4" and look in chamber to ensure it is empty; allow slide to return fully forward. In the case of the slide going fully to the rear, release cocked hammer by squeezing trigger after ensuring chamber is empty.
3. Insert loaded magazine into magazine well with bullets pointing forward, and push up until the magazine is fully seated. A click will be heard when this is done properly as the magazine catch engages.
4. When you are ready to shoot, grip the slide as described in step 2 above and pull it fully rearward to cock the hammer and then release. Do not "ride" the slide down to the forward position. Allow the slide to snap forward under full tension of the recoil spring. Keeping your hand on the slide may cause a misfeed or prevent the slide from fully closing. Racking the slide back and releasing it will cock the hammer, strip off the top round in the magazine and chamber it. The pistol is now loaded, cocked and ready to fire.
5. Keep muzzle pointed in a safe direction and engage the thumb safety until you are ready to shoot. Always unload immediately after use and before storage.



NEVER LEAVE THE PISTOL COCKED AND READY TO FIRE, AS IN STEP 4 ABOVE, AS THIS CONDITION IS EXTREMELY DANGEROUS; THE PISTOL COULD EASILY BE ACCIDENTALLY DISCHARGED, CAUSING INJURY, DEATH, OR DAMAGE TO PROPERTY.

Conditions of Carry for the Auto-Ordnance 1911 Pistol

This pistol may be carried in any one of the following three conditions according to your needs:

Condition One - Magazine empty, Chamber empty.

The pistol cannot be discharged in Condition One.

Use Condition One for storage, transporting, cleaning, repair, demonstrating and dry practice.

Condition Two - Magazine loaded, chamber empty, hammer down.

The pistol cannot be fired until the slide is racked and the trigger is squeezed.

Use Condition Two when carrying the pistol ready for use.

Condition Three - Magazine loaded, chamber loaded, hammer cocked, safety on. Proper training from NRA certified firearm instructors must be received prior to carrying the firearm in this condition. The pistol can be fired when the thumb safety is off and the trigger is squeezed. Use Condition Three when you must be prepared to use the pistol immediately without warning.

Unloading the Pistol



WARNING: THE UNLOADING SEQUENCE MUST BE FOLLOWED EXACTLY AS SPELLED OUT. FAILURE TO DO SO CAN RESULT IN THE HANDGUN'S CHAMBER BECOMING UNINTENTIONALLY LOADED WITH A CARTRIDGE.

1. Always keep the muzzle pointed in a safe direction at all times and keep the fingers outside the trigger guard. Keep hands away from muzzle and ejection port.



WARNING: EVEN THOUGH THE MAGAZINE HAS BEEN REMOVED, A CARTRIDGE REMAINING IN THE CHAMBER CAN STILL BE FIRED. ALWAYS VISUALLY CHECK THE CHAMBER.

2. Place your hand under magazine to prevent it from falling and press magazine catch to release and eject magazine.

(NOTE: If the slide is fully rearward, step 3 does not apply.)

3. Using the serrated finger grips pull the slide sharply rearward to extract and eject a round from the chamber. Keep your hands clear of the ejection port to allow the round to eject without obstruction. Examine the previously chambered round for any damage; if damaged, dispose of ammunition properly.

4. Keep the pistol pointing in a safe direction, allow the slide to return forward on an empty chamber and squeeze the trigger to allow the hammer to fall forward. If the slide is held to the rear by the slide stop, pull the slide back slightly, then ease the slide forward. Repeatedly allowing the slide to slam closed on an empty chamber will cause premature wear and should be avoided.

5. To remove any remaining rounds from the magazine, push the cartridges forward until they clear the retaining lips.



IT IS IMPERATIVE THAT YOU KEEP THIS FIREARM LOCKED IN A SECURE PLACE AND TAKE OTHER STEPS NECESSARY TO LIMIT THE POSSIBILITY OF THEFT OR ACCIDENT. FAILURE TO TAKE REASONABLE PREVENTIVE STEPS MAY RESULT IN INNOCENT LIVES BEING LOST AND, IN SOME CIRCUMSTANCES MAY RESULT IN YOUR LIABILITY FOR THESE DEATHS.

Firing the Auto-Ordnance 1911 Pistol



ALWAYS WEAR EYE AND EAR PROTECTION WHEN SHOOTING.

1. Point the muzzle in a safe direction and do not touch the trigger.
2. Load the pistol as previously described on page 10.
3. Grasp pistol by the grip and, with the index finger resting along the outside of the trigger guard, take aim. Aim by aligning the target with the front and rear sights. After identifying your target and seeing that it is clear to shoot, focus on the front sight. Be sure of the bullet stop behind your target. Take the time to be absolutely certain of your target and what is beyond it before you pull the trigger.
4. Release the thumb safety by pressing it down out of engagement with the thumb safety notch.
5. Keeping a steady aim, place the index finger on trigger and squeeze gently until the hammer falls.
6. This is a semi-automatic pistol and will recock the hammer, eject the empty cartridge and chamber a new round. It will continue to fire with each subsequent pull of the trigger until all the rounds in the magazine have been fired.
7. Continue procedure until the magazine is empty and the slide is locked open.



THIS PISTOL DOES NOT HAVE A MAGAZINE DISCONNECT AND CAN BE FIRED WITHOUT A MAGAZINE IN PLACE.

8. If all the rounds have not been fired and you wish to stop shooting, immediately engage thumb safety and follow procedures for unloading as previously described on page 11. However, if you have fired the last round from the magazine the slide will stay to the rear and you will be unable to apply the thumb safety.



IF THE PISTOL FAILS TO FIRE, HOLD IT, KEEPING IT POINTED TOWARD THE TARGET OR SAFE OPEN AREA AND WAIT 30 SECONDS. IF A HANG FIRE OR SLOW IGNITION HAS OCCURRED, THE ROUND WILL FIRE WITHIN 30 SECONDS. IF THE ROUND DOES NOT FIRE, REMOVE THE MAGAZINE, EJECT THE ROUND AND INSPECT PRIMER. IF THE FIRING PIN INDENT ON THE PRIMER IS LIGHT, OFF CENTER OR NONEXISTENT, HAVE THE PISTOL EXAMINED BY A COMPETENT GUNSMITH BEFORE FIRING AGAIN. IF THE FIRING PIN INDENT APPEARS NORMAL ASSUME FAULTY AMMUNITION AND SEGREGATE THE MISFIRED ROUND FROM OTHER LIVE AMMUNITION.

Disassembly of the Auto-Ordnance 1911 Models for Routine Cleaning



WARNING: MAKE SURE YOUR HANDGUN IS UNLOADED BEFORE STARTING THIS PROCEDURE.



WEAR SAFETY GLASSES IN CASE YOU LOSE CONTROL OF A SPRING LOADED COMPONENT SUCH AS THE RECOIL SPRING OR PLUG WHICH COULD INJURE YOUR EYES.

1. Always make sure the magazine is removed and the pistol is not loaded. The pistol should be cleaned after every use and when exposed to dirt, sand, etc.

2. With the muzzle pointing upward, rest the pistol on heel of butt and the grip safety on a table or bench.

3. Push the slide back about 1/4 inch, press down on recoil spring plug (located just below the muzzle) and at the same time rotate the barrel bushing clockwise about 1/4 turn, using a barrel bushing wrench if necessary; this will free the plug and recoil spring. Keep pressure on the plug to prevent it from being ejected by the spring. Then allow plug and spring to gradually extend out of the slide. (See picture #5).

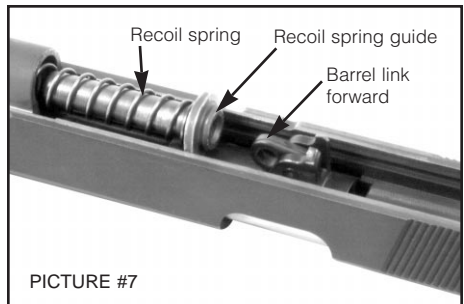
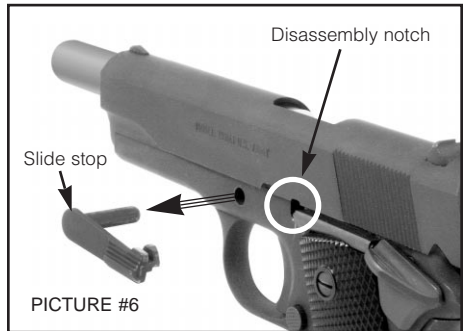
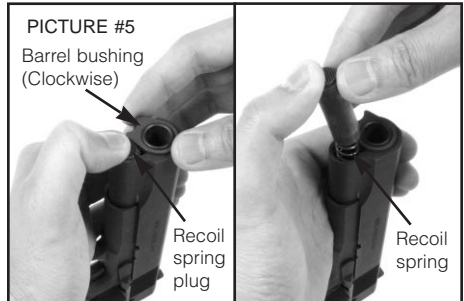
4. Remove the plug from the spring.

5. Cock hammer by pulling back on the hammer spur.

6. Pull slide to rear until lug on slide stop is opposite disassembly notch (see picture #6) and push inward on the end of the slide stop shaft on the right side of the pistol and remove the slide stop from the left side.

7. Push slide forward off the frame.

8. Turn the slide upside down and lift the recoil spring and guide and pull them rearward out of the slide (see picture #7).



9. Turn barrel bushing counterclockwise, push barrel and barrel bushing forward until bushing is clear of the slide, then remove bushing from the barrel.

10. Push barrel link forward and remove barrel from the slide.

NOTE: Do not drop the hammer while slide is removed from the frame.



DO NOT STRIP YOUR PISTOL ANY FURTHER THAN PREVIOUSLY DESCRIBED. DO NOT REMOVE OR ALTER PARTS, PARTICULARLY SAFETY PARTS. IF ADDITIONAL MAINTENANCE IS REQUIRED SEE "SHIPPING FIREARMS FOR SERVICE " ON PAGE 19.

Reassembly of the Auto-Ordnance 1911 Models after Routine Cleaning

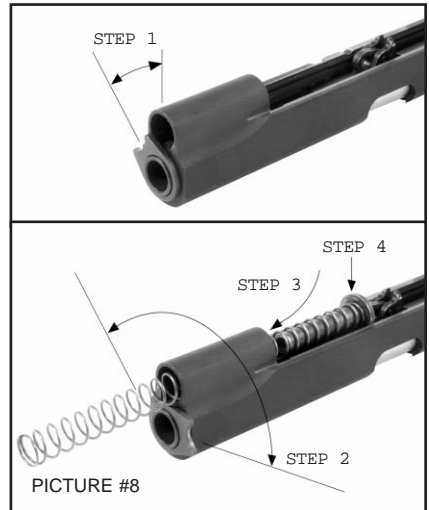


WARNING: ONCE AGAIN MAKE SURE YOUR AUTO-ORDNANCE HANDGUN AND MAGAZINE IS UNLOADED BEFORE STARTING THIS PROCEDURE.

1. With the slide upside down and the barrel link forward, assemble barrel into the slide (see picture #8).

2. Place barrel bushing over muzzle of barrel and into slide until it is flush with the face of the slide (STEP 1). Turn bushing clockwise as far as it will go (STEP 2).

3. Place the recoil guide into the recoil spring so that the open end of the spring is up against the collar of the guide. Assemble the recoil spring and guide into the slide by pushing the end of the spring through the slide from the rear (STEP 3). Position the arched portion of the recoil spring guide over the outside surface of the barrel directly in front of the barrel link (STEP 4).



4. Cock the hammer. Look through the slide stop hole in the side of the frame. Move the slide along the frame until you see the hole in the barrel link line up with the hole in the side of the frame. Insert the slide stop through the hole until it is almost fully inserted. Continue pushing the slide rearward until the disassembly notch lines up with the rear part of the slide stop. Now push the slide stop up and in against the slide stop plunger until the slide stop is fully inserted.

5. Bring the slide fully forward and rest the pistol on a table or bench with the muzzle pointing upward.

6. Insert the recoil spring plug onto the recoil spring. Push the slide back about 1/4 inch, press down on the recoil spring plug, compressing the recoil spring into the slide until the plug is fully home, then rotate the barrel bushing. Align the arched part of the bushing so that it straddles the recoil spring plug and locks in place.



YOU COULD DAMAGE YOUR PISTOL WHEN YOU FIRE, OR ATTEMPT TO FIRE IF THE RECOIL SPRING PLUG IS NOT CORRECTLY SEATED AND LOCKED AS DESCRIBED IN #6 ABOVE.

7. After assembling the pistol, check its function as follows:

With the magazine removed, pull the slide back fully and let it go. It should fly forward and close over the empty chamber. The hammer should stay cocked. Push the safety up and squeeze the trigger. The hammer should stay cocked. Push the safety down and squeeze the trigger. The hammer should fall. Pull the hammer back slightly without touching the trigger. You should hear a click as the sear slips on to the safety shelf. Now squeeze the trigger again and note that the hammer should stay cocked.

Insert an empty magazine. Pull the slide back fully and let it go. It should NOT fly forward. Look into the ejection port at the breech face. Make sure the firing pin is not sticking through the hole. Hold the slide, push down on the slide stop and ease the slide fully forward. Put your thumb on the hammer, squeeze the trigger and ease the hammer forward.



IF YOU FIND THE FIRING PIN STICKING FORWARD OR IF YOUR PISTOL DISCHARGES WHEN YOU CLOSE THE SLIDE, DO NOT USE IT. RETURN IT TO THE FACTORY.

Do these checks only after you strip and assemble the pistol. Do not slam the slide forward at any other time, except when loading. If you rack the slide when the pistol is unloaded, control it with your hand.

Magazine Inspection and Care

Check your magazine frequently to insure it is in proper working condition. The follower must move freely and have adequate spring tension so that each cartridge is quickly lifted to the feeding position.

To check the spring tension, load one cartridge into the magazine and then firmly press against the cartridge case. Remove your finger quickly. The cartridge should instantly and fully move into the feeding position. If it does not, the magazine should be cleaned. If cleaning does not restore proper spring tension do not use the magazine.

Should cleaning be necessary use a high quality gun cleaning solution that will not corrode or rust the metal. To do so, remove the magazine follower and spring and clean all components, taking care to remove carbon deposits from the lips of the magazine and the magazine follower. Wipe components with a lightly oiled cloth and reassemble.

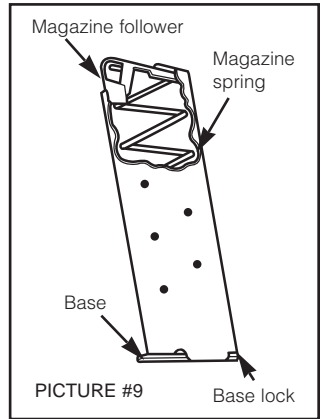
1. Removable baseplate magazine



CAUTION: The magazine spring is under tension and could come out causing injury.

To remove the base, push in the base lock which sticks out through a hole in the base, and slide the base off towards the front of the magazine. Then remove the base lock by sliding it towards the front of the magazine. The spring and follower can now be removed through the bottom of the magazine. (See picture #9)

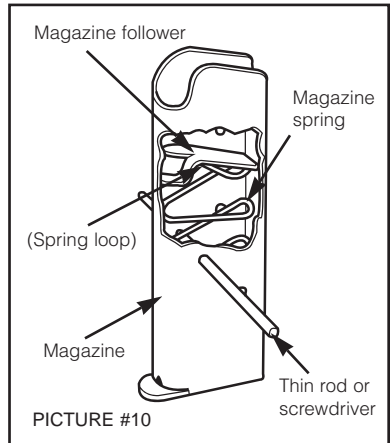
To reassemble this magazine, insert the follower and spring through the bottom of the magazine. Be sure that the top coil of the spring is installed towards the front of the magazine. Compress the spring and slide the base lock under the two tabs on the bottom of the magazine. Depress the base lock and slide the base under the two tabs and towards the rear of the magazine. Carefully align the protrusion on the base lock with the hole in the base until the base lock sticks out through the hole.



2. Non-removable baseplate magazine

To remove this magazine follower and spring, depress them with a piece of wood, such as a pencil, approx. two to two one-half inches into the magazine and insert a thin rod or small screwdriver through the lower of the front two witness holes in the magazine tube. This will retain the spring under tension. (see picture #10)

Turn the magazine upside down and lightly tap it so that the follower falls away from the spring; lift out the follower from the magazine body. Push down on the spring to take up the spring tension, remove the thin rod and carefully allow the spring to extend, then remove it completely from the magazine tube.



To reassemble this magazine, place the spring correctly oriented, i.e. with the uppermost loop pointing forward into the magazine tube, compress the spring and insert a thin rod to hold the spring under tension. Place the follower in the magazine and take up the spring tension by removing the thin rod and allow the spring to push the follower up and seat it against the feed lips.



DAMAGED, NON-STANDARD, OR IMPROPERLY ASSEMBLED MAGAZINES SHOULD NEVER BE USED. THEY CAN CAUSE A MALFUNCTION, SERIOUS INJURY OR DEATH.

Care and Cleaning of the Pistol

BEFORE CLEANING, BE CERTAIN THE HANDGUN AND ITS MAGAZINE CONTAIN NO CARTRIDGES.

At regular intervals, after firing or whenever the handgun has been exposed to sand, dust, extreme humidity, condensation, immersion in water, or other adverse conditions, disassemble, clean and oil it. Proper periodic maintenance is essential to the reliable functioning of any firearm.

To clean the handgun, proceed as follows:

1. Disassemble (field-strip) the handgun to the extent described on page 13.
2. Using a cleaning rod, run a patch wetted with a high quality gun cleaning solution through the bore several times. Then attach a bristle brush wetted with a high quality gun cleaning solution to the rod and run it back and forth the full length of the bore and chamber. Clean bore with dry patches and examine. Bore fouling can contribute to reduced accuracy, and grease accumulation in the chamber can interfere with proper feeding of cartridges from the magazine.
3. Using a high quality cleaning solvent on a clean patch or bristle brush, remove powder residue from all components of the pistol. After cleaning, run a dry patch through the bore, then follow with a patch that is very lightly oiled. Wipe all surfaces clean with cloth, then wipe all surfaces with a patch or cloth that has been very lightly oiled.
4. NOTE: Only a light application of oil is needed to provide adequate lubrication of moving parts and to prevent rust. Excess accumulations of oil tend to attract particles of dust and dirt and may congeal in cold weather which can interfere with the safe and reliable function of the handgun.



LUBRICATION

FIRING A HANDGUN WITH OIL, GREASE, OR ANY OTHER MATERIAL EVEN PARTIALLY OBSTRUCTING THE BORE MAY RESULT IN DAMAGE TO THE HANDGUN AND SERIOUS INJURY TO THE SHOOTER AND THOSE NEARBY. DO NOT SPRAY OR APPLY LUBRICANTS DIRECTLY ON AMMUNITION. IF THE POWDER OF A CARTRIDGE IS AFFECTED BY THE LUBRICANT, IT MAY NOT BE IGNITED, BUT THE PRIMER FIRING MAY PUSH THE BULLET INTO THE BORE WHERE IT MAY BE LODGED. FIRING A SUBSEQUENT BULLET INTO THE OBSTRUCTED BORE MAY DAMAGE THE HANDGUN AND CAUSE SERIOUS INJURY OR DEATH TO THE SHOOTER AND THOSE NEARBY. USE LUBRICANTS PROPERLY. YOU ARE RESPONSIBLE FOR THE PROPER CARE AND MAINTENANCE OF YOUR FIREARM.



WARNING!

BEFORE SHIPPING ANY FIREARM, BE ABSOLUTELY CERTAIN THAT IT AND ITS MAGAZINE ARE UNLOADED.

DO NOT SHIP CARTRIDGES WITH A FIREARM.

IMPROPER FITTING PARTS MAY RESULT IN A DANGEROUS MALFUNCTION, DAMAGE TO THE FIREARM, AND INJURY TO THE SHOOTER AND OTHER PERSONS.

It is the responsibility of the purchaser to be absolutely certain that parts ordered from the factory are correctly fitted and installed. The purchaser and installer of parts must accept full responsibility for the correct adjustment and functioning of the firearm after such installation.

Ordering Parts and Accessories

To order parts by Part Name and Part Number refer to page 22 and page 23. Please refer to the separate order sheet and price list included with the firearm packaging to place orders. Orders for Auto-Ordnance parts can be processed by mail, fax or Internet. We do not process phone orders. Prices and availability can be verified by phone. Then orders must be mailed or faxed. When ordering specify the model, caliber, finish and entire serial number of the firearm - including all letters and numbers. Note: many parts are common to all firearms regardless of model finish.

Order accessories by Item Name and Item Number. All parts and accessory orders should be mailed or faxed to:

Kahr Arms - Parts Dept.
P.O. Box 220, Blauvelt, NY 10913
Phone: (845) 353-7770 / Fax: (845) 353-7833

Online ordering for parts and accessories at www.tommygun.com.

Payment for Parts and Accessories

All orders require prepayment - by check, money order or credit card authorization. Parts and accessories can be ordered online at www.tommygun.com. KAHR ARMS cannot offer individuals open account or COD requests. Include \$5.00 for shipping and handling on parts orders totaling \$50.00 or less. Include \$8.00 on parts orders totaling more than \$50.00 except as noted on price sheet.



WARNING!

**TO AVOID PERSONAL INJURY A FIREARM CONTAINING MODIFIED,
BROKEN, BADLY WORN OR MALFUNCTIONING PARTS
SHOULD NEVER BE FIRED!**

Shipping Firearms For Service

Auto-Ordinance handguns returned to the factory for service or repair should be sent to:

K.A.I.
130 Goddard Memorial Drive
Worcester, MA 01603

Contact Kahr Arms Customer Service Dept. at: (508) 795-3919 to receive a "Return Authorization" Number before shipping a firearm to the factory.

Firearms shipped to the factory must be sent prepaid. THE KAHR SERVICE DEPARTMENT CAN NOT ACCEPT COLLECT SHIPMENTS.

The Federal Firearm Control Act does not prohibit an individual from shipping a firearm directly to the manufacturer for service or repair.

However, some states or localities prohibit this. If you live in such a location, have a Federally Licensed Firearms dealer ship the firearm. It will be returned to the dealer after being serviced.

Handguns must be shipped prepaid via UPS AIR or FEDEX. Persons who do not hold a Federal Firearms License are prohibited by federal law from shipping a handgun by mail. Handguns mailed in violation of the law are impounded by the Post Office.

Enclose a letter that includes reference to the factory "Return Authorization" Number, your name, address, telephone number, and serial number and model of the firearm. Describe in detail the trouble you have experienced with your firearm, or the work you wish to have done. Stating only that the firearm "needs repair" is inadequate information. Please enclose copies of any previous correspondence.

Please do not include holsters, custom grips, or accessories with any firearm being shipped to the factory for service.

Service work performed, other than approved Warranty repairs, will carry a minimum charge of \$15.00 plus a \$15.00 return shipping and handling charge.

THE BASIC RULES OF SAFE FIREARMS HANDLING

We believe that Americans have a right to purchase and use firearms for lawful purposes. The private ownership of firearms in America is traditional, but that ownership imposes the responsibility on the firearm owner to use his firearm in a way which will ensure his own safety and that of others. When firearms are used in a safe and responsible manner, they are a great source of pleasure and satisfaction, and represent a fundamental part of our personal liberty.

Firearms do not cause accidents! Firearms accidents are almost always found to have been the result of carelessness, or ignorance on the part of the shooter of the basic rules of safe firearm handling.

The following rules must be observed by firearm users at all times. Safe firearm handling is not just desirable, it is absolutely essential to your safety, the safety of others, and the continuation of firearm ownership and sport shooting as we know it today.

1. ALWAYS TREAT EVERY FIREARM AS IF IT WERE LOADED.

2. LEARN THE MECHANICAL AND HANDLING CHARACTERISTICS OF THE FIREARM YOU ARE USING.

Not all firearms are the same. The method of carrying and handling firearms varies in accordance with the mechanical provisions for avoiding accidental discharge and the various proper procedures for loading and unloading. No person should handle any firearm without first having thoroughly familiarized himself with the particular type of firearm he is using, and with safe firearm handling in general.

3. ALWAYS KEEP THE MUZZLE POINTED IN A SAFE DIRECTION.

Be sure of the bullet stop or area behind your target, even when dry-firing. Always be sure the area beyond your target is safe. Never let the muzzle of a firearm point at any part of your body or at another person. This is particularly important when loading or unloading a firearm. In the event of an accidental discharge, no injury can occur as long as the muzzle is pointing in a safe direction. A safe direction means a direction which will not permit a discharged bullet to strike a person, or to strike an object from which the bullet may ricochet.

A safe direction must take into account the fact that a bullet may penetrate a wall, ceiling, floor, window, etc., and strike a person or damage property. Make it a habit to know exactly where the muzzle of your firearm is pointing whenever you handle it, and be sure that you are always in control of the direction in which the muzzle is pointing, even if you fall or stumble. Keep your finger off the trigger until you are ready to shoot.

4. FIREARMS SHOULD BE UNLOADED WHEN NOT IN USE.

Firearms should be loaded only when you are in the field or on the target range or shooting area, ready to shoot. Firearms and ammunition should be securely locked in a rack, cabinets or a safe when not in use. Ammunition should safely be stored separate from firearms in a locked container. Store your firearms out of sight of visitors and children. It is the firearm owner's responsibility to be certain that children and persons unfamiliar with firearms cannot gain access to firearms, ammunition, or components.

5. BE SURE THE BARREL IS CLEAR OF OBSTRUCTIONS BEFORE SHOOTING.

Even a bit of mud, snow or excess lubricating oil or grease in the bore may cause the barrel to bulge, or even burst on firing, and can cause serious injury to the shooter and bystanders. Be sure that you are using ammunition of the proper caliber and loading designated on the barrel for the firearm you are using. If the report or recoil on firing seems weak, or doesn't seem quite right, **CEASE FIRING IMMEDIATELY**, unload your firearm, and check to be sure that no obstruction has become lodged in the barrel. Never try to shoot out an obstruction! Have the firearm inspected by a professional gunsmith or return it to the factory.

6. BE SURE OF YOUR TARGET BEFORE YOU SHOOT.

Don't shoot unless you know exactly where your bullet is going to strike. Be sure of the bullet stop behind your target, even when dry-firing with an unloaded firearm. If you are in the field hunting, do not fire at a movement or noise. Take the time to be absolutely certain of your target and what is beyond before you pull the trigger.

7. WEAR SHOOTING GLASSES AND HEARING PROTECTORS WHEN YOU SHOOT.

All shooters should always wear protective shooting glasses and adequate hearing protectors when shooting. Exposure to shooting noise can damage hearing, and the use of adequate eye protection when shooting is essential.

8. NEVER CLIMB A TREE OR FENCE WITH A LOADED FIREARM.

Put the firearm down carefully before climbing a fence, and unload it before climbing or descending a tree or jumping over a ditch or other obstruction. Never pull or push a loaded firearm toward yourself or another person. When in doubt always unload your firearm!

9. DON'T SHOOT AT A HARD SURFACE, OR AT WATER.

Bullets can glance off many surfaces like rocks or the surface of water and travel in unpredictable directions with considerable velocity.

10. NEVER TRANSPORT A LOADED FIREARM.

Firearms should always be unloaded before being placed in a vehicle. A suitable carrying case or scabbard with a lock should be used to carry an unloaded firearm to and from the shooting area.

11. NEVER USE ALCOHOLIC BEVERAGES WHEN SHOOTING OR HANDLING FIREARMS.

Don't drink when handling firearms. Handling firearms while under the influence of alcohol in any form, or medications that could affect your judgement or co-ordination, constitutes a criminal disregard for the safety of others.

12. FIREARMS SHOULD BE STORED UNLOADED AND LOCKED IN A LOCATION THAT IS BOTH SEPARATE FROM THEIR AMMUNITION AND INACCESSIBLE TO CHILDREN AND OTHER UNAUTHORIZED PERSONS.

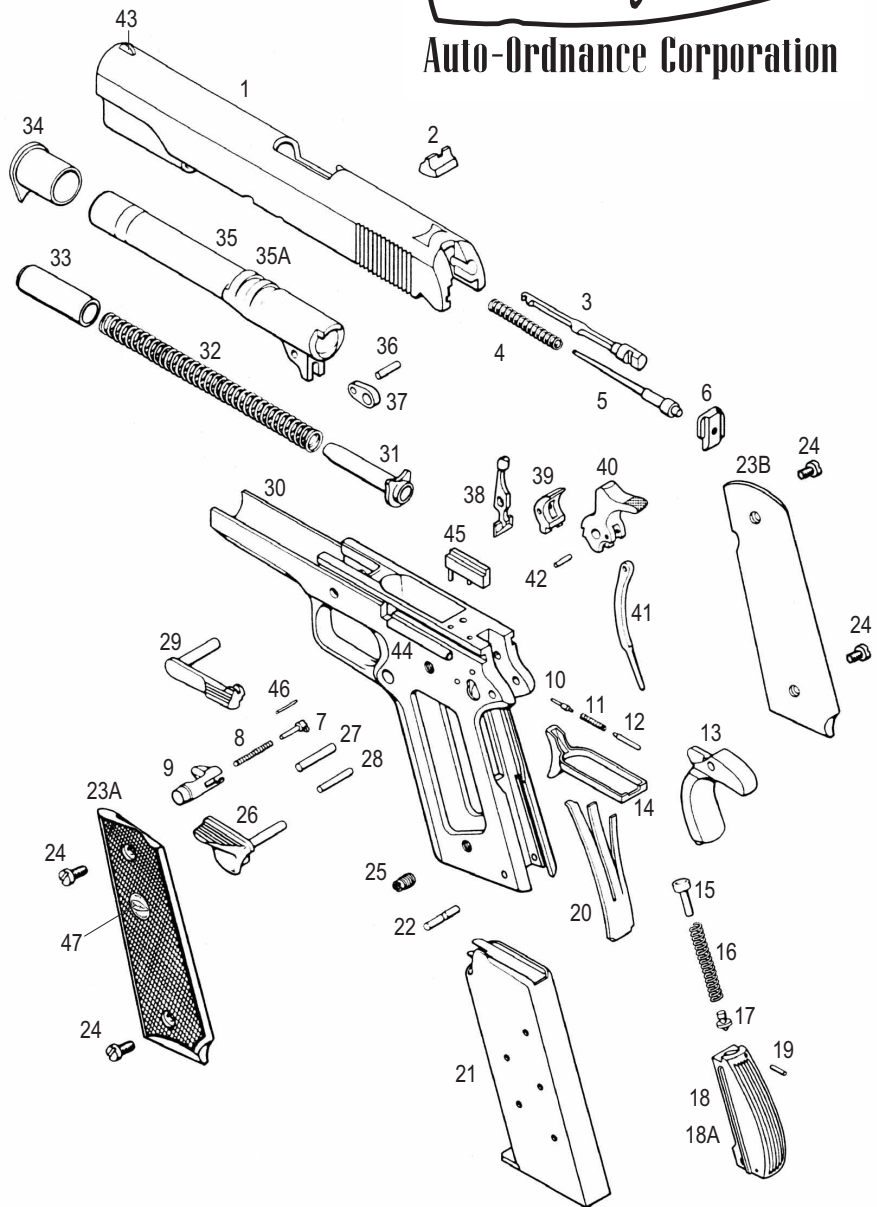
AUTO-ORDNANCE MODELS: 1911PKZ, T1911, 1911C and 1911WGS PARTS LIST

Key	DESCRIPTION	Parts#		Parts#
			32. Recoil Spring	G32
1.	Slide.....	G1	33. Plug	G33
2.	Rear Sight	G2	34. Barrel Bushing.....	G34
3.	Extractor	G3	35. Barrel, 5".....	G35
4.	Firing Pin Spring.....	G4	35A. Barrel, 4.25" (Mid size).....	G35A
5.	Firing Pin	G5	36. Barrel Link Pin.....	G36
6.	Firing Pin Stop Plate	G6	37. Barrel Link	G37
7.	Magazine Catch Lock.....	G7	38. Disconnecter.....	G38
8.	Magazine Catch Spring.....	G8	39. Sear	G39
9.	Magazine Catch	G9	40. Hammer.....	G40
10.	Slide Stop Plunger.....	G10	41. Hammer Strut.....	G41
11.	Plunger Spring.....	G11	42. Hammer Strut Pin.....	G42
12.	Safety Catch Plunger	G12	43. Front Sight.....	G43
13.	Grip Safety	G13	44. Plunger Tube.....	G44
14.	Trigger	G14	45. Ejector	G45
15.	Mainspring Cap	G15	46. Ejector Pin	G46
16.	Mainspring.....	G16	47. Medallion	G47
17.	Mainspring Housing Pin Retainer.....	G17	(Models: T1911, 1911C & 1911WGS)	
18.	Mainspring Housing.....	G18		
18A.	Mainspring Housing with Lanyard Loop	G18A		
19.	Mainspring Cap Pin	G19		
20.	Sear Spring	G20		
21.	Magazine	G21		
22.	Mainspring Housing Pin	G22		
23A.	Grip Left.....	G23		
23B.	Grip Right	G23		
24.	Grip Screw.....	G24		
25.	Stock Screw Bushing	G25		
26.	Thumb Safety	G26		
27.	Hammer Pin	G27		
28.	Sear and Disconnecter Pin	G28		
29.	Slide Stop	G29		
30.	* Frame (Receiver).....	G30		
31.	Recoil Spring Guide	G31		

*FFL DEALERS ONLY
PLEASE SPECIFY MODEL

Thompson®

Auto-Ordinance Corporation



EXPLODED VIEW, Models: 1911PKZ, T1911, 1911C and 1911WGS

Limited One-Year Warranty

Thompson Rifles & Auto-Ordnance Handguns

This "LIMITED ONE-YEAR WARRANTY" has been drafted to comply with the MAGNUSON-MOSS WARRANTY FEDERAL TRADE COMMISSION IMPROVEMENT ACT which is effective for goods manufactured on or after December 31, 1976.

KAHR ARMS / AUTO-ORDNANCE warrants that this firearm was originally manufactured free of defects in material or workmanship. For one year from date of purchase of the original purchaser, KAHR ARMS agrees to correct any defect in this firearm for the original purchaser by repair or replacement (with same or comparable quality model). A service and/or handling charge may be applied.

THIS WARRANTY IS VOID IF THE FIREARM HAS BEEN ABUSED, MISUSED, DAMAGED BY ACCIDENT, FIRED WITH HANDLOADED AND/OR RELOADED OR IMPROPER AMMUNITION OR WITH AN OBSTRUCTION IN THE BARREL, OR DAMAGED THROUGH FAILURE TO PROVIDE REASONABLE AND NECESSARY MAINTENANCE AS DESCRIBED IN THIS MANUAL. THIS WARRANTY DOES NOT APPLY TO NORMAL WEAR OF ANY PARTS, INCLUDING METAL, WOOD, PLASTIC, RUBBER AND OTHER MATERIAL'S SURFACE FINISH OR IF UNAUTHORIZED REPAIR AND/OR ALTERATION HAS BEEN PERFORMED.

The terms of the Warranty cannot be changed except in writing by an officer of KAHR ARMS.

Wholesalers and Dealers (unless a KAHR ARMS authorized Warranty repair station) are not authorized to make any Warranty repair or adjustment on behalf of KAHR ARMS.

This Warranty gives only the original retail purchaser specific legal rights. Other rights may also be available which may vary from state to state.

Should repair be required for this firearm, refer to page 19 Shipping Firearms For Service. Send the unloaded firearm, prepaid via UPS AIR or FEDEX for handguns or UPS GROUND for rifles, including the "Return Authorization" Number to:

K.A.I.
130 Goddard Memorial Drive
Worcester, MA 01603

E-mail Address: kahracs1@aol.com

Web Address: www.kahr.com / www.tommygun.com