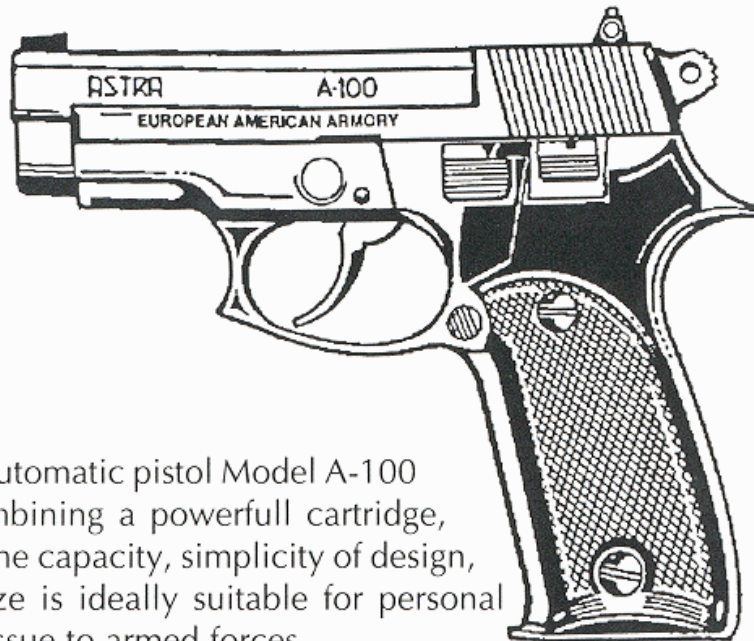


Astra A-100



The Astra semi-automatic pistol Model A-100 is a weapon combining a powerful cartridge, excellent magazine capacity, simplicity of design, handling, and size is ideally suitable for personal defense and for issue to armed forces.

Specifications

Trigger	Single/Double Action	Height	5.6"
Caliber	45 ACP, 40 SW or 9 mm	Width	1.4"
Magazine Capacity	17 cartridges/9 mm	Barrel Length	4"
.....	10 cartridges/40 S&W	Unloaded Weight	34 oz.
.....	9 cartridges/45 ACP	Overall length	7.5"

NOTICE

PISTOLS, REVOLVERS, RIFLES AND SHOTGUNS ARE CLASSIFIED AS FIREARMS OR DANGEROUS WEAPONS and are sold by us with the specific understanding that we are not responsible in any manner what-so-ever for their safe handling or resale under local laws and regulations.

EAA shall not be responsible in any manner whatsoever for malfunctioning of the firearm, for physical injury or for property damage resulting in whole or in part from (1) intentional or negligent discharge, (2) improper or careless handling, (3) unauthorized modifications, (4) defective, improper, hand-loaded, or reloaded ammunition, (5) corrosion, (6) neglect, or (7) other influences beyond our direct and immediate control. This limitation applies regardless of whether liability is asserted on the basis of contract, negligence or strict liability(including any failure to warn). Under no circumstance shall EAA be liable for incidental or consequential damages, such as loss of use of property, commercial loss and loss of earnings or profits.

READ YOUR OWNER'S MANUAL

This manual contains important warnings which must be understood BEFORE using this firearm. Always keep it with the firearm. When you lend, give or sell the firearm, be sure the manual goes with it. You can get a copy of this manual from EAA on request.

SAFETY PROCEDURES

1. We recommend that you get competent firearms instruction in safe handling before using this firearm. Please ask your dealer. All guns can be dangerous if carelessly used. Remember that the gun user is the primary "safety" and to depend on mechanical devices is to be only half safe.
2. DO NOT LOAD THIS PISTOL UNTIL YOU UNDERSTAND THE SAFETY.
Decocking lever: By pressing down it permits the lowering of the hammer into the safety notch without touching the trigger.
Automatic Firing Pin Safety: This safety which keeps the firing pin blocked while the trigger is not depressed.
Hammer Safety: If your thumb were to slip accidentally off the hammer while you are cocking it, there is a special device which will prevent the hammer from striking the firing pin. If you are not pulling the trigger.
3. NEVER carry this pistol with a cartridge loaded in the chamber (see loading). Load only the magazine. We recommend that you keep the safety in the safe position and always be sure the chamber is unloaded until you are ready to fire.
4. Never point this pistol at anything that is not your intended target even if the gun is unloaded.
5. When loading, cleaning, unloading, or handling always be sure the muzzle is pointed in a safe direction .
6. Never assume that this gun is unloaded. Before handling this pistol remove the magazine and retract the slide to unload any ammunition. Make sure you know the pistol is unloaded before handling. When handling this weapon it is a good idea to keep your fingers away from the trigger until you know for sure that the weapon is full unloaded.
7. You only get one set of ears and eyes so never use a firearm without ear and eye protection. Even if you are not using the firearm and others are, always wear ear and eye protection.

WARNINGS READ THIS AND BE A SAFE SHOOTER

Always keep the muzzle pointed in a safe direction. Treat every gun as if it is loaded... all the time. Never point any firearm loaded or unloaded at anything you do not intend to shoot. Keep your finger off the trigger until you are actually aiming at the target and ready to shoot.

Get instructions from a competent firearms instructor before using any gun.

Never rely on a gun's "safety" to protect you from unsafe gun handling. A safety is only a mechanical device, not a substitute for common sense.

Be certain the gun is unloaded before cleaning.

Never leave a loaded gun unattended.

Store guns and ammunition separately beyond the reach of children.

Don't "test the safety" by pulling the trigger while the safety is on.

Ask yourself what your bullet will hit if it misses the target.

Guns and alcohol or drugs don't mix. Don't take them before or during shooting activities.

Never pull a gun towards you by the muzzle.

Don't climb a tree or cross a fence or ditch with a loaded gun.

If a gun fails to fire when trigger is pulled, keep it pointed at target for at least 30 seconds. Sometimes slow primer ignition will cause a "hang fire" and the cartridge will go off after a short pause.

When receiving a gun always open the action and check that it's unloaded.

Never put your hand over the muzzle of a gun.

Firearms should be unloaded when not actually in use. Load the gun only when on the range preparing to fire, and unload it before leaving the range.

Always wear protective shooting glasses and hearing protection when shooting on the range or in a field or forest.

Spectators should be 10 feet behind and away from the shooter while loading, firing and unloading.

Never leave a gun where it could fall and fire. Never carry any handgun in your pocket, purse or tucked in a belt or waistband. Use a pistol case or a proper holster with safety flap or strap. If you do drop your gun, unload it and check it for proper function before using it again.

Don't alter or modify your gun, and have guns serviced regularly. Don't try to change your gun's trigger pull, because alterations of trigger pull usually affect sear engagement and may cause accidental firing.

Always wear fluorescent orange vest, hat or jacket when in the woods or fields.

Never let water, snow, mud or other material enter barrel.

Always make certain that your backstop is adequate to stop your bullet. Remember your bullet can carry more than one mile.

Never shoot at hard surfaces like rock or water as the bullet can ricochet and travel in any direction and strike you or a person or object you cannot see.

After cleaning always check to be sure that no cleaning patch or other obstruction remains in the bore or chamber.

HOME SAFETY IS PROBABLY YOUR BIGGEST CONCERN We suggest the following gun lock: Master Gun Lock is a good gun lock. It works on most Firearms. Master gun locks are available in Gun Shops and sporting goods departments. For more information write: Master Gun Locks; Master Lock Company, P.O. Box 10367, Milwaukee, WI. 53210. After all you have invested this much in your new gun, now invest a little more in your families safety.

USED FIREARMS - If you got your EAA firearm as a used gun, BEFORE USING IT you should unload it and check all its functions to be sure it works correctly. Firearms are some times altered to work incorrectly, or parts may be removed, lost or replaced with incorrect parts. First, unload it and check it yourself and then take it to a good gunsmith who knows EAA\Astra firearms, and have him check it over.

Write to us concerning any items or circumstances which you don't understand and which might relate to your safety and the operation of any of our products.

WARNING

ANY BORE OBSTRUCTION, EVEN IF IT IS ONLY PARTLY BLOCKED, MAY CAUSE THE GUN TO BLOW UP IF IT IS FIRED, OR MAY CAUSE DAMAGE TO THE GUN SUCH AS A BULGED BARREL. TO AVOID INJURY OR DEATH TO THE SHOOTER OR BYSTANDERS, CHECK THE BARREL BEFORE SHOOTING OR IF A SHOT DOES NOT SOUND NORMAL.

LOADING INSTRUCTIONS

1. Always use original high quality commercially manufactured ammunition in good condition. We recommend that you use full metal jacketed (FMJ). Hollow point ammo can sometimes cause feeding problems in auto pistols. If you find one brand that works well stick with it. Avoid the use of military surplus reloaded, or hot loaded ammo. **The use of reloaded, +P ammunition factory, or hand loaded ammunition will void the warranty.**

2. Before loading be sure the pistol is fully unloaded.

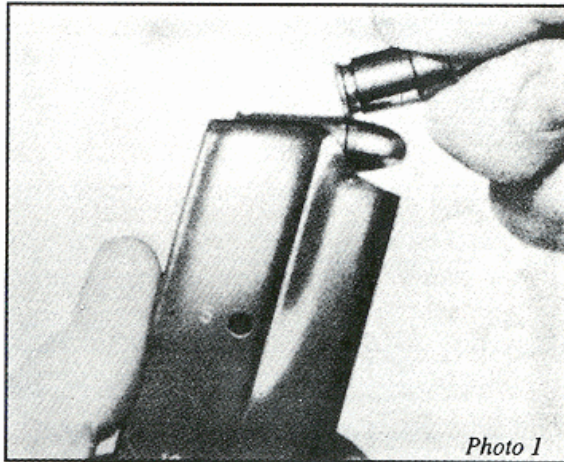
3. Depress the magazine catch button and remove the magazine.

4. Load the magazine with the cartridges as specified above. (Photo 1)

5. Insert the magazine in the receiver until the magazine catch secures it in the receiver with a click. Avoid slamming the magazine into the pistol. Handle the magazine carefully when loading. Any damage by dropping may bend the magazine lips which can cause misfeeding.

6. To load the chamber first be sure your fingers are out of the trigger guard. Holding the pistol grip grasp the serrations on the slide with your other hand and pull the slide rearward until it cannot travel any further. Release the slide and allow it to go forward in to the closed position. The slide will automatically strip a cartridge from the magazine and insert it into the chamber. **IMMEDIATELY PUSH THE DE-COCKING LEVER DOWN.** (Photo 2)

7. If you desire to fire push just squeeze the trigger. The pistol will fire semi automatically with every squeeze



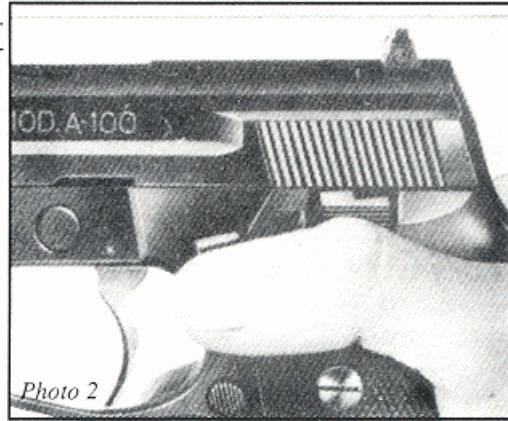
WARNING

Always keep the muzzle pointed in a safe direction! Never attempt to load or unload any firearm inside a vehicle, building, or other confined space (except a properly constructed shooting range). Enclosed areas frequently offer no completely safe direction in which to point the firearm; if an accidental discharge occurs, there is great risk of injury or property damage. Before loading, always clean all, grease and oil from the bore and chamber, and check to be certain that no obstruction is in the barrel. Any foreign matter in the barrel could result in a bulged or burst barrel or other damage to the firearm, and could cause serious injury to the shooter or to others.

WARNING

When you remove the magazine always double check the chamber to insure you have completely unload this firearm. The trigger will operate without a magazine inserted.

of the trigger until the magazine is empty. When the clip is empty the slide will automatically stay open. You may remove the clip and reload it while the slide is held open. Insert the loaded magazine in the pistol, depress the slide stop lever, and the pistol will automatically reload the chamber to fire the next shots. **IF YOU DO NOT WISH TO FIRE THE PISTOL AFTER LOADING UNLOAD IT *IMMEDIATELY*. WE DO NOT RECOMMEND CARRYING, HANDLING, LOADING, OR CLEANING THIS PISTOL WITH A LOADED CARTRIDGE IN THE CHAMBER.**



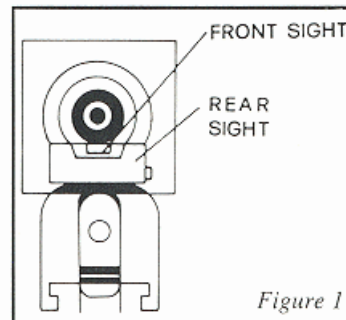
FIRING INSTRUCTIONS

1. Load the magazine and chamber as discussed in loading.

2. Grasp the pistol by the stocks and take aim. Carefully align the front sight and rear sight so that the top surfaces mate at the lower or 6 o'clock position of the black portion of the target. Gently squeeze the trigger for best accuracy. (Fig. 1).

3. Check to be sure you have a safe target and backstop. Never shoot at hard flat surfaces, rocks, water or anything that might make the bullet ricochet. Think about what you will hit if you miss the target.

4. The best accuracy is obtained by squeezing the trigger slowly. Avoid jerking the trigger. Single action trigger firing (Cocking the hammer first) is the most accurate. Double action firing is not as accurate but more effective in a combat situation. Take advantage of the contoured trigger guard of the pistol by aiming and firing with two hands. A two handed hold yields the best accuracy and control.



WARNING

If there is any reason to suspect that a bullet is obstructing the barrel, immediately unload the firearm and look THROUGH the bore. It is not sufficient to merely retract the slide and look in the chamber. A bullet may be lodged some distance down the barrel where it cannot easily be seen. If a bullet is in the bore, DO NOT ATTEMPT TO SHOOT IT OUT WITH ANOTHER CARTRIDGE, OR ATTEMPT TO BLOW IT OUT WITH A BLANK CARTRIDGE OR CARTRIDGE FROM WHICH THE BULLET HAS BEEN REMOVED. SUCH TECHNIQUES CAN GENERATE EXCESSIVE PRESSURE, WRECK THE FIREARM, AND CAUSE SERIOUS PERSONAL INJURY. If the bullet can be removed with a cleaning rod, clean any unburned powder grains from the bore, chamber, and mechanism before resuming shooting. If the bullet cannot be dislodged by tapping it with a cleaning rod, take the firearm to a gunsmith.

WARNING

While shooting, should your firearm develop a mechanical malfunction or binding or spitting powder gas, or if a cartridge primer is punctured or a cartridge case is bulged or ruptured, or if the report on firing does not sound quite right, STOP SHOOTING IMMEDIATELY-UNLOAD THE FIREARM - do not try one more shot. Take the firearm AND THE AMMUNITION to a gun smith for examination. Do not assume that the pistol is empty merely because the slide remains open. An unfired cartridge or fired cartridge case jammed between the slide and barrel can prevent the slide from closing. Always look in the chamber to make sure! Should a jam occur, clear it as follows: While keeping the muzzle pointed in a safe direction remove the magazine. Pull back the slide and lock it to the rear by pushing up the slide release. The jammed cartridge or case can now be removed by shaking the pistol or by picking it out with your fingers.

FIELD STRIPPING INSTRUCTIONS

1. Unload the magazine and visually check to be sure the chamber is unloaded.

2. Retract the slide lock it back with the retractor.

3. Turn the take down latch down .(photo 3)

4. By depressing the slide retractor down, the slide can be guided forward and off the receiver.

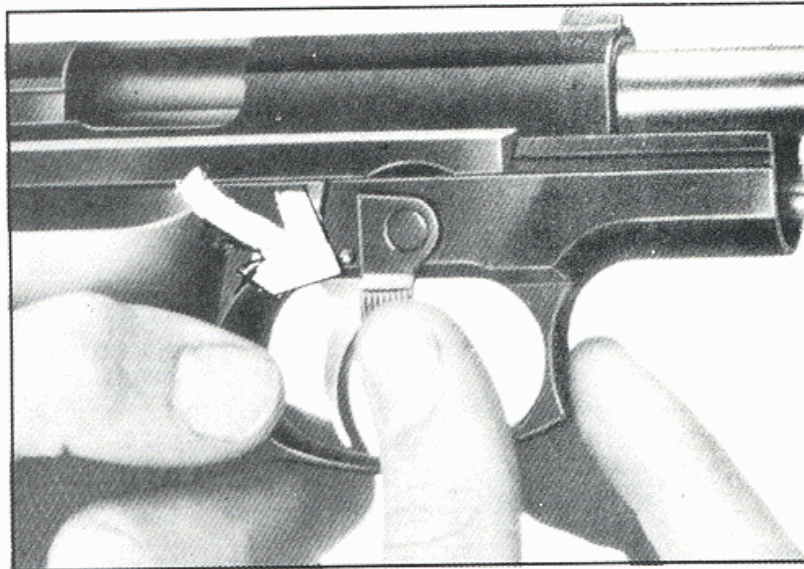


Photo3

WARNING

Before you begin to disassemble your pistol, always double-check to make sure it is unloaded. After cleaning always check to be sure that no cleaning patch or other obstruction remains in the bore or chamber!

5. With the slide upside down retract the recoil spring so that the recoil spring guide can be disengaged from its retaining slot in the barrel lug. The barrel may now be removed from the slide for cleaning.

6. We do not recommend any further disassembly of this pistol unless done by a qualified gunsmith.

CLEANING AND MAINTENANCE

1. Materials needed to clean this pistol are a pistol cleaning rod, cotton bore patches, brass bore brush, powder solvent, toothbrush, and good quality gun oil.

2. Field strip the pistol as discussed in the instructions.

3. Using the bore brush with powder solvent scrub the barrel and chamber to remove any powder and lead residue in the bore. Follow the bore brush with a swabbing in the bore with cotton patches soaked in solvent. After swabbing with solvent coat a cotton patch with gun oil to coat and protect the bore from rust and corrosion.

4. Any powder fowling on the receiver or breech face of the slide can be easily cleaned with the toothbrush and powder solvent.

5. All external surfaces should be wiped down with a light coat of rust preventative. Avoid using too much oil as dust and debris can get trapped in the oil creating a gum that in time will cause misfires.

6. Avoid prolonged contact of the blue steel parts with the powder solvent. Be sure to wipe away all excess solvent. Under certain conditions powder solvent can dissolve bluing.

WARNING: The actual firearm does not contain any lead; however, it does fire ammunition containing lead or lead compounds known to the State of California to cause cancer, birth defects and/or reproductive toxicity. Those who discharge a firearm, stand near someone who discharges a firearm or cleans firearms are hereby warned of the hazards and dangers presented by lead and lead compounds and should take protective health measures.

LIFE TIME LIMITED WARRANTY

All EAA guns are warranted to the original retail customer for life from date of purchase against defects in material and workmanship. All parts and labor or replacement (at our option) are covered.

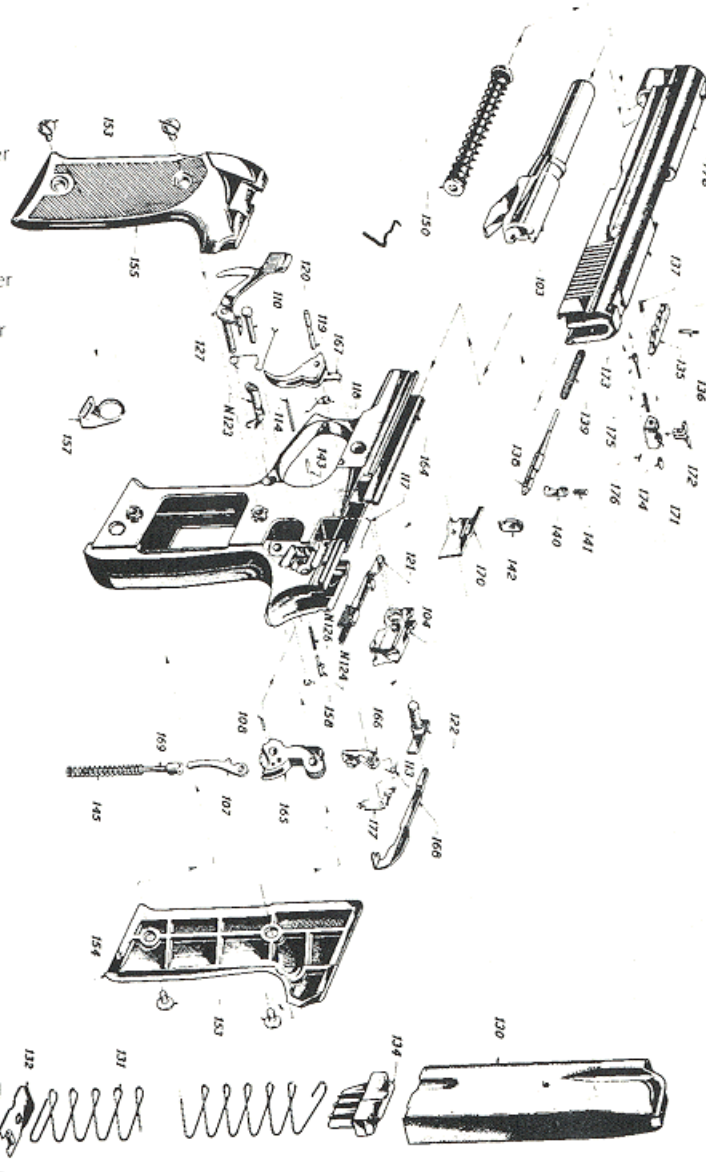
Transportation to and from our repair facilities, damage caused by failure to perform normal maintenance, sales outside the United States, damage due to use of high velocity, high pressure, reloaded or other nonstandard ammunition, or any unauthorized repair, modification, misuse, abuse, or alternation of the product is not covered by this Limited Warranty.

Any implied warranties, including the implied warranties of merchantability and fitness for a particular purpose, are limited to one year from date of original retail purchase. Consequential or incidental damages or expenses, or any other expenses are not covered by this warranty.

To obtain warranty performance send your product with proof of retail purchase, freight prepaid to: E.A.A., 3855 North U.S. Highway 1, Cocoa, Florida 32927.

PARTS OF PISTOL MODEL A-100

- 103 Barrel
- 104 Barrel stop
- 107 Hammer Strut
- 108 Hammer Strut pin
- 110 Hammer Pin
- 113 Sear Spring
- 114 Sear Pin
- 117 Sear Bar Spring
- 118 Trigger Spring
- 119 Trigger Pin
- 120 Slide Retainer & Hammer Lowering Lever Spring
- 121 Slide Retainer
- 122 Takedown Latch
- 123 Magazine Catch
- 124 Magazine Catch Retainer
- 126 Magazine Catch Spring
- 127 Hammer-lowering Lever
- 130 Magazine
- 131 Magazine Spring
- 132 Magazine Plate
- 133 Magazine Floorplate
- 134 Follower
- 135 Extractor
- 136 Extractor Pin
- 137 Extractor Spring
- 138 Firing Pin
- 139 Firing Pin Spring
- 140 Firing Pin Block
- 141 Firing Pin Block Spring
- 142 Firing Pin Stop Plate
- 143 Sear Spring Stop Pin
- 145 Hammer Spring
- 150 Recoil Spring Set
- 153 Grip Screw
- 154 Right Grip
- 155 Left Grip
- 157 Lanyard Loop
- 158 Lever Snap Ring
- 164 Frame
- 165 Hammer
- 166 Sear
- 167 Trigger
- 168 Sear Bar
- 169 Hammer Spring Guide
- 171 Rear Sight
- 172 Rear Sight Plate
- 173 Rear Sight Screw
- 174 Rear Sight Nut
- 175 Rear Sight Spring
- 176 Rear Sight Bolt
- 177 Cam Firing Pin Block
- 178 Slide



This gun was manufactured to perform properly with the original parts as designed. It is your duty to make sure any parts you buy are installed correctly and that neither replacements nor originals are altered or changed. Your gun is a complex tool with many parts that must relate correctly to other parts. Putting a gun together wrong or with modified parts can result in a damaged gun, danger, and injury or death to you and others through malfunction. Always let a qualified gunsmith work on your gun or at least check any work not performed by a gunsmith.

ALL PARTS ORDERS ARE SUBJECT TO A \$ 7.50 CHARGE FOR SHIPPING AND HANDLING. Please state Model, Caliber, Serial Number, and Finish Color when ordering. Parts and service: EAA 3855 North U.S. Highway 1, Cocoa, Florida 32927