



ARMSCOR

MODEL 1500

USER'S MANUAL

WARNING:

READ THE INSTRUCTIONS AND SAFETY PRECAUTIONS IN THIS MANUAL CAREFULLY BEFORE USING THIS FIREARM.

DISCHARGING FIREARMS IN POORLY VENTILATED AREAS, CLEANING FIREARMS OR HANDLING AMMUNITION MAY RESULT IN EXPOSURE TO LEAD AND OTHER SUBSTANCES KNOWN TO THE STATE OF CALIFORNIA TO CAUSE BIRTH DEFECTS, REPRODUCTIVE HARM AND OTHER SERIOUS PHYSICAL INJURY. HAVE ADEQUATE VENTILATION AT ALL TIMES. WASH YOUR HANDS THOROUGHLY AFTER EXPOSURE.

OPERATING INSTRUCTIONS AND CARE

This rifle is packed with detach gunstock. Insert receiver bolt, before assembly, remove all traces of oil from barrel bore.

ASSEMBLY

* TO ATTACH BARREL- RECEIVER AND GUNSTOCK

Position barrel- receiver assembly on gunstock. Insert receiver take down screw thru the gunstock. Center the barrel- receiver assembly until the barrel –receiver take down screw freely threads into the mating hole of the receiver. Tighten screw.

* TO INSERT BOLT ASSEMBLY INTO RECEIVER

Cock the bolt assembly by gripping the bolt firmly and rotating the cocking cam counter clockwise. Move trigger block lever to “F” position. Depress trigger.

- Align the lug underneath the bolt assembly with the receiver track. Slide the cocked bolt assembly into the receiver. Push fully forward and turn cocking cam clock-wise until lugs properly seated. Release trigger.
- * TO LOAD MAGAZINE BOX
Hold magazine firmly in one hand. With the other hand, position cartridge over magazine lip just forward of notch. Insert cartridge head under ears at rear of magazine. Repeat until five cartridges are loaded.
 - * TO BLOCK TRIGGER
Move trigger block lever to “S” position until latch clicks into place. This locks trigger.
 - * TO ATTACH MAGAZINE BOX
Position magazine open end up and ears rearward. Insert magazine into the opening forward of the trigger guard. Push magazine inward until it engages the magazine lock.
 - * TO OPEN ACTION
Hold bolt handle and rotate cocking cam counter clockwise. As soon as the lugs clear the lug seat, pull bolt handle fully rearwards.
 - * TO CLOSE ACTION
Push bolt handle fully forward and rotate cocking cam clockwise until lugs are properly seated.
 - * TO FIRE
Be sure the rifle is pointed at target. With action closed, move trigger block latch to “F” position. Pull trigger. To repeat, open and close the action. The discharge shell will be ejected and a new cartridge will be fed into the chamber. Pull the trigger. Repeat process as desired until magazine is empty.
 - * TO LOAD FOR SINGLE SHOT

Open action. Insert cartridge directly into chamber with empty magazine in place.

CARE OF RIFLE

* FOR SHORT STORAGE

After firing, swab bore with clean cloth patch wet with approved cleaning solvent. Wipe dry. Apply light coat of oil on barrel bore, cocking cam, bolt and other metal surfaces to keep free of rust.

* FOR LONG STORAGE

After firing, swab bore with clean cloth patch wet with approved cleaning solvent. Wipe dry. Apply a good grade of gun grease or gun oil on barrel bore, cocking cam, bolt and other metal surfaces.

Before firing after storage, remove all traces of gun grease or gun oil from barrel bore.

Check that bore is free of any obstruction! Obstruction will block passage of bullets and may cause injury to barrel or person.

PRODUCT SPECIFICATIONS:

| | |
|-------------------|--|
| Model | M1500 |
| Caliber | 22 MRF |
| Action | Bolt Action |
| Sights | Bead Ramp Front Sight, Rear Sight Block with Windage and Elevation Adjustment |
| Barrel Length | 22.50 inches |
| Magazine Capacity | 5 Rounds |
| Overall Length | 41.125 inches |
| Trigger Pull | 4.0 – 6.0 Lbs |
| Length of Pull | 14.00 inches |
| Drop at Comb | 1.50 inches |
| Drop at Heel | 2.00 inches |
| Weight (empty) | 6.5 lbs (Approx) |

| | |
|--------|---|
| Finish | Blued |
| Barrel | Ordnance Steel, Precision Rifled with Six (6) Grooves Right Hand Twist. |
| Stock | Natural finish Philippine Wood stock, Monte Carlo Style with Plastic Butt Pad Without Check Piece, Checkering and Grip Cap. |

| PART NAME | PART NUMBER |
|-----------|-------------|
|-----------|-------------|

A- BARREL- RECEIVER ASSEMBLY

| | |
|--|--------|
| Barrel | 15001 |
| Barrel Receiver Cross Pin | 15002 |
| Ejector | 15003 |
| Ejector Screw | 15004 |
| Front Sight Ramp | 15005 |
| Front Sight Hold Down Screw | 15006 |
| Rear Sight Base | 15007 |
| Rear Sight Elevating Ramp | 15008 |
| Rear Sight Elevating Ramp Stop Pin | 15008A |
| Rear Sight Elevating Ramp Bearing | 15008B |
| Rear Sight Elevating Ramp Bearing Spring | 15008C |
| Rear Sight Peep Block | 15009 |
| Rear Sight Peep Block Pin | 15009A |
| Rear Sight Peep Block Windage Screw | 15009B |
| Rear Sight Peep Block windage Spring | 15010 |
| Receiver | 15011 |
| Receiver Take Down Screw | 15012 |
| Receiver Take Down Screw Washer | 15013 |

B- BOLT ASSEMBLY

| | |
|------------------|-------|
| Bolt | 15014 |
| Cocking Cam | 15015 |
| Cocking Cam Stud | 15017 |

| | |
|----------------------------------|-------|
| Cocking Cam Stud Retainer | 15018 |
| Cocking Cam Stud Retainer Spring | 15019 |
| Extractor Left Hand | 15020 |
| Extractor Right Hand | 15021 |
| Extractor Plunger | 15022 |
| Extractor Spring | 15023 |
| Firing Pin | 15024 |
| Firing Pin Spring | 15025 |
| Firing Pin Spring Retainer Pin | 15026 |
| Firing Pin Spring Follower | 15027 |
| Firing Pin Cross Pin | 15028 |
| Hammer | 15029 |

C- TRIGGER HOUSING ASSEMBLY

| | |
|-----------------------------|-------|
| Magazine Catch with Insert | 15030 |
| Magazine Catch Pivot Pin | 15031 |
| Magazine Catch Stop Pin | 15032 |
| Safety Latch | 15033 |
| Safety Latch Bearing | 15034 |
| Safety Latch Bearing Spring | 15035 |
| Safety Latch Pivot Pin | 15036 |
| Safety Latch Button | 15037 |
| Sear | 15038 |
| Sear Pivot Pin | 15039 |
| Sear Spring | 15040 |
| Sear Stop Pin | 15041 |
| Trigger | 15042 |
| Trigger Pivot Pin | 15043 |
| Trigger Spring | 15044 |
| Trigger Stop Pin | 15045 |
| Trigger Housing | 15046 |

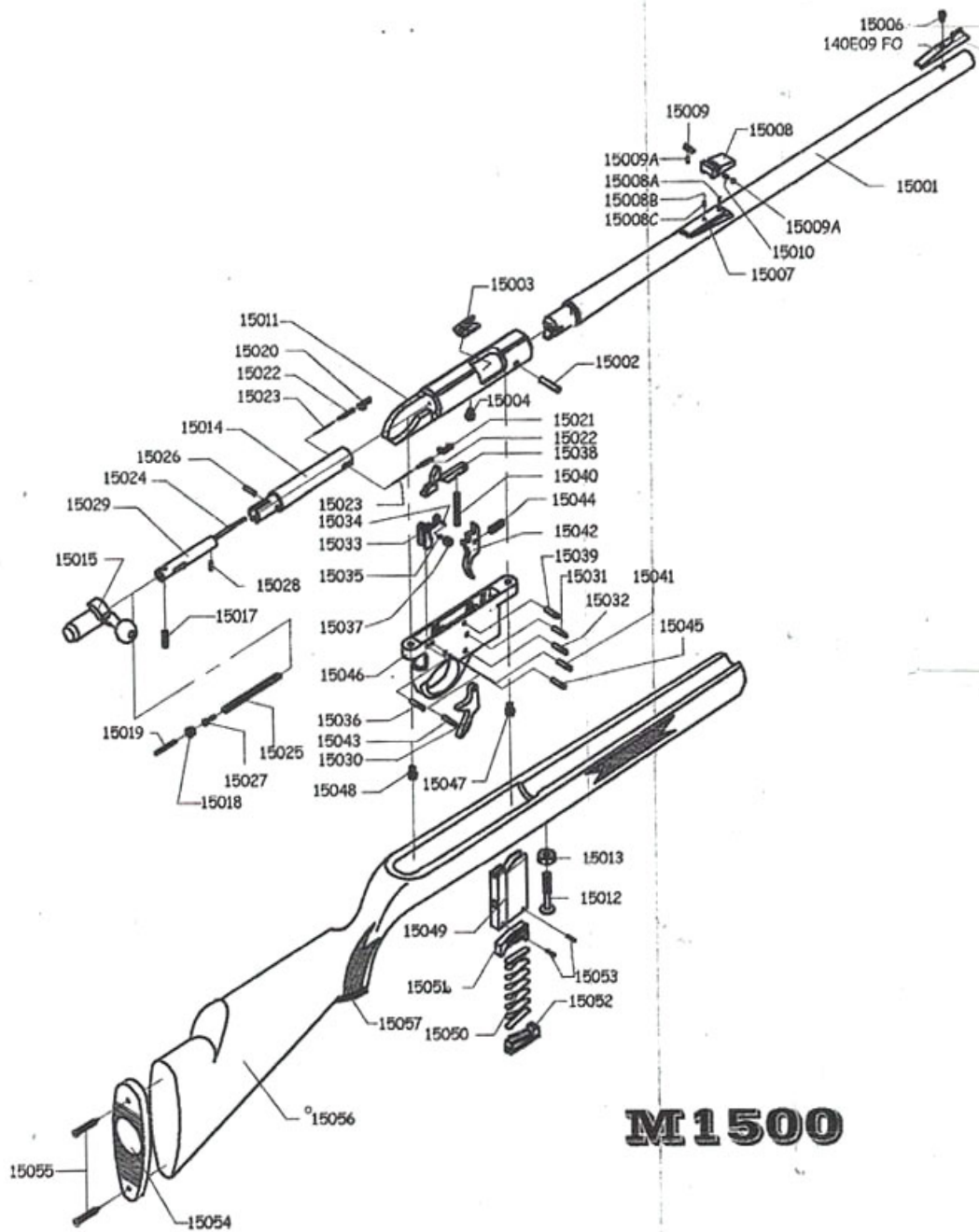
| | |
|---|-------|
| Trigger Housing Hold Down Screw (front) | 15047 |
| Trigger Housing Hold Down Screw (rear) | 15047 |

D- MAGAZINE BOX ASSEMBLY

| | |
|------------------------------------|-------|
| Magazine Box | 15049 |
| Magazine Spring | 15050 |
| Magazine Spring Follower | 15051 |
| Magazine Spring Retainer | 15052 |
| Magazine Spring Retainer Cross Pin | 15053 |

E- GUNSTOCK ASSEMBLY

| | |
|---------------------------|-------|
| Butt Pad (plastic) | 15054 |
| Butt Pad Retainer Screws | 15055 |
| Gun Stock | 15056 |
| Grip Plate | 15057 |
| Grip Plate Retainer Screw | 15058 |



M1500